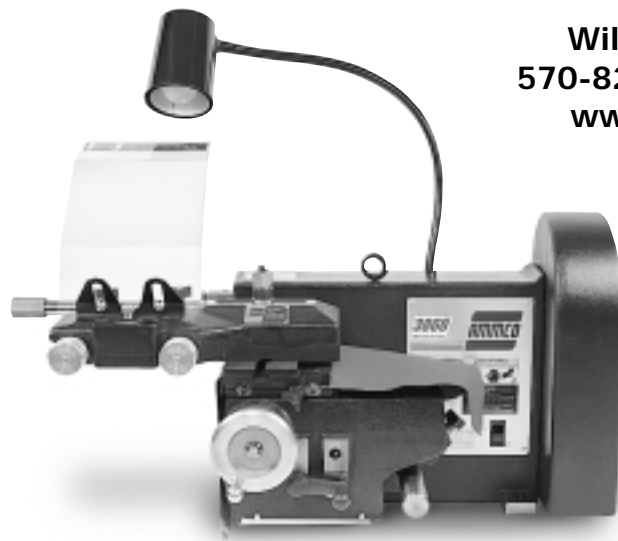




# 3850, 3860 Drum & Disc Brake Lathes

PANZITTA SALES & SERVICE  
72 George Avenue  
Wilkes-Barre, PA 18705  
570-822-6720 800-822-6720  
[www.panzittasales.com](http://www.panzittasales.com)



## *Parts Identification*

READ these instructions before placing unit in service. KEEP these and other materials delivered with the unit in a binder near the machine for ease of reference by supervisors and operators.

**HENNESSY INDUSTRIES, INC.**

1601 J. P. Hennessy Drive, LaVergne, TN USA 37086-3565 615/641-7533 800/688-6359

HENNESSY INDUSTRIES INC. Manufacturer of AMMCO®, COATS® and BADA® Automotive Service Equipment and Tools.

Manual Part No.: 940942 00

Revision: 05/01

# Parts Identification

**PANZITTA SALES & SERVICE**  
72 George Avenue  
Wilkes-Barre, PA 18705  
570-822-6720 800-822-6720  
[www.panzittasales.com](http://www.panzittasales.com)

# Parts Identification

## Table of Contents

Mainframe Assembly	4 - 5
Electrical Schematic	.5
Lathe Assembly	.6 - 7
Twin Cutter & Safety Shield	.8 - 9
Drum Boring Bar Assembly (3860 ONLY)	.8 - 9
Crossfeed Assembly	.10 - 11

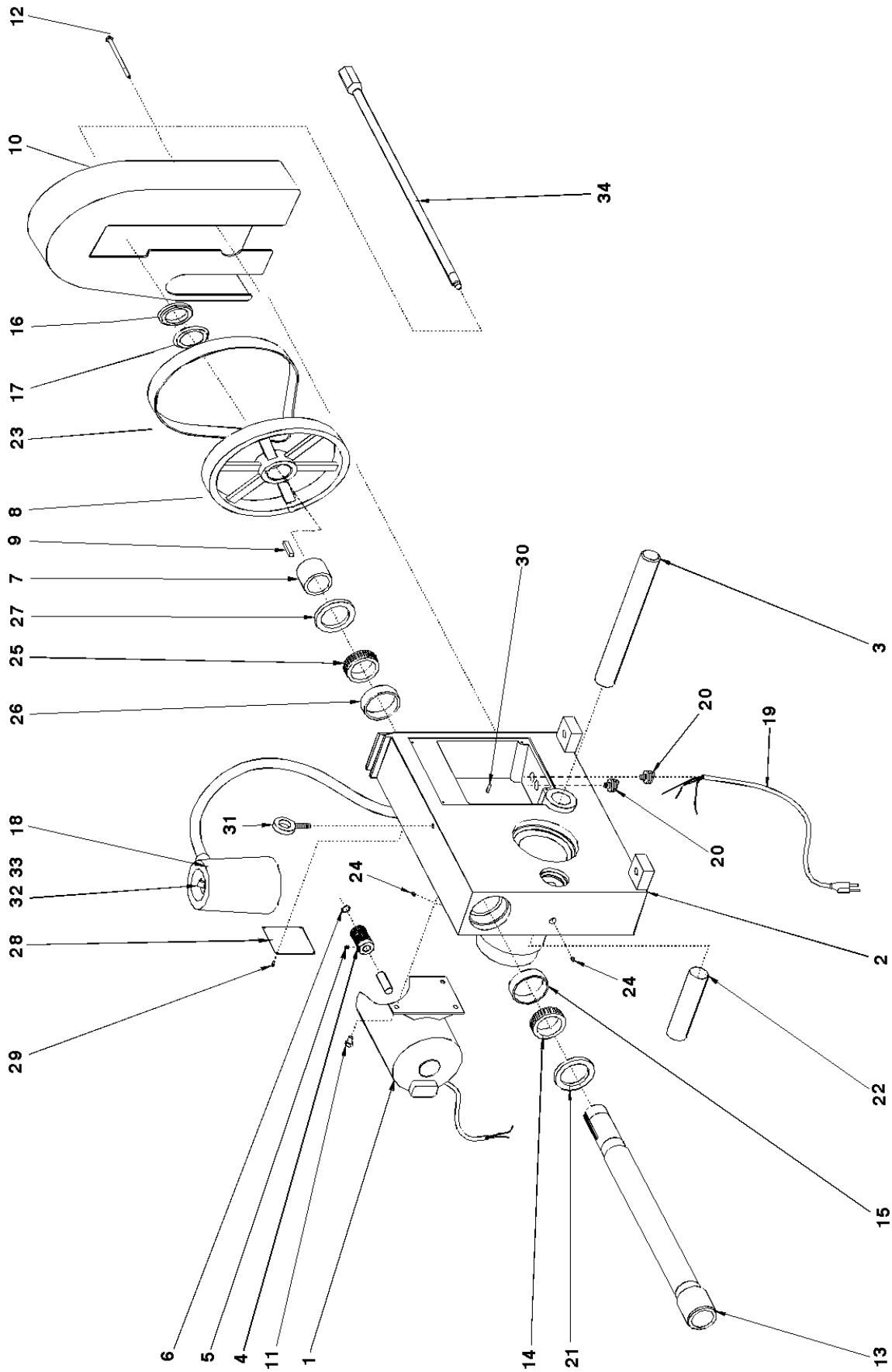
## Parts Identification

The following pages include full parts breakdowns with exploded view illustrations to help with ordering replacement or spare parts. Assemblies are noted where it is recommended that individual parts not be ordered separately. These parts are available only as assemblies because some parts are staked, pinned, or press fitted, then drilled, machined, or bored. Close tolerances must be maintained in assembly. Every effort is made to supply accurate exploded views, however, due to interim changes in manufacturing operations, some units may not be exactly as illustrated.

**PANZITTA SALES & SERVICE**  
72 George Avenue  
Wilkes-Barre, PA 18705  
570-822-6720 800-822-6720  
[www.panzittasales.com](http://www.panzittasales.com)

# Parts Identification

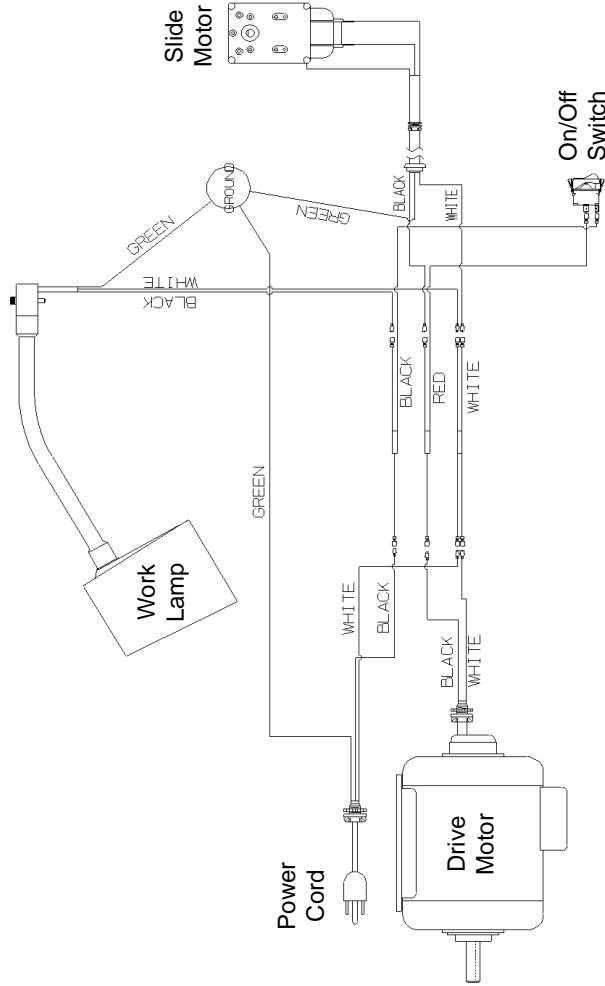
## Mainframe Assembly



\*Not Shown - Motor Chipshield 3860 Only

# Parts Identification

## Electrical Schematic



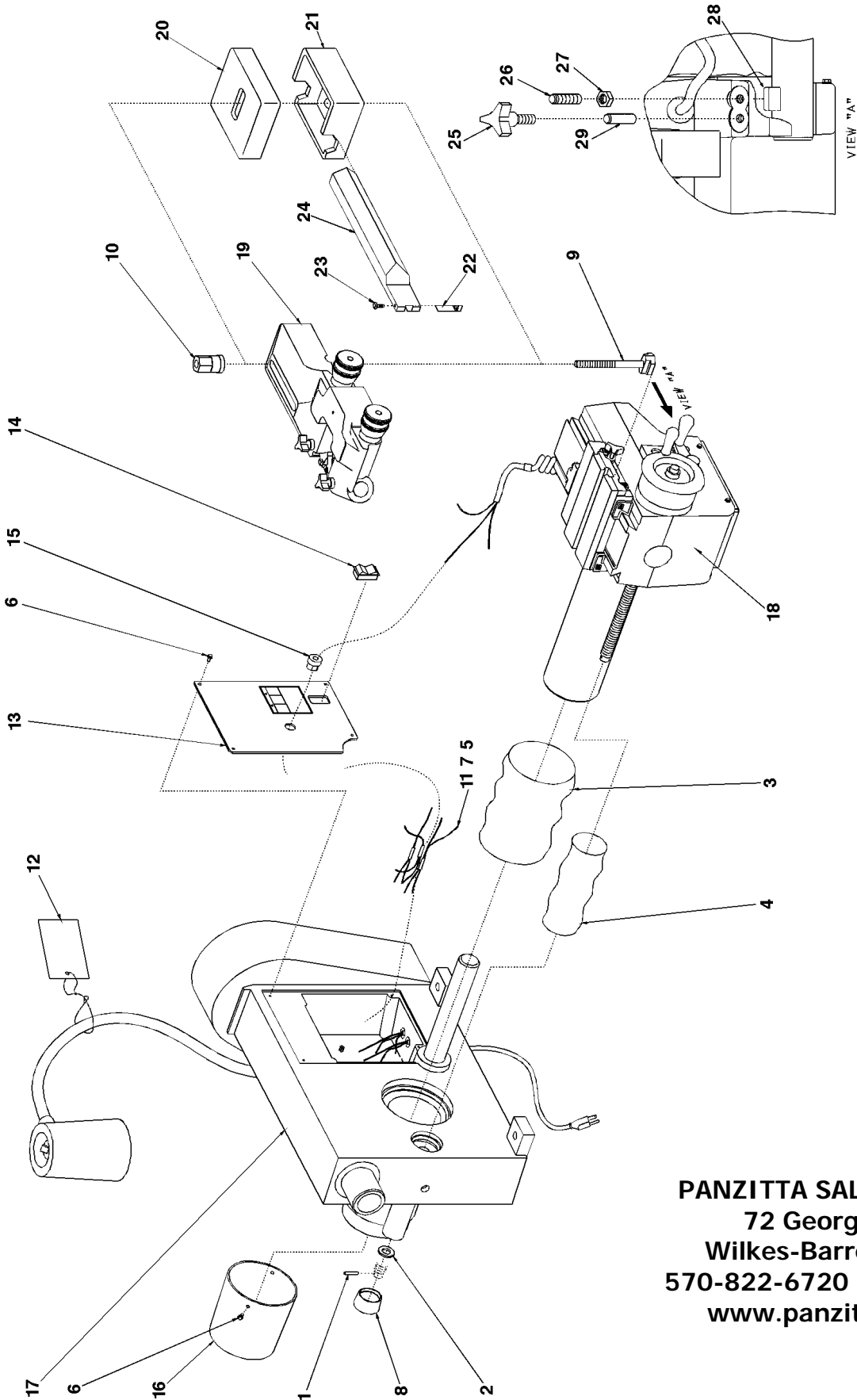
**PANZITTA SALES & SERVICE**  
 72 George Avenue  
 Wilkes-Barre, PA 18705  
 570-822-6720 800-822-6720  
[www.panzittasales.com](http://www.panzittasales.com)

## Mainframe Assembly

ITEM NO.	QTY	DESCRIPTION
1	29266	Motor, Drive
2	29200	Mainframe
3	29163	Bar, Guide
4	29645	Sheave, Motor
5	29194	Screw, 1/4-20x.25 Hex Socket Head Cap
6	29235	Ring, Retaining, Internal
7	29169	Spacer
8	29644	Sheave, Spindle
9	29203	Key, Square
10	29640	Cover, Pulley
11	29212	Screw, 5/16-18x.5 Hex Flat Head
12	29232	Screw, 1/4-20 Flat Head Whiz Lock
13	29186	Spindle
14	25705	Cone, Bearing
15	25706	Cup, Bearing
16	6980	Nut, Adjusting, Spindle Bearing
17	6981	Ring, Lock, Spindle Bearing
18	29236	Lamp Assembly
19	29239	Power Cord
20	25783	Strain Relief
21	25704	Seal
22	29164	Tube, Protector, Rotor Feed
23	29646	Belt
24	100305	Fitting, Grease
25	25710	Cone, Bearing
26	25711	Cup, Bearing
27	25709	Seal
28	29244	Plate, Serial
29	306	Screw, Drive
30	6824	Screw, 8-32x1 Slot Fillister Head
31	29282	Bolt, Eye
32	22763	Switch, Lamp
33	22764	Dust Boot
34	29184	Draw Bar

# Parts Identification

## Lathe Assembly



**PANZITTA SALES & SERVICE**  
72 George Avenue  
Wilkes-Barre, PA 18705  
570-822-6720 800-822-6720  
[www.panzittasales.com](http://www.panzittasales.com)

# Parts Identification

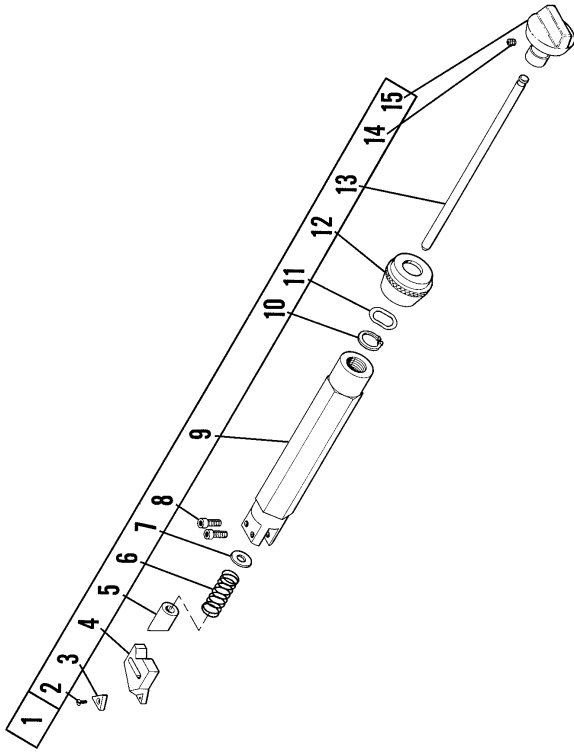
**PANZITTA SALES & SERVICE**  
**72 George Avenue**  
**Wilkes-Barre, PA 18705**  
**570-822-6720 800-822-6720**  
**www.panzittasales.com**

## Lathe Assembly

PART			
ITEM NO.	QTY	DESCRIPTION	
1	29181	1	Pin
2	29217	1	Washer
3	29191	1	Crossfeed Boot & Retaining Ring Assembly
4	29190	1	Lead Screw Boot & Retaining Ring Assembly
5	29252	1	Wiring Harness, 3-Wire Black
6	29227	6	Screw, 8-32 Unc x.38 Hex Washer Head
7	29157	1	Wiring Harness, 4-Wire
8	29216	1	Cap Plug, Protect Tube
9	29259	1	Bolt, T-Slot, 1/2
10	11227	1	Nut, Self-Alignment
11	29155	1	Wiring Harness, 3-Wire Red
12	3559	1	Caution Card
13	29238	1	Electrical Panel
14	29242	1	Switch
15	21144	1	Strain Relief
16	29198	1	Cap, End, Crossfeed
17	29400	1	Mainframe Assembly
18	29300	1	Crossfeed Assembly
19	28800	1	Twin Cutter Assembly, Pos. Rake (3850)
20	29800	1	Twin Cutter Assembly, Neg. Rake (3860)
21	3017	1	Clamp, Boring Bar, Top
22	2066	1	Clamp, Boring Bar, Bottom
23	5390	1	Holder, Tool Bit (3850)
24	5689	1	Screw, Sq. Hd. Set (3850)
25	29240	1	Boring Bar Assembly (3850)
26	6854	1	Knob, Lock
27	29201	1	Screw, 3/8-16 Ft. Pt. Set
28	29230	1	Nut, Jam
	29187	1	Gib, Crossfeed

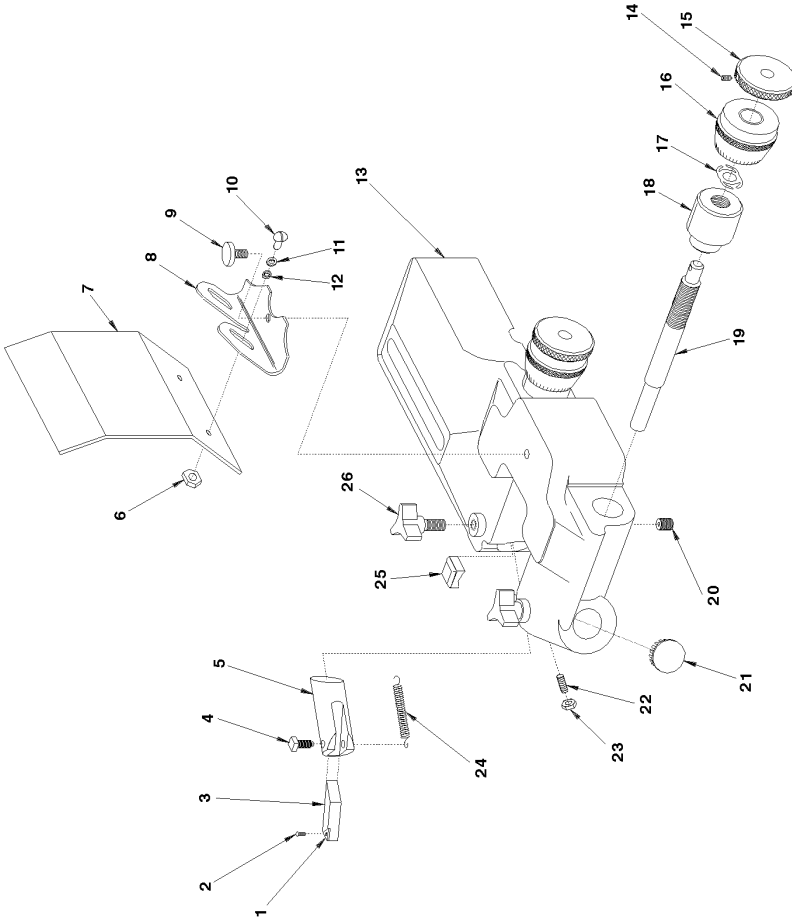
# Parts Identification

Drum Boring Bar Assembly (3860 ONLY)



PANZITTA SALES & SERVICE  
72 George Avenue  
Wilkes-Barre, PA 18705  
570-822-6720 800-822-6720  
[www.panzittasales.com](http://www.panzittasales.com)

Twin Cutter & Safety Shield





# Parts Identification

## Twin Cutter & Safety Shield

PART ITEM NO.	QTY	DESCRIPTION
1	6918	2 *Carbide Insert, Pos. Rake (3850)
	6914	2 **Carbide Insert, Neg. Rake (3860)
2	6499	2 Screw, 4-40x.25 Oval Head
3	25968	1 *Holder, Toolbit, RH, Pos. Rake (3850)
	25969	1 *Holder, Toolbit, LH, Pos. Rake (3850)
	10701	1 **Holder, Toolbit, RH, Neg. Rake (3860)
	10702	1 **Holder, Toolbit, LH, Neg. Rake (3860)
4	9249	2 Screw, Sq. Hd. Set
5	10650	1 Toolholder, LH
	10651	1 Toolholder, RH
6	24557	2 tNut
7	11154	1 tShield
8	29254	1 tBracket
9	11152	1 tScrew, Thumb
10	24100	2 tScrew
11	27592	2 tSpacer
12	4379	2 tWasher
13	28572	1 Housing, Twin Cutter
14	3338	2 Screw, Set
15	6923	2 Knob, Dial Rod
16	6907	2 Dial, Micrometer
17	6929	2 Washer, Spring
18	6906	2 Plug, Dial
19	6908	2 Rod, Dial
20	6109	2 Screw, 3/16-16 Set
21	6977	1 Plug, Dot
22	9879	2 Screw, Locating
23	3528	2 Nut, Hex
24	6905	2 Spring
25	28584	2 Gib, Tool Holder
26	6854	2 Knob, Lock

† Denotes Safety Shield Assembly items

\* 3850

\*\* 3860

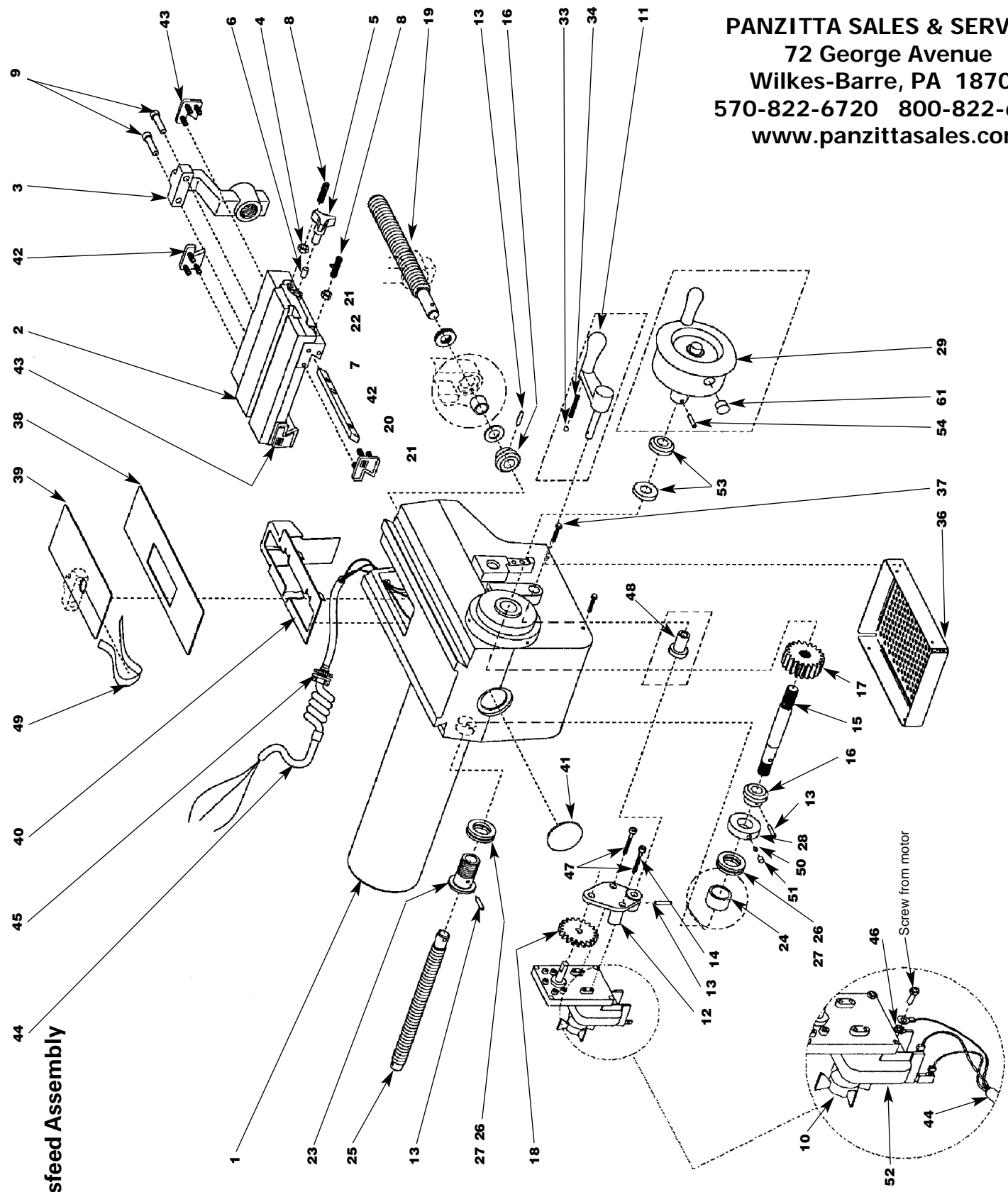
## Drum Boring Bar Assembly (3860 ONLY)

PART ITEM NO.	QTY	DESCRIPTION
1	25750	1 Bar, Tool, RH, Assembly
2	6499	1 Screw, Oval Hd, Machine
3	6914-2	1 Bit, Carbide (Pkg./2)
4	25762	1 Holder
5	25754	1 Sleeve
6	25756	1 Spring Compression
7	24922	1 Washer, Flat
8	25757	2 Screw, Shoulder
9	25753	1 Bar, Boring
10	25759	1 Ring, Retaining, External
11	25758	1 Washer, Wave
12	25752	1 Dial, Micrometer
13	25755	1 Rod, Dial
14	3338	1 Screw, Set, Cup Point
15	25751	1 Dial, Depth

**PANZITTA SALES & SERVICE**  
**72 George Avenue**  
**Wilkes-Barre, PA 18705**  
**570-822-6720 800-822-6720**  
**www.panzittasales.com**

# Parts Identification

**PANZITTA SALES & SERVICE**  
 72 George Avenue  
 Wilkes-Barre, PA 18705  
 570-822-6720 800-822-6720  
 www.panzittasales.com

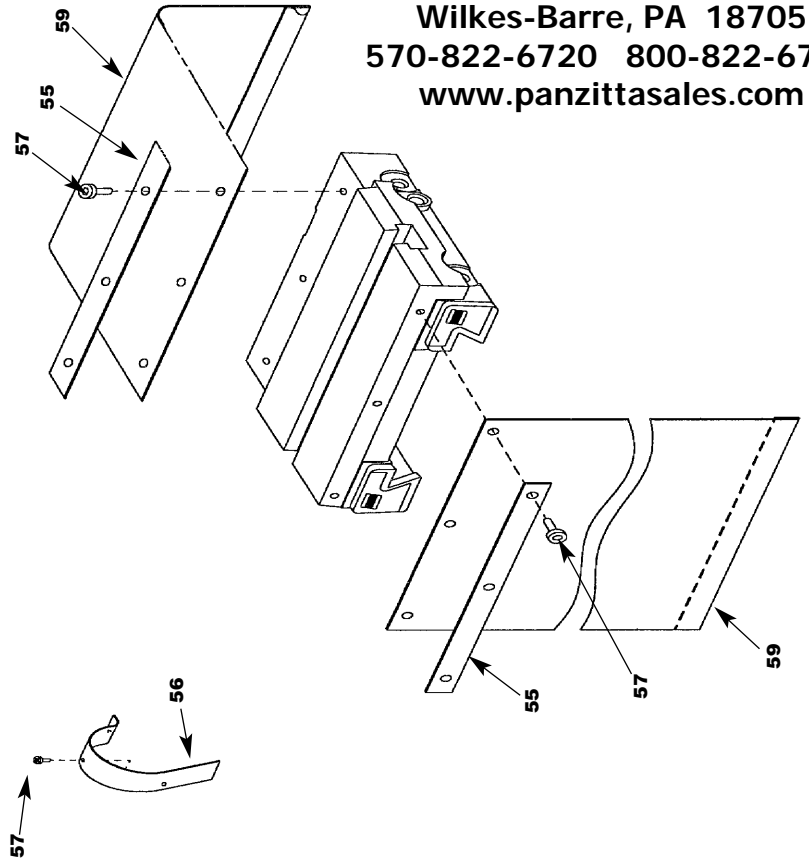


**Crossfeed Assembly**

# Parts Identification

## Crossfeed Assembly

ITEM NO.	PART NO.	QTY	DESCRIPTION	ITEM NO.	PART NO.	QTY	DESCRIPTION
1	29158	1	Crossfeed	45	25783	1	Strain Relief
2	29156	1	Slide, Drum	46	3910	1	Washer
3	29174	1	Nut, Slide, Drum	48	29333	1	Bushing
4	29211	2	Locknut	49			Electrical Tape
5	6854	1	Knob, Lock	50	3141	1	Plug, Copper
6	29229	1	Plug, Brass	51	29194	1	Set Screw, Hex Socket Head
7	29170	1	Gib, Slide, Tool	52	29233	1	Motor, Slide
8	29199	2	Screw, 5/16-24 UNF x1.25	53	40279	2	Ring, Wiper
9	29231	2	Screw, 5/16-24 UNF Soc Hd Cap	54	6424	1	Pin, Roll
10	26321-1	1	Fan, Slide Motor	55	40484	2	Strip, Cover, LH
11	29166	1	Handle Assembly, Drive Motor Engagement	56	40485	1	Shield, Dial, Handwheel
12	29175	1	Bracket, Drive Motor	57	27361	9	Screw, 8-32x.500, HX Soc, Bin HD
13	29181	4	Pin, Groove, Drive Lock	59	40486	2	Cover, Assembly, Dovetail, LH
14	29234	2	Screw, 8-18x1.25 Socket Hd Cap	61	40483	2	Plug, Dome
15	29224	1	Shaft, Spline				
16	29182	2	Gear, Miter				
17	29213	1	Gear, Driven				
18	29214	1	Gear, Drive				
19	29183	1	Screw, Lead				
20	29180	1	Bushing, Bronze, Oil Impregn.				
21	29178	3	Race, Thrust				
22	29179	1	Bearing, Thrust				
23	29219	1	Coupler Assembly				
24	29223	1	Bushing, Bronze, Oil Impregn.				
25	29218	1	Screw, Lead, Rotor Feed				
26	29220	4	Race, Thrust				
27	29221	2	Bearing Thrust				
28	29276	1	Collar, Bearing				
29	29171	1	Handwheel Assembly				
33	24008	4	Ball, .25 Steel				
34	29167	1	Spring				
36	29245	1	Cover, Crossfeed, Bottom				
37	29246	4	Screw, 8-18 Hex Washer Head Self Tapping				
38	29204	1	Cover, Chip, Bottom				
39	29205	1	Cover, Top, Chip				
40	29202	1	Cover, Drum Slide Nut				
41	3166	1	Plug, Expansion				
42	29206	2	Wiper, Tool Slide, LH				
43	29207	2	Wiper, Tool Slide, RH				
44	29253	1	Cord, Pigtail				



**PANZITTA SALES & SERVICE**  
 72 George Avenue  
 Wilkes-Barre, PA 18705  
 570-822-6720 800-822-6720  
 www.panzittasales.com

**PANZITTA SALES & SERVICE**  
**72 George Avenue**  
**Wilkes-Barre, PA 18705**  
**570-822-6720 800-822-6720**  
**[www.panzittasales.com](http://www.panzittasales.com)**