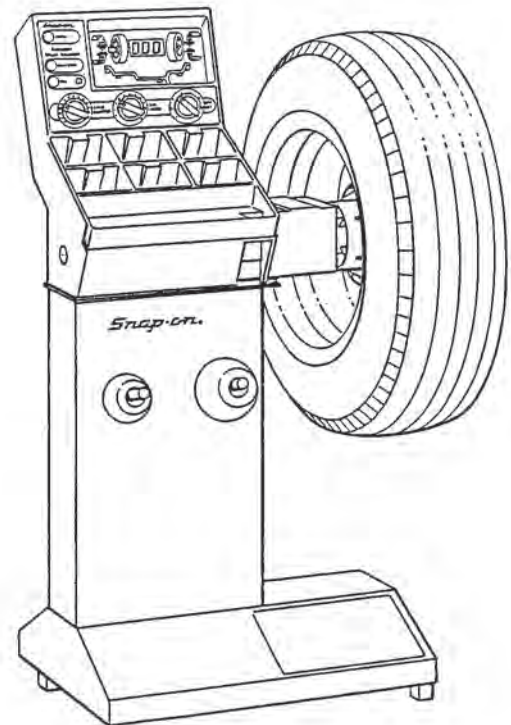
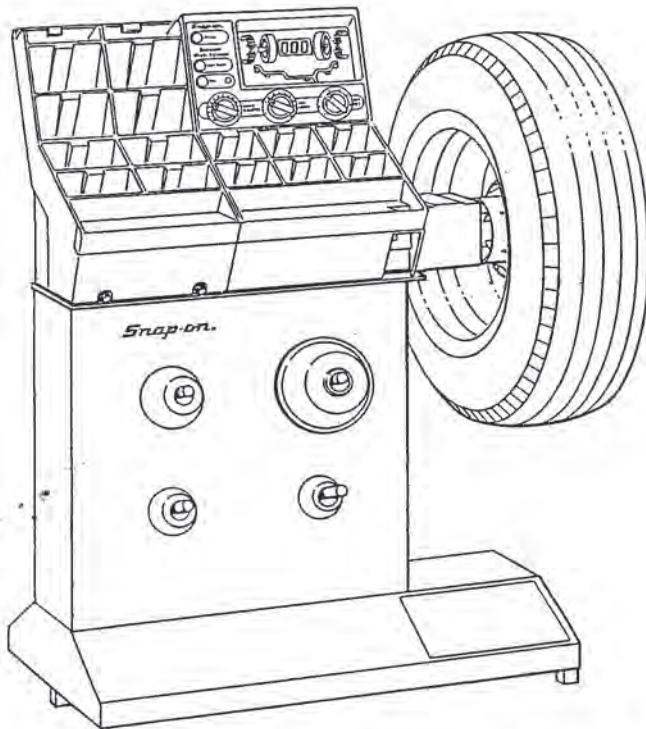


User's Manual

WB250 and WB260A

WB250 Air
Link



PANZITTA SALES & SERVICE
72 George Avenue
Wilkes-Barre, PA 18705
570-822-6720 800-822-6720
www.panzittasales.com

***Precision
Wheel
Balancers***

Snap-on®

DESCRIPTION





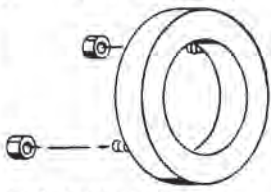




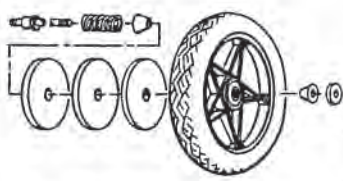

The WB250 and WB260A are hand-spun balancers. All operating instructions, measurement entries, and results are displayed on an easy-to-read control panel with bright, light-emitting diode (LED) indicators. This, plus the other following features, allows any operator to balance wheels and tires in the shortest possible time with the highest accuracy.

- Control Panel —**
 The panel and its LED indicators display the wheel and tire dimensions and operating mode selected by the operator, as well as the results of all operations.
- Weight Trays and Hammer Holster —**
 Trays for holding assorted weights and a weight hammer holster are located at operator working level.
- Offset (Wheel Distance) Measuring Scale —**
 For easy use and accurate reading, the wheel offset scale is located at the right front of the balancer console.
- Storage Pegs and Caliper Bracket —**
 The balancer base has four pegs for convenient storage of adapters and other tools, leaving the work area uncluttered. A caliper bracket attaches to the left side of the weight tray for convenient caliper storage.
- Power Switch (left rear, not shown) —**
 A single switch on the left rear controls power for the balancer.

ACCESSORIES

Your Snap-on balancer is equipped with the standard accessories listed below. Several optional accessories also are available.

Standard

					
Cone spring (WB1131)	Large cone (WB1090-01)	Medium Cone (WB 1090-02)	Small cone (WB1090-03)	Extra small cone (WB1090-04)	Truck Cone (WB1133-01)
					
Universal wheel adapter (WBA2) used to fit 3-, 4-, 5-, 6-, 8-, and 10-hole bolt patterns.	Extension adapter (WBA1-A) used for high-offset wheels, such as Ford F350.	Large drum (WB1140-01) Gasket (WB2533-01)	Small drum (WB1140-02) Gasket (WB2533-02)	Caliper Bracket (WB2543)	Hub nut Handle (WB1329)
					
Quick hub nut handle (WB1685)	Motorcycle adapter (WBM1419)	Extra-wide extension adapter (WBA1-B), used to move high-offset wheels away from the machine.	Calipers (WB1158-02)	Metric Bolt plate adapter (WB1499)	

EAK0221J13A has metal plate and foam backing.

WB250AIR Aircraft Wheel Balancer

FAA approved

Specifications

Dynamic and static, twin-plane balancer

Single spin cycle

Mounting: double cone

Cycle time: approximately 10 seconds

Weight: displayed in 0.25-ounce (5-gram) increments (normal mode)

Accuracy: 0.10-ounce (2-gram) in Fine mode. Grams to ounce conversion is switch selectable.

Rim diameter: to 24"

Rim width: 3.5" to 14"

Maximum tire diameter: 44"

Maximum tire weight: 150 lbs.

Bearing journal diameter:

1.3" to 4.6" (standard cone set)

1.3" to 7.4" (optional cone set)

Standard Accessories

WB1525-01, Small rear cone (1.3" to 3.2") 60800310

WB1525-02, Small front cone (1.3" to 3.2") 60301005

WB1525-03, Medium rear cone (2.7" to 4.6")

WB1525-04, Medium front cone (2.7" to 4.6") B2528

Optional Accessories

WB1525-05 and WB1525-06 (4.1" to 5.9")

WB1525-07 and WB1525-08 (5.4 to 7.4")

WB 1525-DC9F and WBDC9R (for DC9 nose wheels)

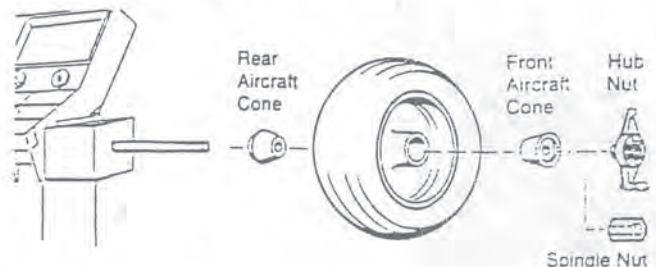
WB1497, Auto cone set (for cone mountable automobile wheels)

For special applications contact your Snap-on Dealer, or phone 1-(800)-332-2526.

Aircraft Wheel Balancing Procedure

Stubshaft Installation

Remove the flange from the balancer spindle shaft, it is not needed for aircraft wheels. Install the stub shaft bolt into the spindle and tighten the bolt as tight as you can with a 1/2" wrench. Mount a wheel using the instructions below. Plug in the balancer and turn it on. Spin the tire until the balancer beeps two times and the automatic brake is applied. Hold the tire so that the brake continues to apply pressure against it and tighten the stubshaft using a 9/16-inch wrench.



4. Install the hub nut and tighten only enough to keep the wheel from spinning on the shaft when the brake is applied. The spindle nut can be used when insufficient wheel clearance or shaft length prevents using the hub nut.
5. The wheel should now be mounted with the cones centering the wheel on the outer edge of the bearing journal surfaces.

Proceed with steps 2 through 9 of the operating instructions on pages 6 and 7 in the *WB250 and WB260A User's Manual*.

WARNING: Proper installation of weights is the operator's responsibility.

When setting distance, rim width, and rim diameter, make sure you measure to the points where the weights will be applied.

For rim distances of less than 10", set the rim diameter to double the actual diameter, then apply twice the actual weight displayed.

Aircraft Wheel Mounting

Operation of the WB250AIR is the same as the WB250, except for the wheel mounting method.

1. Choose the rear aircraft cone that best fits the bearing journal of the wheel, and slide the cone on the shaft.
2. Mount the wheel, with the bearings removed, onto the shaft, so that it centers on the rear cone.
3. Install the front aircraft cone so that it centers the outer bearing journal.

CAUTION: Do not overtighten the hub nut or spindle nut, doing so can damage the mounting cones or the wheel bearing journals.

PANZITTA SALES & SERVICE

72 George Avenue

Wilkes-Barre, PA 18705

570-822-6720 800-822-6720

www.panzittasales.com

WB250 and WB260A PARTS LIST
(See Assembly Drawing On Next Page)

Item	Part Number	Description	Qty.
1	WB7553-02	Control Housing	1
2	WB0205-0031	Washer, 5/16" x 7/8"	4 (2 on WB250)
3	WB0102-3118-12	Hexhead Capscrew, 5/16-18 x 3/4"	8 (6 on WB250)
3a *	WB0103-3118-12	Socket-head Capscrew, 5/16-18 x 3/4"	4 *
4	WB7667-01	Measuring Head Assembly	1
5	WB1179-02	Stub Shaft	1
6	WB0110-3824-81	Hexhead Bolt, 3/8-24 x 6"	1
7	WB0205-0032	Washer, 5/16" x 1/2"	4
8	WB7767-02	Base w/Base Mat, WB250	1
	WB7803-03	Base w/Base Mat, WB260A	1
9	WB2653-01	Base Mat, WB250	1
	WB2653-02	Base Mat, WB260A	1
10	KN300R	Snap-On Logo Nameplate	1
11	WB3700-0009	Tinnerman Clip, WB260A	4
12	WB7673	Sensor Panel Assembly	1
13	WB0201-0010	Flatwasher, No. 10	9
14	WB0302-1032	Hexnut, ESNA 10-32	9
15	WB7708	Back Cover, WB260A	1
	WB2677	Back Cover, WB250	1
16	WB0901-0818-08	Screw, 8-18 x 1/2"	7
17	WB5056-0007-02	PC Board Assembly	1
18	WB8073	Switch Extender	3
19	WB7699-02	Front Panel Decal	1
20	WB1591-02	Control Knob	3
21	WB8041-02	Display Window	1
22	WB7602	Weight Tray, Left-hand, WB260A	1
23	WB0907-1214-10	Screw, 12-14 x 5/8", WB260A	4
NS	WB1595-01	Weight Tray Label Set, Ounces	1
NS	WB1595-02	Weight Tray Label Set, Grams	1 (optional)
NS	WB2543	Caliper Hook	1
NS	WB6605-01	AC/DC Power Converter	1

* Alternate mounting fastener for measuring head assembly

Item #6 Bolt 7" Long
ST7162025

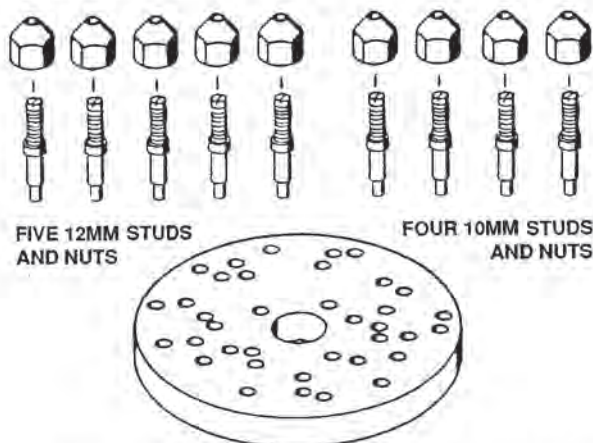
Item #5 Longer Stub
Shaft
1179-05

PANZITTA SALES & SERVICE
72 George Avenue
Wilkes-Barre, PA 18705
570-822-6720 800-822-6720
www.panzittasales.com

Mounting With The Metric Bolt Plate Adapter

The metric bolt plate adapter can be used in place of the universal wheel adapter to mount wheels with untrue centers or closed centers. Install and mount the adapter as follows:

1. Select the lug pattern: 3, 4, or 5 holes. Measure the wheel bolt pattern to determine the number of bolts and pitch circle for the wheel.
2. Insert the studs into the bolt plate as required for the number of bolts and pitch circle of the wheel. Both 10-mm and 12-mm studs are provided. Use the 12-mm studs whenever possible. Tighten the studs securely by hand.



NOTE: This step can be done with the adapter on or off the balancer.

3. Check the cleanliness of the balancer mounting flange and the rear surface of the adapter before mounting the adapter on the balancer. If the adapter does not seat squarely and securely against the flange, inaccurate readings will result.
4. Install the adapter on the balancer with the two hexhead Allen screws provided. Use a 5/16-inch (8-mm) wrench to tighten the screws securely. If the adapter is not mounted securely, inaccurate readings will result.
5. Mount the wheel on the adapter and install the wheel nuts hand tight. Torque the nuts to 100 inch-pounds in an alternating pattern. *Do not use an impact wrench.*
6. Proceed with balancing.

Mounting The Motorcycle Adapter Kit

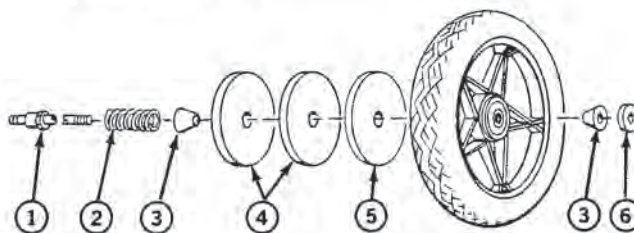
Install the motorcycle adapter kit on your Snap-on balancer and mount motorcycle wheels as follows:

1. Hold the balancer shaft from rotating.

2. Using a 9/16-inch wrench, remove the bolt from the end of the balancer shaft and remove the shaft.
3. Install the motorcycle spindle (1) and torque to 50 to 70 inch-pounds.

CAUTION: The motorcycle spindle is made of specially selected steel for strength and long life. Because of the small spindle diameter, however, you should be especially careful not to bend the spindle.

4. Mount a motorcycle wheel on the adapter spindle as follows:



Item	Part No.	Description	Qty.
1	WBM1400	Motorcycle spindle	1
2	WBM1401	Compression spring	1
3	WBM1387	Cone	2
4	WBM1389-01	Pressure disc	2
5	WBM1389-02	Pressure disc (laminated)	1
6	WBM1388	Ring nut	1

- a. Slide the cone spring (2) and cone (3) onto the spindle (1).
- b. Select two or three pressure discs (4 and 5) and slide them over the spindle, cone, and compression spring until flush with the balancer mounting flange.

NOTE: The number of discs (4) used will depend on the design and shape of the wheel. Always place the laminated side of the disc (5) toward the wheel.

- c. Place the wheel on the spindle with the brake drum or disc facing the pressure disc (5).
- d. Slide the second cone (3) onto the spindle.
- e. Be sure that the wheel is centered on both cones and tighten the ring nut (6).

NOTE: Tighten the ring nut by hand only enough to hold the wheel securely and prevent it from slipping when the balancer brake is applied. Overtightening can cause excessive wear on the pressure disc.

5. Proceed with balancing.

NOTE: When reinstalling the standard stub shaft on the balancer spindle, torque the mounting bolt to 250 to 300 inch-pounds.

APPENDIX — SPECIAL MOUNTING ADAPTERS

Several special mounting adapters are available as optional accessories for your Snap-on balancer. These include:

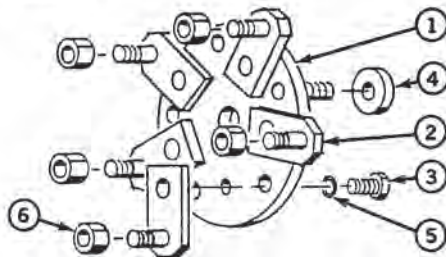
- The universal wheel adapter (part no. WBA2)
- The metric bolt plate adapter (part no. WB1499)
- The motorcycle wheel adapter (part no. WBM1419)

The following sections explain the installation and use of these adapters.

Mounting With The Universal Wheel Adapter

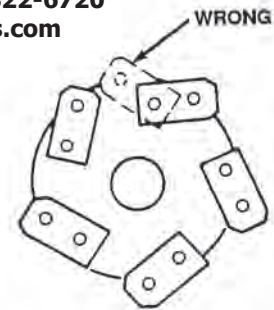
The universal wheel adapter is used on wheels with untrue center holes, closed centers, or other designs where cone mounting is not possible. The universal adapter fits 3-, 4-, 5-, 6-, 8-, and 10-hole patterns. Install and mount the adapter as follows:

1. Select the lug pattern: 3, 4, or 5 holes. (For 6 lugs, select 3; for 8 lugs, select 4; for 10 lugs, select 5.) Follow the stamped numbers on the back of the adapter plate for the selected pattern.



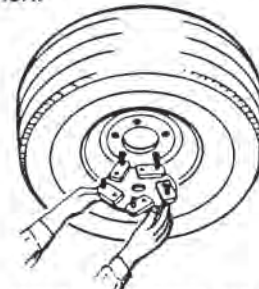
Item	Part No.	Description	Qty.
1	WBA2-1	Adapter plate	1
2	WBA2-2	Swivel plate	5
3	WBA2-3	Swivel screw	5
4	WBA2-4	Flange nut	2
5	WBA2-5	O-ring	5
6	WBA2-6	Wheel nut, 14-mm (optional)	5
6	WBA2-6A	Wheel nut, 60° (standard) 5	

2. Install the swivel plates (2) to the adapter plate (1).
3. Insert the swivel screws (3) with O-rings (5) and tighten snugly. Then loosen just enough so that the swivel plates can be rotated.
4. Tilt the wheel to 45 degrees leaning against the balancer or a bench. Move all swivel plates in the same direction and to the approximate diameter of the hole pattern.



Insert the swivel plate studs into the mounting holes from the rear of the wheel. Insert the lower studs first; then align and tilt the top studs into place.

5. Hold the wheel and adapter together and tilt the wheel vertically. Install the wheel nuts (6) and tighten by hand. Torque the nuts to 75 inch-pounds in an alternating pattern. *Do not use an impact wrench.*



NOTE: The WBA2-6A wheel nut has a 90° tapered end and a 60° tapered end. Use the 90° end on most wheels. Use the 60° end on wheels with 60° countersunk holes, such as Honda wheels. A 14-mm spherical nut (WBA2-6) is available for older VW wheels.

6. Torque the swivel screws on the adapter rear to 75 inch-pounds. *Do not use an impact wrench.*
7. Mount the wheel and the adapter on the balancer. Be sure the rear surface of the balancer is free of dirt and nicks before mounting. If the adapter does not seat squarely against the balancer flange, inaccurate readings will result.
8. Install and tighten the two flange nuts (4) that hold the adapter to the mounting flange. Be sure that the flange nuts are completely tight, or inaccurate readings will result. Doublecheck the flange nut tightness after the first spin.
9. Proceed with balancing

Other wheels of identical size can be mounted directly to the adapter without removing it from the balancer. When mounting a wheel to the adapter, tighten the wheel nuts by hand and then torque gradually to 75 inch-pounds in an alternating pattern. Rotate the wheel several times while tightening the nuts to ensure that the wheel is centered.

WB250AIR Aircraft Wheel Balancer

FAA approved

Specifications

Dynamic and static, twin-plane balancer

Single spin cycle

Mounting: double cone

Cycle time: approximately 10 seconds

Weight: displayed in 0.25-ounce (5-gram) increments (normal mode)

Accuracy: 0.10-ounce (2-gram) in Fine mode. Grams to ounce conversion is switch selectable.

Rim diameter: to 24"

Rim width: 3.5" to 14"

Maximum tire diameter: 44"

Maximum tire weight: 150 lbs.

Bearing journal diameter:

1.3" to 4.6" (standard cone set)

1.3" to 7.4" (optional cone set)

Standard Accessories

WB1525-01, Small rear cone (1.3" to 3.2")

WB1525-02, Small front cone (1.3" to 3.2")

WB1525-03, Medium rear cone (2.7" to 4.6")

WB1525-04, Medium front cone (2.7" to 4.6")

Optional Accessories

WB1525-05 and WB1525-06 (4.1" to 5.9")

WB1525-07 and WB1525-08 (5.4 to 7.4")

WB 1525-DC9F and WBDC9R (for DC9 nose wheels)

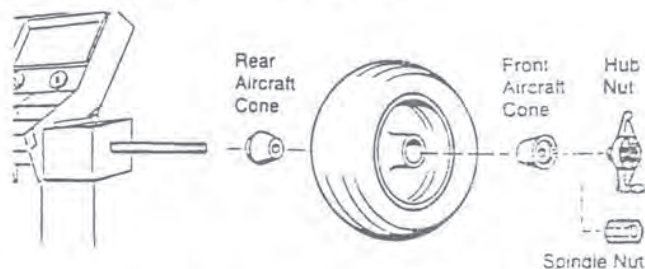
WB1497, Auto cone set (for cone mountable automobile wheels)

For special applications contact your Snap-on Dealer, or phone 1-(800)-332-2526.

Aircraft Wheel Balancing Procedure

Stubshaft Installation

Remove the flange from the balancer spindle shaft, it is not needed for aircraft wheels. Install the stub shaft bolt into the spindle and tighten the bolt as tight as you can with a 1/2" wrench. Mount a wheel using the instructions below. Plug in the balancer and turn it on. Spin the tire until the balancer beeps two times and the automatic brake is applied. Hold the tire so that the brake continues to apply pressure against it and tighten the stubshaft using a 9/16-inch wrench.



Aircraft Wheel Mounting

Operation of the WB250AIR is the same as the WB250, except for the wheel mounting method.

1. Choose the rear aircraft cone that best fits the bearing journal of the wheel, and slide the cone on the shaft.
2. Mount the wheel, with the bearings removed, onto the shaft, so that it centers on the rear cone.
3. Install the front aircraft cone so that it centers the outer bearing journal.

CAUTION: Do not overtighten the hub nut or spindle nut, doing so can damage the mounting cones or the wheel bearing journals.

4. Install the hub nut and tighten only enough to keep the wheel from spinning on the shaft when the brake is applied. The spindle nut can be used when insufficient wheel clearance or shaft length prevents using the hub nut.
5. The wheel should now be mounted with the cones centering the wheel on the outer edge of the bearing journal surfaces.

Proceed with steps 2 through 9 of the operating instructions on pages 6 and 7 in the *WB250 and WB260A User's Manual*.

WARNING: Proper installation of weights is the operator's responsibility.

When setting distance, rim width, and rim diameter, make sure you measure to the points where the weights will be applied.

For rim distances of less than 10", set the rim diameter to double the actual diameter, then apply twice the actual weight displayed.

PANZITTA SALES & SERVICE

72 George Avenue

Wilkes-Barre, PA 18705

570-822-6720 800-822-6720

www.panzittasales.com