

Snap-on

EEWB331A

PANZITTA SALES & SERVICE
72 George Avenue
Wilkes-Barre, PA 18705
570-822-6720 800-822-6720
www.panzittasales.com



WHEEL BALANCER

Parts Manual

TEEWB331A3

Table of Contents

BOM - EEWB331A	3
BALANCER ASSEMBLY	4
UPPER DISPLAY	6
2D SAPE ASSEMBLY	7
VIBRATORY ASSEMBLY	8
CONES AND ACCESSORIES.....	9
WHEEL GUARD SUPPORT.....	10
HOOD ASSEMBLY	12

PANZITTA SALES & SERVICE
72 George Avenue
Wilkes-Barre, PA 18705
570-822-6720 800-822-6720
www.panzittasales.com

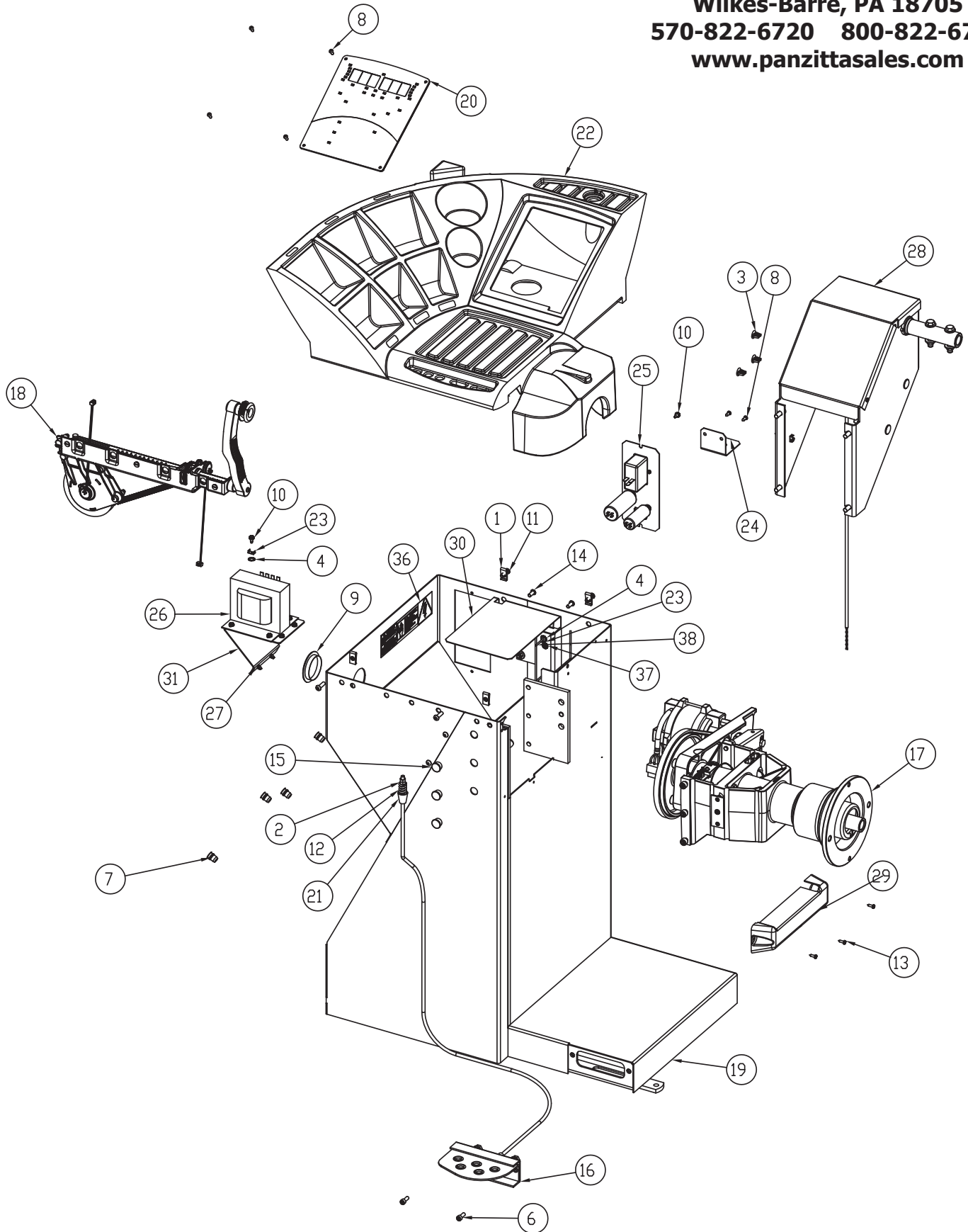
BOM - EEWB331A

QTY	PART NUMBER	DESCRIPTION
1	EAA0369J80A	BAL ASSY – SNAPON MOTORIZED DIGITAL
1	EAA0369J54A	42” HOOD ASSY NO SONAR
1	EAX0039J00A	115V AC POWER CORD
4	2-3657	CABLE CLAMP (FLAT CABLE)
3	1-01215A	SCREW - LAG, 5/16 X 1 ½
3	1-541	WASHER - FLAT, 5/16
1	ZEEWB331A9	LIT PACK - SNAP-ON HAND SPIN
1	EAL0341J96A	LABEL – BALANCER WARING, REAR
1	EAL0341J97A	LABEL – BALANCER WARING, SIDE
1	EAL0341J60A	LABEL - PATENT, WHEEL BALANCER
1	EAL0343J76B	LABEL-ELECTRICAL/SERIAL
1	EAL0352J20A	LABEL - SNAP-ON, WHITE
1	EAL0352J19A	LABEL – SNAP-ON BIG S
1	EAL0420J33A	LABEL - CAUTION MAX DIAM AND WEIGHT
1	EAA0263G79A	QUICK NUT KIT, 40MM
1	EAK0309J28A	KIT – 4 CONES
1	EAM0005D40A	CALIBRATION WEIGHT
4	EAM0006G01A	HOOK - ACCESSORY STORAGE
4	EAC0060G02A	FLANGE - COVER, ACCESSORY HOOK
1	58839000	WEIGHT TOOL
1	EAA0247G21A	CALIPER - RIM WIDTH

PANZITTA SALES & SERVICE
72 George Avenue
Wilkes-Barre, PA 18705
570-822-6720 800-822-6720
www.panzittasales.com

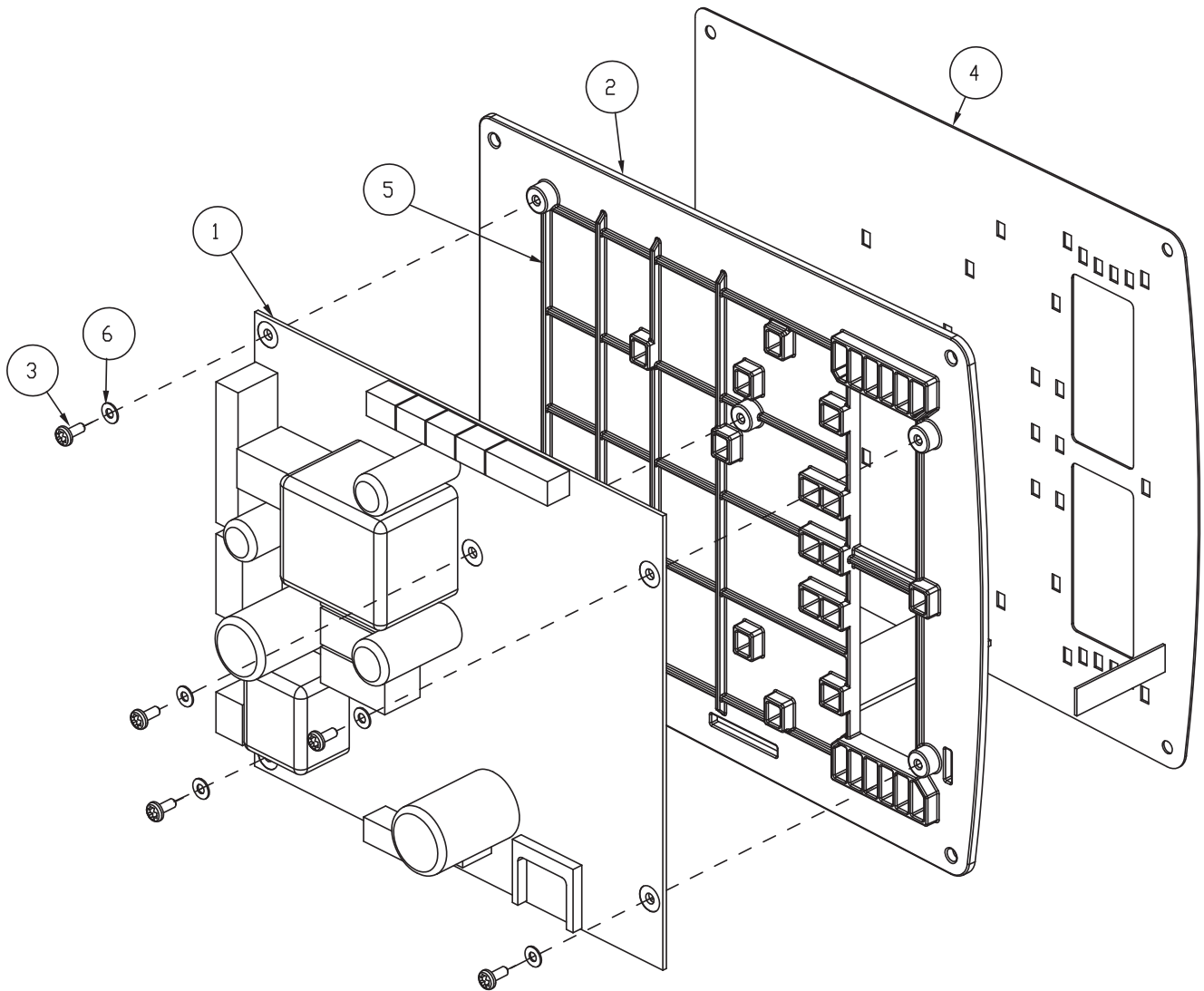
BALANCER ASSEMBLY

PANZITTA SALES & SERVICE
72 George Avenue
Wilkes-Barre, PA 18705
570-822-6720 800-822-6720
www.panzittasales.com



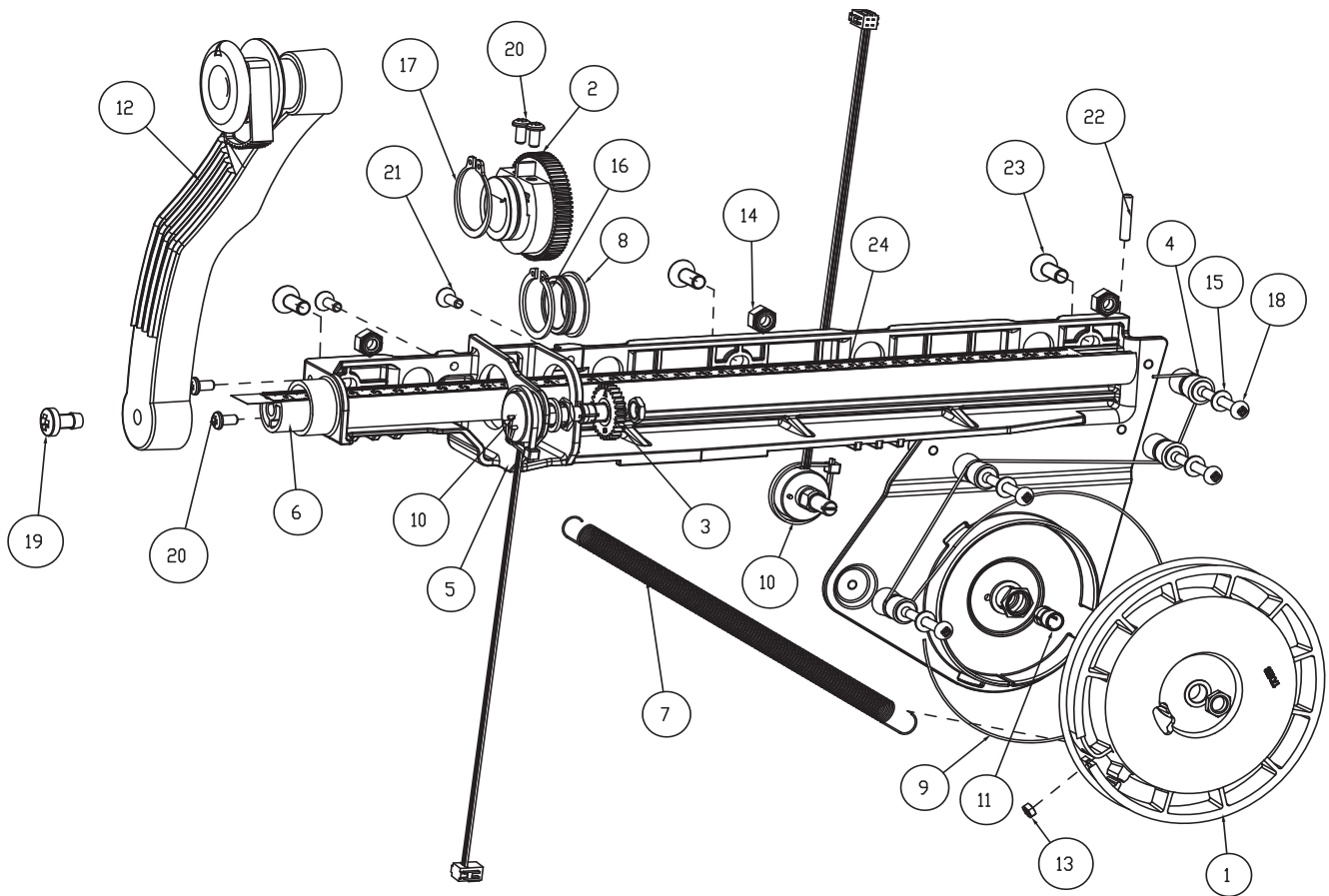
SYM	REQ	PART NO	DESCRIPTION
1	6	1-07439A	NUT - SPEED, "U" TYPE,
2	2	1-11633	NUT-M6 X 5,2MMTHK, BLK
3	3	1-08176A	CAP,CLOSING
4	2	1-1548	WASHER-EXT,SHAKEPROOF 6MM
5	4	1-18359A	NUTSERT, M8
6	2	1-16309	SCREW - SHCS, M6 X 16MM,
7	4	1-17659A	NUTSERT - M10
8	6	1-18523A1	SELF TAPPING SCREW D4,8X13MM
9	1	1-2676	PLUG-HOLE, 2"DIA
10	8	1-3724	SCREW-SELF TAP,5 X 10MM
11	4	1-44009A	SCREW-BHCS, 1/4-20 X 7/8
12	1	1-6668	COMPRESSION SPRING
13	3	1-22623A	SELF-TAPPING SCREW TCB
14	2	1-2509	SCREW-BHCS, 1/4 - 20 X 5/8
15	3	8-7216	PLUG-HOLE, 16MM DIA
16	1	EAA0263G07A	ASSY-BRAKE PEDAL
17	1	EAA0364G85A	ALU VS MOT. INT.FL. D. 28.5/40
18	1	EAA0338G73A	STAND. SAPE 1D-2D ASSY
19	1	EAA0369J30A	CABINET ASSY - S2, RED
20	1	EAA0394G54A	INTEGRATED DISPLAY PANEL
21	1	EAC0053J15A	BRAKE SPACER
22	1	EAC0054P00A	JBEG WEIGHT
23	2	2-23201	TERMINAL LUG-6.3MM X .8MM POP RIVET
24	1	EAS2113J77A	BRACKET - CAL WEIGHT
25	1	EAA0369J81A	POWER INLET ASSEMBLY
26	1	7-16201A	TRANSFORMER- 500VA AUTOMATIC
27	2	8-02340A	CLIP KEYHOLE NYLON
28	1	EAA0369J53A	WHEEL GUARD SUPPORT
29	1	EAM0062G50A	VIBRATORY SYSTEM COVER
30	1	EAS2113J78A	SHIELD - FIRE
31	1	EAS2118J60A	PLATE-TRANSFORMER, S2 CABINET
32	2	EAW0239D07A	GROUND WIRE
33	1	EAW0243J02A	MAIN SWITCH INVERTER CABLE
34	1	EAW0277G08A	BALANCER MAIN POWER HARNESS
36	1	EAL0341J98A	LABEL-BALANCER WARNINGS, EBOX
37	2	8-23762A	LABEL - EARTH SYMBOL
38	1	1-7558	POP RIVET-3/16"
	1	EAL0352J11A	SNAP ON DECAL
	1	EAL0352J19A	SNAP ON "S"

UPPER DISPLAY
EAA0394G54A



SYM	REQ	PART NO	DESCRIPTION
1	1	EAP0274G70A	ELECTRONIC BOARD JB
2	1	EAC0099G62A	SMALL KEYBOARD SUPPORT
3	5	1-10226A	SCREW FOR PLAST. PHIL. PAN H. D=3,0 X 8
4	1	EAL0425G30A	FLAT KEYBOARD SNAP-ON
5	1	EAM0075G37A	KEYBOARD GASKET
6	5	1-9541	WASHER-FLAT,M3 DIN 125A

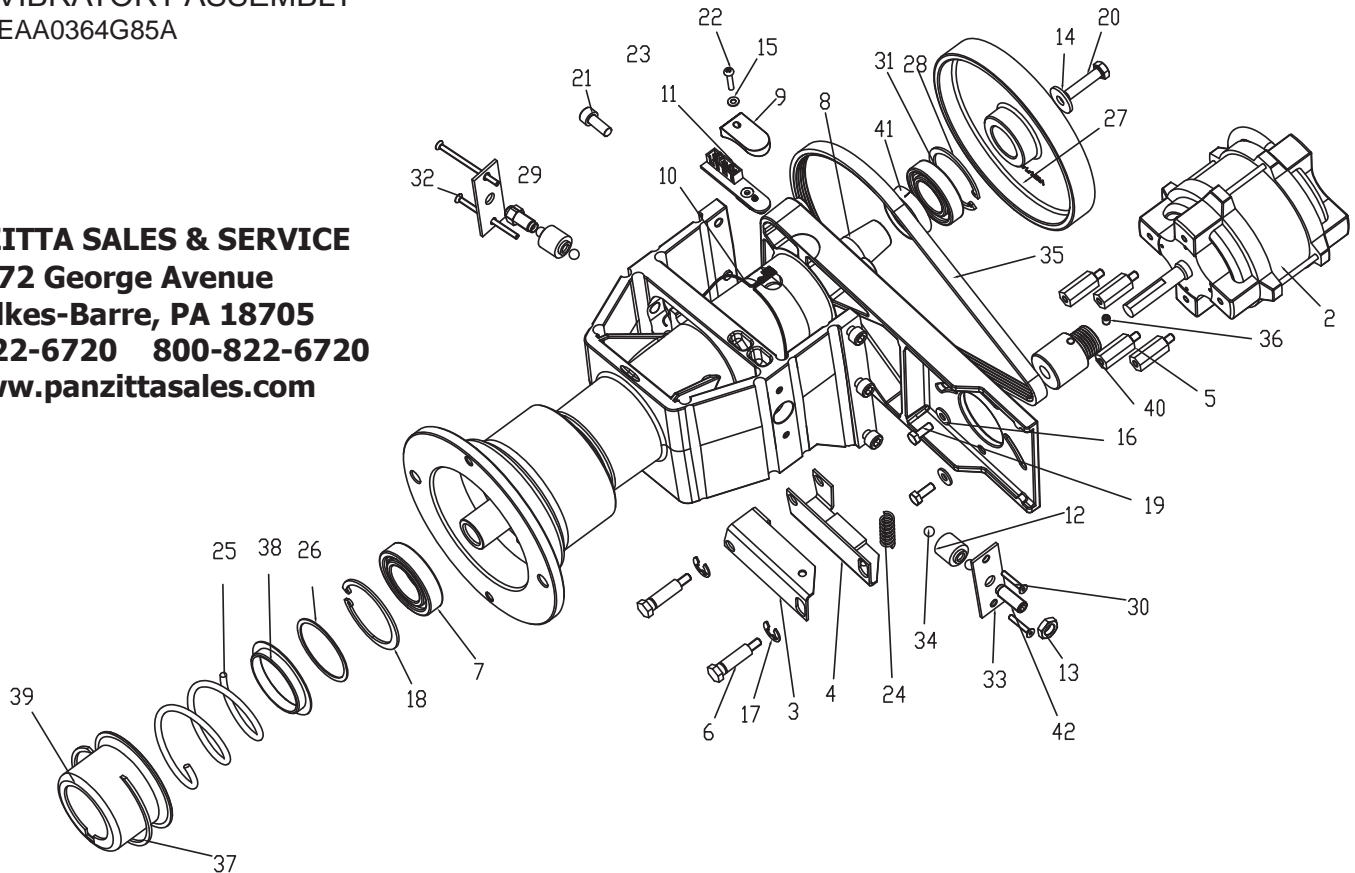
PANZITTA SALES & SERVICE
72 George Avenue
Wilkes-Barre, PA 18705
570-822-6720 800-822-6720
www.panzittasales.com



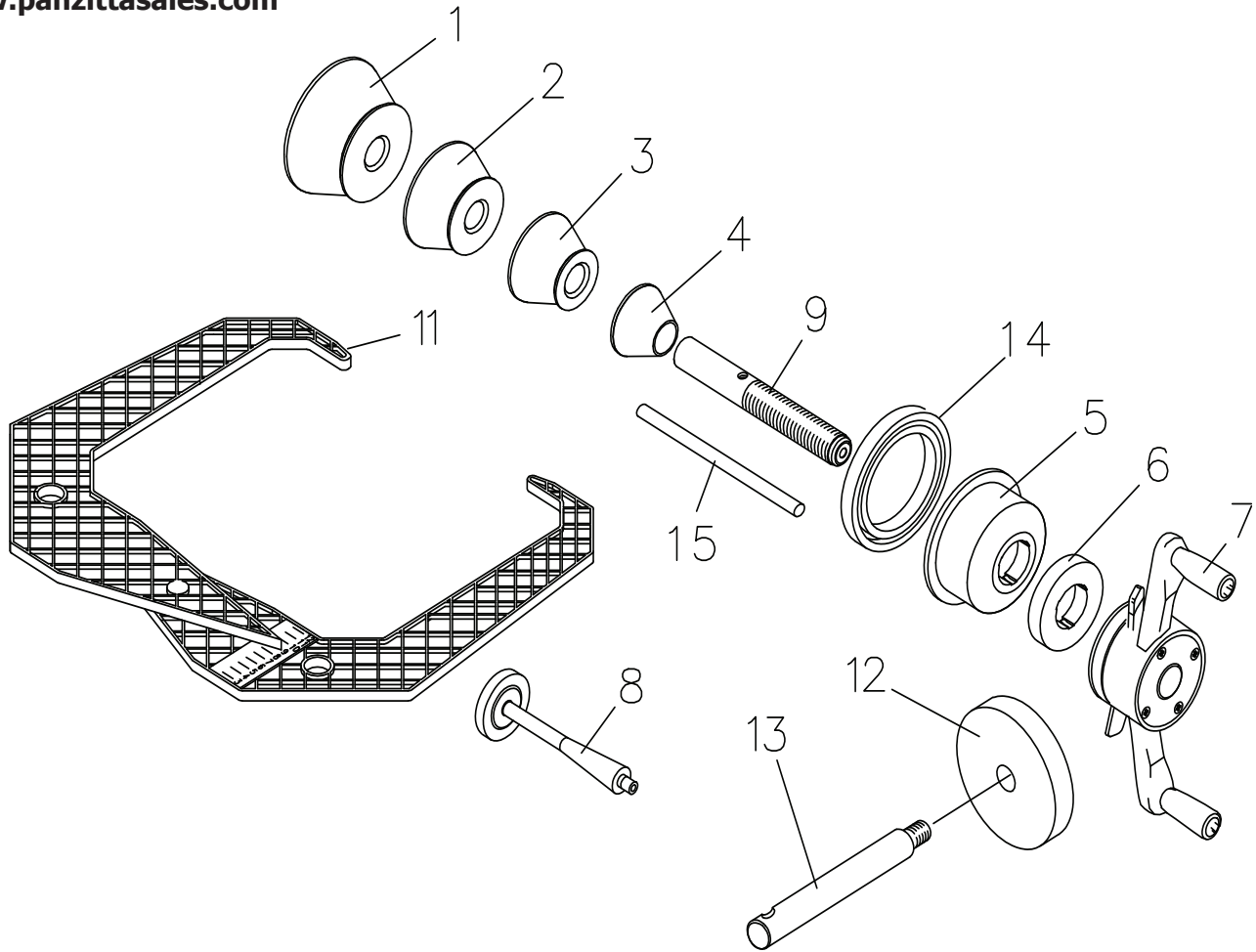
SYM	REQ	PART NO	DESCRIPTION
1	1	EAC0058D06A	ROPE REEL 290MM
2	1	EAC0058D12A	ZAHNRAD, 56Z COG WHEEL 56 TEETH
3	1	EAC0058D13A	COG WHEEL 28 TEETH
4	4	EAM0005D35A	GUIDING REEL
5	1	EAC0087G59A	STAND. S1 SAPE SUPPORT
6	1	EAM0053G16A	STANDARD. ROD SAPE, S1
7	1	1-06567A	STAND SAPE TENSION SPRING
8	1	EAM0068G76A	S2-2D SAPE BUSHING
9	1	6-00604A	ROPE HONEYWELL SPECTRA FIBER 1000 D=0.6
10	2	EAA0266D20A	ROTATIVE TRANSDUCER 100HM
11	2	2-07657A	CLAMPING DEVICE W/NUT
12	1	EAA0277D94A	SAPE ARM EUROPE W/ EJECTOR
13	1	1-11233	NUT, HEX, M3
14	3	1-9933	NUT, PREVAILING TORQUE M6
15	4	1-9641	PLAIN WASHER D4MM
16	1	1-4577	RING SNAP,25X1.20 DIN471
17	1	1-13377A	CIRCLIP FOR SHAFT A27X1,20
18	4	1-24906A	SCREW, PAN HEAD PHIL M4X30
19	1	1-3824	THREADFORMING SCREW C-M6X12
20	4	1-11726A	SCREW, SELF TAPPING FOR PLASTIC D4X8MM
21	2	1-12126A	SELF TAP. SCREW PT WN1413 4X12 ZINC
22	1	1-7810	SCREW, SET M4X20 FLAT TIP
23	3	1-22003A	SCREW SOCKET FLAT HEAT M6X16 ZINC.
24	1	EAM0086G85A	DISTANCE SCALE DECAL FOR SAPE S2

VIBRATORY ASSEMBLY
EAA0364G85A

PANZITTA SALES & SERVICE
72 George Avenue
Wilkes-Barre, PA 18705
570-822-6720 800-822-6720
www.panzittasales.com



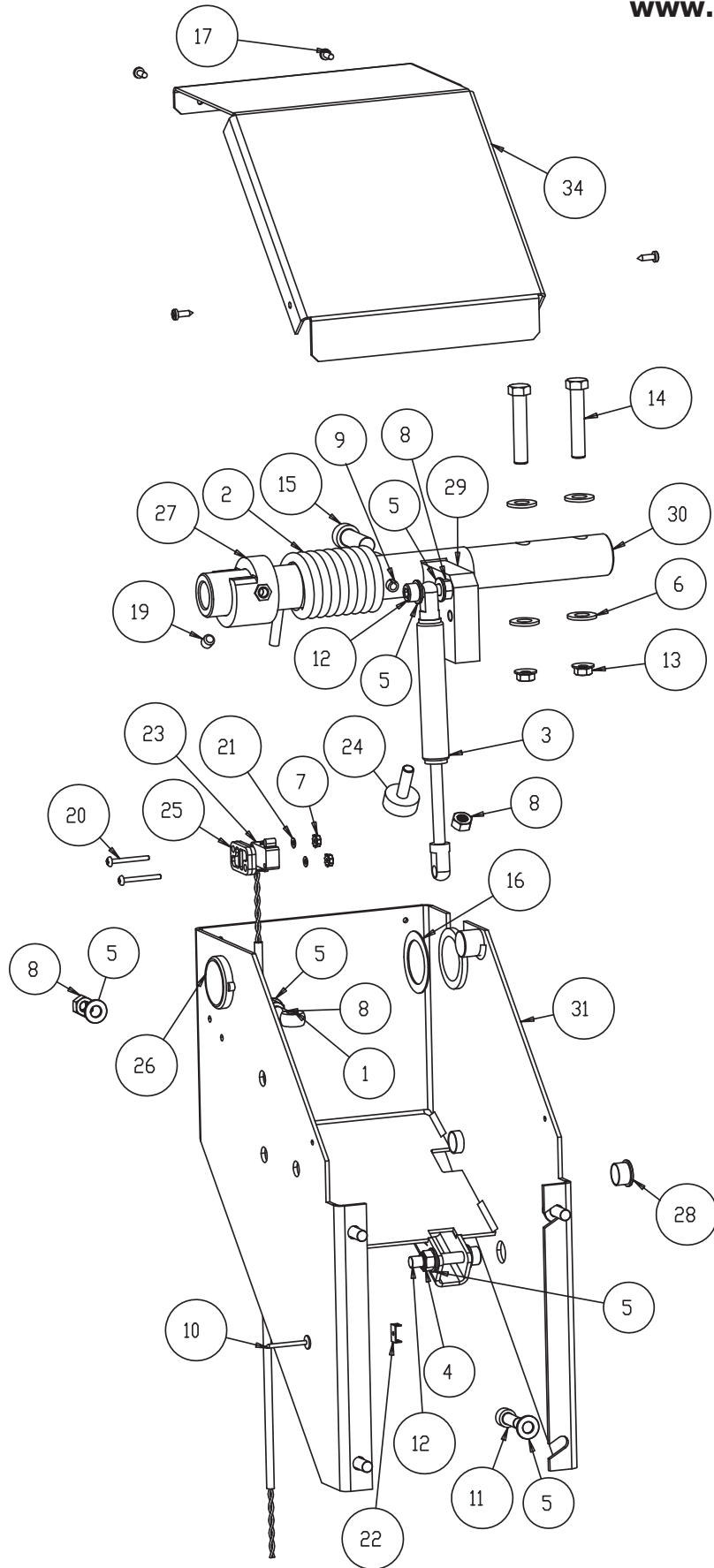
SYM	REQ	PART NO	DESCRIPTION
1	1	EAM0079G46A	MACHINED INTEGRATED FLANGE FOR ALU VS
2	1	2-59366A	Y2K UL MOTOR CAR VERSION EME
3	1	EAA0260D56A	BRAKE LEVER A CPL.
4	1	EAA0260D57A	BRAKE LEVER B CPL.
5	4	EAM0005D09A	MOTOR DISTANCE BOLT
6	2	EAM0005D10A	BOLT SW13
7	1	1-06663A	BALL BEARING 6007 2NSE 62/35/14
8	1	EAM0048G97A	ALU VS MAIN SHAFT INT.FLANGE D 28/40
9	1	EAC0094G11A	ALU VS ENCODER BOARD PROTECTION
10	1	EAW0240G67A	VIBRAT.SYSTEM CABLE WITHOUT TEMP.SENSOR
11	1	EAA0344G00A	OPTO-ENCODER BOARD WITH LENS
12	2	EAA0260D59A	PIEZO SENSOR
13	1	1-04634A	NUT - HEX, M10, 1,5MM PITCH, ZINC
14	1	1-17841	WASHER - D. 8X24
15	1	1-9641	PLAIN WASHER D4MM
16	2	1-16641	WASHER PLAIN D 6MM
17	2	1-13177	CIRCLIP D. 9
18	1	1-20777A	RING, STOP FOR HOLES D62X2 UNI7437
19	2	1-46701A	SCREW HEX. HEAD M6X16
20	1	1-32901	SCREW, HEXAGON CAP 8X35 8.8 A2J DIN933
21	6	1-17709	SCREW - SHCS M8 X 20MM ISO4762, DIN912
22	1	1-35006A	SCREW - PHMS,M4X20 4.8 A2J DIN7985 **
23	1	EAA0364G80A	PREASS. ALU V.S. MOT. INTEGRATED FLANGE INTERF.
24	1	1-6568	COMPRESSION SPRING 1.6 X 10 X 58.5
25	1	1-6468	COMPRESSION SPRING 5 X 63 X 120
26	1	1-17641	WASHER
27	1	EAM0005D12A	DRIVE WHEEL
28	1	1-10477	RETAINING RING FOR BORES J55X2 DIN472
29	1	1-11833	NUT - M8 - X 1.25 DIN 934
30	2	1-17403	MSCR, FLH - M 4 X 25MM
31	1	1-1863	BALL BEARING 6006 ZZE
32	2	1-19903A	MSCR, FLH - M 4 X 65MM
33	2	1-2967	PRETENSION SPRING
35	1	8-3531	MULTIRIB BELT 5 PJ 711 DIN7867
36	1	1-28410	SET SCREW
37	1	1-13077	CIRCLE CLIP SB 92
38	1	6413918	SPRING CENTERING RING SHORT
39	1	6416521	SPRING CASE
40	1	EAM0005D08A	MOTOR PULLEY Y2K
41	1	EAC0058D94A	POLYGON RING
42	2	EAM0005D07A	M10X1 SET SCREW M10X29 "SNAP-ON"



ITEM	QTY	PART NUMBER	DESCRIPTION
1	1	EAM0003J69A	CONE, 89-132 MM (3.42" - 5.40")
2	1	EAM0005D25A	CONE, 71 - 99 MM (3.78" - 4.57")
3	1	EAM0005D24A	CONE, 56 - 84 MM (2.83" - 3.90")
4	1	EAM0005D23A	CONE, 43 -63 MM (1.65" - 3.03")
5	1	EAC0058D07A	CUP - PRESSURE
6	1	EAC0058D08A	DISK - PRESSURE
7	1	EAA0263G66A	QUICK NUT
8	1	EAM0005D40A	WEIGHT - CALIBRATION
9	1	EAM0021D90A	40 MM STUB SHAFT
11	1	EAA0247G21A	CALIPER - RIM WIDTH
12	4	EAC0060G02A	FLANGE - COVER, HOOK
13	4	EAM0006G01A	HOOK - STORAGE
14	1	EAC9958D15A	RUBBER PROTECTOR
15	1	EAM0005D34A	FASTENING ROD

WHEEL GUARD SUPPORT
EAA0369J53A

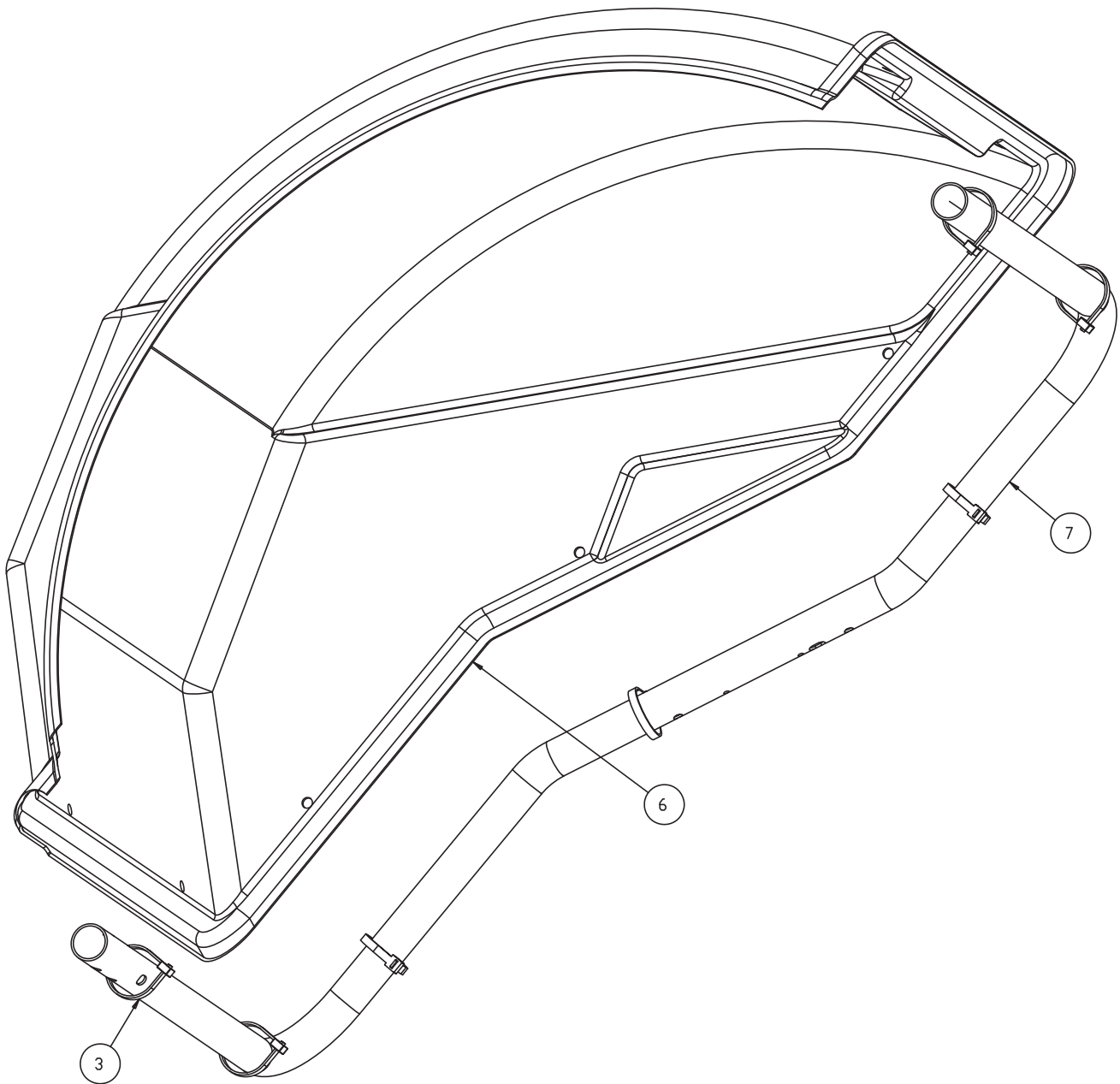
PANZITTA SALES & SERVICE
72 George Avenue
Wilkes-Barre, PA 18705
570-822-6720 800-822-6720
www.panzittasales.com



SYM	REQ	PART NO	DESCRIPTION
1	1	1-01530	EYEBOLT-M8 X 50
2	1	1-04267A	SPRING-TORSION
3	1	1-06769A	GAS SPRING
4	1	1-10033	NUT, HEX, M8
5	10	1-10041	WASHER D.8 UNI6592-69/DIN125
6	4	1-10141	WASHER, PLAIN DIN 125A
7	2	1-15033	NUT-KEPS, M3 - .5
8	4	1-15933A	NUT - HEX, M8
9	1	1-12452	PINS - STRAIGHT SLOTTED 8X45 DIN 1481
10	1	1-7558	POP RIVET-3/16"
11	4	1-17709	SCREW - SHCS M8 X 20MM
12	2	1-18209	SHCS-M8 X 45
13	2	1-8133	NUT & WASHER ASSY 3/8 - 16
14	2	1-1101	SCREW - HHMS 3/8 - 16 X 2.00
15	1	1-20409	SCREW TCEI M12X35 12.9 BR
16	1	1-22441A	SHIM RING 32X45X1
17	4	1-22623A	SELF-TAPPING SCREW TCB
19	1	1-47810	SCREW, SET, FLT PT M8 - 1.25 X 8MM
20	2	1-7104	SCREW - PAN HS, M3 X 30
21	2	1-9541	WASHER-FLAT,M3 DIN 125A
22	1	2-23201	TERMINAL LUG-6.3MM X .8MM POP RIVET
23	1	EAW0233J08A	CABLE-SWITCH ASSY
24	1	8-14418A	BUMPER 25X10 / M8X25
25	1	EAC0053J16A	MICROSWITCH PLATE
26	2	EAC0058D36A	WHEELGUARD BUSHING D.32
27	1	EAC0058D38A	SCHALTRING SWITCH SEGMENT
28	2	8-7216	PLUG-HOLE, 16MM DIA
29	1	EAM0084J28A	WHEELGUARD STOP
30	1	EAM0084J29A	BACKPACK SHAFT
31	1	EAS2128J43A	L.E. VIDEO BACK PACK
34	1	EAS2128J41A	BACKPACK LID

HOOD ASSEMBLY
EAA0369J54A

PANZITTA SALES & SERVICE
72 George Avenue
Wilkes-Barre, PA 18705
570-822-6720 800-822-6720
www.panzittasales.com



SYM	REQ	PART NO	DESCRIPTION
3	7	5-03345A	CABLE TIE, PLASTIC
6	1	EAC0100G21A	HOOD 42"
7	1	EAM0084J30A	L.E. VIDEO WHEELGUARD