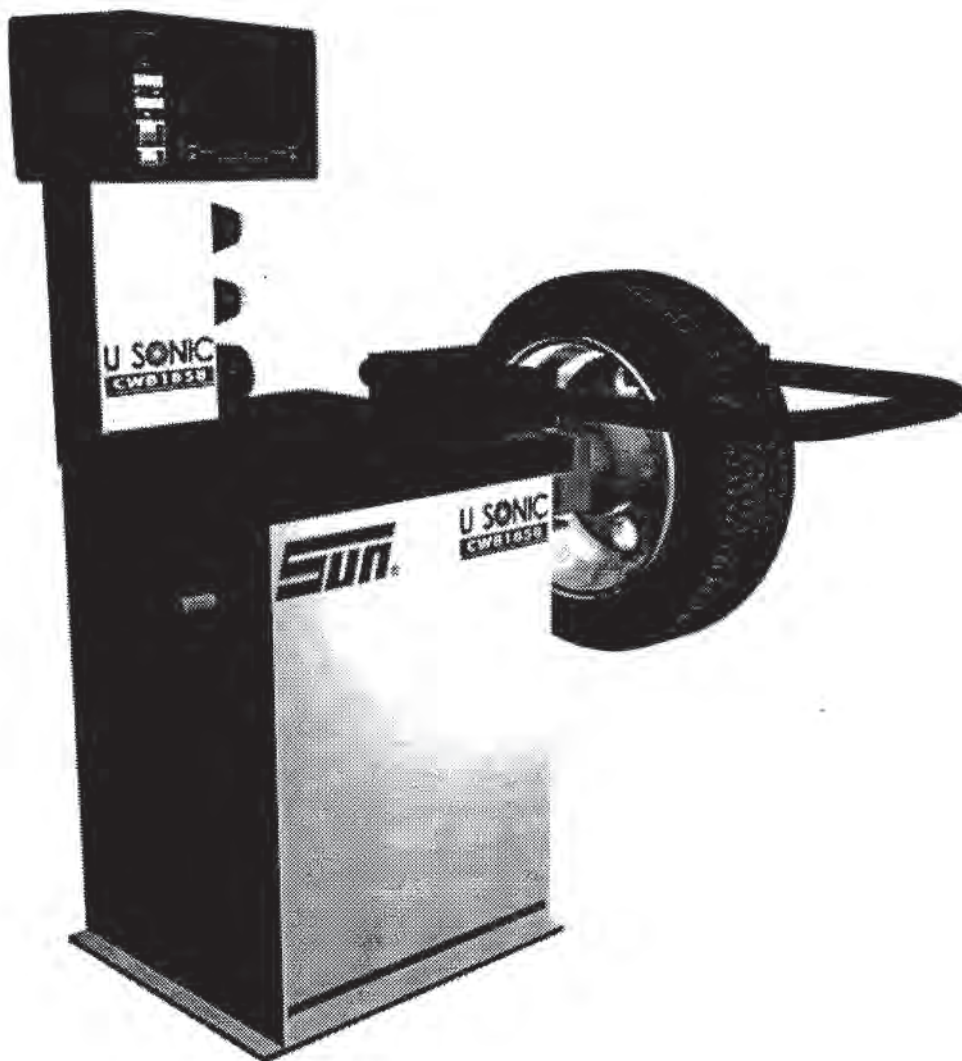


---

# CWB 1858

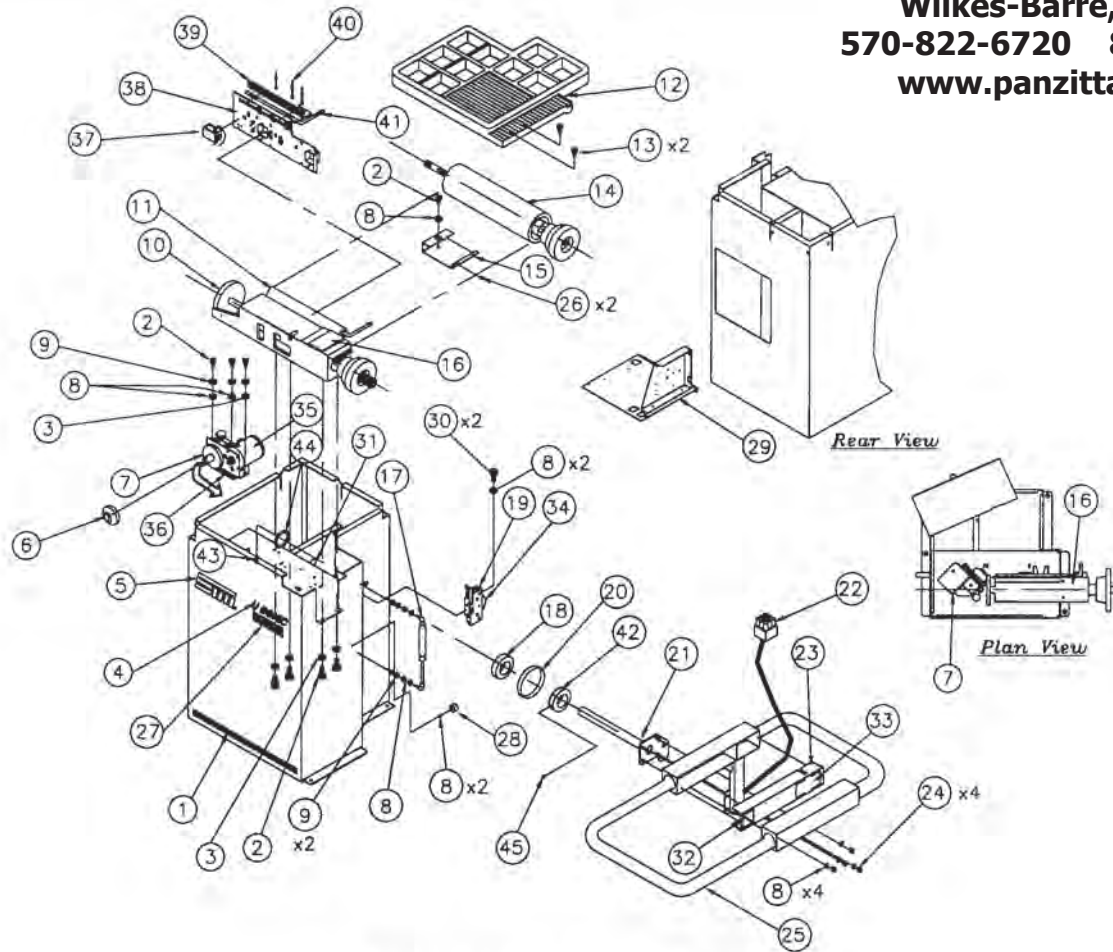
---

## Spare Parts List



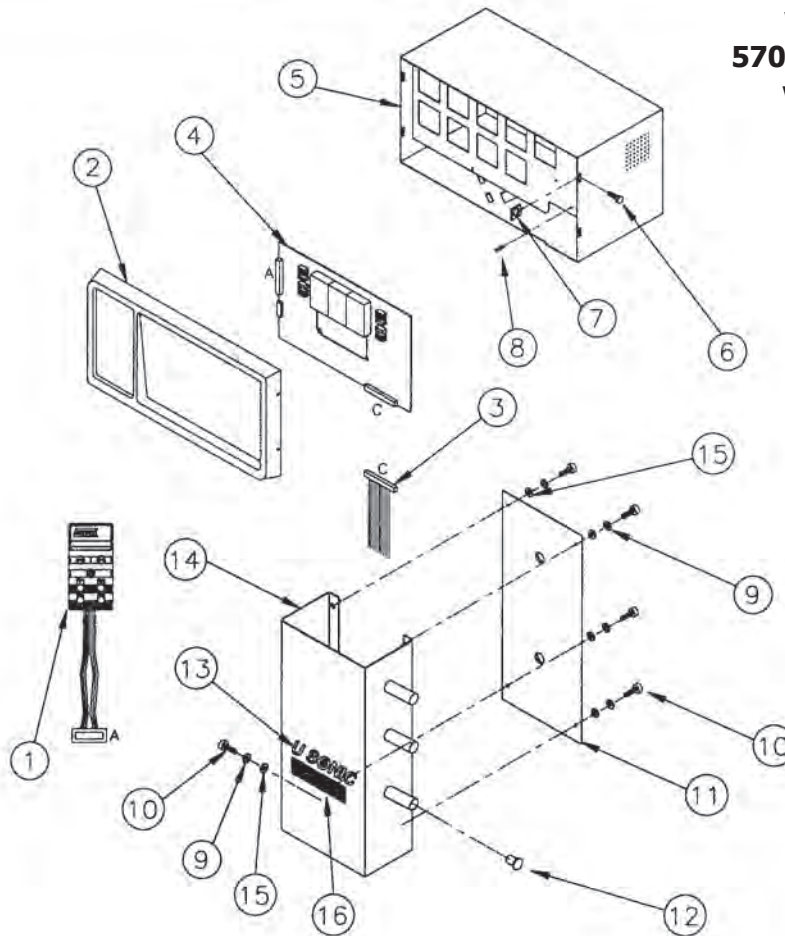
**PANZITTA SALES & SERVICE**  
72 George Avenue  
Wilkes-Barre, PA 18705  
570-822-6720 800-822-6720  
[www.panzittasales.com](http://www.panzittasales.com)





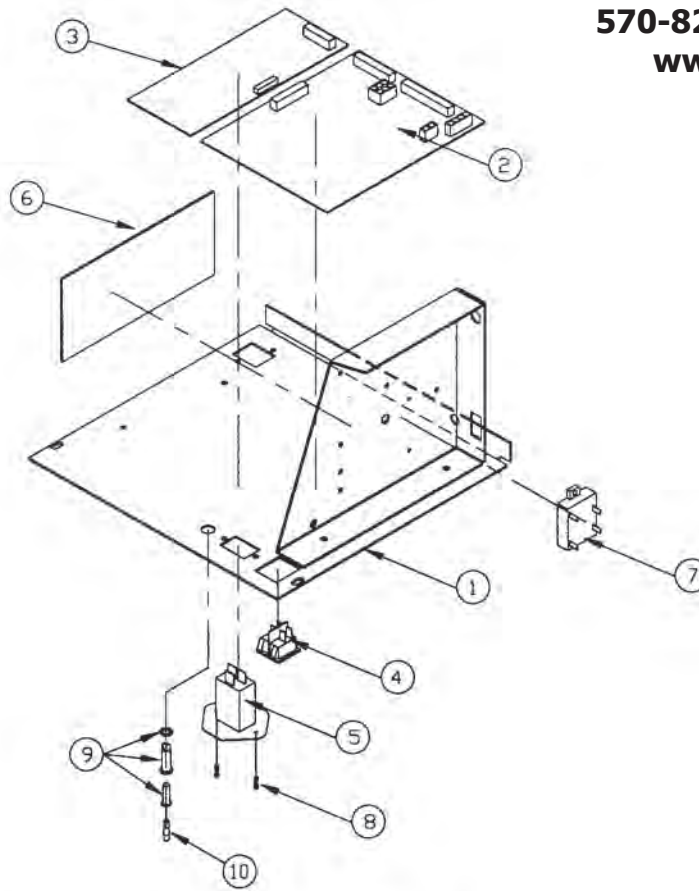
## CWB 1858 Base Assembly

Key	Description	Part Number	Key	Description	Part Number
1	Sun Line Label	B 8816	23	Ultrasonic Housing Assembly	B 8186-02
2	Hex Screw (5/16 -18 x 3/4)	B 0102-3118-12 x8	24	Nyloc Nut (5/16-18)	B 0302-3118 x4
3	Washer (5/16)	B 0205-0032 x9	25	Ultrasonic Frame Assembly	B 8187-02
4	Sun Usonic Label	B 8814	26	U-Type Clip (small)	B 3700-0002 x2
5	Sun Label	B 8815	27	CWB 1858 Label	B 8817
6	Drive Wheel (Red)	B 1155-01	28	Rubber Buffer	B 4500-0139
7	Motor Drive Assembly (110v)	B 8217-04	29	PCB Door Assembly	B 8045
8	Washer (5/16)	B 0205-0031 x5	30	Screw Hex (5/16 16-18)	B 0102-3118-10 x2
9	Spring Washer (M8)	B 0252-0080 x5	31	Bearing, Plastic	B 8274
10	Drive Wheel	B 7638	32	Reflector, Ultrasonic	B 7691
11	Back Panel Assembly	B 7673-05	33	Transducer PCB	B 8199
12	Weight Tray	B 8657	34	Timing Disk	B 1264
13	Self Tap Screw (ø4.2 x 16)	B 0974-0042-16 x2	35	Motor, 110 Volt	B 8216-01
14	Floating Assembly	B 7666-02	36	Timing Belt	B 3307-0001
15	Tray Support	B 8698-01	37	Solenoid Assembly	B 8242
16	Measuring Head Assembly	B 7305-03	38	Back Panel	B 1533-03
17	Gas Spring Kit (Frame)	B 4500-0121	39	Cover Scale	B 1581
18	Bearing	B 3001-0015	40	Tie Wrap (Balck)	B 4500-0029
19	Frame Encoder Assembly	B 8053	41	Offset Scale Assembly	B 8405-05
20	Frame Encoder Belt	B 3307-0003	42	Drive Pulley	B 3306-0007
21	Pivot Tube	B 8017-02	43	Cotter Pin 3/16 x2"	B 0718-2000
22	Frame Cable Kit	B 8685	44	Hood Shim 1.5mm	B 7816-02
			45	Set Screw M3x12	B 0453-0030-12



## CWB 1858 Display Assembly

Key	Description	Part Number	Key	Description	Part Number
1	Keypad Overlay	B 8760-02	9	Spring Washer (M6)	B 0252-0060 x5
2	Display Bezel	B 8514	10	Hex Screw (M6 x 16)	B 0152-0060-16 x5
3	Display Cable Assembly	B 8081-02	11	Display Upright Back Panel	B 8733-02
4	PCB Display Assembly	B 8197-02	12	Blanking Plug	B 3900-0019 x6
5	Display Weldment	B 8669-02	13	Usonic Label	B 8814
6	Screw ST (6-18 x 1/2)	B 0925-0618-08 x4	14	Display Upright	B 8732-02
7	U-Clip (small)	B 3700-0002 x4	15	Washer (M6)	B 0251-0060
8	PCB Stand-offs	B 3800-0033 x5	16	CWB 1858 Label	B 8817



## CWB 1858 Ultrasonic PCB Door Assembly

Key	Description	Part Number	Key	Description	Part Number
1	PCB Door Weldment	B 8149	6	PCB. PSU Assy	B 7600-0009
2	Pcb Balancer Process Assy	B 5110-007	7	5 Amp Relay	B 7701-0005
3	Display PCB Ultrasonic Assy	B 5111-007	8	M3x12 C/S Screw	B 0170-0030-12
4	On/Off Switch	B 6810-0725	9	Fuse Holder, Panel Mount	B 7102-0007
5	Mains Power Inlet Filter	B 7310-0703	10	Fuse, 20x5mm Slow Blow, 10 Amp (Type T)	7101-0100-01