

1294-R017-3_V

VSB280PRTL

LIST OF COMPONENTS
LISTE DES PIÈCES DÉTACHÉES
LISTA DE PIEZAS

PANZITTA SALES & SERVICE
72 George Avenue
Wilkes-Barre, PA 18705
570-822-6720 800-822-6720
www.panzittasales.com



THE DIAGRAMS SERVE ONLY FOR THE IDENTIFICATION OF PARTS TO BE REPLACED. THE REPLACEMENT MUST BE CARRIED OUT PROFESSIONALLY QUALIFIED PERSONNEL.

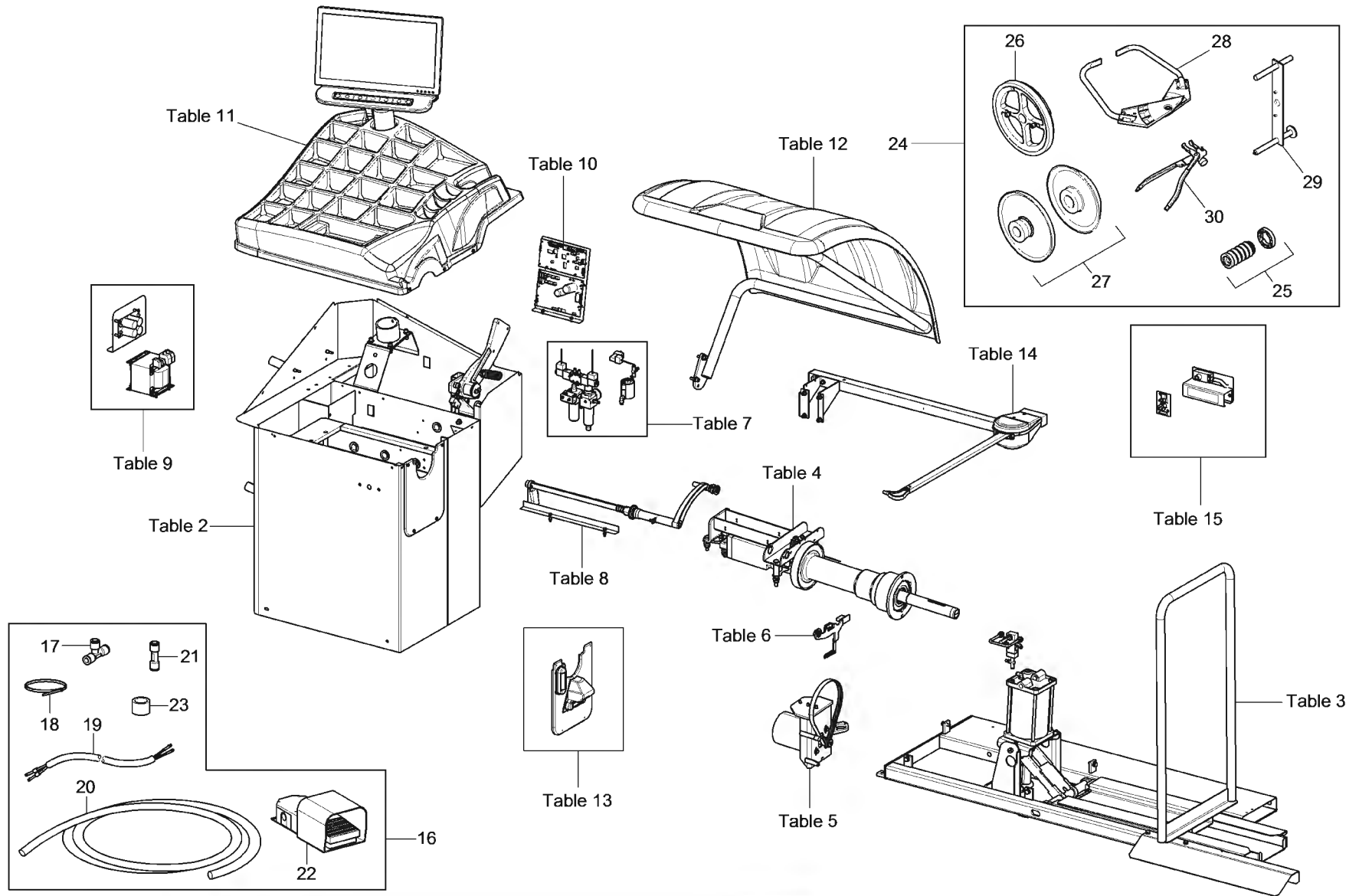


LES DESSINS NE SERVENT QU'À L'IDENTIFICATION DES PIÈCES À REMPLACER. LE REMPLACEMENT DOIT ÊTRE EFFECTUÉ PAR UN PERSONNE PROFESSIONNELLEMENT QUALIFIÉ.



LOS DIBUJOS EN DESPIECE SIRVEN ÚNICAMENTE PARA IDENTIFICAR LAS PIEZAS QUE DEBEN SUSTITUIRSE. LA SUSTITUCIÓN DE PIEZAS DEBE EFECTUARLA EXCLUSIVAMENTE PERSONAL PROFESIONALMENTE CUALIFICADO.

- For any further information please contact your local dealer.
- Pour tout renseignement complémentaire s'adresser au revendeur le Plus proche.
- En caso de dudas, para eventuales aclaraciones, póngase en contacto con el distribuidor más próximo.



PANZITTA SALES & SERVICE
 72 George Avenue
 Wilkes-Barre, PA 18705
 570-822-6720 800-822-6720
 www.panzittasales.com

LIST OF COMPONENTS
LISTE DES PIECES DETACHEES - LISTA DE PIEZAS

Table N°1 - Rev. 1

MAIN ASSEMBLY
 ASSEMBLAGE GENERAL
 JUNTO GENERAL

Page 3 of 20

VSB280PRTL

LIST OF COMPONENTS
LISTE DES PIECES DETACHEES - LISTA DE PIEZAS

MAIN ASSEMBLY
 ASSEMBLAGE GENERAL
 JUNTO GENERAL

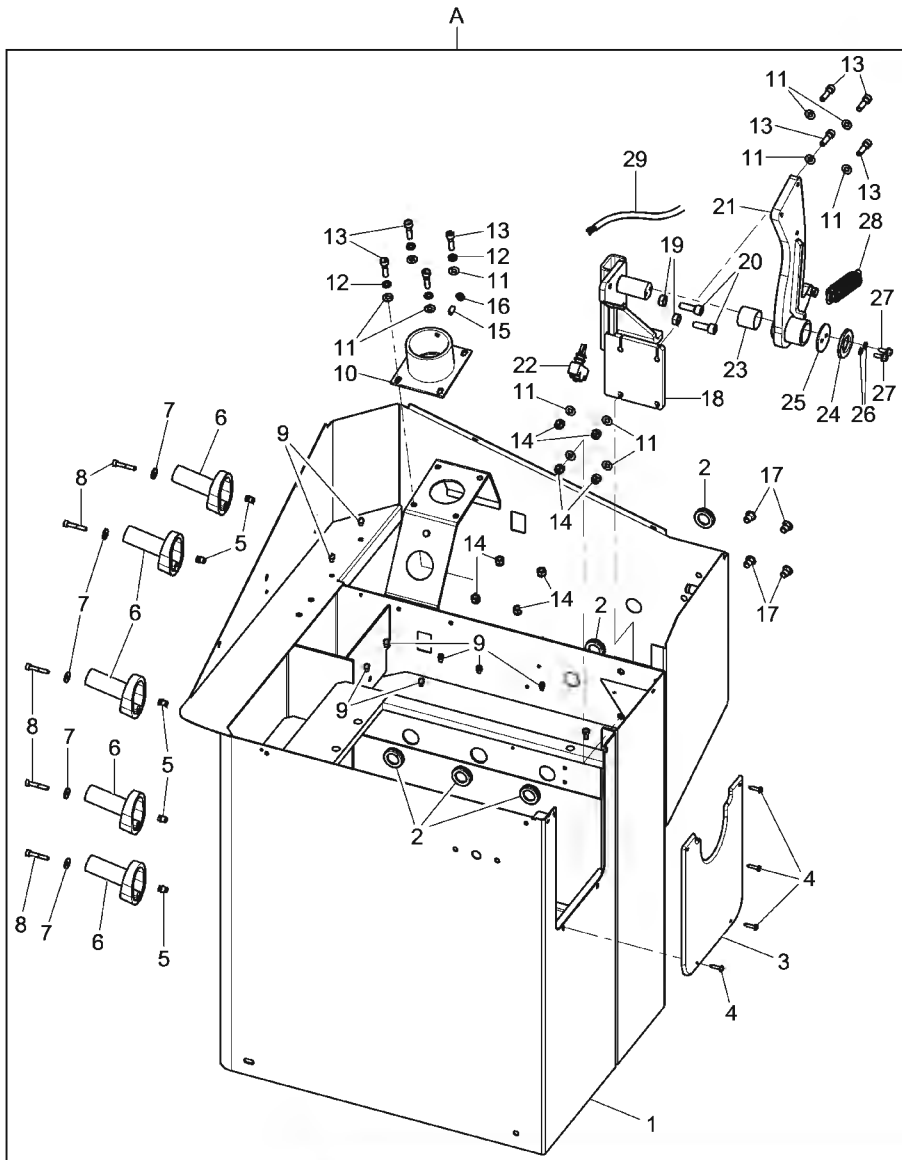
Page 4 of 20

VSB280PRTL

Table N°1 - Rev. 1

| Tab. | Cod. | Pos. | Descrizione | Description | Beschreibung | Description | Descripción |
|------|------------------------------|------|-------------|--|--------------|--|--|
| 2 | VS129491590 | | | Frame unit | | Groupe châssis | Grupo estructura |
| 3 | VS129490081 | | | Frame lifting device unit | | Groupe souleveur châssis | Grupo levantador estructura |
| 4 | VS129491790 | | | Pneumatic rotary unit | | Groupe rotatif pneumatique | Grupo giratorio neumático |
| 5 | VS129491770 | | | Trucks motor unit | | Groupe moteur camions | Grupo motor camiones |
| 6 | VS129390291 | | | Brake unit | | Groupe frein | Grupo freno |
| 7 | VS129391752 + VS129492110 | | | Pneumatic system | | Système pneumatique | Sistema neumático |
| 8 | VS129490152 | | | Distance measuring unit | | Groupe mesure distance | Grupo medición distancia |
| 9 | VS129492120 | | | Balancing machine power system unit | | Groupe installation puissance équilibréuse | Grupo instalación potencia equilibradora |
| 10 | VS129491300 | | | Electronics unit | | Groupe électronique | Grupo electrónica |
| 11 | VS129491620 | | | Board unit | | Groupe planche | Grupo tablero |
| 12 | VS129491640 | | | Wheel cover unit | | Groupe couverture roue | Grupo cobertura rueda |
| 13 | GAR328 | | | Fixed laser + lighting device (Optional) | | Laser fixe + dispositif d'éclairage (Option) | Laser fijo + iluminador (Opción) |
| 14 | GAR266T | | | Truck wheel width measuring gauge (Optional) | | Tige mesure largeur roue camions (Option) | Palpador de medida anchura rueda camiones (Opción) |
| 15 | GAR214TK | | | Truck Run-out (Optional) | | Run-out camions (Option) | Run-out camiones (Opción) |
| | VS129491970 | 16 | | Completion unit | | Groupe d'achèvement | Grupo de acabado |
| | VS325036 | 17 | | Union | | Raccord | Enlace |
| | VS319004 | 18 | | Clamp | | Collier | Abrazadera |
| | VS20099 | 19 | | Pedal microswitch cabling | | Câblage micro-interrupteur pédale | Cableado microinterruptor pedal |
| | VS511027 | 20 | | Sheath | | Gaine | Funda |
| | VS533051 | 21 | | Straight union | | Raccord droit | Enlace derecho |
| | VS518292 | 22 | | Pedal switch | | Interrupteur à pédale | Interruptor de pedal |
| | VS533054 | 23 | | Bushing | | Douille | Casquillo |
| | - | 24 | | Equipment | | Dotation | Dotación |
| | GAR351 | 25 | | Locking sleeve + pressure ring | | Manchon de blocage + anneau presseur | Manguito de bloqueo + anillo prensador |
| | GAR122 | 26 | | Trucks wheels bearing flange | | Bride appui roues camions | Brida apoyo rueda camiones |
| | GAR114 | 27 | | 2 cones D. 202-221;281 trucks | | 2 cônes D. 202-221;281 camions | 2 conos D. 202-221;281 camiones |

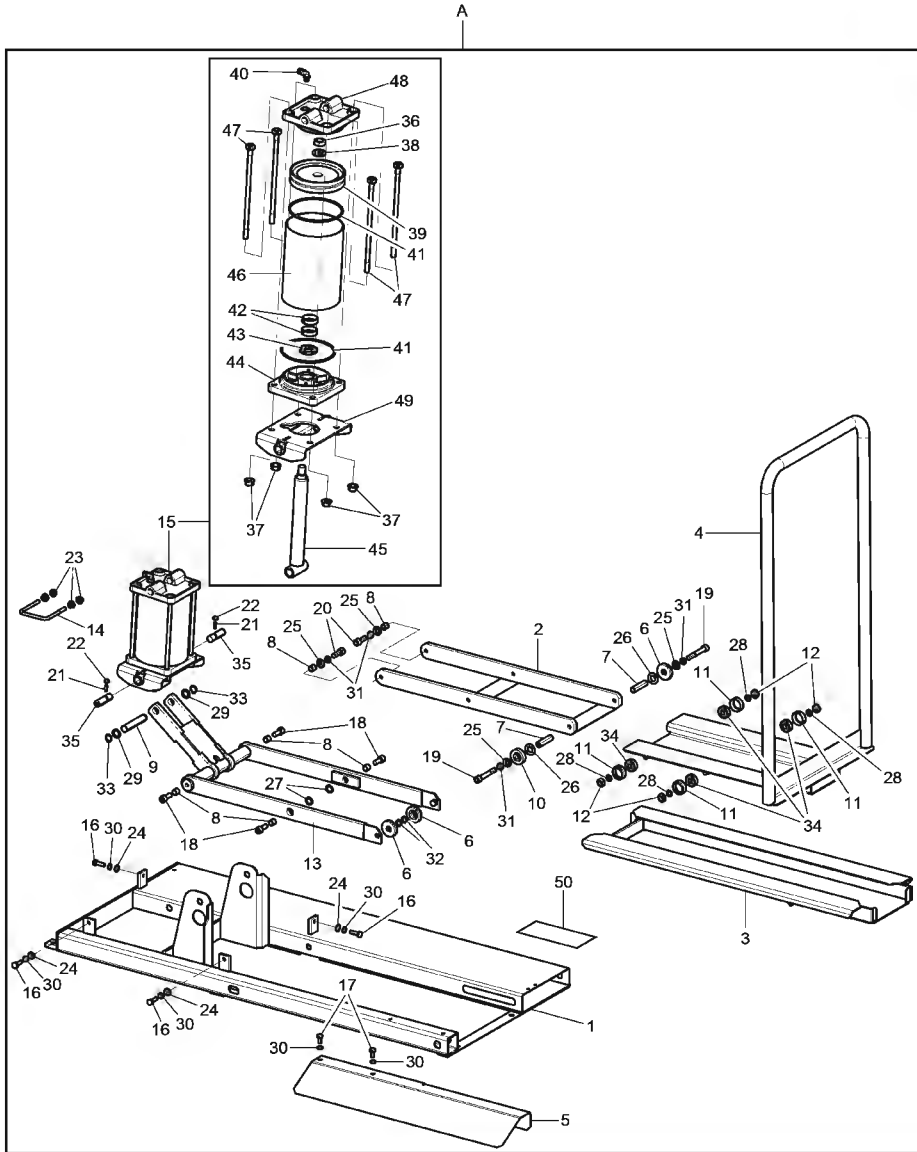
| | | | | | | | | |
|--|-------------|----|---|----------------------|--|-------------------------|------------------------|--|
| | VS129401060 | 28 | | Trucks width caliper | | Calibre largeur camions | Calibre ancho camiones | |
| | VS129480020 | 29 | | Trucks calibrator | | Régleur camions | Regulador camiones | |
| | VS1300A004 | 30 | | Pliers for weights | | Pince pour poids | Pinzas para pesos | |
| | | | | | | | | |
| | | | | | | | | |
| | | | | | | | | |
| | | | | | | | | |
| | | | | | | | | |
| | | | | | | | | |
| | | | PANZITTA SALES & SERVICE 72 George Avenue Wilkes-Barre, PA 18705 570-822-6720 800-822-6720 www.panzittasales.com | | | | | |
| | | | | | | | | |
| | | | | | | | | |
| | | | | | | | | |
| | | | | | | | | |
| | | | | | | | | |
| | | | | | | | | |
| | | | | | | | | |
| | | | | | | | | |
| | | | | | | | | |
| | | | | | | | | |
| | | | | | | | | |
| | | | | | | | | |



| N° | Code | Description | Description | Descripción |
|----|-------------|-------------------------------|-------------------------------|----------------------------------|
| 1 | VS129427561 | Frame assembly | Assemblage chassis | Ensamblado chasis |
| 2 | VS599144 | Hose clamp | Passe-câble | Pasacable |
| 3 | VS129427510 | Front carter | Carter frontal | Carter frontal |
| 4 | VS220100 | TCB 4,8x22 self-locking screw | Vis TCB auto-bloquant 4,8x22 | Tornillo TCB autoblocante 4,8x22 |
| 5 | VS251107 | M6 threaded insert | Renfort fileté M6 | Inserción fileteada M6 |
| 6 | VS129311670 | Stake | Pieu | Barrote |
| 7 | VS237011 | ø6x18 flat washer | Rondelle plane ø6x18 | Arandela plana ø6x18 |
| 8 | VS206093 | TCEI M6x35screw | Vis TCEI M6x35 | Tornillo TCEI M6x35 |
| 9 | VS251118 | M5 threaded insert | Renfort fileté M5 | Inserción fileteado M5 |
| 10 | VS129331820 | Monitor support | Support monitor | Soporte monitor |
| 11 | VS236006 | 8.4 flat washer | Rondelle plane 8.4 | Arandela plana 8.4 |
| 12 | VS238006 | 8.4 elastic washer | Rondelle elastique 8.4 | Arandela elástica 8.4 |
| 13 | VS206040 | TCEI M8x30 screw | Vis TCEI M8x30 | Tornillo TCEI M8x30 |
| 14 | VS228011 | M8 self-locking nut | Écrou auto-bloquant M8 | Tuerca autoblocante M8 |
| 15 | VS213172 | STEI M8x16 screw | Vis STEI M8x16 | Tornillo STEI M8x16 |
| 16 | VS226009 | M8 low nut | Écrou bas M8 | Tuerca baja M8 |
| 17 | VS251112 | M8 Threaded insert | Renfort fileté M8 | Inserción fileteado M8 |
| 18 | VS129427740 | Wheel cover welded support | Support soudé couverture roue | Soporte soldado cobertura rueda |
| 19 | VS224011 | M10 middle hexagonal nut | Écrou hexagonal moyen M10 | Tuerca hexagonal medio M10 |
| 20 | VS206193 | TCEI M10x30 screw | Vis TCEI M10x30 | Tornillo TCEI M10x30 |
| 21 | VS129427760 | Equalizer | Balancer | Balancín |
| 22 | VS1141400 | Limit switch | Interrupteur de fin de course | Interruptor de final de carrera |
| 23 | VS630081 | Self-lubricating bushing | Douille auto-lubrifiante | Casquillo autolubricante |
| 24 | VS129715700 | Washer | Rondelle | Arandela |
| 25 | VS129715290 | Washer | Rondelle | Arandela |
| 26 | VS253015 | 6,2x12x0,5 Belleville Washer | Ressort godet 6,2x12x0,5 | Resorte 6,2x12x0,5 |
| 27 | VS272019 | TE M6x16 screw | Vis TE M6x16 | Tornillo TE M6x16 |
| 28 | VS129427660 | Spring | Ressort | Resorte |
| 29 | VS20038 | Microswitch cable | Câble pour micro-interrupteur | Cable para microinterruptor |
| A | VS129491590 | Frame unit | Groupe chassis | Grupo estructura |

PANZITTA SALES & SERVICE
72 George Avenue
Wilkes-Barre, PA 18705
570-822-6720 800-822-6720
www.panzittasales.com

| LIST OF COMPONENTS LISTE DES PIECES DETACHEES - LISTA DE PIEZAS | | FRAME UNIT GROUPE CHASSIS GRUPO ESTRUCTURA | Page 6 of 20 |
|--|-------------|--|--------------|
| Table N°2 - Rev. 1 | VS129491590 | | |



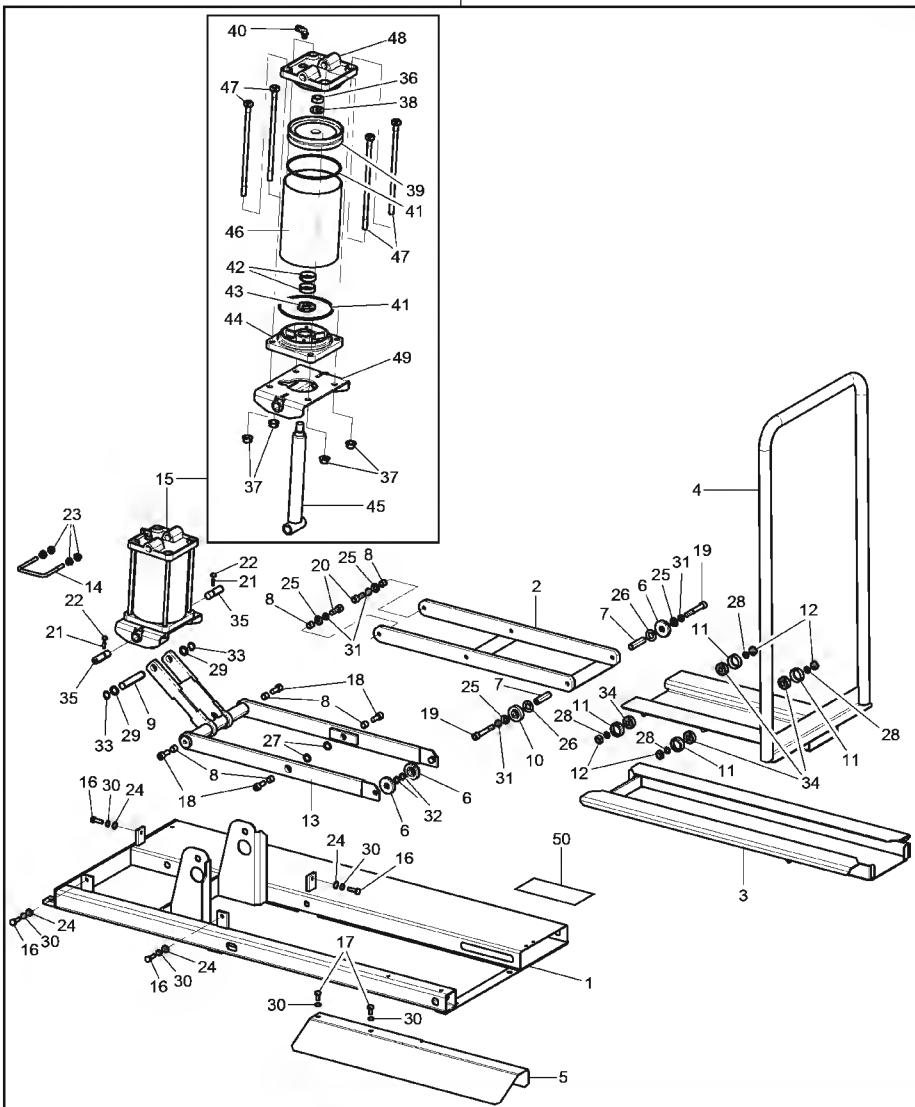
| N° | Code | Description | Description | Descripción |
|----|-------------|----------------------------------|---------------------------------|-------------------------------|
| 1 | VS129425073 | Lifting device base unit | Ensamblage embase soulevateur | Ensamblado base levantador |
| 2 | VS129425030 | Internal connecting rod assembly | Ensamblage bielle intérieure | Ensamblado biela interna |
| 3 | VS129425042 | Platform unit | Assemblage marche pied | Conjunto taburete |
| 4 | VS129425051 | Slide unit | Assemblage chariot | Ensamblado deslizador |
| 5 | VS129426340 | Ramp | Rampe | Rampa |
| 6 | VS129426350 | Roll | Rouleau | Rodillo |
| 7 | VS129426370 | Spacer | Entretoise | Distanciador |
| 8 | VS129426380 | Spacer | Entretoise | Distanciador |
| 9 | VS129426390 | Pin | Pivot | Perno |
| 10 | VS129426400 | Roll | Rouleau | Rodillo |
| 11 | VS129426410 | Roll | Rouleau | Rodillo |
| 12 | VS129426450 | Sliding block | Patin | Patin |
| 13 | VS129426970 | Connecting rod | Bielle | Biela |
| 14 | VS129427260 | Level guard | Protection levier | Protección leva |
| 15 | VS129490980 | 125x30x137 pneumatic cylinder | Cylindre pneumatique 125x30x137 | Cilindro neumático 125x30x137 |
| 16 | VS203038 | TE M8x25 screw | Vis TE M8x25 | Tornillo TE M8x25 |
| 17 | VS203172 | TE M8x16 screw | Vis TE M8x16 | Tornillo TE M8x16 |
| 18 | VS206058 | TCEI M10x25 screw | Vis TCEI M10x25 | Tornillo TCEI M10x25 |
| 19 | VS206182 | TCEI M10x70 screw | Vis TCEI M10x70 | Tornillo TCEI M10x70 |
| 20 | VS206193 | TCEI M10x30 screw | Vis TCEI M10x30 | Tornillo TCEI M10x30 |
| 21 | VS211020 | STEI M6x20 screw | Vis STEI M6x20 | Tornillo STEI M6x20 |
| 22 | VS224007 | M6 middle nut | Écrou moyen M6 | Tuerca media M6 |
| 23 | VS228501 | M8 flanged nut | Écrou flangé M8 | Tuerca rebordado M8 |
| 24 | VS236006 | 8.4 flat washer | Rondelle plane 8.4 | Arandela plana 8.4 |
| 25 | VS236007 | Fe 10.5x21x2 washer | Rondelle Fe 10.5x21x2 | Roseta Fe 10.5x21x2 |
| 26 | VS236008 | D.15 washer | Rondelle D.15 | Arandela D. 15 |
| 27 | VS237505 | Washer | Rondelle | Arandela |
| 28 | VS237517 | 10x16x0.5 shim adjustment | Rasage 10x16x0.5 | Rasamiento 10x16x0.5 |
| 29 | VS237900 | Washer | Rondelle | Arandela |
| 30 | VS238006 | 8.4 elastic washer | Rondelle elastique 8.4 | Arandela elástica 8.4 |
| 31 | VS238007 | 10.5 elastic washer | Rondelle elastique 10.5 | Arandela elástica 10.5 |
| 32 | VS243006 | External seeger 14 | Anneau de retenue extérieur 14 | Seeger externo 14 |
| 33 | VS243008 | External seeger 16 | Anneau de retenue extérieur 16 | Seeger externo 16 |
| 34 | VS603039 | 6200 2Z bearing | Roulement 6200 2Z | Rodamiento 6200 2Z |
| 35 | VS951510390 | Pin | Pivot | Perno |
| 36 | VS226018 | M16 low nut | Écrou bas M16 | Tuerca baja M16 |
| 37 | VS228502 | M10 flange nut | Écrou flangé M10 | Tuerca rebordado M10 |
| 38 | VS236020 | 17 flat washer | Rondelle plane 17 | Arandela plana 17 |
| 39 | VS321026 | Piston | Piston | Pistón |
| 40 | VS325117 | Union | Raccord | Enlace |
| 41 | VS401159 | OR | OR | OR |
| 42 | VS410008 | Guide ring | Anneau de guide | Anillo de guía |
| 43 | VS416501 | NSW gasket | Joint NSW | Junta NSW |
| 44 | VS3205000 | Front flange | Bride antérieur | Brida anterior |

PANZITTA SALES & SERVICE
72 George Avenue
Wilkes-Barre, PA 18705
570-822-6720 800-822-6720
www.panzittasales.com

| LIST OF COMPONENTS LISTE DES PIÈCES DÉTACHÉES - LISTA DE PIEZAS | |
|--|-------------|
| Table N°3 - Rev. 1 | VS129490081 |

FRAME LIFTING DEVICE UNIT
 GROUPE SOULÈVATEUR CHÂSSIS
 GRUPO LEVANTADOR ESTRUCTURA

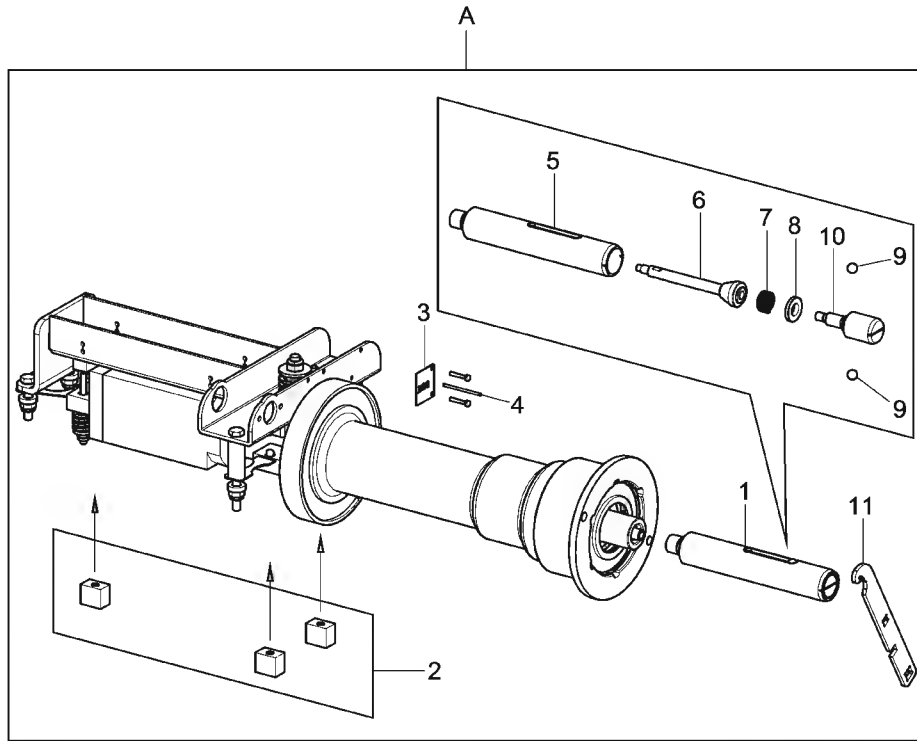
A



| N° | Code | Description | Description | Descripción |
|----|-------------|---------------------------|----------------------------|-----------------------------|
| 45 | VS129426920 | D.30 rod | Tige D.30 | Vástago D.30 |
| 46 | VS129426890 | Cylinder barrel | Gaine cylindre | Caño cilindro |
| 47 | VS129426900 | M10 tie rod assembly | Assemblage tirant M10 | Conjunto tirante M10 |
| 48 | VS710010060 | Rear flange | Bride postérieur | Brida posterior |
| 49 | VS129426850 | Piston flange | Bride piston | Brida pistón |
| 50 | VS999916980 | 200 Kg capacity plate | Plaquette capacité 200 Kg | Placa capacidad 200 Kg |
| A | VS129490081 | Frame lifting device unit | Groupe soulévateur châssis | Grupo levantador estructura |
| | | | | |
| | | | | |
| | | | | |
| | | | | |
| | | | | |
| | | | | |
| | | | | |
| | | | | |
| | | | | |
| | | | | |
| | | | | |
| | | | | |
| | | | | |
| | | | | |
| | | | | |
| | | | | |
| | | | | |
| | | | | |
| | | | | |
| | | | | |
| | | | | |
| | | | | |
| | | | | |
| | | | | |
| | | | | |
| | | | | |
| | | | | |
| | | | | |
| | | | | |
| | | | | |
| | | | | |
| | | | | |
| | | | | |
| | | | | |

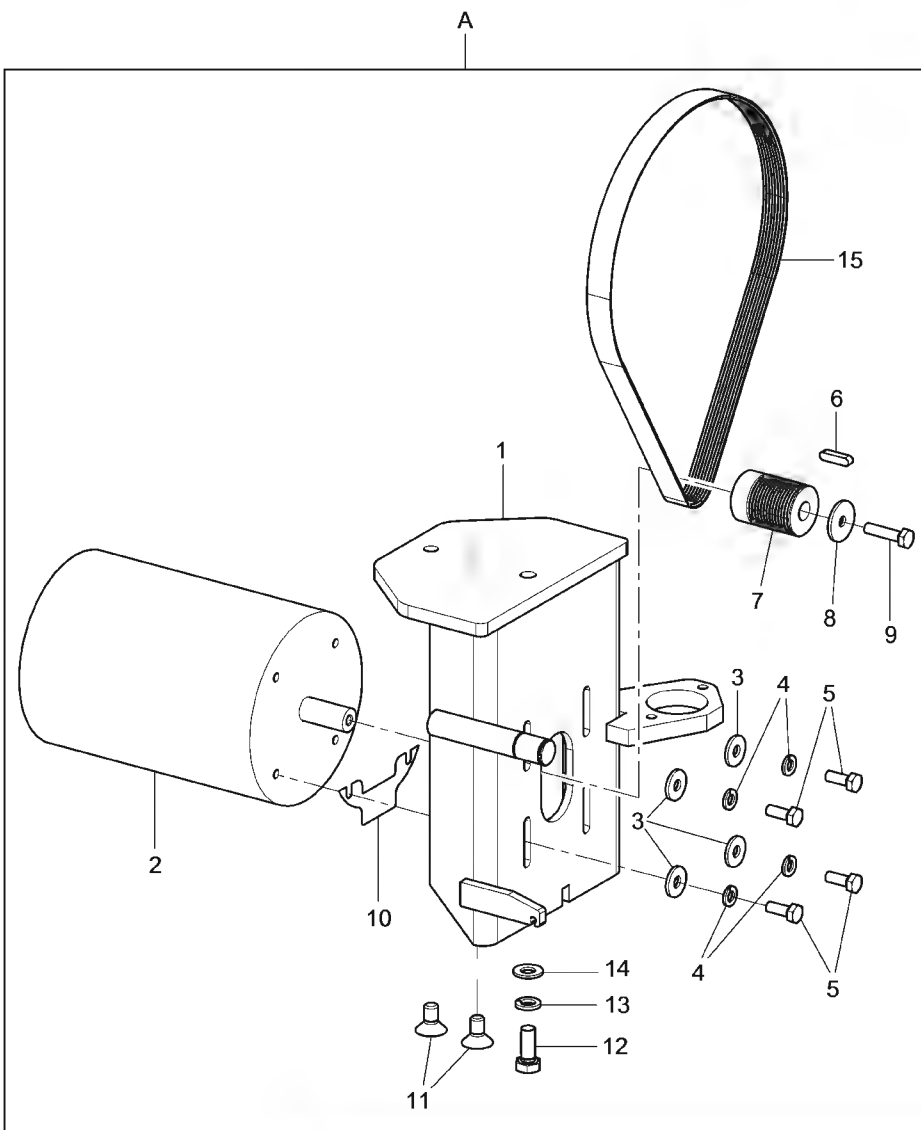
PANZITTA SALES & SERVICE
72 George Avenue
Wilkes-Barre, PA 18705
570-822-6720 800-822-6720
www.panzittasales.com

| | | | |
|--------------------|---|--|---------------------|
| Table N°3 - Rev. 1 | LIST OF COMPONENTS LISTE DES PIECES DETACHEES - LISTA DE PIEZAS | FRAME LIFTING DEVICE UNIT GROUPE SOULÉVATEUR CHÂSSIS GRUPO LEVANTADOR ESTRUCTURA | Page 8 of 20 |
| | VS129490081 | | VSB280PRTL |



| N° | Code | Description | Description | Descripción |
|----|-------------|---|-----------------------------------|-----------------------------------|
| 1 | VS129492060 | Terminal pin mounting | Montage pivot terminal | Montaje perno terminal |
| 2 | VS15128 | 3 Piezo kit | Kit 3 piézo | Kit 3 piezo |
| 3 | VS16362 | Encoder board | Carte encoder | Tarjeta encoder |
| 4 | VS15018 | Board cable | Câble pour carte | Cable para tarjeta |
| 5 | VS129428790 | Terminal pin | Pivot terminal | Perno terminal |
| 6 | VS129428920 | Ball rod | Tige pour sphères | Vástago para esferas |
| 7 | VS950001690 | Spring | Ressort | Resorte |
| 8 | VS129311520 | Spring presser | Presse-ressort | Prensa-resorte |
| 9 | VS699033 | D.12 ball | Sphère D.12 | Esfera D.12 |
| 10 | VS129428930 | Ball guide pin | Pivot guide sphères | Perno guía esferas |
| 11 | VS129722840 | Wrench for pneumatic shaft kit assembly | Clé montage kit arbre pneumatique | Llave montaje kit árbol neumático |
| A | VS129491790 | Pneumatic rotary unit | Groupe rotatif pneumatique | Grupo giratorio neumático |
| | | | | |
| | | | | |
| | | | | |
| | | | | |
| | | | | |
| | | | | |
| | | | | |
| | | | | |
| | | | | |
| | | | | |
| | | | | |
| | | | | |
| | | | | |
| | | | | |
| | | | | |
| | | | | |
| | | | | |
| | | | | |
| | | | | |

PANZITTA SALES & SERVICE
72 George Avenue
Wilkes-Barre, PA 18705
570-822-6720 800-822-6720
www.panzittasales.com



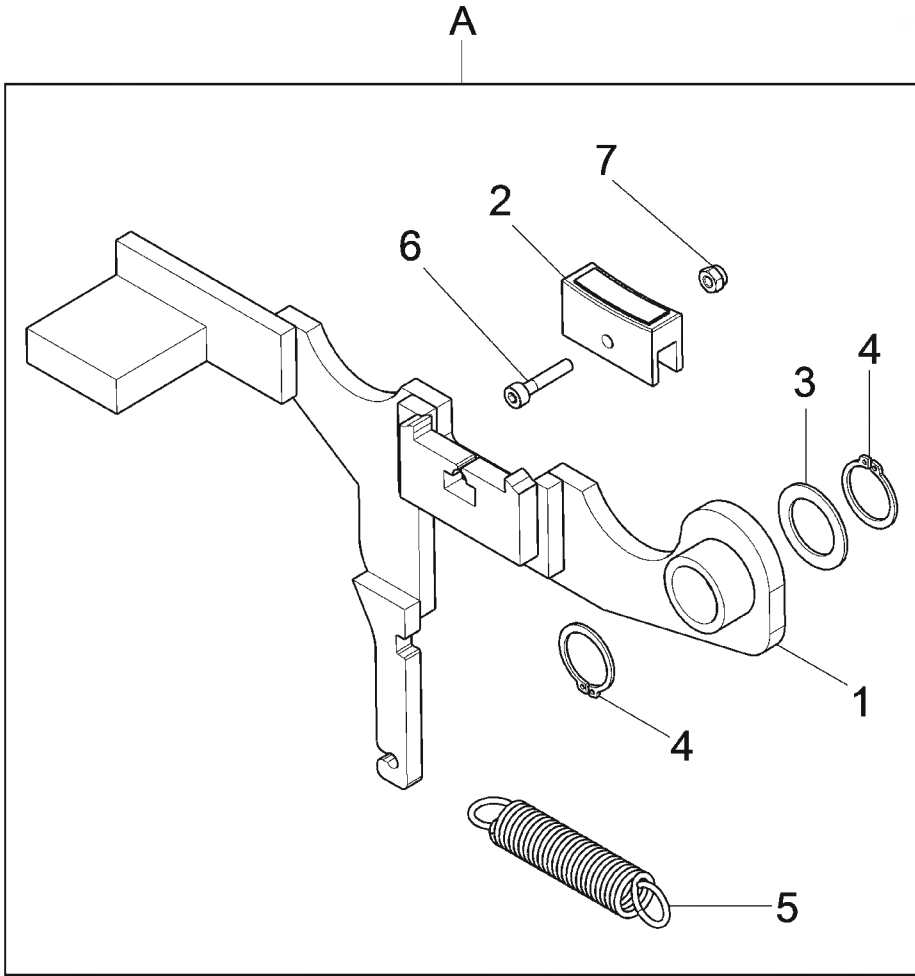
| N° | Code | Description | Description | Descripción |
|----|-------------|------------------------|---------------------------|--------------------------|
| 1 | VS129428600 | Motor support assembly | Assemblage support moteur | Ensamblado soporte motor |
| 2 | VS900003750 | Motor | Moteur | Motor |
| 3 | VS237011 | ø6x18 flat washer | Rondelle plane ø6x18 | Arandela plana ø6x18 |
| 4 | VS238004 | 6.4 elastic washer | Rondelle elastique 6.4 | Arandela elástica 6.4 |
| 5 | VS203019 | TE M6x16 screw | Vis TE M6x16 | Tornillo TE M6x16 |
| 6 | VS231021 | Tongue | Langquette | Lengüeta |
| 7 | VS129411211 | Pulley | Poulie | Polea |
| 8 | VS237046 | 6x24x2 flat washer | Rondelle plane 6x24x2 | Arandela plana 6x24x2 |
| 9 | VS203127 | TE M6x25 screw | Vis TE M6x25 | Tornillo TE M6x25 |
| 10 | VS129426570 | 0,3 mm thickness | Épaisseur 0,3 mm | Espesor 0,3 mm |
| 11 | VS209172 | TSPEI M8x16 screw | Vis TSPEI M8x16 | Tornillo TSPEI M8x16 |
| 12 | VS203035 | TE M8x20 screw | Vis TE M8x20 | Tornillo TE M8x20 |
| 13 | VS238006 | 8.4 elastic washer | Rondelle elastique 8.4 | Arandela elástica 8.4 |
| 14 | VS236006 | 8.4 flat washer | Rondelle plane 8.4 | Arandela plana 8.4 |
| 15 | VS412133 | Belt | Courroie | Cinta |
| 16 | VS129426560 | 0,2 mm thickness | Épaisseur 0,2 mm | Espesor 0,2 mm |
| A | VS129491770 | Trucks motor unit | Groupe moteur camions | Grupo motor camiones |

PANZITTA SALES & SERVICE
72 George Avenue
Wilkes-Barre, PA 18705
570-822-6720 800-822-6720
www.panzittasales.com

| | | | |
|---------------------------|--|--|----------------------|
| | LIST OF COMPONENTS LISTE DES PIECES DETACHEES - LISTA DE PIEZAS | TRUCKS MOTOR UNIT GROUPE MOTEUR CAMIONS GRUPO MOTOR CAMIONES | Page 10 of 20 |
| Table N°5 - Rev. 1 | VS129491770 | | VS280PRTL |

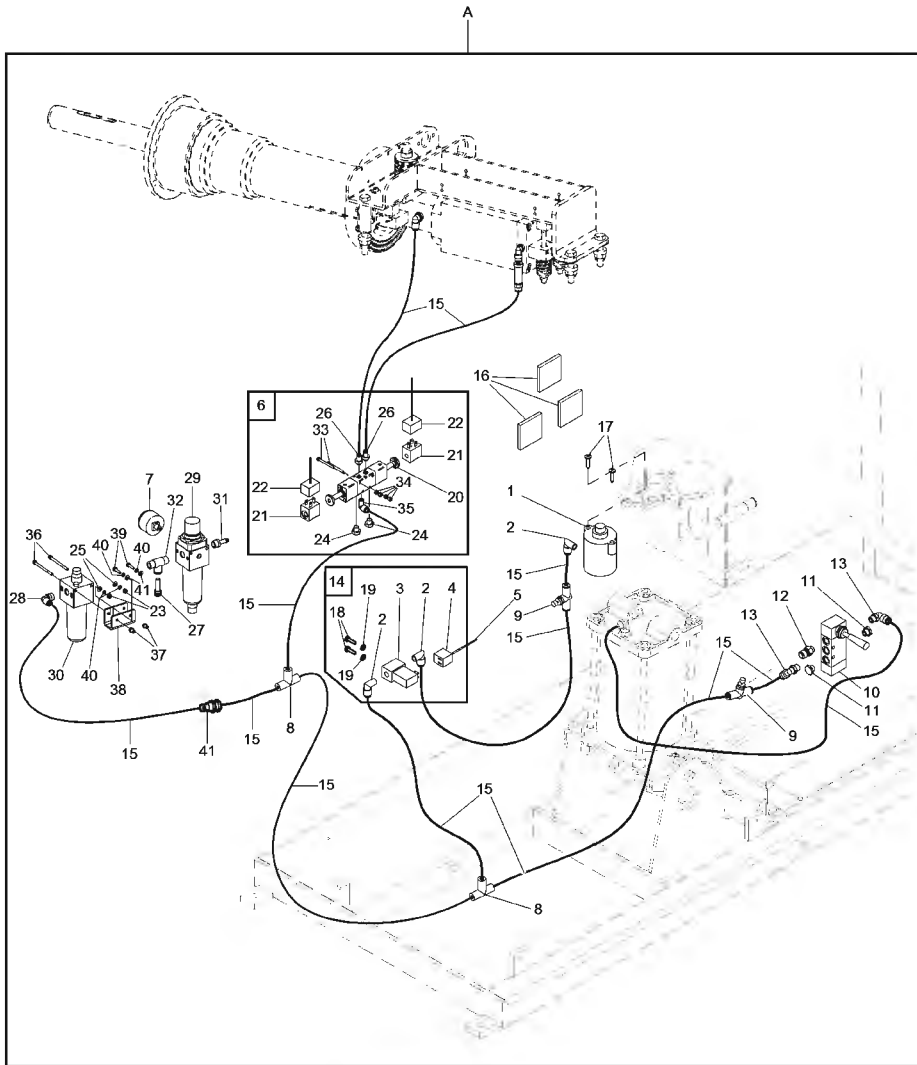
| N° | Code | Description | Description | Descripción |
|----|------|-------------|-------------|-------------|
|----|------|-------------|-------------|-------------|

| | | | | |
|---|-------------|-------------------------|--------------------------------|-----------------------------|
| 1 | VS129330431 | Brake lever | Levier frein | Palanca freno |
| 2 | VS129612180 | Plug nut | Pastille | Pastilla |
| 3 | VS237519 | 30x42x0.5 washer | Rondelle 15x22x1 | Arandela 15x22x1 |
| 4 | VS243007 | External seeger 15 | Anneau de retenue extérieur 15 | Seeger externo 15 |
| 5 | VS129717310 | Spring | Ressort | Resorte |
| 6 | VS206319 | TCEI M3x16 screw | Vis TCEI M3x16 | Tornillo TCEI M3x16 |
| 7 | VS228037 | M3 low self-locking nut | Écrou auto-bloquant bas M3 | Tuerca autoblocante bajo M3 |
| A | VS129390291 | Brake unit | Groupe frein | Grupo freno |



PANZITTA SALES & SERVICE
72 George Avenue
Wilkes-Barre, PA 18705
570-822-6720 800-822-6720
www.panzittasales.com

| | | | |
|--|--------------------|---|----------------------|
| LIST OF COMPONENTS LISTE DES PIÈCES DÉTACHÉES - LISTA DE PIEZAS | | BRAKE UNIT GROUPE FREIN GRUPO FRENO | Page 11 of 20 |
| Table N°6 - Rev. 1 | VS129390291 | | VSB280PRTL |



| N° | Code | Description | Description | Descripción |
|----|---------------------------|--------------------------|--------------------------|----------------------------|
| 1 | VS058098011 | Cylinder | Cylindre | Cilindro |
| 2 | VS325123 | 6 1/8" L union | Raccord à L 6 1/8" | Enlace a L 6 1/8" |
| 3 | VS322044 | Solenoid valve | Electrovanne | Electroválvula |
| 4 | VS322022 | Connector | Connecteur | Conector |
| 5 | VS15450 | Solenoid valve cable | Câble pour électrovanne | Cable para electroválvula |
| 6 | VS129398041 | Solenoid valve unit | Groupe électrovanne | Grupo electroválvula |
| 7 | VS909026 | D. 40 pressure gauge | Manomètre D. 40 | Manómetro D. 40 |
| 8 | VS325036 | Union | Raccord | Enlace |
| 9 | VS399275 | Flow regulator | Regulateur de débit | Regulación de flujo |
| 10 | VS309130 | Distributor | Distributeur | Distribuidor |
| 11 | VS311001 | Cap | Bouchon | Tapa |
| 12 | VS399264 | 1/8" adjustable silencer | Silencieux réglable 1/8" | Silenciador regulable 1/8" |
| 13 | VS325108 | Union | Raccord | Enlace |
| 14 | VS129398070 | Solenoid valve assembly | Montage électrovanne | Montaje electroválvula |
| 15 | VS317006 | Rilsan tube 6x4 | Tuyau 6x4 noir | Tubo 6x4 negro |
| 16 | VS599095 | Collar | Collier | Collar |
| 17 | VS220084 | 4.2x22 TCB screw | Vis TCB4.2x22 | Tornillo TCB 4.2x22 |
| 18 | VS203167 | TE M4x10 screw | Vis TE M4x10 | Tornillo TE M4x10 |
| 19 | VS236025 | D. 4.3x9x0.8 washer | Rondelle d. 4.3x9x0,8 | Roseta d. 4.3x9x0,8 |
| 20 | VS322063 | Solenoid valve | Electrovanne | Electroválvula |
| 21 | VS322064 | Coil | Bobine | Bobina |
| 22 | VS322065 | Connector | Connecteur | Conector |
| 23 | VS222003 | M4 high hexagonal nut | Écrou hexagonal haut M4 | Tuerca hexagonal alta M4 |
| 24 | VS399230 | Silencer | Silencieux | Silenciador |
| 25 | VS236025 | D. 4.3x9x0.8 washer | Rondelle d. 4.3x9x0,8 | Roseta d. 4.3x9x0,8 |
| 26 | VS325111 | 6-1/8" straight union | Raccord droit 6-1/8" | Enlace derecho 6-1/8" |
| 27 | VS325151 | Tappo | Bouchon | Tapa |
| 28 | VS325117 | Union | Raccord | Enlace |
| 29 | VS399254 | 1/4 regulator filter | Filtre regulateur 1/4 | Filtro regulador 1/4 |
| 30 | VS399238 | 1/4 lubricator | Lubrificateur 1/4 | Lubricador 1/4 |
| 31 | VS303015 | M 1/4-7 rapid coupling | Embryage mâle M 1/4"-7 | Empalme macho M 1/4-7 |
| 32 | VS325148 | T middle union | Raccord intermédiaire T | Conector intermedio T |
| 33 | VS216234 | TC M4x40 screw | Vis TC M4x40 | Tornillo TC M4x40 |
| 34 | VS222003 | M4 high hexagonal nut | Écrou hexagonal haut M4 | Tuerca hexagonal alta M4 |
| 35 | VS325123 | 6 1/8" L union | Raccord à L 6 1/8" | Enlace a L 6 1/8" |
| 36 | VS206358 | TCEI M4x55 screw | Vis TCEI M4x55 | Tornillo TCEI M4x55 |
| 37 | VS251113 | Threaded insert | Renfort fileté | Inserción fileteada |
| 38 | VS129312110 | Support | Support | Soporte |
| 39 | VS203194 | TE M4x16 screw | Vis TE M4x16 | Tornillo TE M4x16 |
| 40 | VS238025 | 4.3 elastic washer | Rondelle élastique 4.3 | Arandeta elástica 4.3 |
| 41 | VS325056 | Plate-pass union | Raccord passe-tôle | Enlace pasachapa |
| A | VS129391752 + VS129492110 | Pneumatic system | Système pneumatique | Sistema neumático |

PANZITTA SALES & SERVICE
72 George Avenue
Wilkes-Barre, PA 18705
570-822-6720 800-822-6720
www.panzittasales.com

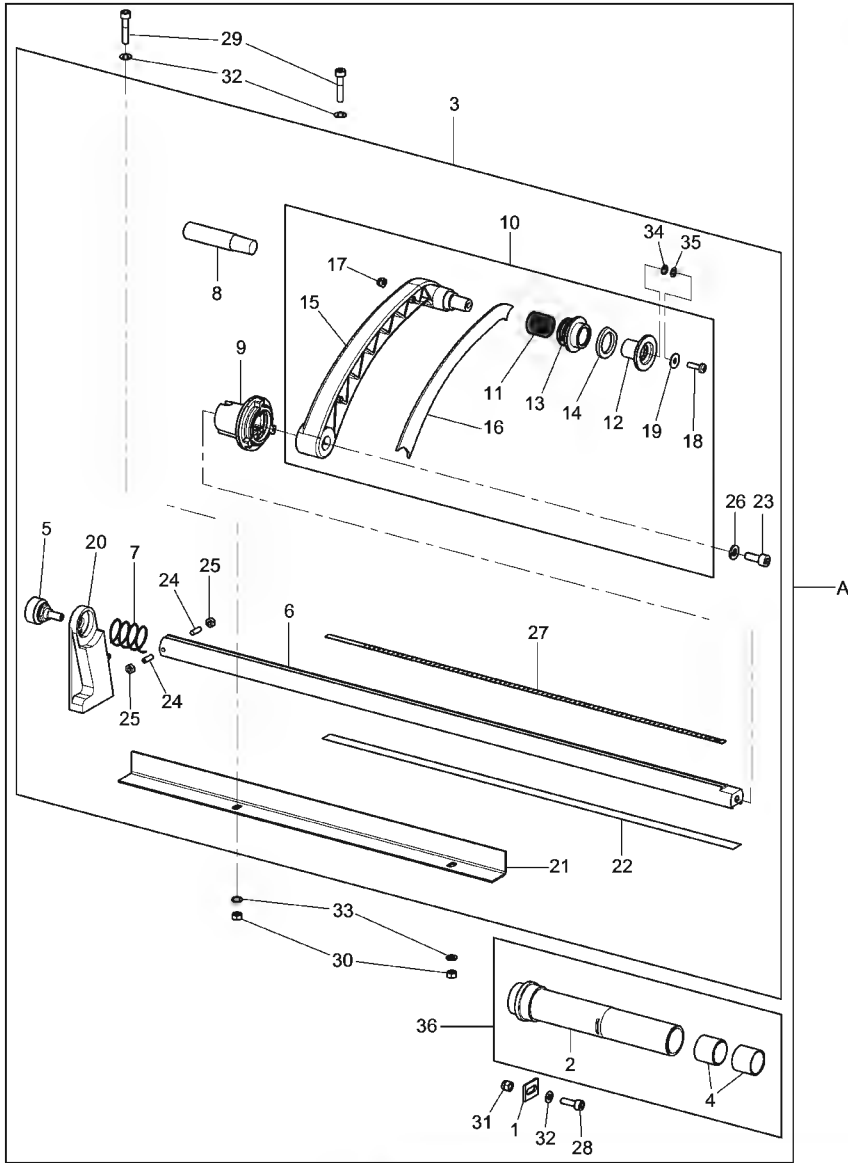
| LIST OF COMPONENTS LISTE DES PIÈCES DÉTACHÉES - LISTA DE PIEZAS | |
|--|---------------------------|
| Table N°7 - Rev. 1 | VS129391752 + VS129492110 |

PNEUMATIC SYSTEM
 SYSTÈME PNEUMATIQUE
 SISTEMA NEUMÁTICO

Page 12 of 20

VS280PRTL

1294-R017-3_V



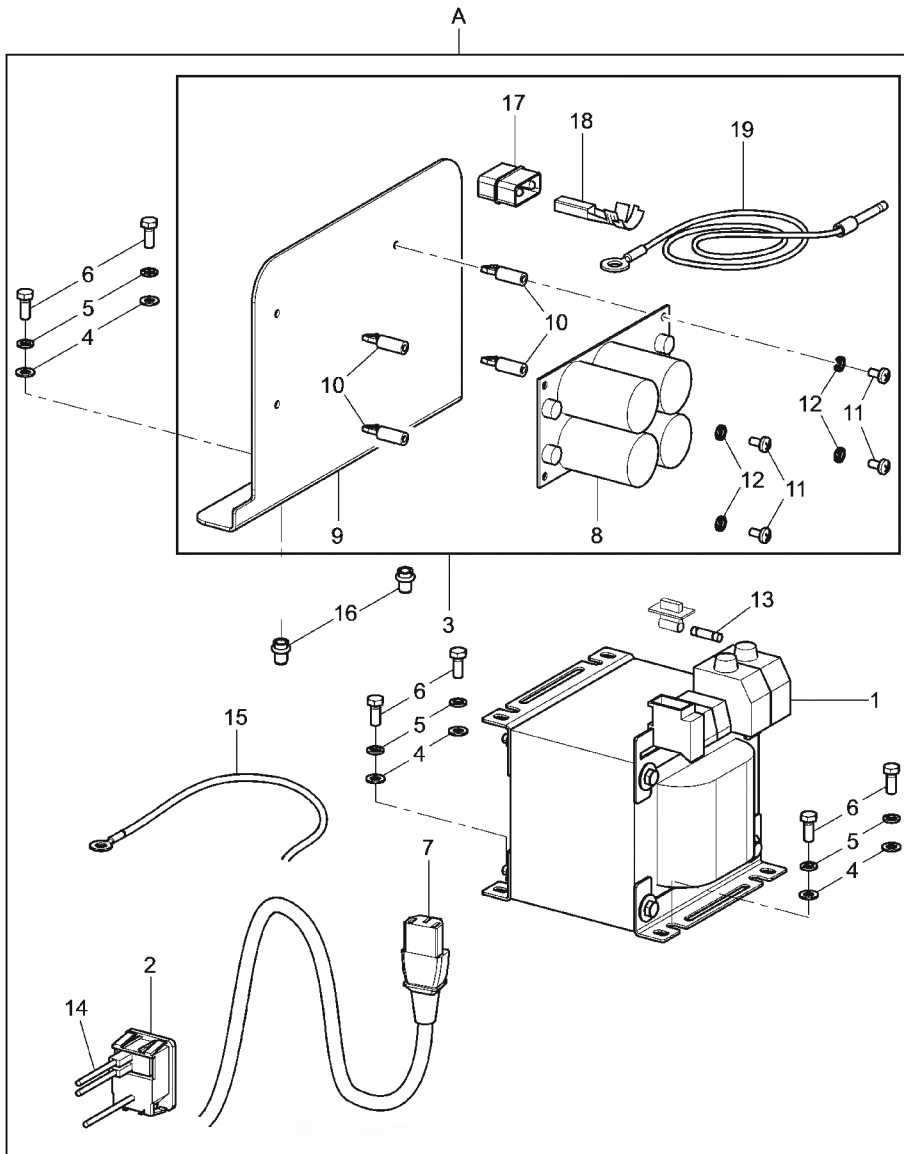
| N° | Code | Description | Description | Descripción |
|----|-------------|----------------------------------|---------------------------------------|-----------------------------------|
| 1 | VS129311700 | Tester fixing plate | Plaquette fixage mesureur | Placa fijador medidor |
| 2 | VS129426690 | Support | Support | Soporte |
| 3 | VS17628 | 26" car caliper | Calibre auto 26" | Calibre automóvil 26" |
| 4 | VS129716640 | Bushing | Douille | Casquillo |
| 5 | VS15019 | Potentiometer | Potentiomètre | Potenciómetro |
| 6 | VS15166 | Rod | Tige | Asta |
| 7 | VS15170 | Spring | Ressort | Resorte |
| 8 | VS15182 | Support | Support | Soporte |
| 9 | VS15468 | Encoder board with bush | Carte encoder avec douille | Tarjeta encoder con casquillo |
| 10 | VS16714 | Arm kit for 26" automatic tester | Kit bras pour calibre automatique 26" | Kit brazo para calibre automático |
| 11 | VS14785 | Spring | Ressort | Resorte |
| 12 | VS129717480 | Roller | Rouleau | Rodillo |
| 13 | VS14790 | Bushing | Douille | Casquillo |
| 14 | VS129717490 | Disc | Disque | Disco |
| 15 | VS16395 | Arm | Bras | Brazo |
| 16 | VS16396 | Cover | Couvercle | Tapa |
| 17 | VS228036 | M4 low self-locking nut | Écrou auto-bloquant bas M4 | Tuerca autoblocante bajo M4 |
| 18 | VS270158 | TCB M4x14 screw | Vis TCB M4x14 | Tornillo TCB M4x14 |
| 19 | VS129717500 | Split washer | Rondelle fendue | Arandela cizallada |
| 20 | VS17125 | Counter weight | Contre-poids | Contrapeso |
| 21 | VS17358 | Counter weight guide | Guide pour contre-poids | Guía para contrapeso |
| 22 | VS17582 | Line | Ligne | Línea |
| 23 | VS206018 | TCEI M6x16 screw | Vis TCEI M6x16 | Tornillo TCEI M6x16 |
| 24 | VS213159 | STEI M4x12 screw | Vis STEI M4x12 | Tornillo STEI M4x12 |
| 25 | VS224003 | M4 middle nut | Écrou moyen M4 | Tuerca media M4 |
| 26 | VS236004 | 6,4 flat washer | Rondelle plane 6,4 | Arandela plana 6,4 |
| 27 | VS129614790 | Graduated rod | Tige graduée | Asta graduada |
| 28 | VS206146 | TCEI M5x16 screw | Vis TCEI M5x16 | Tornillo TCEI M5x16 |
| 29 | VS206209 | TCEI M5x25 screw | Vis TCEI M5x25 | Tornillo TCEI M5x25 |
| 30 | VS226005 | M5 low hexagonal nut | Écrou hexagonal bas M5 | Tuerca hexagonal baja M5 |
| 31 | VS228009 | M5 self-locking nut | Écrou auto-bloquant M5 | Tuerca autoblocante M5 |
| 32 | VS236026 | 5,3 washer | Rondelle 5,3 | Arandela 5,3 |
| 33 | VS238026 | Elastic washer | Rondelle élastique | Arandela elástica |
| 34 | VS237581 | Thickness washer | Rondelle d'épaisseur | Arandela de espesor |
| 35 | VS237582 | Thickness washer | Rondelle d'épaisseur | Arandela de espesor |
| 36 | VS129492270 | Calliper support unit | Groupe support calibre | Grupo soporte calibre |
| A | VS129490152 | Distance measurin unit | Groupe mesure distance | Grupo medición distancia |

PANZITTA SALES & SERVICE
72 George Avenue
Wilkes-Barre, PA 18705
570-822-6720 800-822-6720
www.panzittasales.com

| LIST OF COMPONENTS LISTE DES PIÈCES DÉTACHÉES - LISTA DE PIEZAS | |
|--|-------------|
| Table N°8 - Rev. 2 | VS129490152 |

| |
|--|
| DISTANCE MEASURIN UNIT GROUPE MESURE DISTANCE GRUPO MEDICIÓN DISTANCIA |
|--|

| |
|---------------|
| Page 13 of 20 |
| VSB280PRTL |



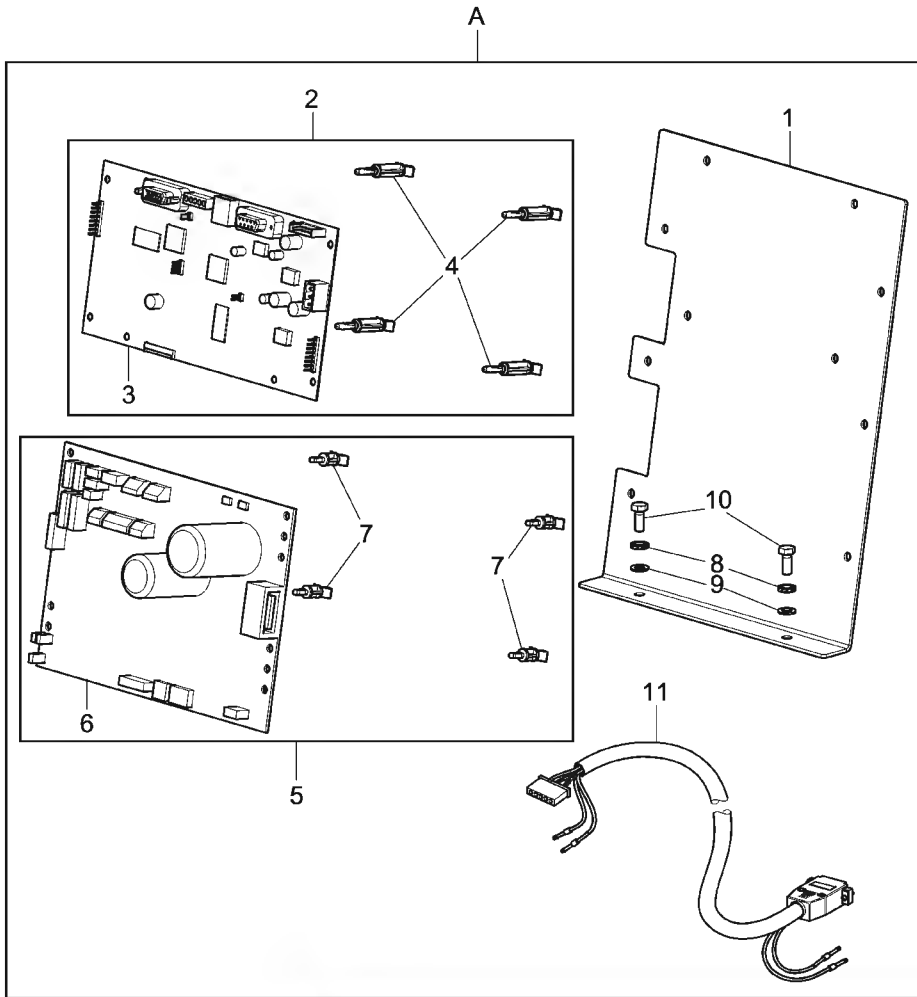
| N° | Code | Description | Description | Descripción |
|----|--------------|---------------------------------------|--|--|
| 1 | VS528062 | 600VA transformer | Transformateur 600VA | Transformador 600VA |
| 2 | VS16407 | Switch | Interrupteur | Interruptor |
| 3 | VS19673B | Power card kit | Kit carte puissance | Kit tarjeta potencia |
| 4 | VS236026 | 5.3 washer | Rondelle 5.3 | Arandela 5.3 |
| 5 | VS238026 | Elastic washer | Rondelle élastique | Arandela elástica |
| 6 | VS203207 | TE M5x12 screw | Vis TE M5x12 | Tornillo TE M5x12 |
| 7 | VS19067 | Power cable | Câble alimentation | Cable alimentación |
| 8 | VS19594 | Power card | Carte puissance | Ficha potencia |
| 9 | VS129720660 | Power card support | Support carte puissance | Soporte tarjeta potencia |
| 10 | VSN517077700 | Card fastener part | Élément fixage carte | Elemento fijado tarjeta |
| 11 | VS270228 | TCB M4x8 screw | Vis TCB M4x8 | Tornillo TCB M4x8 |
| 12 | VS239018 | 4.3 toothed washer | Rondelle dentée 4.3 | Roseta dentada 4.3 |
| 13 | VS507113 | Fuse | Fusible | Fusible |
| 14 | VS16695 | Cable from main switch to transformer | Câble de interrupteur à transformateur | Cable de interruptor a transformador |
| 15 | VS129311560 | Ground cable | Erdungskabel | Cable de tierra |
| 16 | VS251118 | M5 threaded insert | Renfort fileté M5 | Inserción fileteado M5 |
| 17 | VS17114 | Connector | Verbinder | Conector |
| 18 | VS17115 | Contact for connector | Contacteur pour connecteur | Contactador para conector |
| 19 | VS20128 | Cable from transformer to power board | Câble de transformateur à carte de puissance | Cable de transformador a tarjeta de potencia |
| A | VS129491310 | Balancing machine power system unit | Groupe installation puissance équilibréuse | Grupo instalación potencia equilibradora |
| | | | | |
| | | | | |
| | | | | |
| | | | | |
| | | | | |
| | | | | |
| | | | | |
| | | | | |
| | | | | |
| | | | | |
| | | | | |
| | | | | |
| | | | | |
| | | | | |
| | | | | |
| | | | | |
| | | | | |
| | | | | |
| | | | | |

PANZITTA SALES & SERVICE
72 George Avenue
Wilkes-Barre, PA 18705
570-822-6720 800-822-6720
www.panzittasales.com

| | | | | |
|--|--|--------------------|--|----------------------|
| | LIST OF COMPONENTS LISTE DES PIÈCES DÉTACHÉES - LISTA DE PIEZAS | | | Page 14 of 20 |
| | Table N°9 - Rev. 1 | VS129492120 | BALANCING MACHINE POWER SYSTEM UNIT GROUPE INSTALLATION PUISSANCE ÉQUILIBREUSE GRUPO INSTALACIÓN POTENCIA EQUILIBRADORA | |
| | | | VS280PRTL | |

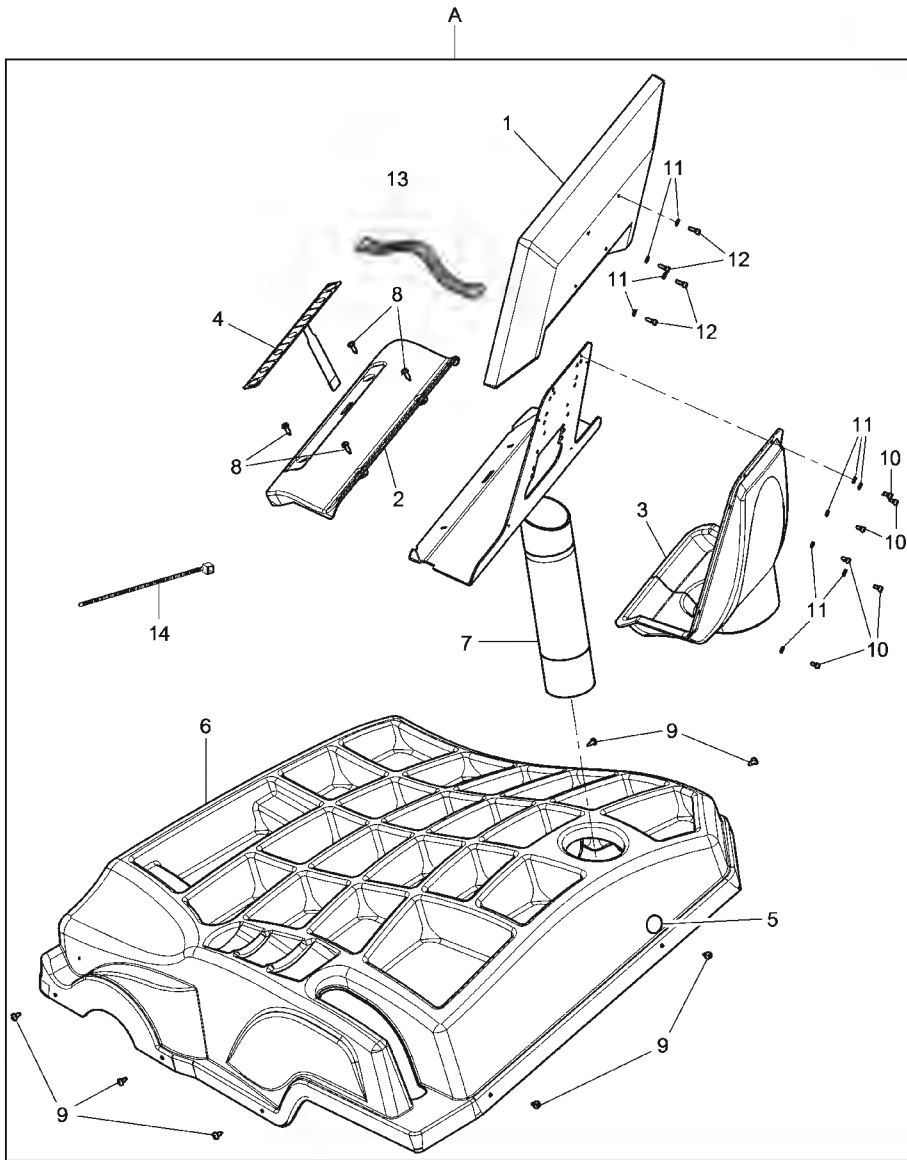
| N° | Code | Description | Description | Descripción |
|----|------|-------------|-------------|-------------|
|----|------|-------------|-------------|-------------|

| | | | | |
|----|-------------|--------------------------|------------------------------|-------------------------------|
| 1 | VS129427310 | Electronic cards support | Support cartes électroniques | Soporte tarjetas electrónicas |
| 2 | VS19685 | Monitor board kit | Kit carte monitor | Kit tarjeta monitor |
| 3 | VS18327C | Monitor board | Carte monitor | Tarjeta monitor |
| 4 | VS569064 | Spacer | Entretoise | Distanciador |
| 5 | VS19741 | Board kit | Kit carte | Kit tarjeta |
| 6 | VS19518 | 200W Board | Carte 200W | Tarjeta 200W |
| 7 | VS569064 | Spacer | Entretoise | Distanciador |
| 8 | VS239017 | Fe A5 washer | Rondelle Fe A5 | Roseta Fe A5 |
| 9 | VS236026 | 5.3 washer | Rondelle 5.3 | Arandela 5.3 |
| 10 | VS203207 | TE M5x12 screw | Vis TE M5x12 | Tornillo TE M5x12 |
| 11 | VS19616 | Power cable | Câble alimentation | Cable alimentación |
| A | VS129491300 | Electronics unit | Groupe électronique | Grupo electrónica |



PANZITTA SALES & SERVICE
72 George Avenue
Wilkes-Barre, PA 18705
570-822-6720 800-822-6720
www.panzittasales.com

| | | | |
|--|--------------------|---|----------------------|
| LIST OF COMPONENTS LISTE DES PIECES DETACHEES - LISTA DE PIEZAS | | <i>ELECTRONICS UNIT</i> <i>GROUPE ÉLECTRONIQUE</i> <i>GRUPO ELECTRÓNICA</i> | Page 15 of 20 |
| Table N°10 - Rev. 1 | VS129491300 | | VSB280PRTL |



| N° | Code | Description | Description | Descripción |
|----|------|-------------|-------------|-------------|
|----|------|-------------|-------------|-------------|

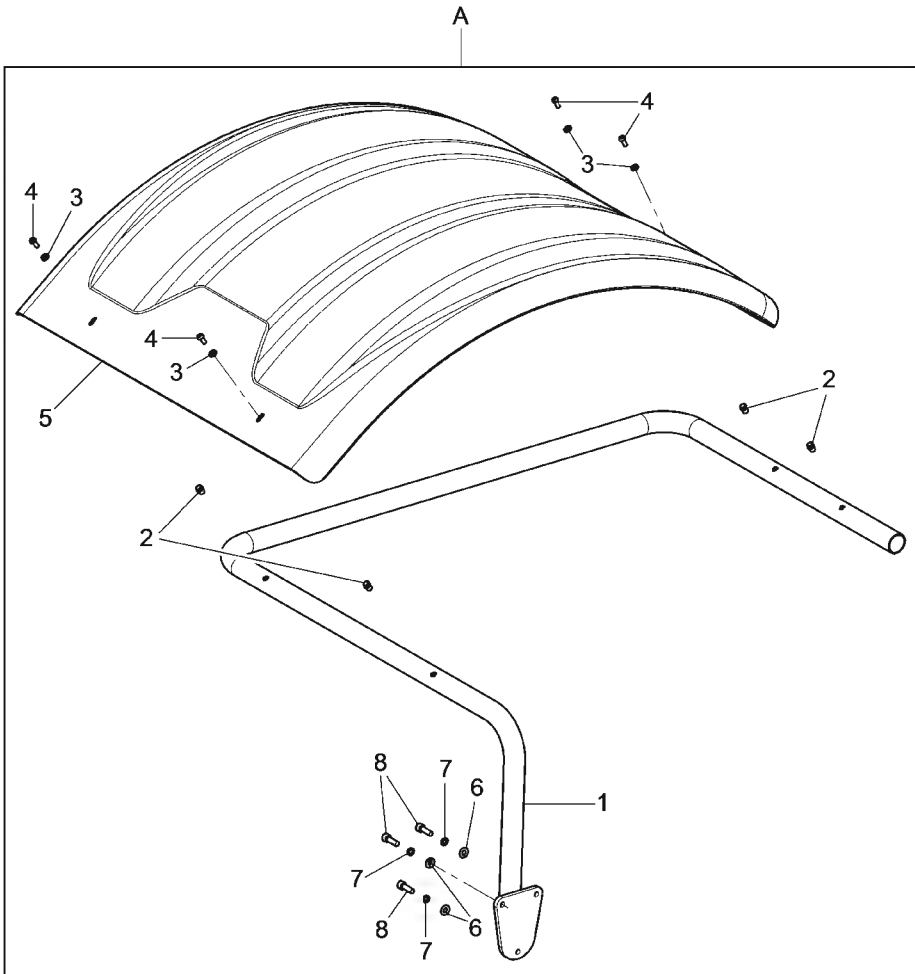
| | | | | |
|----|-------------|----------------------|-----------------------------|------------------------|
| 1 | VS19706 | 19" monitor | Monitor 19" | Monitor 19" |
| 2 | VS129332260 | Keyboard guard | Carter clavier | Cárter teclado |
| 3 | VS129715110 | 19" monitor guard | Carter monitor 19" | Cárter monitor 19" |
| 4 | VS17987 | Keyboard | Clavier | Teclado |
| 5 | VS413208 | Plastic plug | Bouchon en plastique | Tapa en plástico |
| 6 | VS129332270 | Board | Planche | Tablero |
| 7 | VS129615690 | 19" monitor support | Support monitor 19" | Soporte monitor 19" |
| 8 | VS220097 | 4,8x16 TCB screw | Vis TCB4,8x16 | Tornillo TCB 4,8x16 |
| 9 | VS220020 | 4,8x12 TCB screw | Vis TCB 4,8x12 | Tornillo TCB 4,8x12 |
| 10 | VS206123 | TCEI M4x8 screw | Vis TCEI M4x8 | Tornillo TCEI M4x8 |
| 11 | VS237009 | Shearing flat washer | Rondelle plane tronçonneuse | Arandela plana cizalla |
| 12 | VS206159 | TCEI M4x12 screw | Vis TCEI M4x12 | Tornillo TCEI M4x12 |
| 13 | VS19782 | Keyboard harness | Câblage clavier | Cableado teclado |
| 14 | VS599002 | Collar | Collier | Collar |
| A | VS129491620 | Board unit | Groupe planche | Grupo tablero |

PANZITTA SALES & SERVICE
72 George Avenue
Wilkes-Barre, PA 18705
570-822-6720 800-822-6720
www.panzittasales.com

| | | | |
|--|--------------------|---|----------------------|
| LIST OF COMPONENTS LISTE DES PIECES DETACHEES - LISTA DE PIEZAS | | BOARD UNIT GROUPE PLANCHE GRUPO TABLERO | Page 16 of 20 |
| Table N°11 - Rev. 2 | VS129491620 | | VSB280PRTL |

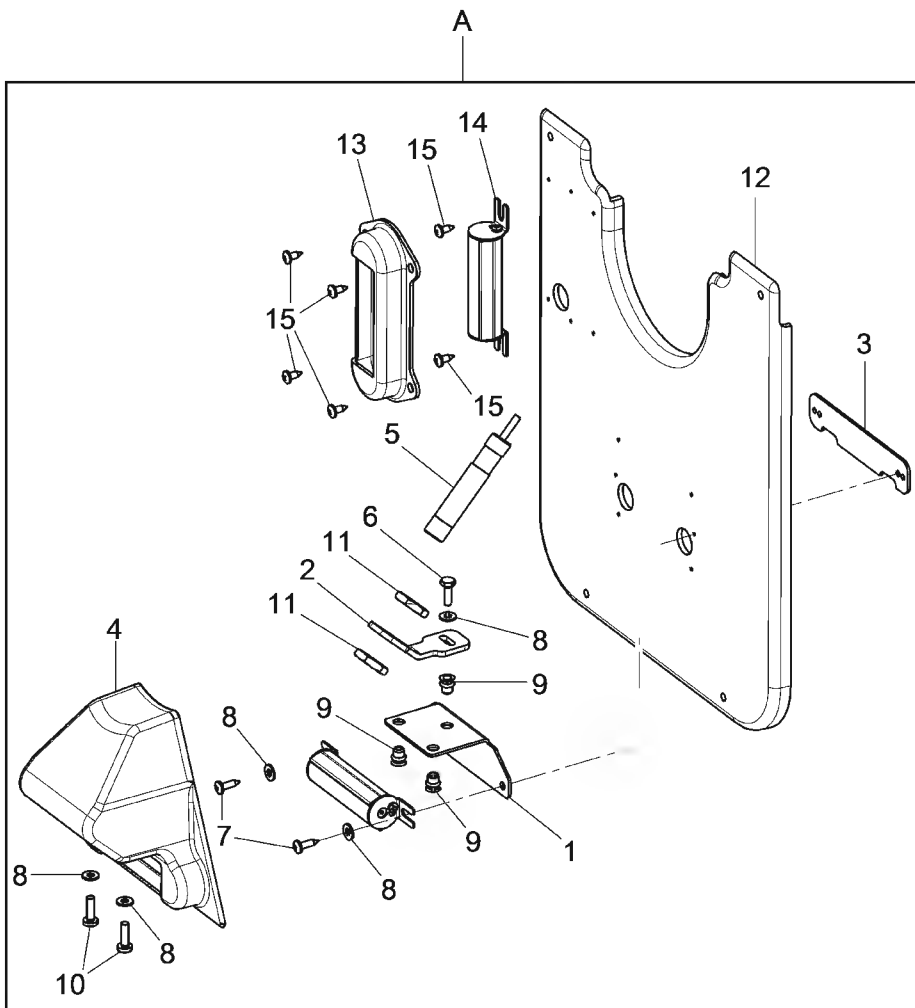
| N° | Code | Description | Description | Descripción |
|----|------|-------------|-------------|-------------|
|----|------|-------------|-------------|-------------|

| | | | | |
|---|-------------|--------------------------|------------------------------|------------------------------|
| 1 | VS129427790 | Wheel cover | Couverture roue | Cobertura rueda |
| 2 | VSBS504000 | M6 threaded insert | Renfort fileté M6 | Inserción fileteado M6 |
| 3 | VS236003 | 6.4 Washer | Rondelle 6.4 | Arandela 6.4 |
| 4 | VS266018 | TBEI M6x16 screw | Vis TBEI M6x16 | Tornillo TBEI M6x16 |
| 5 | VS129427350 | Thermoformed wheel cover | Couverture roue thermoformée | Termoformado cobertura rueda |
| 6 | VS236006 | 8.4 flat washer | Rondelle plane 8.4 | Arandela plana 8.4 |
| 7 | VS238044 | Elastic washer | Rondelle elastique | Arandela elástica |
| 8 | VS206038 | TCEI M8x25 screw | Vis TCEI M8x25 | Tornillo TCEI M8x25 |
| A | VS129491640 | Wheel cover unit | Groupe couverture roue | Grupo cobertura rueda |



PANZITTA SALES & SERVICE
72 George Avenue
Wilkes-Barre, PA 18705
570-822-6720 800-822-6720
www.panzittasales.com

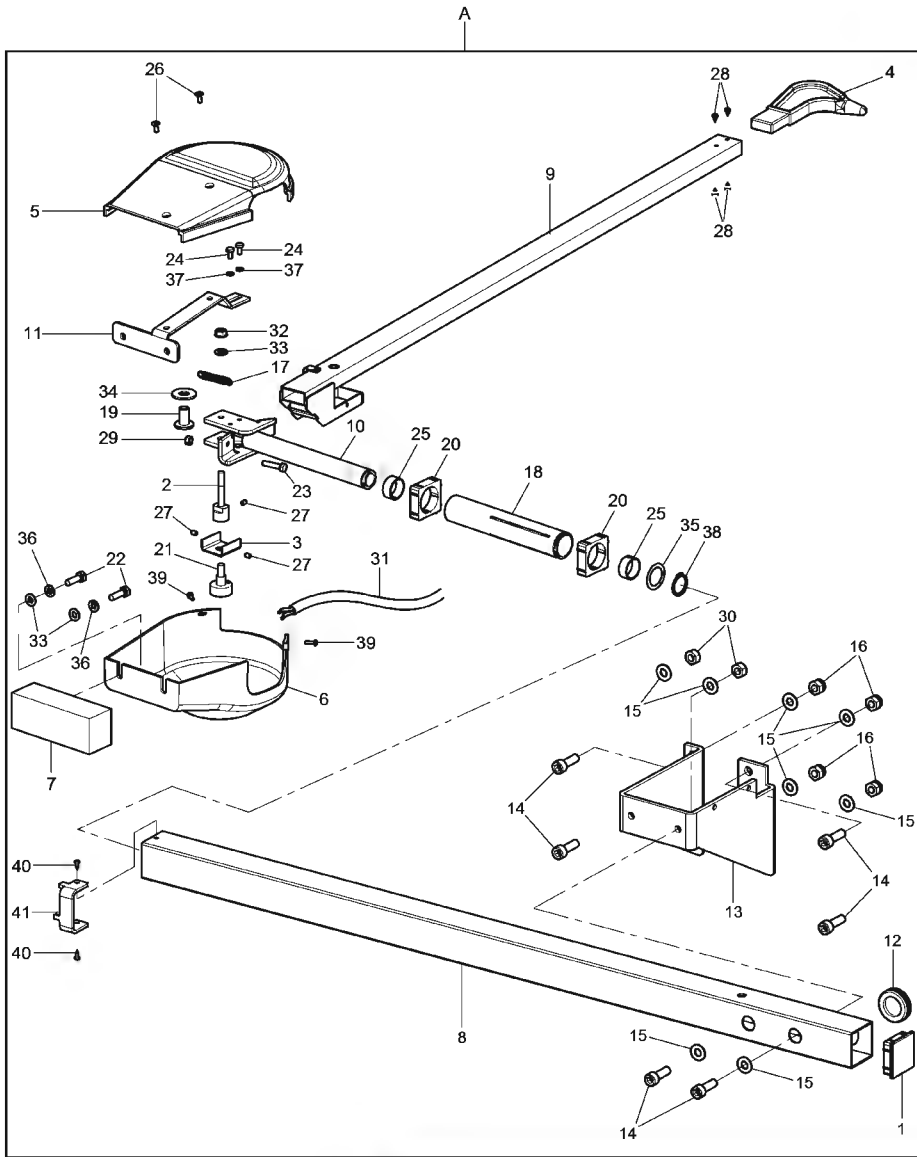
| | | | |
|--|--------------------|---|----------------------|
| LIST OF COMPONENTS LISTE DES PIECES DETACHEES - LISTA DE PIEZAS | | WHEEL COVER UNIT GROUPE COUVERTURE ROUE GRUPO COBERTURA RUEDA | Page 17 of 20 |
| Table N°12 - Rev. 1 | VS129491640 | | VS280PRTL |



| N° | Code | Description | Description | Descripción |
|----|-------------|----------------------------------|--|------------------------------|
| 1 | VS129719830 | Plate | Tôle | Chapa |
| 2 | VS129720110 | Plate | Tôle | Chapa |
| 3 | VS129720420 | Plate | Tôle | Chapa |
| 4 | VS129721080 | Guard for laser | Carter pour laser | Cárter para laser |
| 5 | VS19884 | Laser | Laser | Laser |
| 6 | VS203160 | TE M4x12 screw | Vis TE M4x12 | Tornillo TE M4x12 |
| 7 | VS220014 | 3,5x13 TCB screw | Vis TCB 3,5x13 | Tornillo TCB 3,5x13 |
| 8 | VS237009 | Shearing flat washer | Rondelle plane tronçonneuse | Arandela plana cizalla |
| 9 | VS251117 | Threaded insert | Renfort fileté | Inserción fileteada |
| 10 | VS270158 | TCB M4x14 screw | Vis TCB M4x14 | Tornillo TCB M4x14 |
| 11 | VS299201 | M12 nut | Écrou M12 | Tuerca M12 |
| 12 | VS129718570 | Lighting device protection guard | Carter protection dispositif d'éclairage | Cárter protección iluminador |
| 13 | VS129715590 | Lateral guard | Carter lateral | Cárter lateral |
| 14 | VS19888 | Lighting device | Dispositif d'éclairage | Iluminador |
| 15 | VS220120 | TCB screw 3,5x9,5 | Vis TCB 3,5x9,5 | Tornillo TCB 3,5x9,5 |
| A | GAR328 | Fixed laser + lighting device | Laser fixe + dispositif d'éclairage | Laser fijo + iluminador |

PANZITTA SALES & SERVICE
72 George Avenue
Wilkes-Barre, PA 18705
570-822-6720 800-822-6720
www.panzittasales.com

| | | | |
|--|---------------|--|----------------------|
| LIST OF COMPONENTS LISTE DES PIECES DETACHEES - LISTA DE PIEZAS | | FIXED LASER + LIGHTING DEVICE (OPTIONAL) LASER FIXE + DISPOSITIF D'ÉCLAIRAGE (OPTION) LASER FIJO + ILUMINADOR (OPCIÓN) | Page 18 of 20 |
| Table N°13 - Rev. 1 | GAR328 | | VS280PRTL |



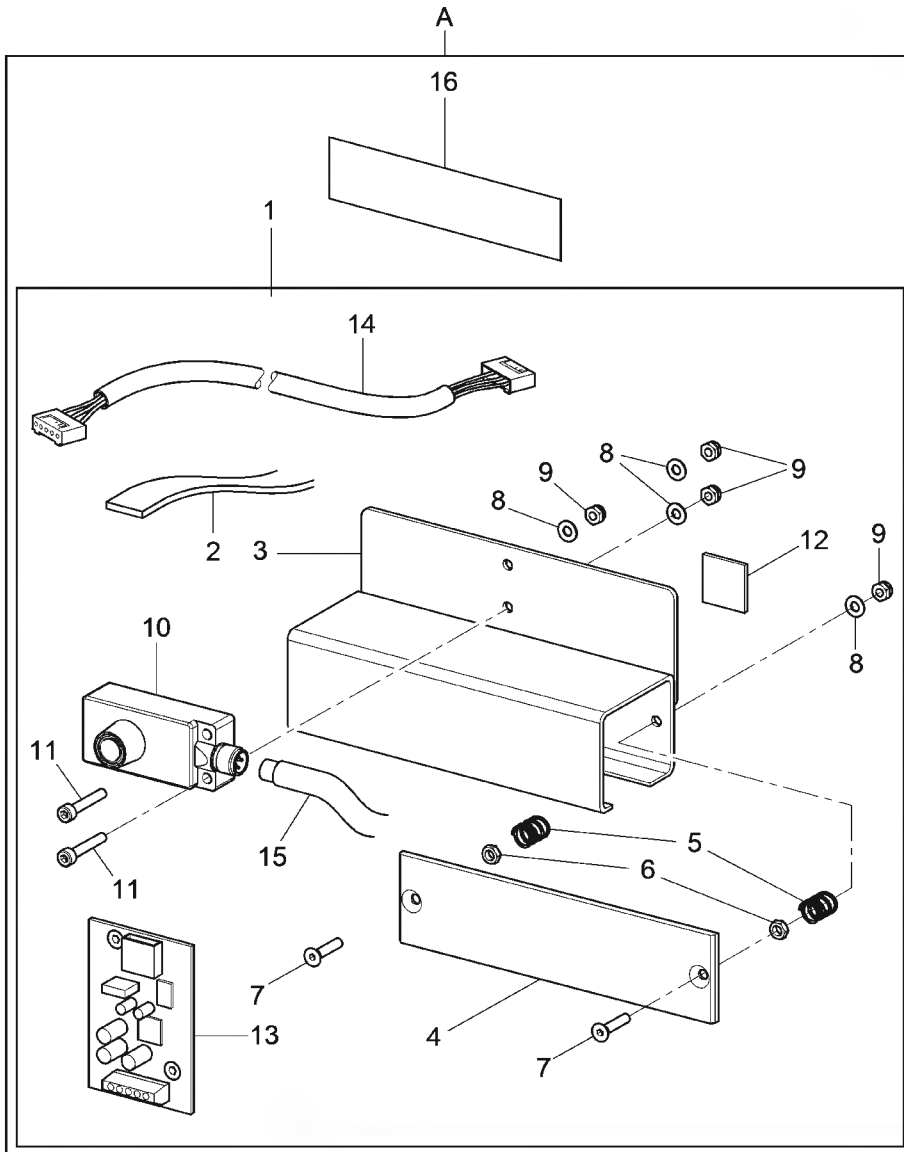
| N° | Code | Description | Description | Descripción |
|----|-------------|---|-----------------------------------|--|
| 1 | VS10885 | Cap | Bouchon | Tapa |
| 2 | VS129516140 | Potentiometer joint | Joint potentiomètre | Junta potenciómetro |
| 3 | VS129516150 | Potentiometer coupling | Branchement potentiomètre | Connexion potenciómetro |
| 4 | VS129516160 | Push rod | Embout | Puntal |
| 5 | VS129516200 | Upper covering guard | Carter couverture supérieure | Cárter tapado superior |
| 6 | VS129516210 | Lower covering guard | Carter couverture inférieure | Cárter tapado inferior |
| 7 | VS129516470 | Counter weight | Contre-poids | Contrapeso |
| 8 | VS129427100 | Pipe | Tuyau | Tubo |
| 9 | VS129516420 | Caliper rod unit | Groupe tige calibre | Grupo vástago calibre |
| 10 | VS129516380 | Fork assembly | Assemblage fourche | Ensamblado horquilla |
| 11 | VS129516390 | Counter weight support unit | Groupe support contre-poids | Grupo soporte contrapeso |
| 12 | VS599144 | Hose clamp | Passe-câble | Pasacable |
| 13 | VS15275AA | Pipe support | Support tuyau | Soporte tubo |
| 14 | VS206038 | TCEI M8x25 screw | Vis TCEI M8x25 | Tornillo TCEI M8x25 |
| 15 | VS236006 | 8.4 flat washer | Rondelle plane 8.4 | Arandela plana 8.4 |
| 16 | VS228011 | M8 self-locking nut | Écrou auto-bloquant M8 | Tuerca autobloquante M8 |
| 17 | VS918031 | TRZ spring | Ressort TRZ | Resorte TRZ |
| 18 | VS14778 | Sleeve | Manchon | Manguito |
| 19 | VS15263 | Bushing | Douille | Casquillo |
| 20 | VS15267 | Sleeve support | Support manchon | Soporte manguito |
| 21 | VS19946 | Potentiometer | Potentiomètre | Potenciómetro |
| 22 | VS203021 | TE M6x20 screw | Vis TE M6x20 | Tornillo TE M6x20 |
| 23 | VS203208 | TE M5x20 screw | Vis TE M5x20 | Tornillo TE M5x20 |
| 24 | VS203228 | TE M4x8 screw | Vis TE M4x8 | Tornillo TE M4x8 |
| 25 | VS630031 | Bushing | Douille | Casquillo |
| 26 | VS209167 | TSPEI M4x10 screw | Vis TSPEI M4x10 | Tornillo TSPEI M4x10 |
| 27 | VS213165 | STEI M4x6 screw | Vis STEI M4x6 | Tornillo STEI M4x6 |
| 28 | VS220011 | 2.9x6.5 TCB screw | Vis TCB 2.9x6.5 | Tornillo TCB 2.9x6.5 |
| 29 | VS224005 | M5 middle nut | Écrou moyen M5 | Tuerca media M5 |
| 30 | VS224009 | M8 middle hexagonal nut | Écrou hexagonal moyen M8 | Tuerca hexagonal medio M8 |
| 31 | VS15373 | Potentiometer extension cable | Câble rallonge potentiomètre | Cable alargador potenciómetro |
| 32 | VS228010 | M6 self-locking nut | Écrou autobloquant M6 | Tuerca autobloquante M6 |
| 33 | VS236004 | 6.4 flat washer | Rondelle plane 6.4 | Arandela plana 6.4 |
| 34 | VS237077 | Shear washer | Rondelle tronçonneuse | Roseta cizalla |
| 35 | VS237510 | D.20 thickness washer | Rondelle d'épaisseur D.20 | Arandela de espesor D.20 |
| 36 | VS238004 | 6.4 elastic washer | Rondelle elastique 6.4 | Arandela elástica 6.4 |
| 37 | VS238025 | 4.3 elastic washer | Rondelle elastique 4.3 | Arandela elástica 4.3 |
| 38 | VS243010 | External seeger 20 | Anneau de retenue extérieur 20 | Seeger externo 20 |
| 39 | VS220321 | Screw | Vis | Tornillo |
| 40 | VS220052 | 2.9x9.5 TCB screw | Vis TCB 2.9x9.5 | Tornillo TCB 2.9x9.5 |
| 41 | VS129516440 | Rotation stopper | Arrêt rotation | Traba rotación |
| A | GAR266T | External data gauge for truck wheel measuring | Tige externe mesure roues camions | Palpador de anchura medida ruedas camiones |

PANZITTA SALES & SERVICE
72 George Avenue
Wilkes-Barre, PA 18705
570-822-6720 800-822-6720
www.panzittasales.com

| LIST OF COMPONENTS LISTE DES PIÈCES DÉTACHÉES - LISTA DE PIEZAS | |
|--|---------|
| Table N°14 - Rev. 1 | GAR266T |

EXTERNAL DATA GAUGE FOR TRUCK WHEEL MEASURING
(OPTIONAL)
TIGE EXTERNE MESURE ROUES CAMIONS (OPTION)
PALPADOR DE ANCHURA MEDIDA RUEDAS CAMIONES
(OPCIÓN)

Page 19 of 20
VSB280PRTL



| N° | Code | Description | Description | Descripción |
|----|--------------|------------------------------------|----------------------------------|-------------------------------------|
| 1 | VS129491100 | Run-out kit | Kit Run-out | Kit Run-out |
| 2 | VSN509004700 | Adhesive mousse | Mousse adhésive | Mousse adhesiva |
| 3 | VS129427140 | Sensor support assembly | Assemblage support capteur | Ensamblado soporte sensor |
| 4 | VS15422 | Cursor for Run out | Curseur pour Run out | Cursor para Run out |
| 5 | VSB1272900 | C spring | Ressort C | Resorte C |
| 6 | VS224003 | M4 middle nut | Écrou moyen M4 | Tuerca media M4 |
| 7 | VS209226 | TSPEI M4x20 screw | Vis TSPEI M4x20 | Tornillo TSPEI M4x20 |
| 8 | VS236025 | D. 4.3x9x0,8 washer | Rondelle d. 4.3x9x0,8 | Roseta d. 4.3x9x0,8 |
| 9 | VS228036 | M4 low self-locking nut | Écrou auto-bloquant bas M4 | Tuerca autoblocante bajo M4 |
| 10 | VS19992 | Ultrasound sensor | Capteur ultrasons | Sensor ultrasonidos |
| 11 | VS206231 | TCEI M4x25 screw | Vis TCEI M4x25 | Tornillo TCEI M4x25 |
| 12 | VS599090 | Adhesive support | Support adhésif | Soporte adhesivo |
| 13 | VS18363 | Board | Carte | Tarjeta |
| 14 | VS15394 | Ultrasounds sensor extension cable | Câble rallonge capteur ultrasons | Cable alargador sensor ultrasonidos |
| 15 | VS18496 | Ultrasound cable | Câble pour ultrason | Cable por ultrasonido |
| 16 | VS15502 | GAR214 adhesive | Étiquette GAR214 | Adhesivo GAR214 |
| A | GAR214TK | Truck Run-out | Run-out camions | Run-out camiones |

PANZITTA SALES & SERVICE
72 George Avenue
Wilkes-Barre, PA 18705
570-822-6720 800-822-6720
www.panzittasales.com

| | | | |
|--|-----------------|--|----------------------|
| LIST OF COMPONENTS LISTE DES PIECES DETACHEES - LISTA DE PIEZAS | | <i>TRUCK RUN-OUT (OPTIONAL)</i> <i>RUN-OUT CAMIONS (OPTION)</i> <i>RUN-OUT CAMIONES (OPCIÓN)</i> | Page 20 of 20 |
| Table N°15 - Rev. 1 | GAR214TK | | VSB280PRTL |