



FOCUS

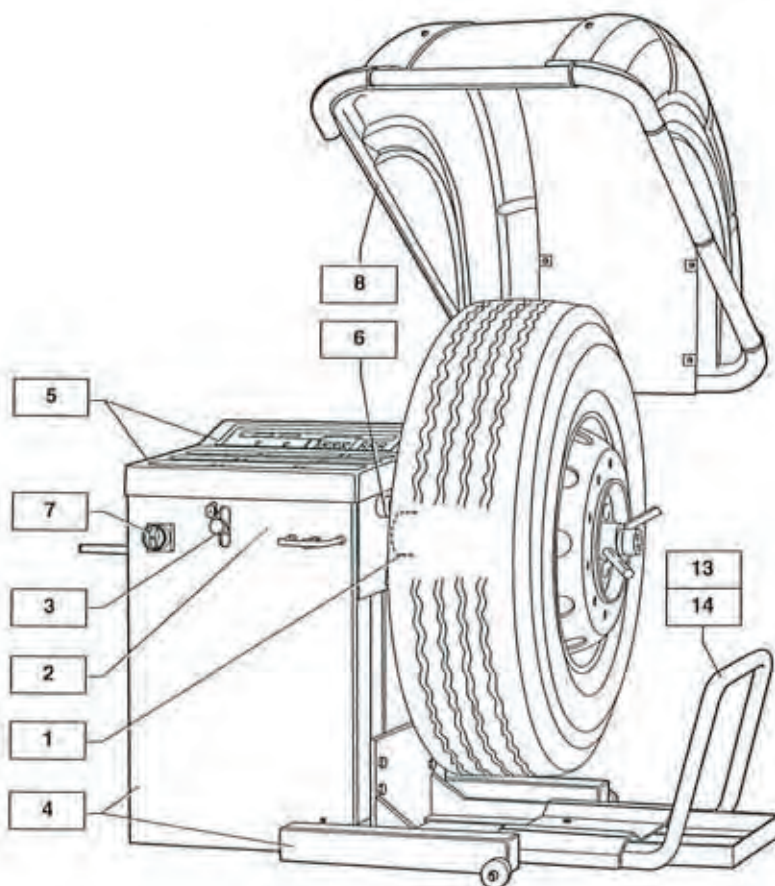
FT10M

**BALANCING MACHINE FOR TRUCKS,
BUS AND CAR WHEELS**
with manual spin or motor-driven spin

Nr. 0123 - 2000.10

OPERATING AND MAINTENANCE INSTRUCTION MANUAL

PANZITTA SALES & SERVICE
72 George Avenue
Wilkes-Barre, PA 18705
570-822-6720 800-822-6720
www.panzittasales.com



- 1 SHAFT ASSEMBLY
- 2 MOTOR + POSITION PICK UP +
PIEZO TRANSDUCER
- 3 BRAKE
- 4 CASING
- 5 CASING
- 6 DISTANCE GAUGE
- 7 POWER UNIT
- 8 WHEEL GUARD
- 13 LIFT
- 14 LIFT

13 - LIST OF RECOMMENDED SPARE PARTS

(references on the exploded drawings)

CODE	DESCRIPTION
182185730	Balancing spring
07FG33406	Rubber covered driving pulley
42FB37113	Complete brake pad
020620803	Bearing 6208-2Z Ø 40/80/18
67M38954M	Position pick-up board c/w cable and plug
86SB44557	Cable with microstart
181270080	Spring, rim distance gauge
050144103	Display panel
940603137	Complete power plate 230/115V
511231002	Switch KL 1002 + Q 555
86PR36224	Complete panel
86SC36223	Computer board
611018463	Transformer 115/230 - 9/9
940512124	Supply board
681002000	Fuses DM 5x20 2A
162368905	Pneumatic control 368-905
181198630	Spindle spring

SPECIAL PARTS FOR 230V MACHINES

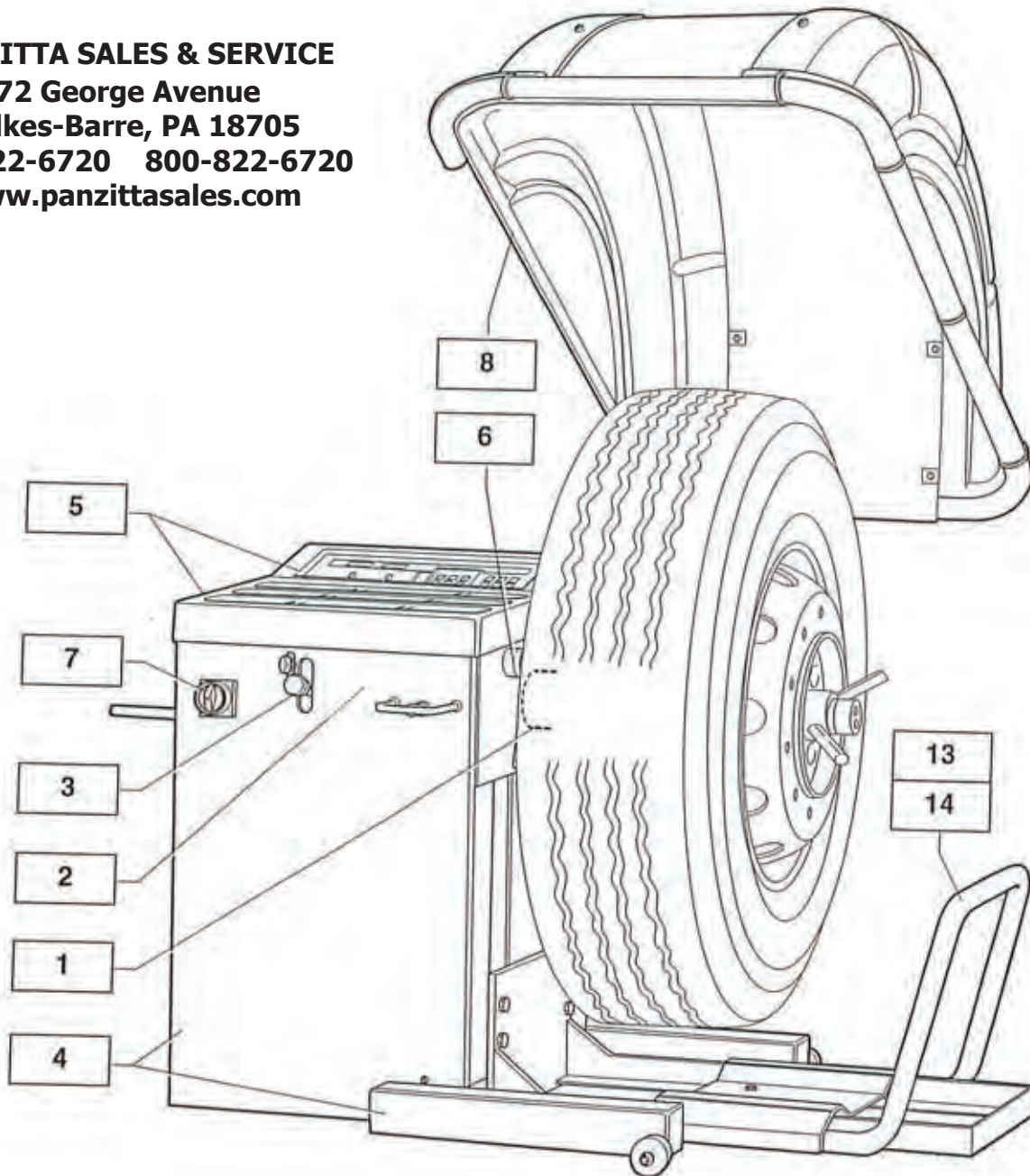
568001458 Capacitor 14MF 450V Faston screw M8

SPECIAL PARTS FOR 115V MACHINES

568003558 Capacitor 35MF 450V Faston screw M8

PANZITTA SALES & SERVICE
72 George Avenue
Wilkes-Barre, PA 18705
570-822-6720 800-822-6720
www.panzittasales.com

PANZITTA SALES & SERVICE
72 George Avenue
Wilkes-Barre, PA 18705
570-822-6720 800-822-6720
www.panzittasales.com

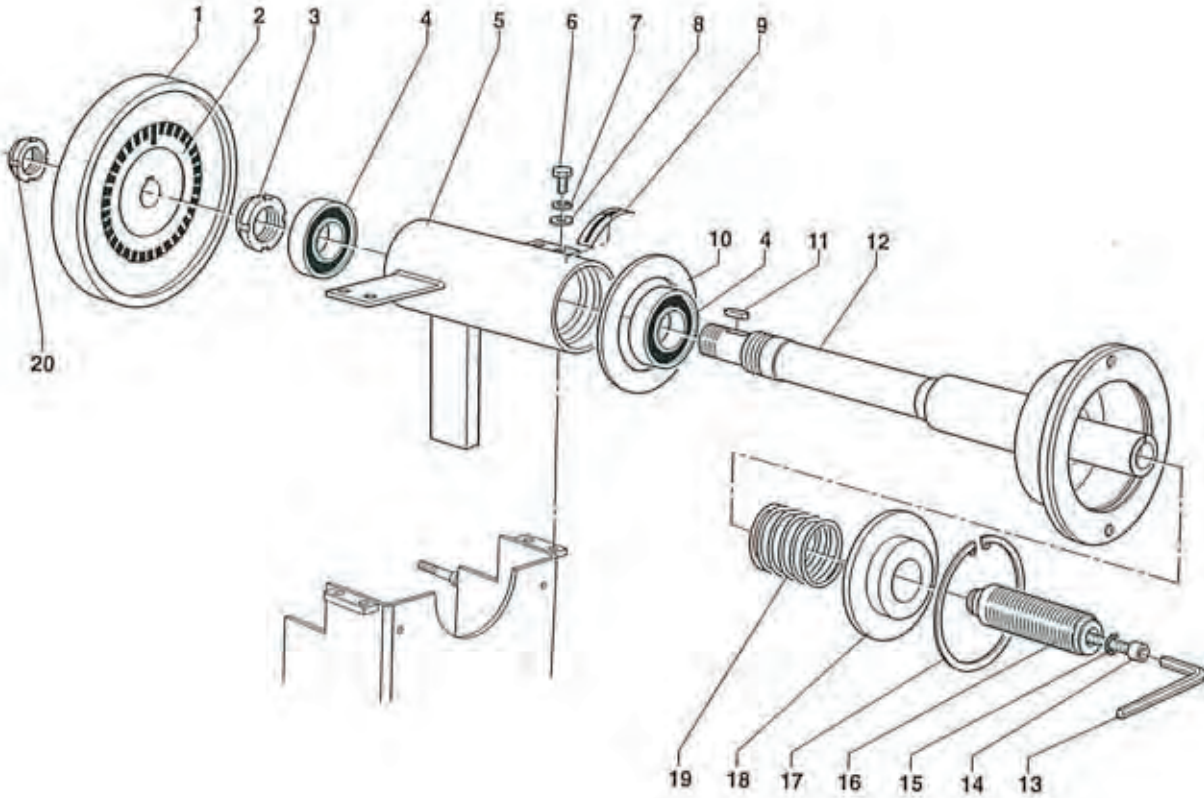


D0123-1	0123-1	1	MANDRINO	SHAFT ASSEMBLY
D0113-2	0123-2	2	MOTORE+DATORE DI FASE+ TRASDUTTORI PIEZO	MOTOR+POSITION PICK-UP+ PIEZO TRANSDUCER
D0113-3	0113-3	3	FRENO	BRAKE
D0123-4	0123-4	4	BASAMENTO	CASING
D0123-5	0123-5	5	BASAMENTO	CASING
D0113-6	0113-6	6	CALIBRO DISTANZA	DISTANCE GAUGE
D0123-7	0123-7	7	POTENZA	POWER UNIT
D0113-8	0113-8	8	PROTEZIONE RUOTA	WHEEL GUARD
D0113-13	0123-13	13	LIFT	LIFT
D0113-14	0113-14	14	LIFT	LIFT

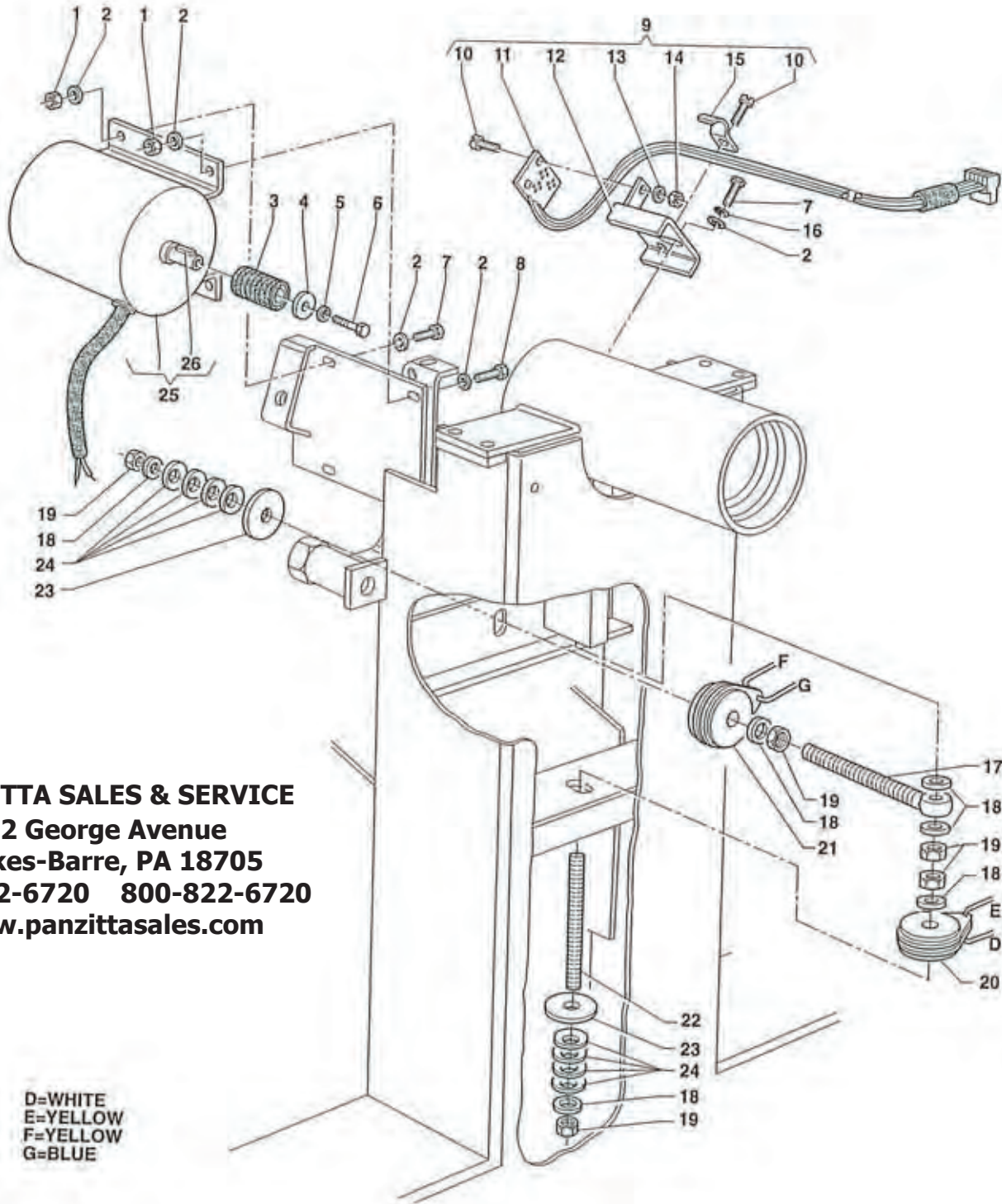
* Particolari reperibili in commercio

* Parts on the market

PANZITTA SALES & SERVICE
72 George Avenue
Wilkes-Barre, PA 18705
570-822-6720 800-822-6720
www.panzittasales.com



N.	CODE	DATA	N.	CODE	DATA	N.	CODE	DATA
1	42FM42698		11	348056025	*			
2	04FM38621		12	42FM43622				
3	323333040	*	13	114008002	*			
4	020620803	*	14	312120137	*			
5	42FM32440		15	325047011	*			
6	311220119	*	16	42FM45813				
7	325046010	*	17	344200118	*			
8	325035010	*	18	42FP41056				
9	040010101		19	181198630				
10	04FM40848		20	323333030	*			

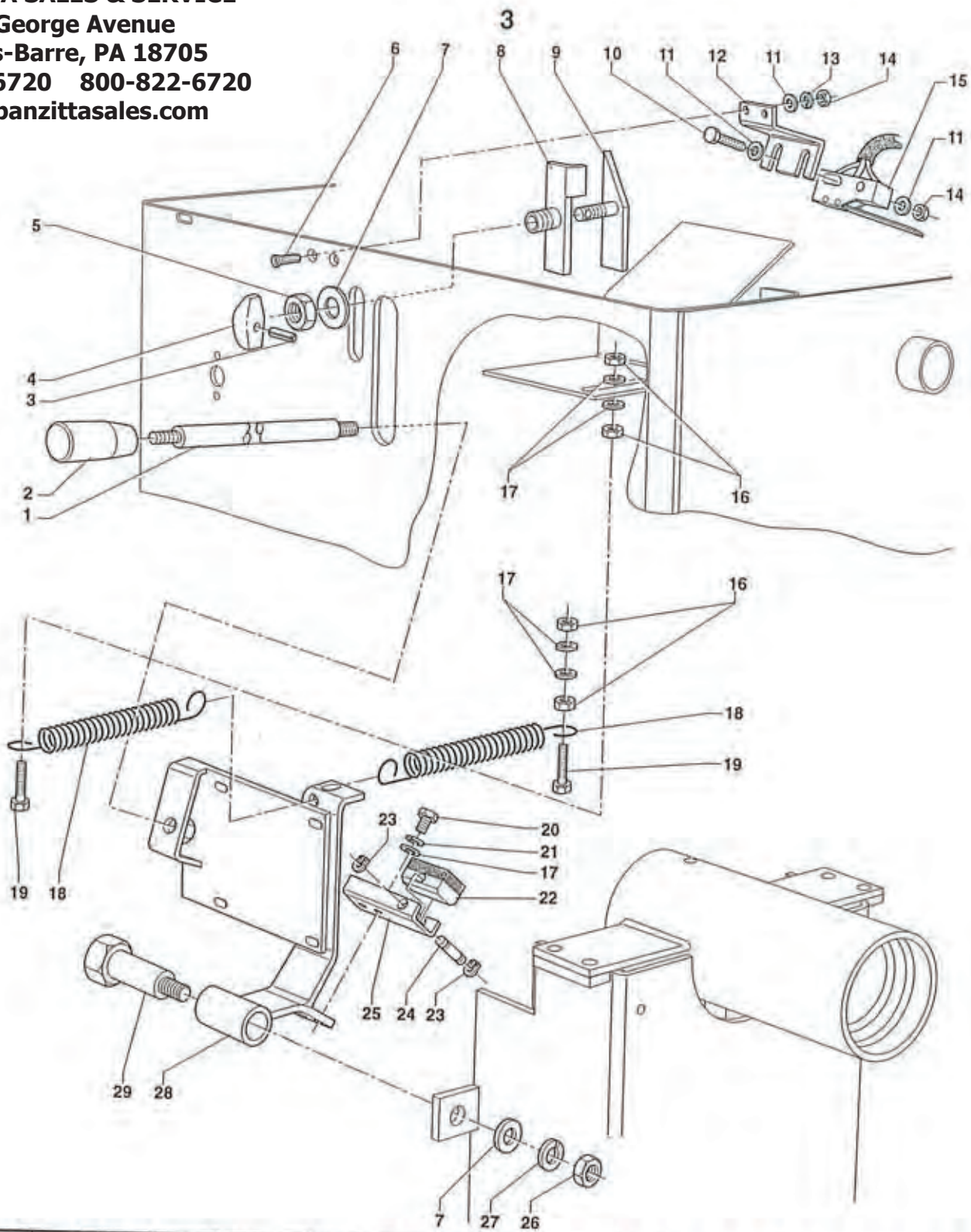


PANZITTA SALES & SERVICE
 72 George Avenue
 Wilkes-Barre, PA 18705
 570-822-6720 800-822-6720
 www.panzittasales.com

D=WHITE
 E=YELLOW
 F=YELLOW
 G=BLUE

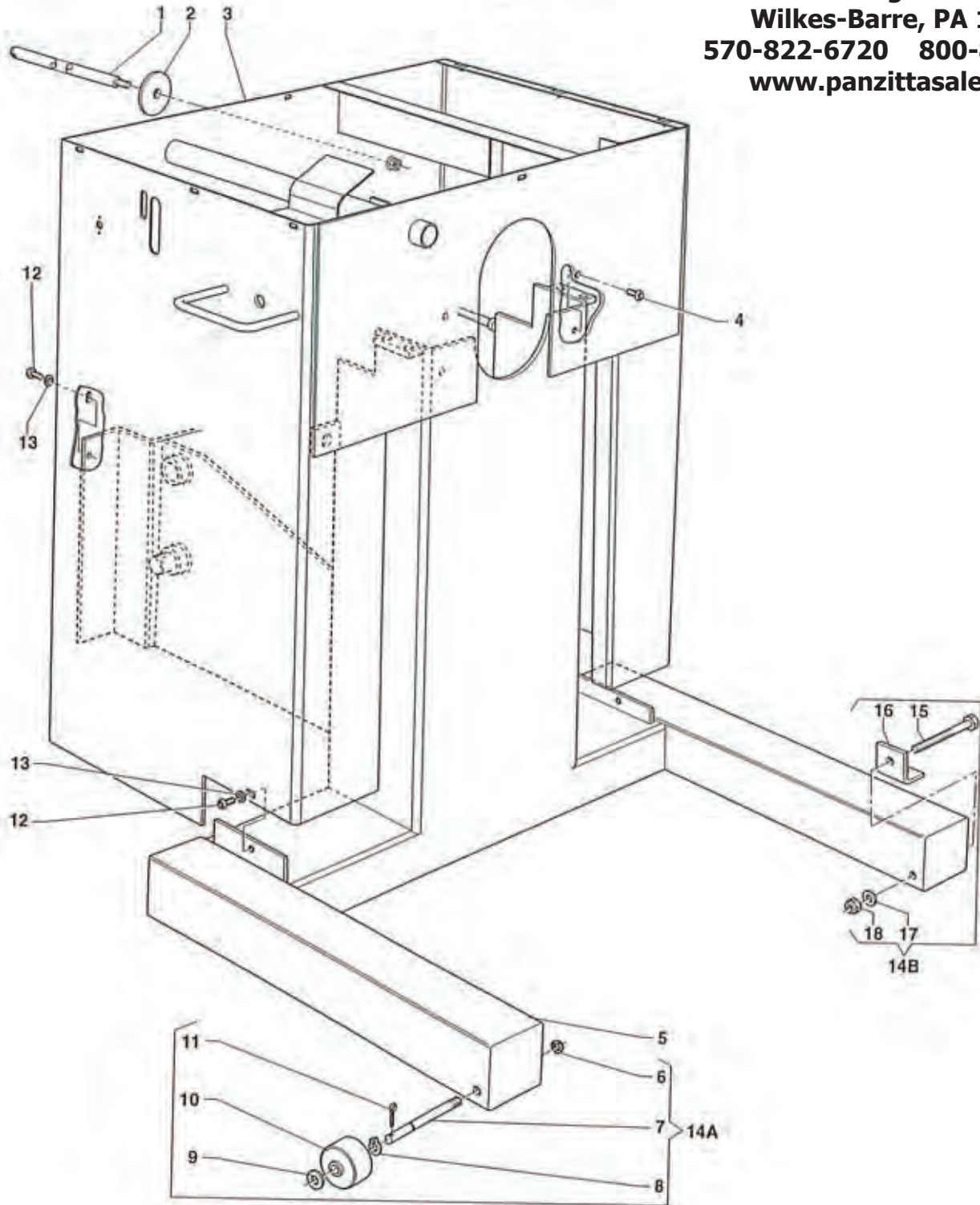
N.	CODE	DATA	N.	CODE	DATA	N.	CODE	DATA
1	321232006	*	11	67M38954M		21	940701233	
2	325035006	*	12	42SD39775		22	105110165	
3	07FG333406		13	325035003	*	23	326035011	*
4	42FG32429		14	321232003	*	24	345122515	*
5	325046004	*	15	420610639		25	501054293	230V/50-60 Hz
6	311120039	*	16	325046006	*	25	502054193	115V/50-60 Hz
7	311220071	*	17	105114744		26	348016015	*
8	311220073	*	18	325035010	*			
9	86SD44369		19	321212010	*			
10	314231018	*	20	940701232				

PANZITTA SALES & SERVICE
72 George Avenue
Wilkes-Barre, PA 18705
570-822-6720 800-822-6720
www.panzittasales.com

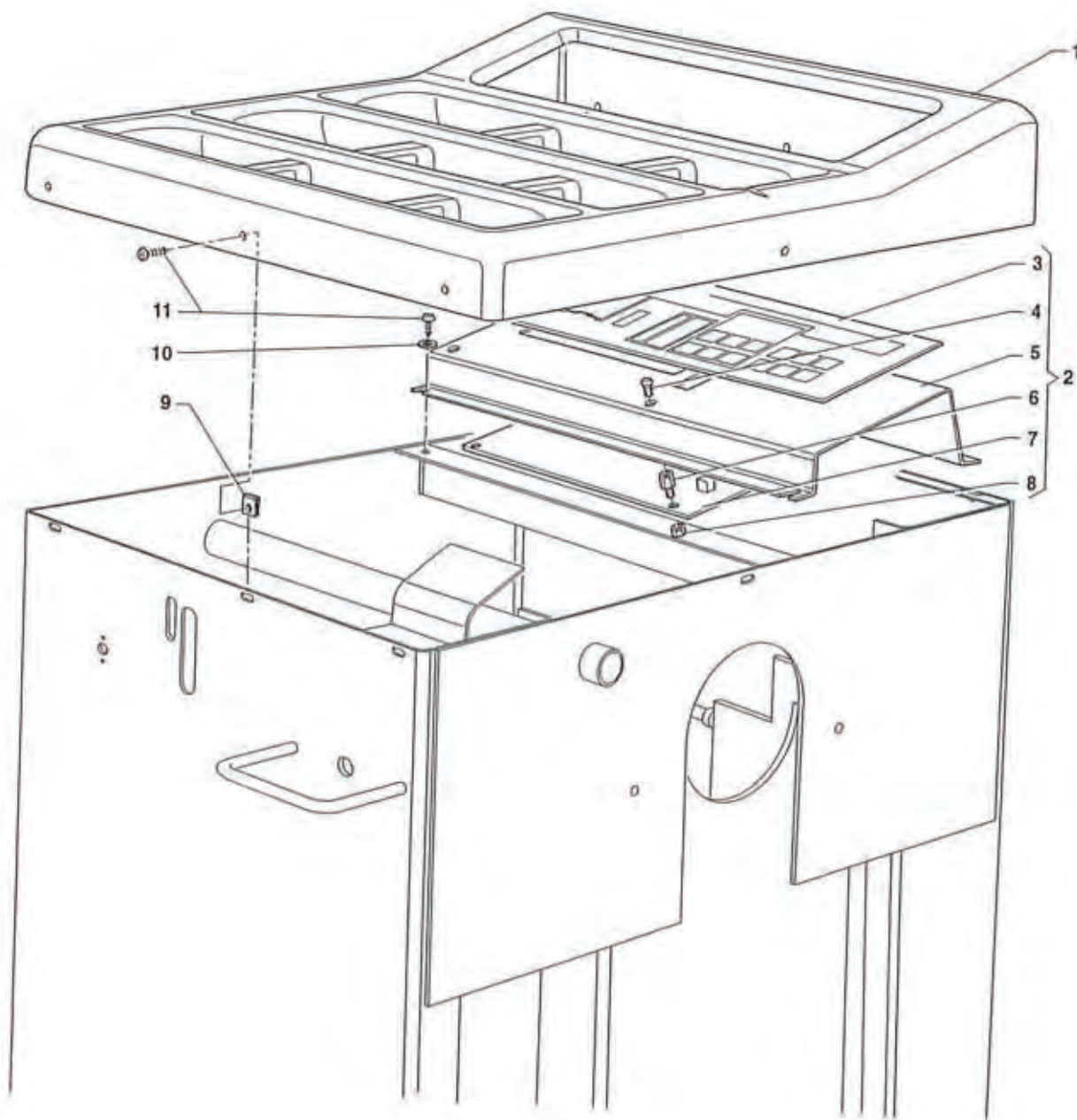


N.	CODE	DATA	N.	CODE	DATA	N.	CODE	DATA
1	42FB36096		11	325035004	*	21	325046006	*
2	067065208	*	12	42FB38776		22	42FB37113	
3	335310007	*	13	325046004	*	23	341000006	*
4	065030106	*	14	321232004	*	24	42FB37116	
5	321202012	*	15	86SB36222		25	42FB37117	
6	315231034	*	16	321232006	*	26	321232012	*
7	325035012	*	17	325035006	*	27	325046012	*
8	420923184		18	182185730		28	42FG37120	
9	420923185		19	311220073	*	29	42FG33402	*
10	311120039	*	20	311220071	*			

PANZITTA SALES & SERVICE
 72 George Avenue
 Wilkes-Barre, PA 18705
 570-822-6720 800-822-6720
 www.panzittasales.com

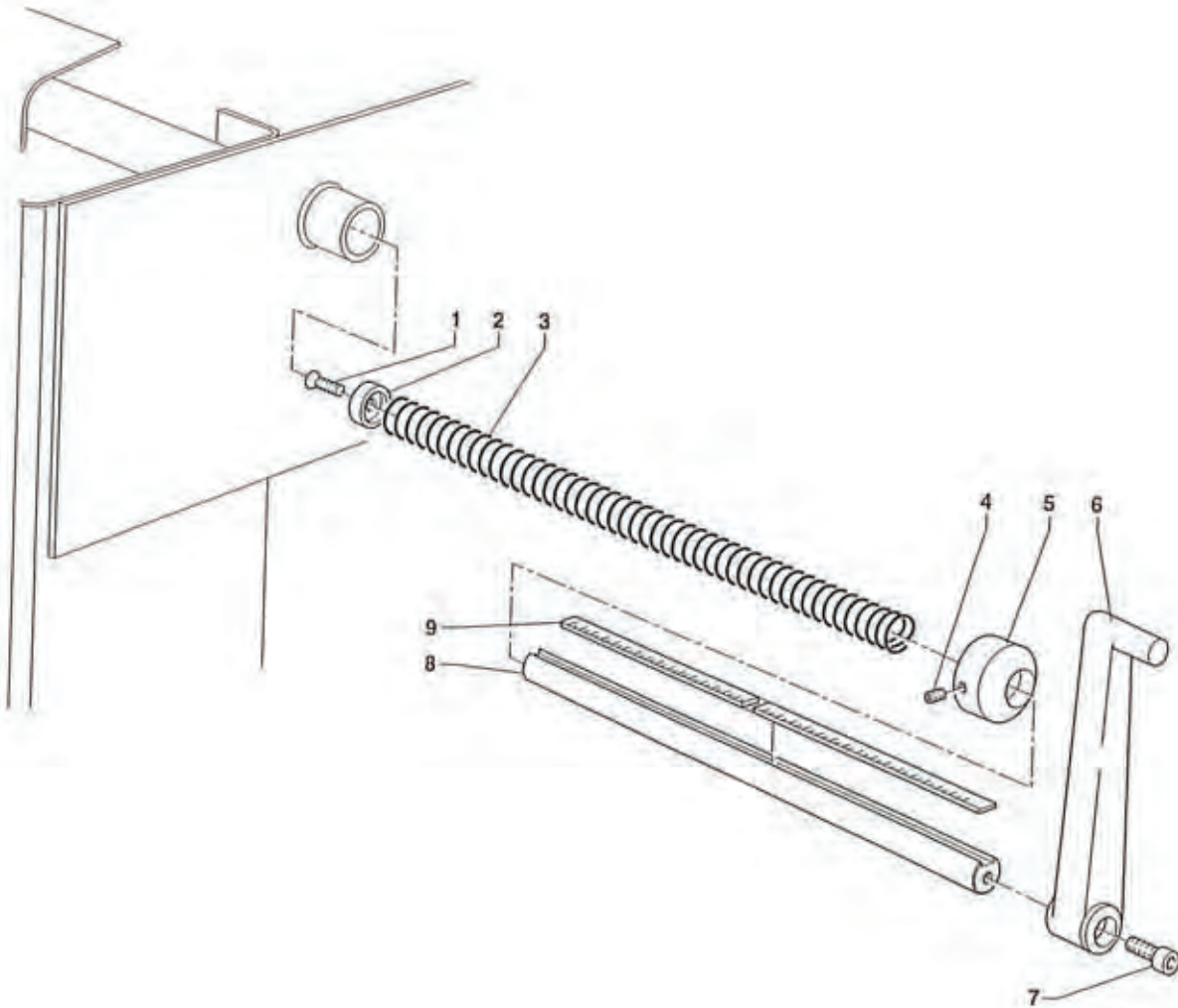


N.	CODE	DATA	N.	CODE	DATA	N.	CODE	DATA
1	105245420		11	337110010	*			
2	140212960		12	317224068	*			
3	42BV44281		13	325035006	*			
4	317224093	*	14A	46FB46704				
5	42BV45966		14B	46FB46703				
6	323333012	*	15	311120131	*			
7	42FB45697		16	42FB41412				
8	341000012	*	17	325035010	*			
9	325035012	*	18	321233010	*			
10	152065123	*						

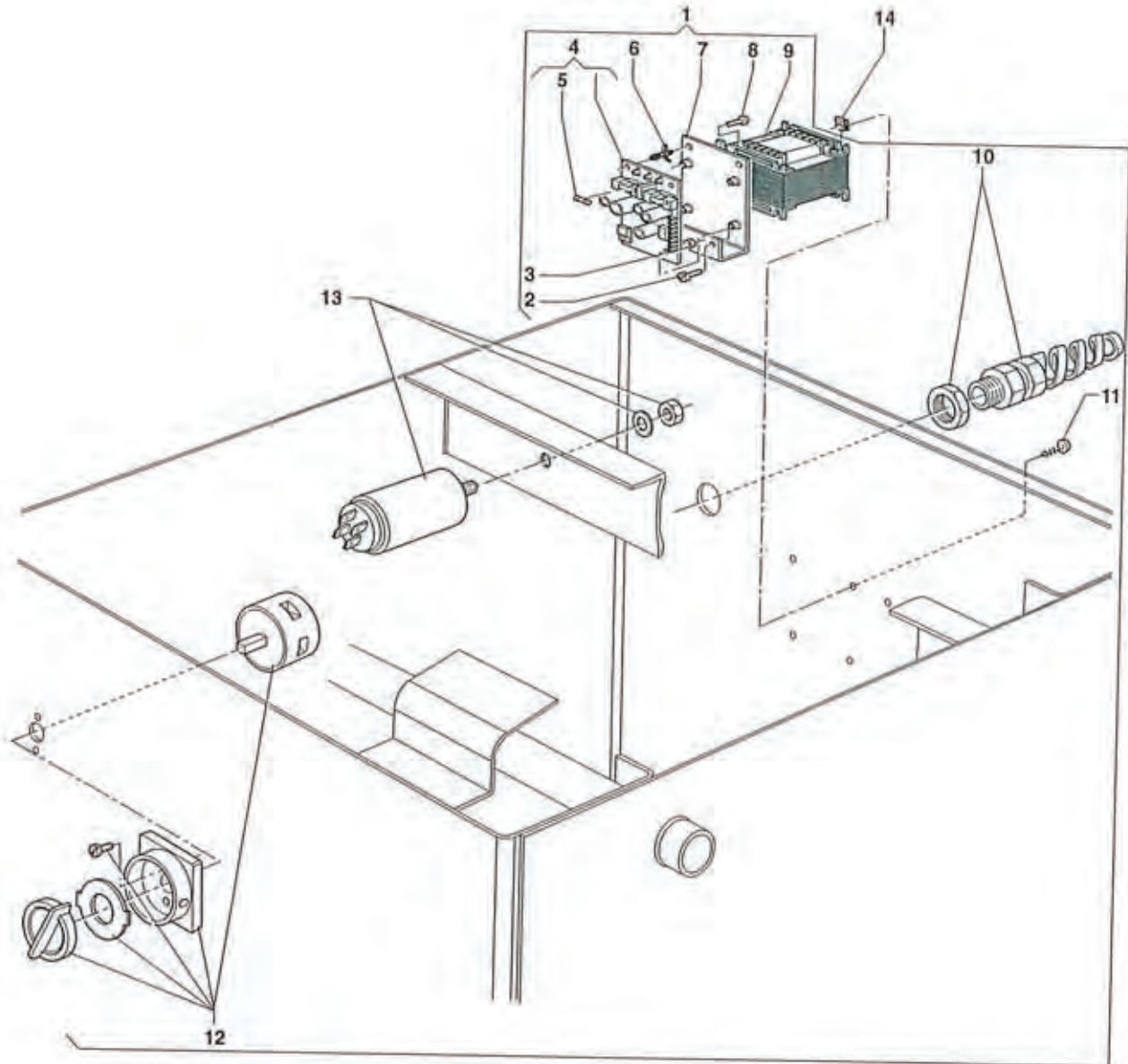


N.	CODE	DATA	N.	CODE	DATA	N.	CODE	DATA
1	141269571		11	314931069	*			
2	86PR36224							
3	050144103							
4	315231015	*						
5	42PR36141							
6	527034980	*						
7	86SC36223							
8	321232003	*						
9	329007043	*						
10	325035004	*						

PANZITTA SALES & SERVICE
72 George Avenue
Wilkes-Barre, PA 18705
570-822-6720 800-822-6720
www.panzittasales.com

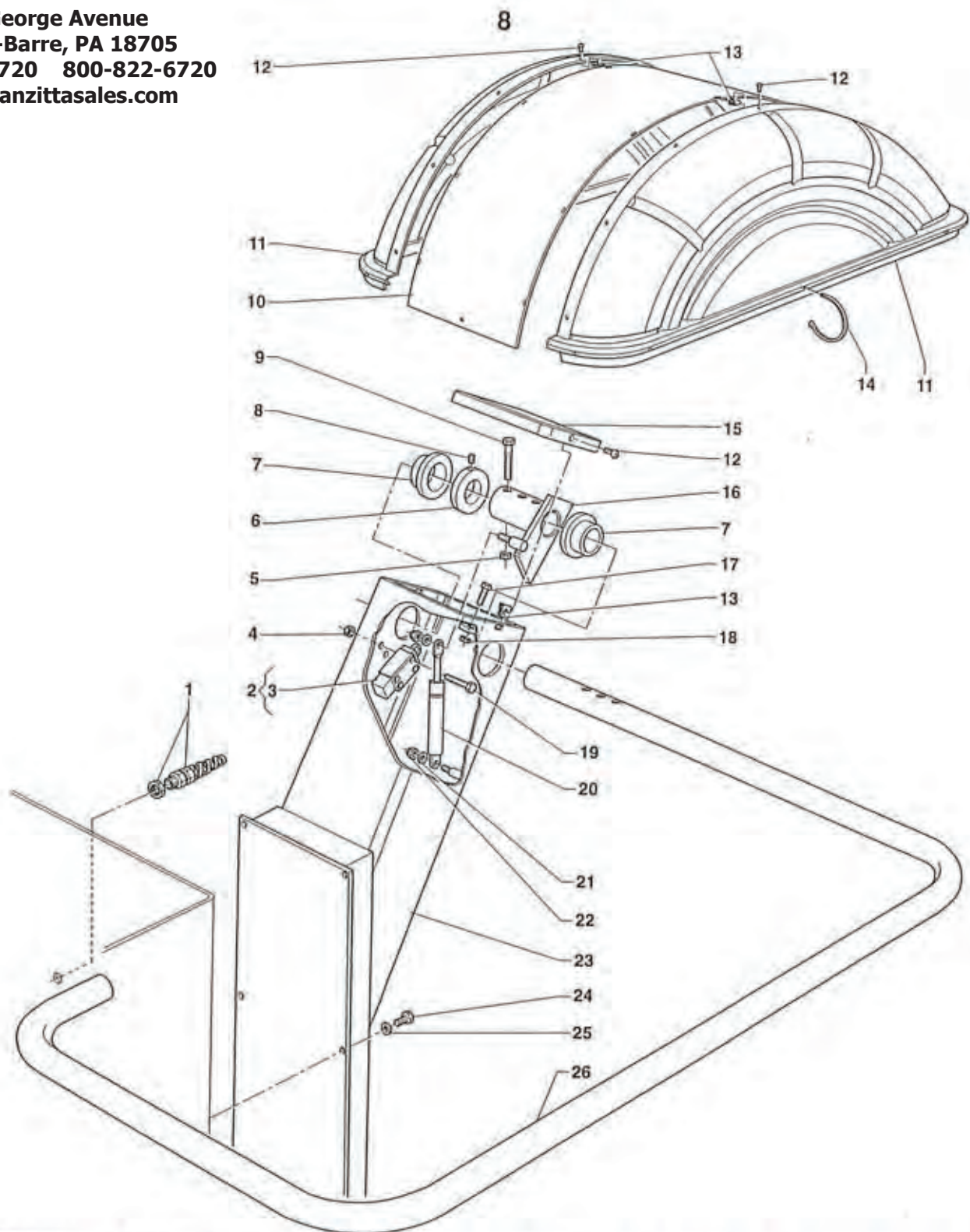


N.	CODE	DATA	N.	CODE	DATA	N.	CODE	DATA
1	313220072	*						
2	21FC32443							
3	181270080							
4	319216031	*						
5	940102388							
6	217027833							
7	312120071	*						
8	420527009							
9	040142902							

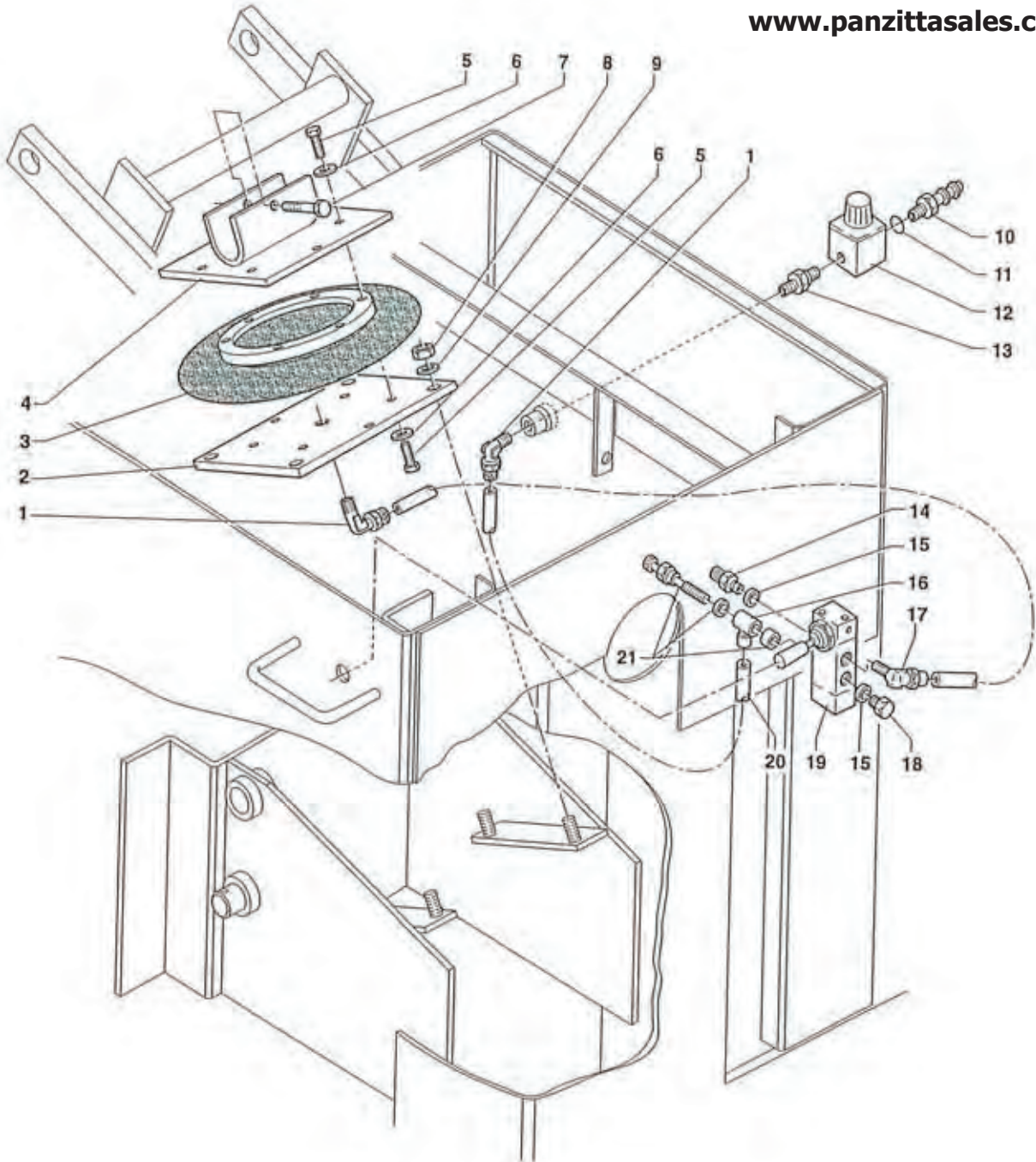


N.	CODE	DATA	N.	CODE	DATA	N.	CODE	DATA
1	940603137	115/230V	11	314931069	*			
2	314231018	*	12	511231002				
3	321232003	*	13	568001458	230V			
4	980512124		13	568003558	115V			
5	681002000	*	14	329007041	*			
6	527006175	*						
7	420619747							
8	317232034	*						
9	611018463							
10	526003246	*						

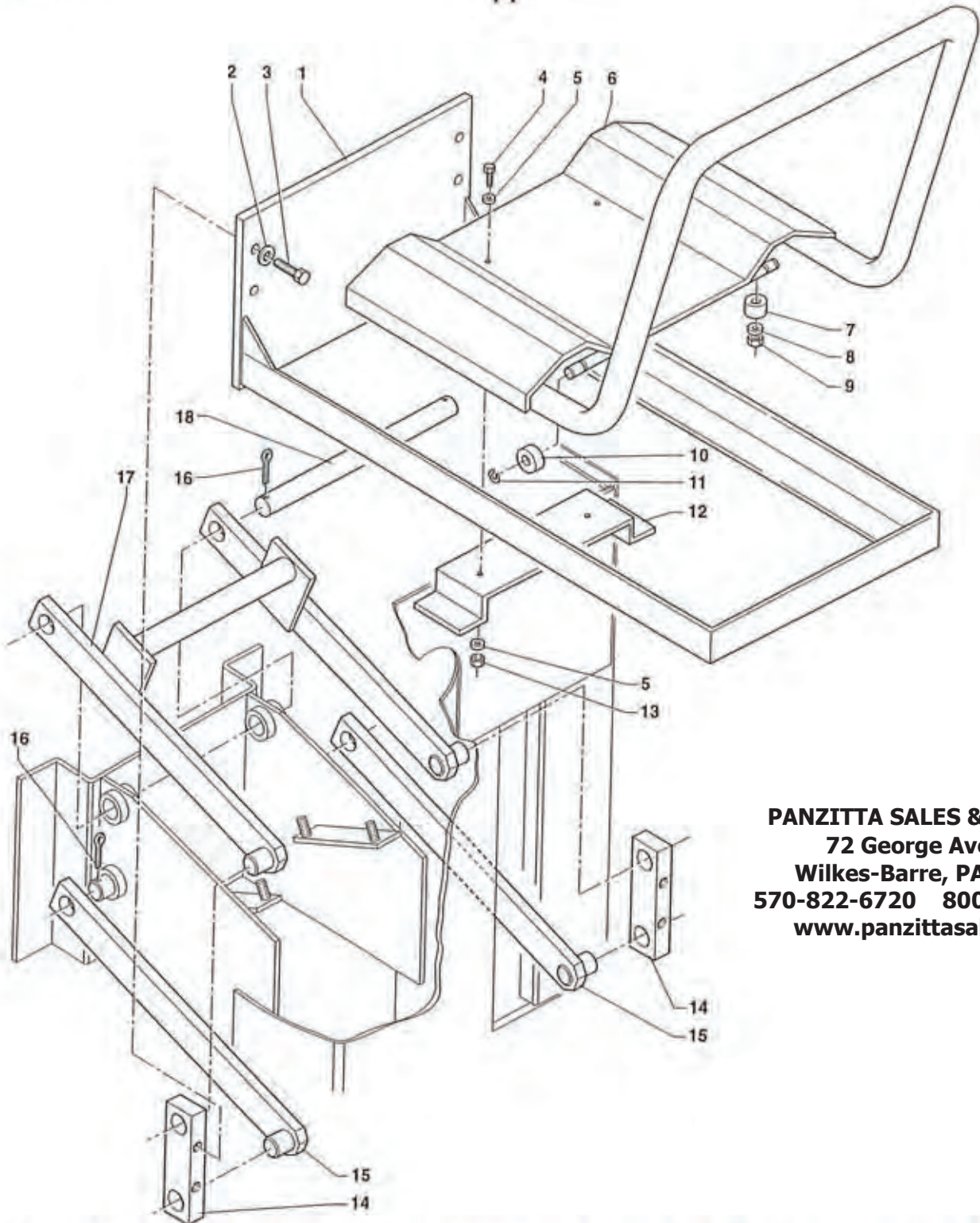
PANZITTA SALES & SERVICE
72 George Avenue
Wilkes-Barre, PA 18705
570-822-6720 800-822-6720
www.panzittasales.com



N.	CODE	DATA	N.	CODE	DATA	N.	CODE	DATA
1	526003237	*	11	14FW31322		21	325035008	*
2	86SB44557		12	317232034	*	22	311233008	*
3	517140515		13	329007043	*	23	42FW33446	
4	321232004	*	14	523031916	*	24	311220070	*
5	321212010	*	15	14FW33850		25	325035006	*
6	42FW31326		16	42FW33448		26	42FW38517	
7	21FW31325		17	311220095	*			
8	319216068	*	18	321232008	*			
9	311120128	*	19	311120042	*			
10	14FW38518		20	18FW31346	*			



N.	CODE	DATA	N.	CODE	DATA	N.	CODE	DATA
1	172082894	*	11	170001408	*	21	163007040	*
2	420228104		12	164000014	*			
3	161900110	*	13	174000201	*			
4	42FL33902		14	163025062	*			
5	311120093	*	15	170001309	*			
6	325035008	*	16	172080592	*			
7	311120100	*	17	172082892	*			
8	321232010	*	18	170001310	*			
9	325035010	*	19	162368905	*			
10	173010901	*	20	179004006	*			



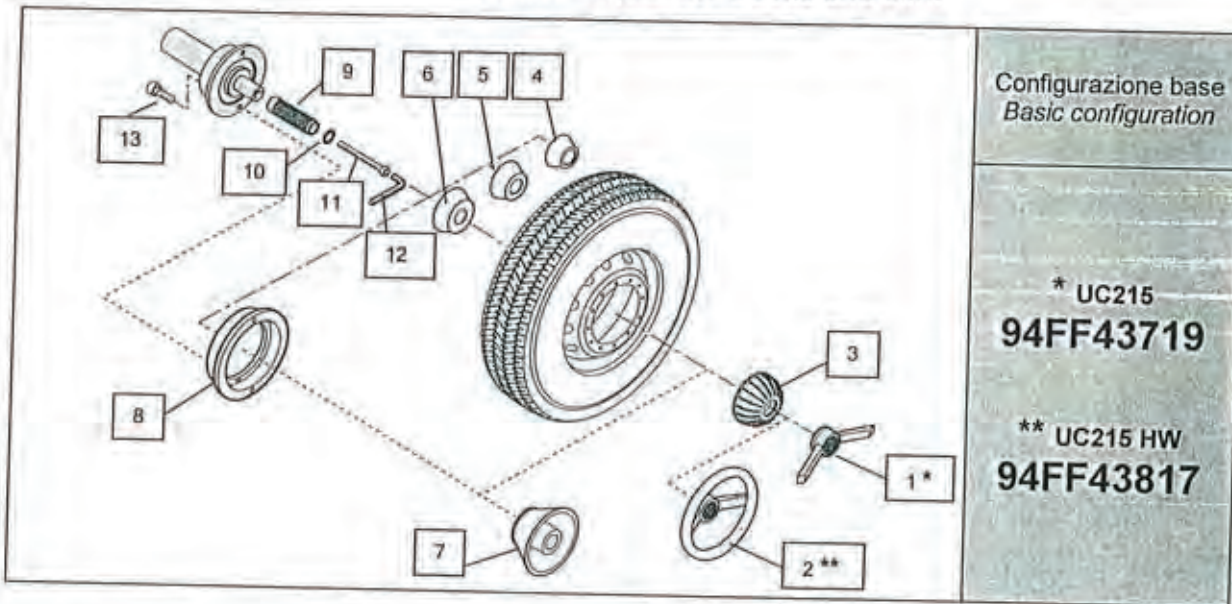
PANZITTA SALES & SERVICE
 72 George Avenue
 Wilkes-Barre, PA 18705
 570-822-6720 800-822-6720
 www.panzittasales.com

N.	CODE	DATA	N.	CODE	DATA	N.	CODE	DATA
1	42FL32466		11	341000012	*			
2	325035012	*	12	420224163				
3	311120147	*	13	321232006	*			
4	311220071	*	14	42FL33900				
5	325035006	*	15	42FL33901				
6	420228001		16	337110025	*			
7	420424165		17	42FL33904				
8	325035008	*	18	420419938				
9	321232008	*						
10	217024160							

Ø 40

UC215

Flangia a coni per autocarri ed autovetture
Cone adaptor for trucks and cars



Configurazione base
 Basic configuration

* UC215
94FF43719

** UC215 HW
94FF43817

CARATTERISTICHE GENERALI

- Per equilibratrici con corpo flangia a coni incorporato nell'albero della macchina, completo di molla precaricata
 - Con coni in acciaio temperato e albero rettificato
 - Per bloccaggio di ruote con foro centrale vettura e camion
- 2** consigliata quando non viene montato il carter di protezione

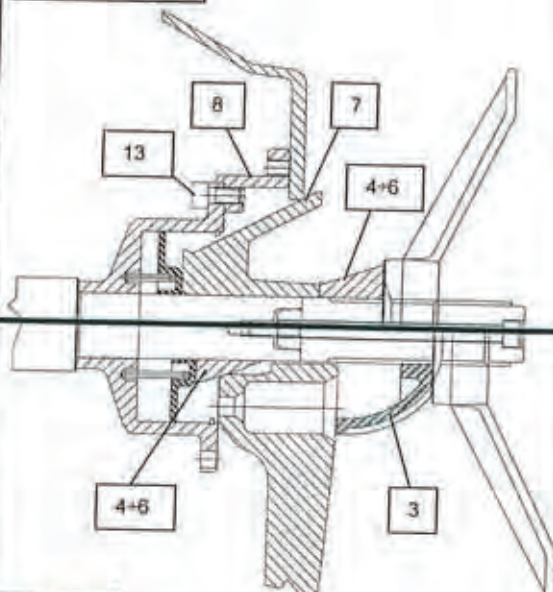
GENERAL FEATURES

- For balancers with cone adaptor body incorporated in machine shaft and pre-load built-in spring
 - With hardened steel cones and ground shaft
 - To lock car and truck wheels with central hole
- 2** recommended when wheel guard is not used

Ref.	Code	Data
1*	40FF43726	G40 Winged locking
2**	41FF43728	GM40 Winged locking + handwheel
3	40FF43730	Hollow sleeve
4	40FF43714	A1 cone Ø 43+69
5	40FF43715	A2 cone Ø 60+81
6	40FF43716	A3 cone Ø 79+110
7	40FF43717	5L cone Ø 97+170 $\sqrt{80}$
8	40FF43745	G40 disc
9	42FM45813	Threaded end
10	325047011	Washer Ø 11/16
11	312120137	Screw M10x160 UNI5931
12	114008002	8 mm Allen Wrench
13	312120119	Screw M10x20 UNI5931

EXAMPLES

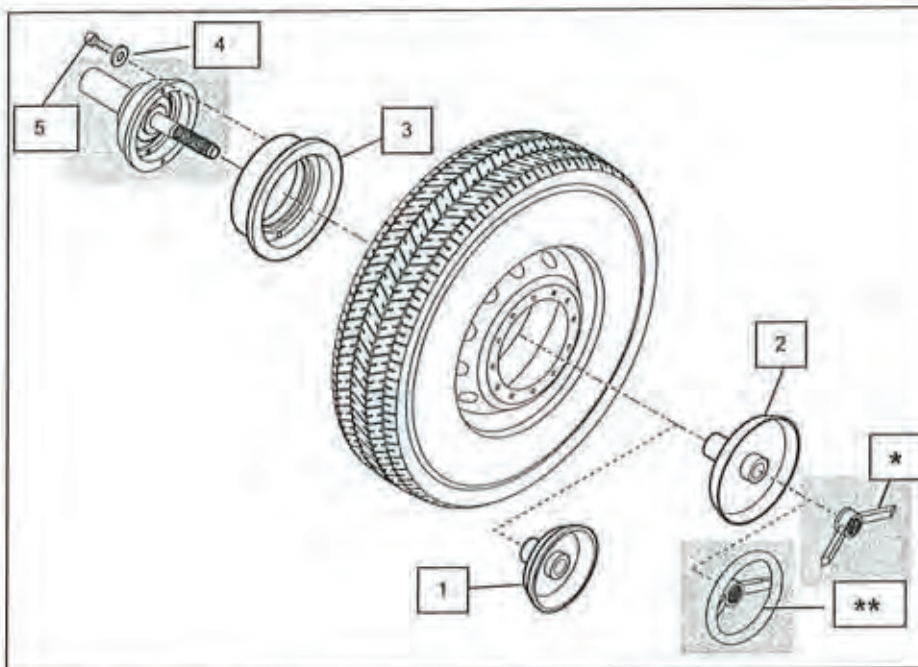
LIGHT TRUCKS



CARS

PANZITTA SALES & SERVICE
 72 George Avenue
 Wilkes-Barre, PA 18705
 570-822-6720 800-822-6720
 www.panzittasales.com

**Kit di centraggio
Centering kit**



41FF43821

da montare su /
to be used with:

* UC215

** UC215 HW

CARATTERISTICHE GENERALI

- Adatto per tutte le ruote di autocarro
- Per bloccaggio di ruote con foro centrale

** consigliata quando non viene montato il carter di protezione

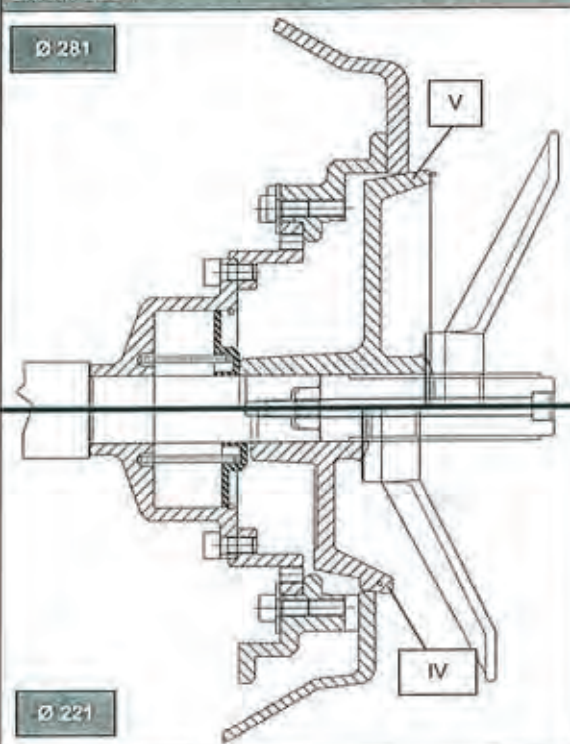
GENERAL FEATURES

- Fit for all trucks wheels
- To lock wheels with central hole

** recommended when wheel guard is not used

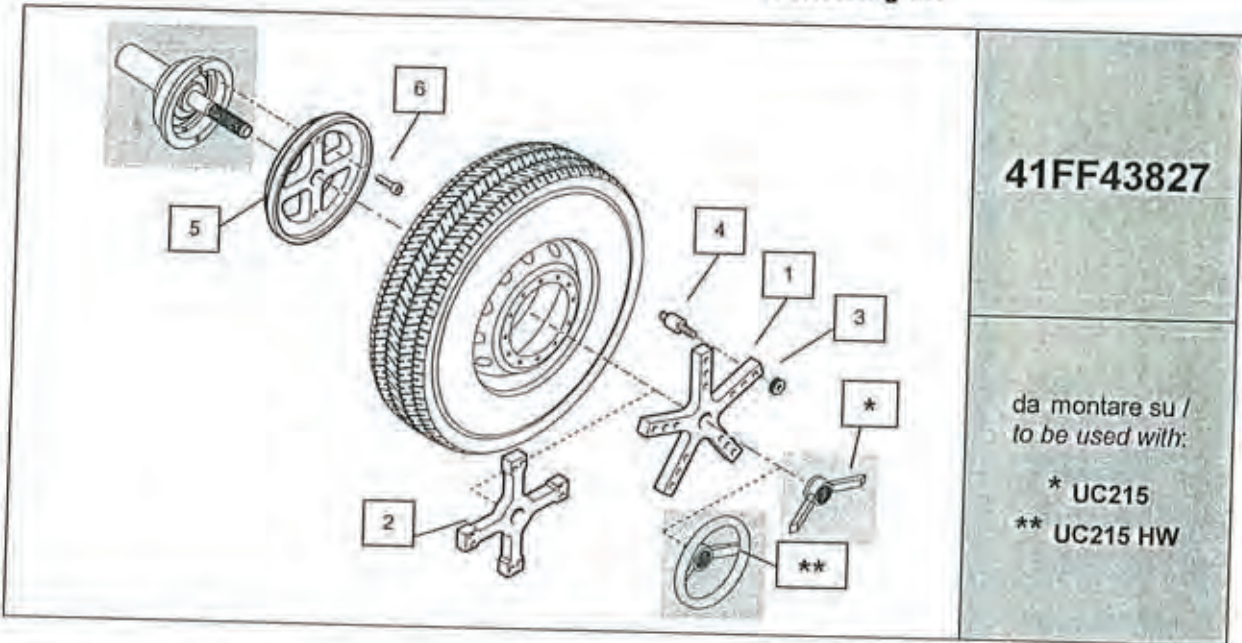
Ref.	Code	Data
1	40FF43748	IV cone Ø 202/221
2	40FF43747	V cone Ø 281
3	940010105	GG disc
4	326035011	Flat washer Ø 11/30/2.5 UNI 6593
5	312120119	Screw M10x20 UNI 5931

EXAMPLES



PANZITTA SALES & SERVICE
72 George Avenue
Wilkes-Barre, PA 18705
570-822-6720 800-822-6720
www.panzittasales.com

Kit di centraggio
Centering kit



41FF43827

da montare su /
to be used with:

* UC215

** UC215 HW

CARATTERISTICHE GENERALI

- Adatto per tutte le ruote di autocarro con centraggio della ruota sul mozzo
- Ottimo per bloccaggio di ruote con foro centrale usurato o deformato
- La centratura precisa è assicurata dalle colonnette (4) quando entrano nei corrispondenti fori sul disco e si appoggiano sulla flangia di centratura (5). Le colonnette vanno inserite nelle crocere (1) o (2) nei fori interessati. Serrare la crocera con la ghiera in dotazione (*) o (**).

** consigliata quando non viene montato il carter di protezione

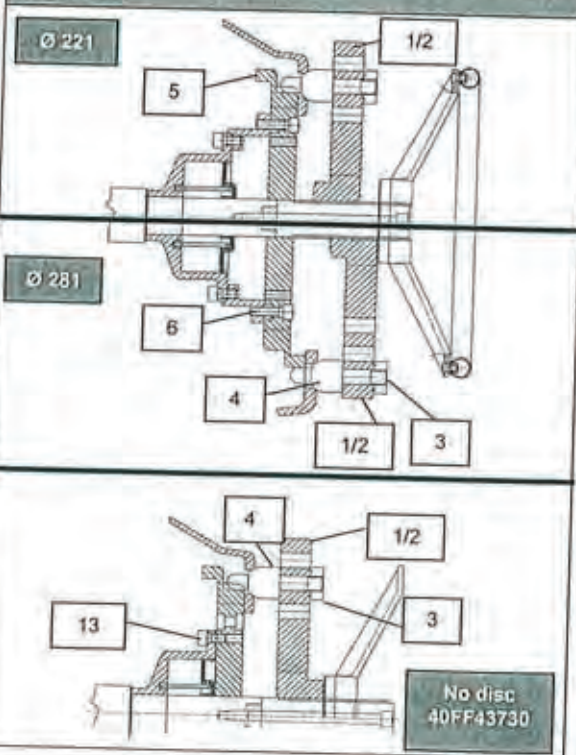
GENERAL FEATURES

- Fit for all trucks wheels with centering of the wheel on the hub
- Excellent to lock wheels with worn or deformed central hole
- An accurate centering is provided for by means of pins (4) entering the matching holes on the disc and leaning on the adaptor (5). Pins are to be inserted in adaptor bodies (1) or (2) in the appropriate holes. The adaptor body is to be tightened through the ring in the fitting kit (*) or (**).

** recommended when wheel guard is not used

Ref.	Code	Data
1	40FF43829	4 arm adaptor body
2	40FF43830	5 arm adaptor body
3	40FF44995	Nut
4	40FF43831	Centering stud
5	40FF43832	Centering adaptor
6	312120122	Screw M10x35 UNI 5931

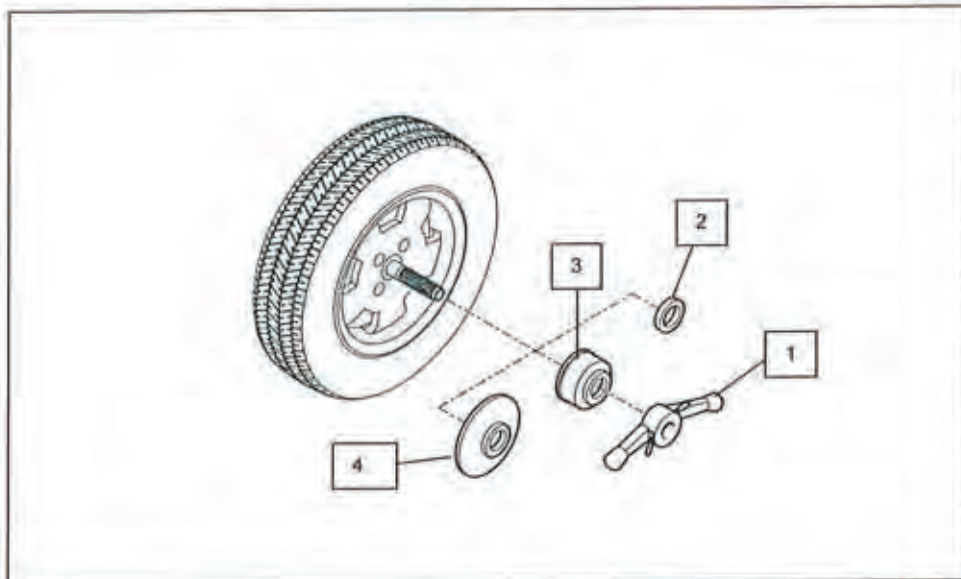
EXAMPLES



PANZITTA SALES & SERVICE
72 George Avenue
Wilkes-Barre, PA 18705
570-822-6720 800-822-6720
www.panzittasales.com

Kit Pro-grip**Ø 40x4****Option**

Kit di serraggio rapido per vettura
Quick-locking kit for cars

**41FF43833**

da montare su /
to be used with:

* UC215

** UC215 HW

CARATTERISTICHE GENERALI

- Per bloccaggio di ruote in lega (4)

GENERAL FEATURES

- To lock wheels with alloy rims (4)

Ref.	Code	Data
1	40FF43846	Pro Grip locking 40x4
2	40FF43847	Pressure ring
3	40FF43848	Standard sleeve
4	40FF42047	RLH sleeve

PANZITTA SALES & SERVICE
72 George Avenue
Wilkes-Barre, PA 18705
570-822-6720 800-822-6720
www.panzittasales.com