

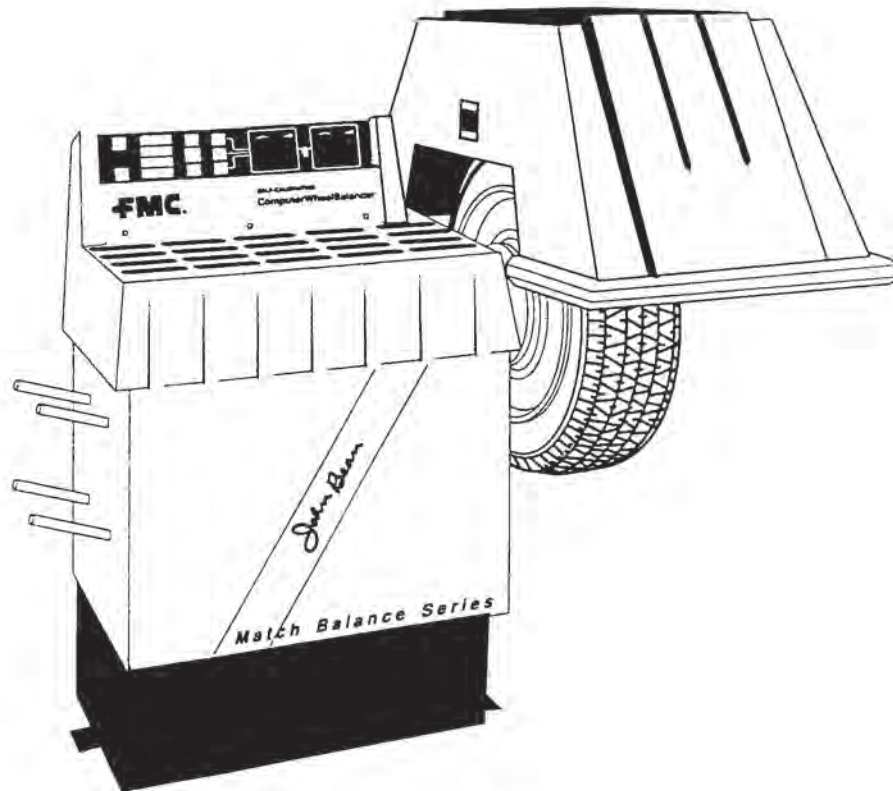
PANZITTA SALES & SERVICE  
72 George Avenue  
Wilkes-Barre, PA 18705  
570-822-6720 800-822-6720  
www.panzittasales.com

**FMC**

# FMC COMPUTER WHEEL BALANCER

PARTS REFERENCE MODELS 5800/5850/5855

FORM NUMBER 4270-9



Addendum - 5850/5855 (EXPORT) Parts Reference

5850 230VAC, 60Hz, 3Ph.

Motor	61038
Motor Assy (Incl Harness)	61465
Transformer	110458
Terminal Block	61175
Switch & Fuse Assy	110260
Combination Label	61491
Caution Label	61237
Motor Drive Pulley	61768
Power Cord	110312

5850-1 230VAC, 60Hz, 1Ph

Motor	61459
Motor Assy (Incl Harness)	61476
Transformer	110458
Terminal Block	61175
Switch & Fuse Assy	110260
Combination Label	61492
Caution Label	61508
Motor Drive Pulley	61768
Power Cord	110313

5850-11 220VAC, 50Hz, 3Ph

Motor	61342
Motor Assy (Incl Harness)	61534
Transformer	110458
Terminal Block	61175
Switch & Fuse Assy	110260
Combination Label	61485
Caution Label	61509
Motor Drive Pulley	61769
Power Cord	110312

5850/5855-9 380VAC, 50HZ, 3Ph

Motor	61342
Motor Assy (Incl Harness)	61389
Transformer	110458
Terminal Block	61381
Switch	61408
Combination Label	61384
Caution Label	61386
Motor Drive Pulley	61769
Power Cord	110312
Snubber Board Assy	70296

5850-10 220VAC, 50Hz, 1Ph

Motor	61559
Motor Assy (Incl Harness)	61567
Transformer	110458
Terminal Block	61175
Switch & Fuse Assy	110260
Combination Label	61486
Caution Label	61508
Motor Drive Pulley	61769
Power Cord	110313

5850/5855-12 415VAC, 50Hz, 3Ph

Motor	61513
Motor Assy (Incl Harness)	61389
Transformer	110458
Terminal Block	61381
Switch	61408
Combination Label	61488
Caution Label	61510
Motor Drive Pulley	61769
Power Cord	110312
Snubber Board Assy	70296

5850-8 208VAC, 60Hz, 3Ph

Motor	61038
Motor Assy (Incl Harness)	61466
Transformer	110458
Terminal Block	61175
Switch & Fuse Assy	110260
Combination Label	61496
Caution Label	61281
Motor Drive Pulley	61768
Power Cord	110312

**PANZITTA SALES & SERVICE**  
**72 George Avenue**  
**Wilkes-Barre, PA 18705**  
**570-822-6720 800-822-6720**  
**www.panzittasales.com**

# **5800/5850/5855 WHEEL BALANCER PARTS REFERENCE**

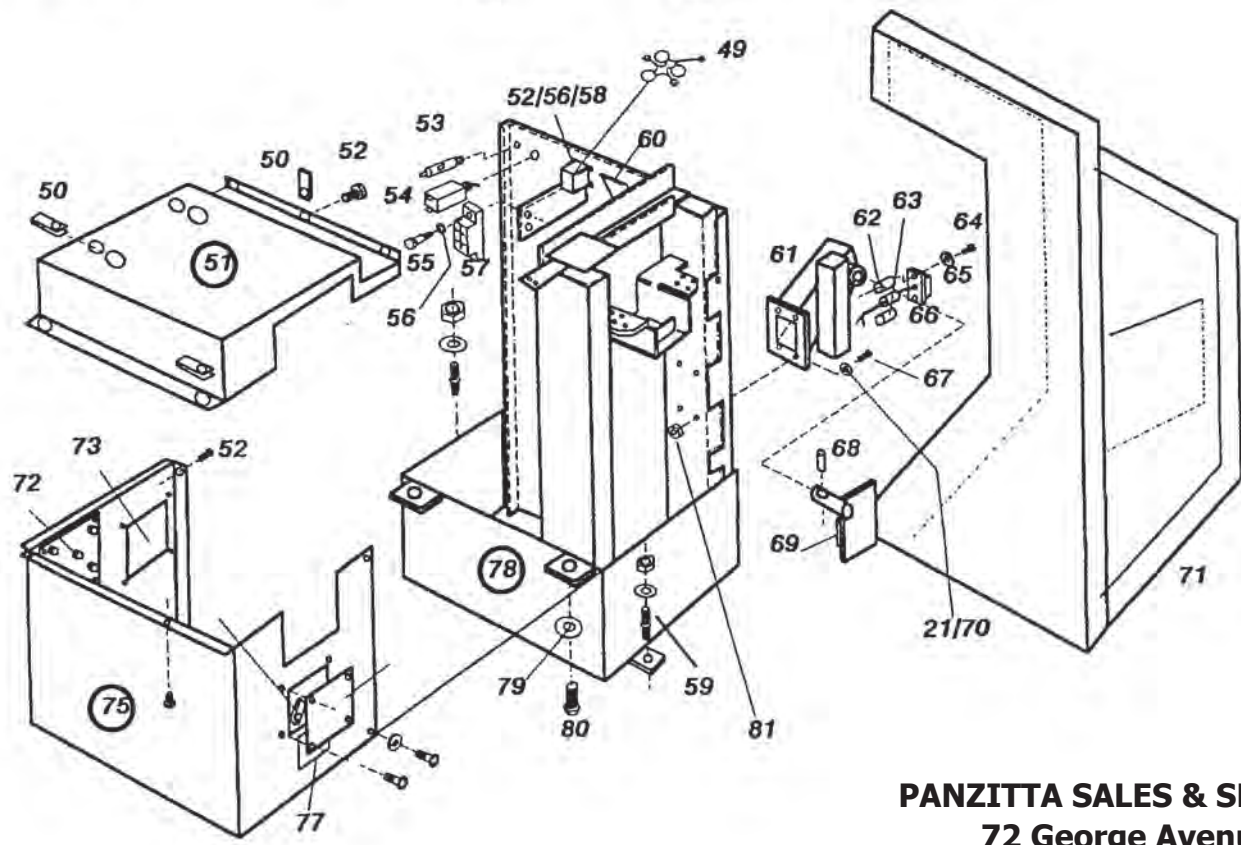
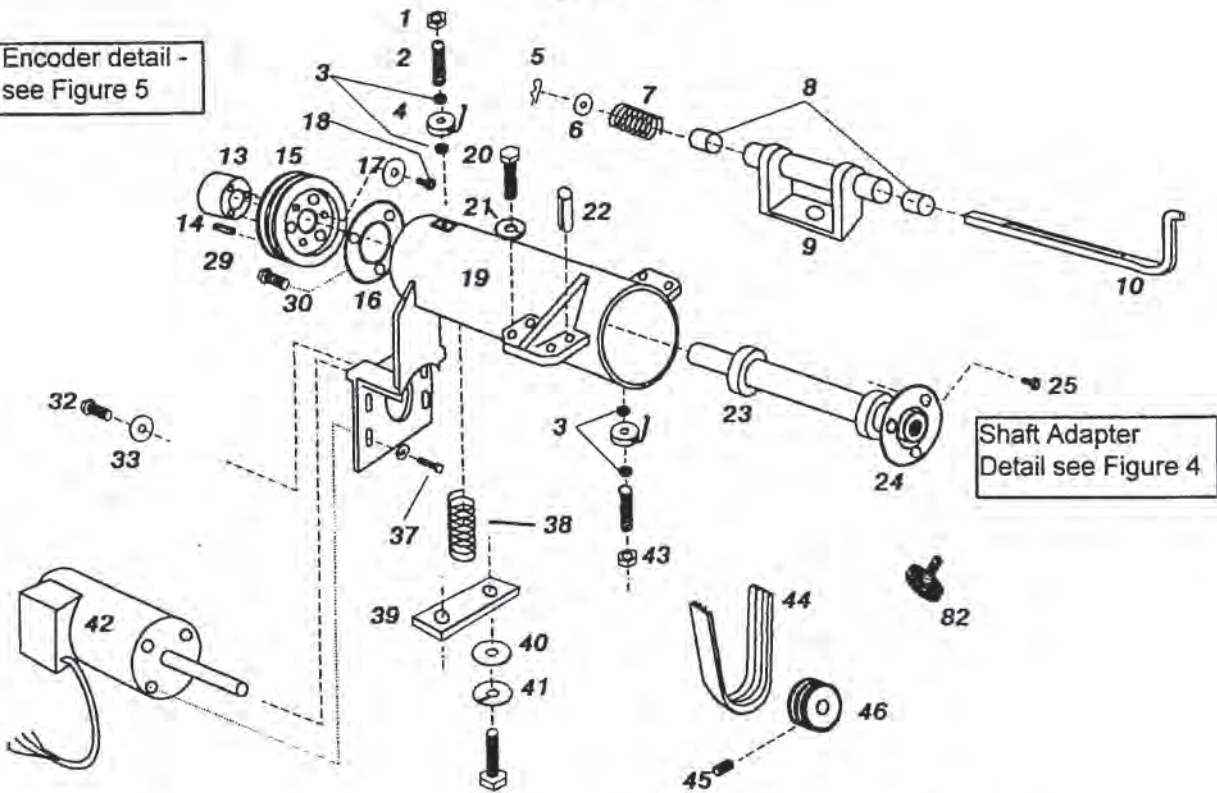
## **TABLE OF CONTENTS**

<b>Addendum</b>	<b>2</b>
<b>I. Table Of Contents</b>	<b>3</b>
<b>II. Base Assembly</b>	<b>4-5</b>
<b>III. Weight Tray, Decals</b>	<b>6-7</b>
<b>IV. Single Phase Assembly</b>	<b>8-9</b>
<b>V. Standard Accessories, Encoder</b>	<b>10-11</b>

**PANZITTA SALES & SERVICE**  
72 George Avenue  
Wilkes-Barre, PA 18705  
570-822-6720 800-822-6720  
[www.panzittasales.com](http://www.panzittasales.com)

# Figure 1

Encoder detail -  
see Figure 5

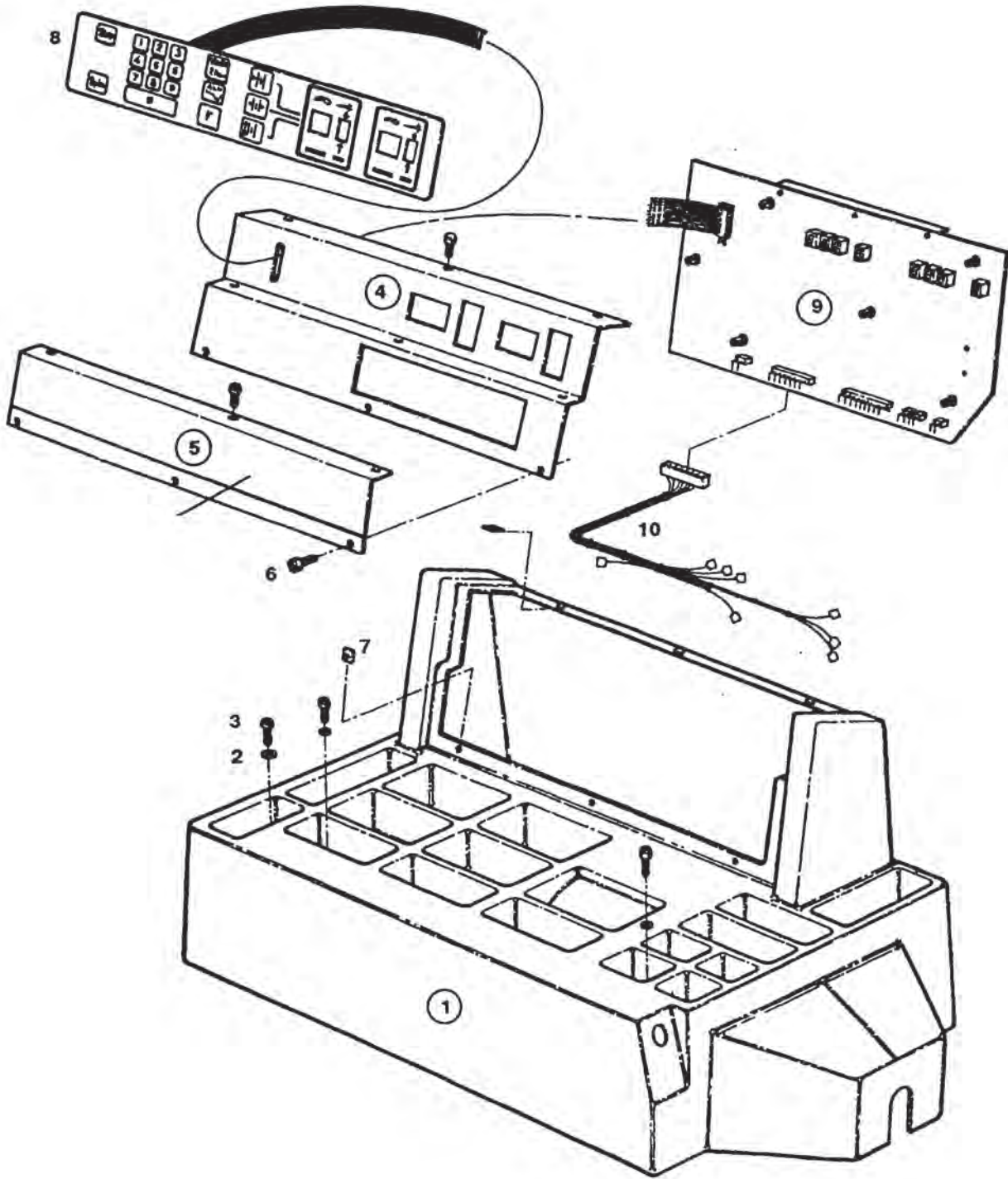


**PANZITTA SALES & SERVICE**  
**72 George Avenue**  
**Wilkes-Barre, PA 18705**  
**570-822-6720 800-822-6720**  
**www.panzittasales.com**

<i>Ref No</i>	<i>Part No</i>	<i>Description</i>	<i>Ref No</i>	<i>Part No</i>	<i>Description</i>
1	1121551	Hex Jam Nut 3/8-16x1-1/2"(LH P-up)	61	61970	Support Weldment for hood guard
2	1103516	Setscrew 3/8-16x1-1/2" Cup Pt.	62	110128	Unthreaded Space
3	1177856	Steel Ball 7/32" Diam.	63	61874	Unthreaded Swage Spacer
4	<b>60809</b>	<b>Pick-Up (Transducer) Assembly</b>	64	1115730	Screw #6-32x1-1/4"
5	1101948	Hitch Pin	65	1177246	#6 Int. Tooth Lockwasher
6	1107385	1/2" Flat Washer	<b>66</b>	<b>61831</b>	<b>Interlock Switch</b>
7	61243	Distance Gauge Spring	67	1111614	Bolt HHCS 3/8-16x3.0"
8	61285	Nyliner 1/2" I.D.	68	1101794	Roll Pin 5/16x1-1/2"
9	61284	Bracket Weldment, Distance Gauge	<b>69</b>	<b>61829</b>	<b>Interlock Switch Magnet</b>
10	61205	Arm Assy, Distance Gauge	70	1107383	3/8" Flat Washer
*	61207	Scale Label for Dist. Gauge	71	61986	Wheel Cover Assembly
13	110295	Sheave Bushing	72	110292	Storage Pin Weldment
14	1187577	Key 14x14x1-3/4"	73	61623	Power Access Cover (2 Used)
15	110294	Large Pulley (Driven Sheave)	75	61752	Skin Weldment-Outer(SVC)
16	61763	Bearing Preload Plate	77	61231	Label "Danger, Disconnect Power"
17		P/O (13) 110295	78	61673	Base Weldment
18		P/O (13) 110295	79	1100241	1/4" Lockwasher
19	61180	Machined Bearing Housing	80	1100805	Screw HHCS 1/4-20x3/4"
20	1100043	Screw HHCS 3/8	81	1121509	Hex Nut 3/8-16
21	1100243	3/8 Lockwasher	82	110563	Calibration Slug
22	1185339	Spring Pin 1/2x1-1/4"	*	70296	Snubber PCB
23	110418	Shaft and Bearing Assembly	*	61712	Spacer #10-24x.344
25	1112276	Screw SHCS #10-24x3/8"	*	110117	Bumper Plate
29	1115765	Screw RHP #8-32x3/4"	*	1228668	Strain Relief
30	1101726	Screw BH #10-24x1/2"	*	110343	Power Cord
32	1100804	Screw HHCS 1/4-20x1/2"	*	110100	Hang Sheet Instructions
33	1107381	1/4" Flat Washer	*	110321	Hang Sheet Instructions - Match Balance
37	1100043	Screw HHCS 3/8-16x1-1/4"	*	110098	Guard Support Assembly
38	61193	Preload Spring	*	80280	CSA Label
39	61194	Preload Spring Support	*	59366	Label-Caution, French
40	1100256	3/8" Plain Washer	*	61237	Label-Caution, 230V/3PH.
41	1100243	3/8" Lockwasher	*	110155	Label "5850"
42	61675	Motor Assy, 230V/3PH.(Harn Incl)	*	110156	Label "5855"
*	61676	Motor Assy, 208V/3PH.(Harn Incl)	*	61316	Label-Lockout Power
*	61038	3PH, Drive Motor (Harn, Not Incl)	*	80281	UL Label
43	1121551	Hex Jam Nut 3/8-16 (LH P-up)	*	110275	Patent Label
<b>44</b>	<b>61191</b>	<b>Drive Belt</b>	*	110305	Label-Caution, Shaft
45	1101745	Setscrew 1/4-20x3/8"	*	110319	Tag-Balancer Shaft
46	61768	Small Drive Sheave - Pulley	*	110321	Match Mount Hangsheet
49	110368	MOV Assembly, 275V/3PH.	*	60677	Chain-Hangsheet
*	110369	MOV Assembly, 230V/1PH	*	110312	3ph Power Cord
*	110370	MOV Assembly, 380/415V/3PH	*	110344	1ph Power Cord
50	1101567	Tinnerman Nut #10-24	*	110456	Enhancement Kit - includes:
51	110291	Upper Fire Shield Weldment			4 - 61116 terminals
52	1101645	Screw BHSC #10-24x3/4"			5 - 74105 1 amp fuses
53	64087	Fuseholder, Panel			1 - 110421 diode kit
54	110251	Toggle Switch - On/Off power			1 - 110368 MOV assembly
*	110259	Mounting Plate			1 - 110451 Snubber board
*	82820	Wire Jumper			Installation Instructions
55	1115820	Screw PH #10-24x3/4"			
56	1187559	#10 Lockwasher			
57	61175	Terminal Block			
58	110458	Transformer			
59	61750	Anchor Stud - 1/2-13 x 3 3/4			
60	66695	Edge Trim			
				<b>*Not Shown</b>	

**PANZITTA SALES & SERVICE**  
**72 George Avenue**  
**Wilkes-Barre, PA 18705**  
**570-822-6720 800-822-6720**  
**www.panzittasales.com**

Figure 2



**PANZITTA SALES & SERVICE**  
**72 George Avenue**  
**Wilkes-Barre, PA 18705**  
**570-822-6720 800-822-6720**  
**www.panzittasales.com**

<i>Ref No</i>	<i>Part No</i>	<i>Description</i>
1	110244	Weight Tray
*	110297	Kit-Weight Tray & Tray Support
2	61746	Washer, Weight Tray
3	1101645	Screw BHSC #10-24x3/4"
4	61869	Front Panel
5	61227	Access Cover
6	1101726	Screw BHSC #10-24x1/2"
7	1101567	Speed Nut (Tinnerman) #10-24
8	61228	Membrane Switch Panel (Adhesive Backing)
9	110346	<b>Electronics PCB Assembly (Match Mount)</b>
10	61610	Harness Assembly, Power-PCB
*	70134	Battery, DS3GT (For 61134 - or 110102 "F8" processor PCBs)
*	1101753	Speed Nut (Tinnerman) #8-32
*	1115765	Screw PH #8-32x3/4"
*	1177576	ESNA Nut #10-24
*	61649	Hex Standoff #10-24x3/4"
*	61199	Cable Assy, Interlock Switch To Spin Contactor

\* Use Kit 110297 to replace older style weight trays. Current production units are supplied with the Weight Tray Support.

\* Not Shown

### 5800 Decals and Labels

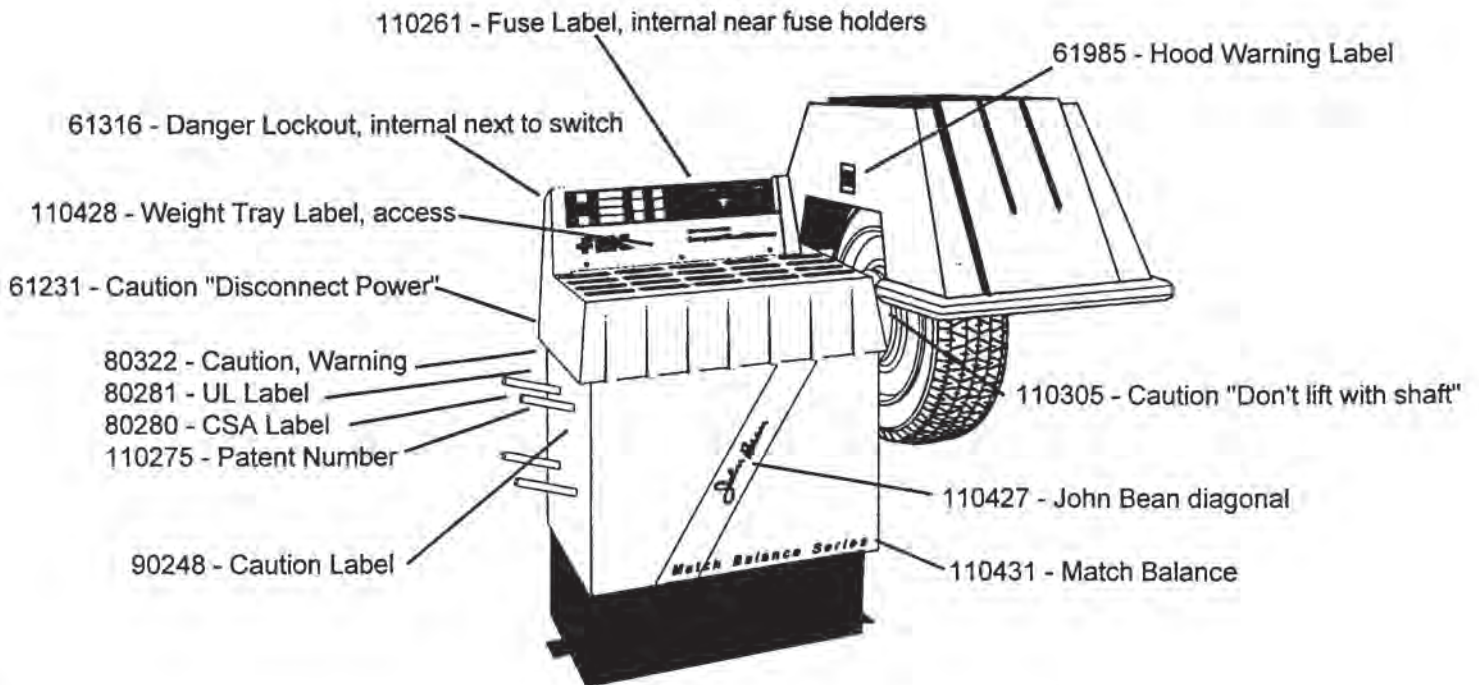
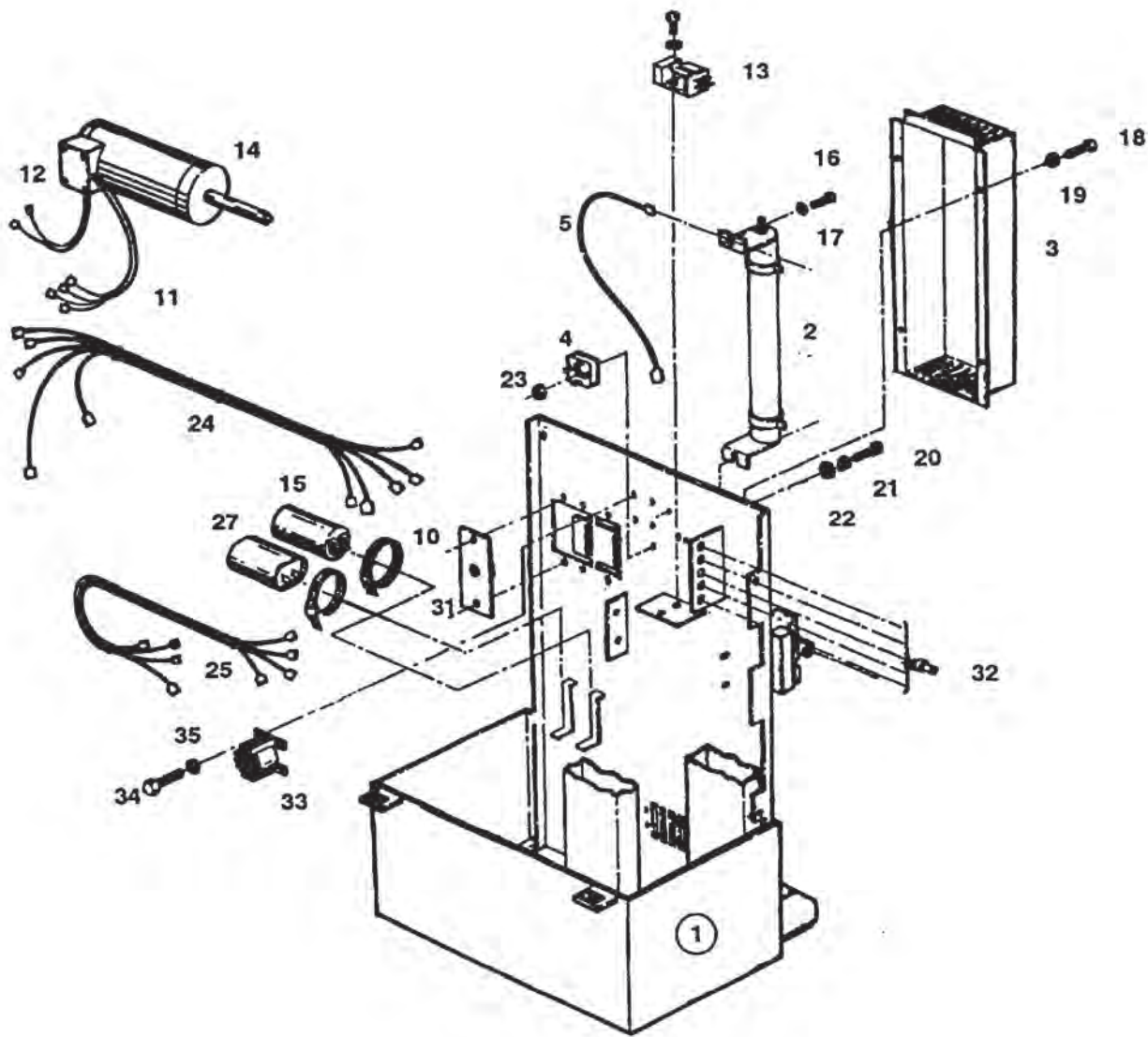


Figure 3

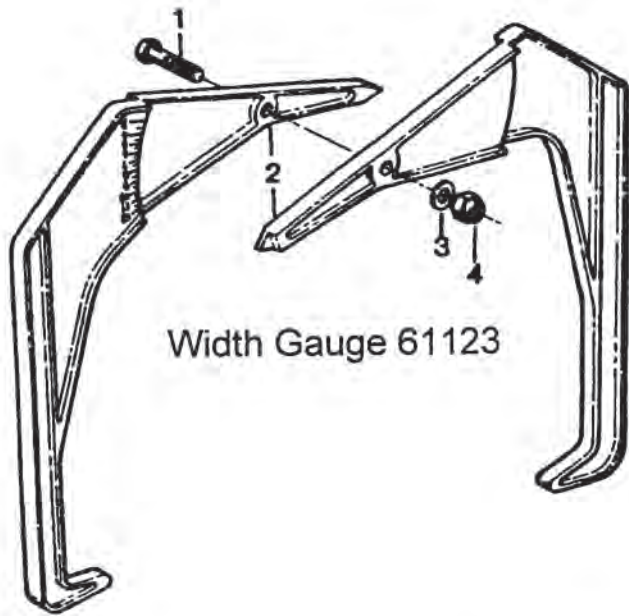




**PANZITTA SALES & SERVICE**  
**72 George Avenue**  
**Wilkes-Barre, PA 18705**  
**570-822-6720 800-822-6720**  
**www.panzittasales.com**

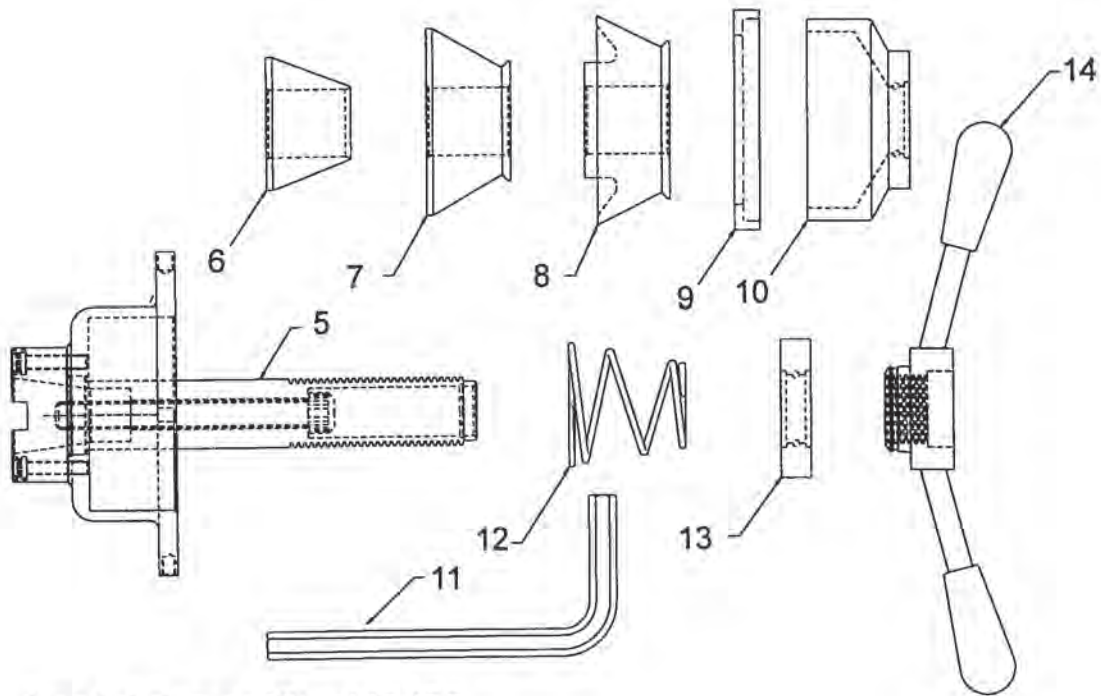
<i>Ref No</i>	<i>Part No</i>	<i>Description</i>
1	61673	Base Weldment
2	110309	Resistor-11 Ohm, 1500 Watt (All except 5850-12)
3	61295	Cover-Resistor
4	<b>110005</b>	<b>Bridge Rectifier Assy (For 208-230V Models)</b>
*	110004	Bridge Rectifier Assy (For 115V Models)
*	70532	Varistor For 230V
5	61666	27" Wire Assembly-Resistor
*	60852	Label-Ground (On Back Of Machine)
*	1109766	Hex Nut #10-24
*	69836	Ground Screw (On Inside Of Rear Panel Near Terminal Block)
10	1101651	7/16" Hose Clamp (Capacitors)
11	61670	Cord Assembly-Motor, 1 Phase
*	61671	Cord Assembly-Motor, 3 Phase
12	61469	Cord Assembly-Capacitor
<b>13</b>	<b>61174</b>	<b>Contactor</b>
14	61674	Motor Assembly, 230V/1 Phase (Includes Wire Harness)
*	61459	Drive Motor, 1 Phase (Wire Harness IS NOT Included)
15	61460	Motor Start Capacitor- AC, 120-157uf @ 330VAC
16	1100805	Screw HHC 1/4-20x3/4" (Resistor)
17	1100241	1/4" Lockwasher
18	1115810	Screw #10-24x1/2" Ph Rec, Rd. Hd.
19	1100240	#10 Lockwasher
20	1110673	Screw RHMS #8-32x1.0"
21	1187293	#8 Flat Washer
22	1103990	#8 Ext. Tooth Lockwasher
23	1181298	KEPS Nut #8-32
24	61464	12" Jumper Assembly
25	61639	Harness Assembly, Transformer Secondary
*	61299	Label-Caution, 230V/1 Phase (On Rear Panel)
27	61461	Capacitor, AC-Run, 15uf @ 370VAC
*	1121507	Hex Nut 1/4-20
*	1212266	Wire Nut
*	61478	Retrofit Kit-230V/1 Phase Motor/Capacitors (Convert from 3ph to 1ph)
*	61179	4" Jumper Assembly (5850 Only)
31	110259	Mounting Plate, Switch & Fuse
32	64087	Fuseholder, Panel Mount
*	<b>74105</b>	<b>Fuse 1.0 Amp SLO BLO</b>
*	110261	Fuse Label
*	110288	Fuse Label (5850/5855)
33	110458	Transformer
34	1115800	Screw #10-24
35	1187559	#10 Ext. Tooth Lockwasher
*	60385	Nutsert #10-24
*	999618	Foam Tape 3/8x3/4"
*	1262678	Rubber Grommet-Resistor Wires

\*Not Shown

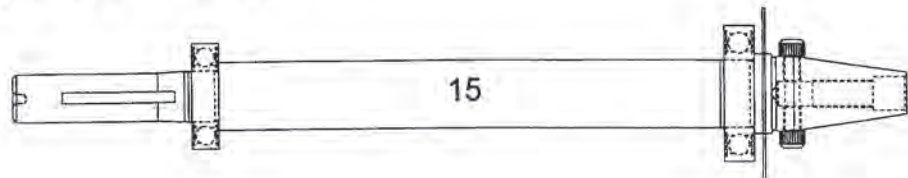


Width Gauge 61123

**Figure 4**  
**5800 Balancer**  
**Accessories**



Shaft Adapter Kit - 110435



# 5800 Balancer Accessories

Ref No	Part No	Description
1	1100086	3/16-16X1-3/4" HHC Screw
2	61122	Rim Width Gauge Arm
3	1107383	3/8" Flat Washer
4	1120240	3/8-16 Light ESNA Nut
5	110436	Basic Centering Device
6	110559	Centering Cone - (42-80 MM) - Haweka Number - 150-400-011
7	110560	Centering Cone - (75-110 MM) - Haweka Number - 150-400-012
8	110561	Centering Cone - (95-124 MM) - Haweka Number - 150-400-049
9	110410	Rubber Protector - Haweka Number - 190-008-005
10	110595	Clamping Hood - Haweka Number - 190-008-002
11	110573	Allen Wrench - Haweka Number - D0091100012
12	110597	Mounting Spring
13	110596	Pressure Ring - Haweka Number - 190-008-003
14	110690	Wing Nut - Haweka Number - 140-404-117
15	110418	Shaft and Bearing Assembly
*	110435	Shaft Adapter Kit - includes items 5-14
*	4909	FMC Accessories Literature
*	4224-5	Operators Manual - 5800/5850/5855
*	61750	Anchor Stud
*	61993	Accessory Pack (Domestic)

**PANZITTA SALES & SERVICE**  
**72 George Avenue**  
**Wilkes-Barre, PA 18705**  
**570-822-6720 800-822-6720**  
**www.panzittasales.com**

Note: Haweka part numbers are stamped on some accessory parts. Numbers are included for your reference.

Ref	Qty	Part#	Description
1	1	110557	ENCODER - ROTARY OPTICAL
2	1	110587	MOUNT - ENCODER
3	1	110439	BRACKET - ANTI-ROTATION
4	2	1100804	SCREW - HHCS 1/4-20 X 1/2"
5	2	1107381	WASHER - FLAT 1/4"
6	1	110438	COUPLING
7	2	1112671	SCREW - SET, 10-24 X 1/4" HEX
8	1	110440	CABLE ASSEMBLY - ENCODER
9	1	64383	CABLE TIE

5800 Encoder System  
 Kit: 110443 - Dom  
 110444 - Int

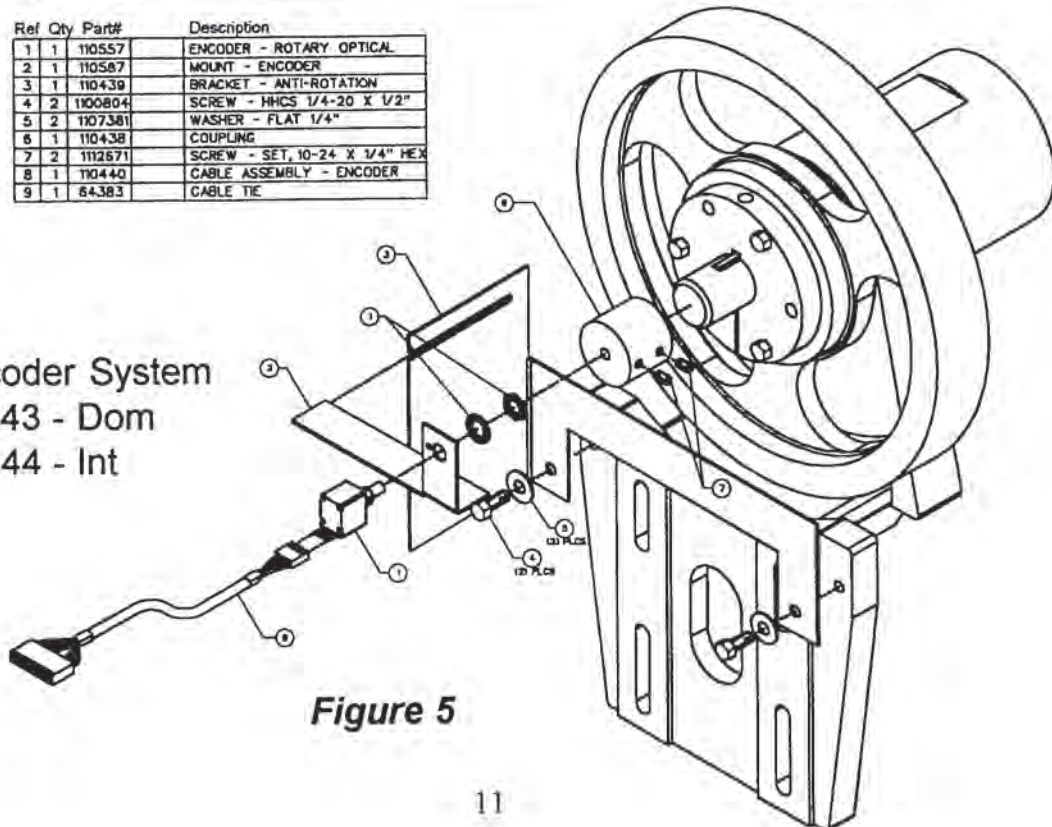


Figure 5