



PANZITTA SALES & SERVICE
72 George Avenue
Wilkes-Barre, PA 18705
570-822-6720 800-822-6720
www.panzittasales.com

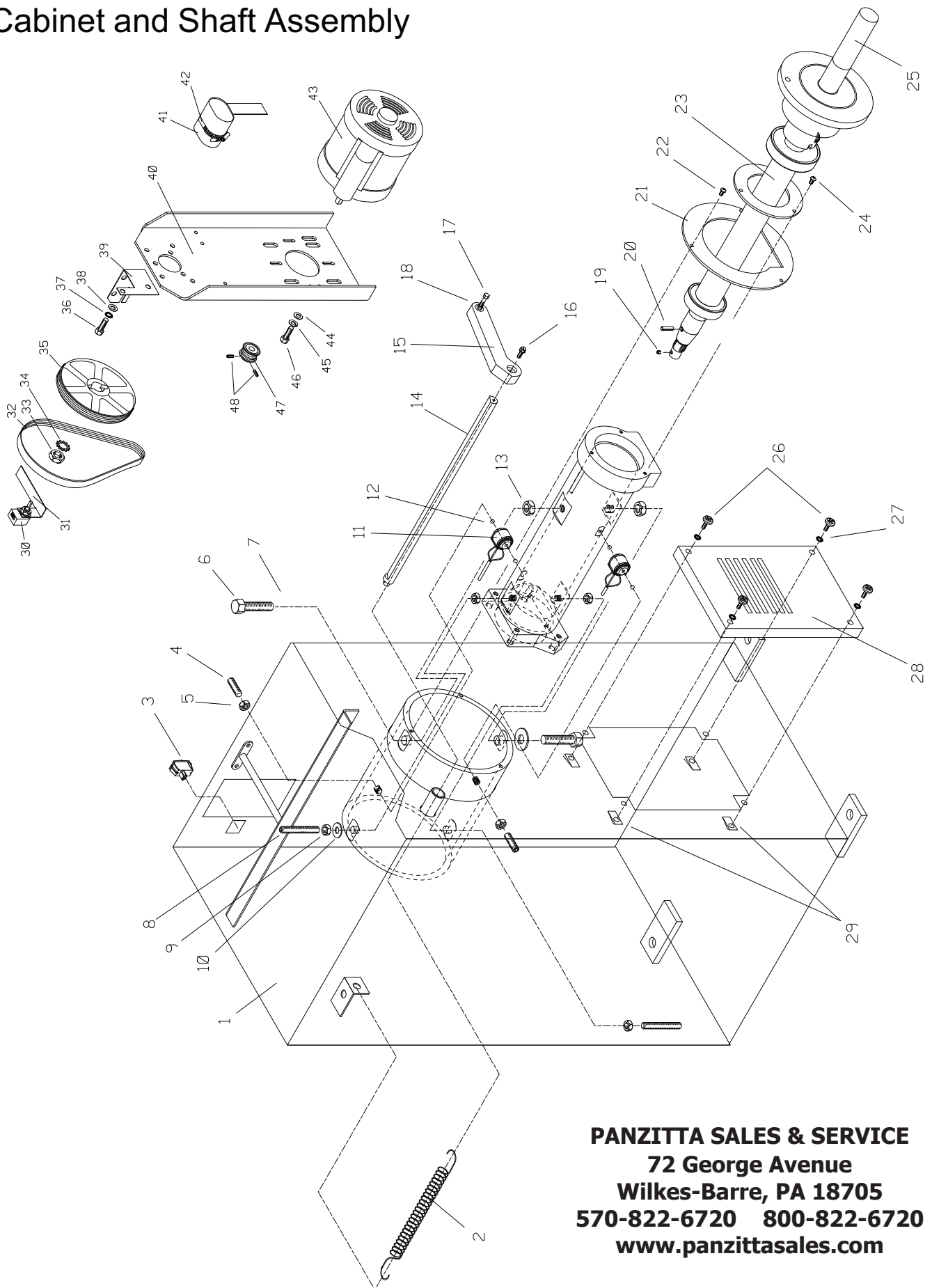
Parts Reference

5.1 Series Computerized Wheel Balancer



FORM 5163

Cabinet and Shaft Assembly



PANZITTA SALES & SERVICE
72 George Avenue
Wilkes-Barre, PA 18705
570-822-6720 800-822-6720
www.panzittasales.com

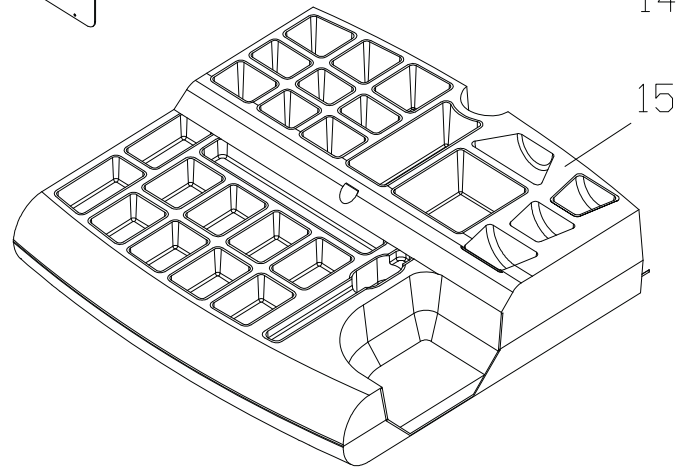
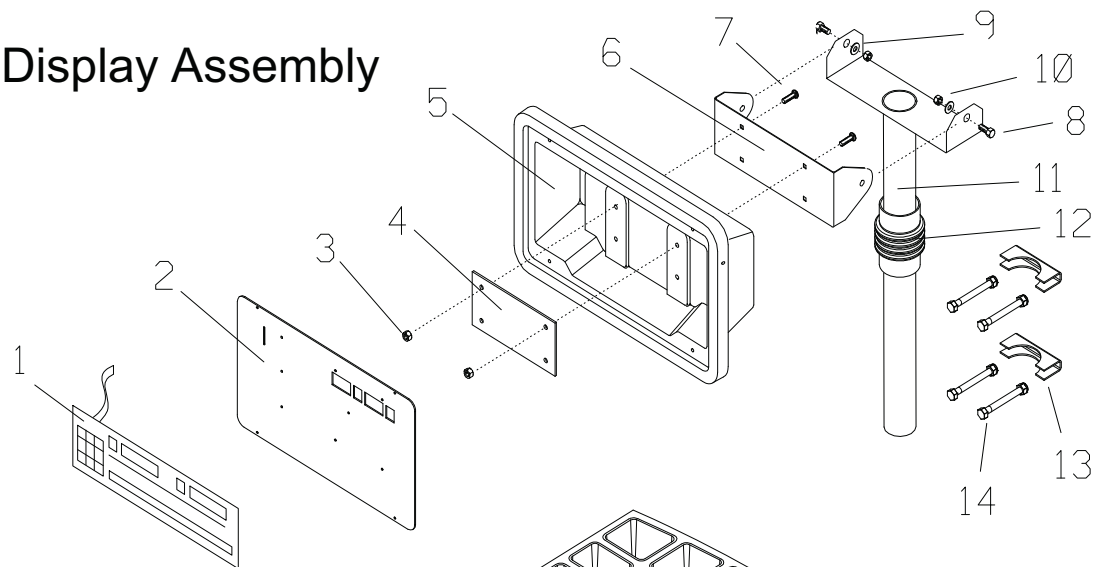
PANZITTA SALES & SERVICE
72 George Avenue
Wilkes-Barre, PA 18705
570-822-6720 800-822-6720
www.panzittasales.com

Ref No	No.	Req'd	Description
	1	1	Base Weldment
	2	1	Distance Gauge Spring
	3	1	On/Off Switch
	4	2	3/8 - 16 x 1.0" screw
	5	2	3/8 - 16 Jam Nut
	6	2	1/2 - 13 x 2 - 1/4" Setscrew
	7	2	1/2" Brass Flat Washer
	8	2	3/8 - 16 x 2 - 1/2" Setscrew
	9	2	3/8 - 16 Jam Nut
	10	2	3/8" Flat Washer
	11	2	Transducer Assembly
	12	2	7/32" Aluminum Ball
	13	2	1/2 - 13 Jam Nut
	14	1	Distance Gauge Rod
	15	1	Distance Gauge Extension
	16	1	10 - 24 x 5/8 self tap screw
	17	1	1/4 - 20 x 2" HHC Screw
	18	1	1/4 - 20 Hex Nut
	*	1	Distance Guage Assembly, includes items 14 - 18
	19	1	Set screw, 10 -24 x .25
	20	2	3/16 Roll Pin
	21	1	Suspension Tube Cap
	22	2	10 - 24 x 1/2" Screw
	*	2	#10 Int Tooth Lockwasher
	23	1	Shaft and Bearing assembly - Domestic
		1	Shaft and Bearing assembly - Export
	24	3	#10 - 24 x 3/8" SHCS Screw
	25	1	Stub Shaft
	26	4	#10-24x1/2" Screw
	27	4	#10 Int. Tooth Lockwasher
	28	1	Fan Support Plate
	29	4	Tinnerman nut
	30	1	Encoder
	31	1	Encoder Mount
	32	1	Drive Belt
	33	1	5/8 - 18 Jam Nut
	34		
	35	1	Large Pulley
	36	2	3/8 - 16 x 1" Hex Cap Screw
	37	2	3/8" Lock Washer
	38	2	3/8" Flat Washer
	39	1	Encoder Anti-rotation Bracket
	40	1	Motor Mount Weldment
	41	1	Run Capacitor - 115 volt (25uf 370v)
	*	1	Run Capacitor - 230 volt (25uf 370v)
	42	1	Hose Clamp
	43	1	Drive Motor Assembly, 115 volt
	*	1	Drive Motor Assembly, 230 volt
	44	4	Screw, HHCS, 3/8-16x1
	45	4	Lock Washer, 3/8
	46	1	Small Drive Pulley (60 Hz)
	47	2	1/4 - 20 Set screw

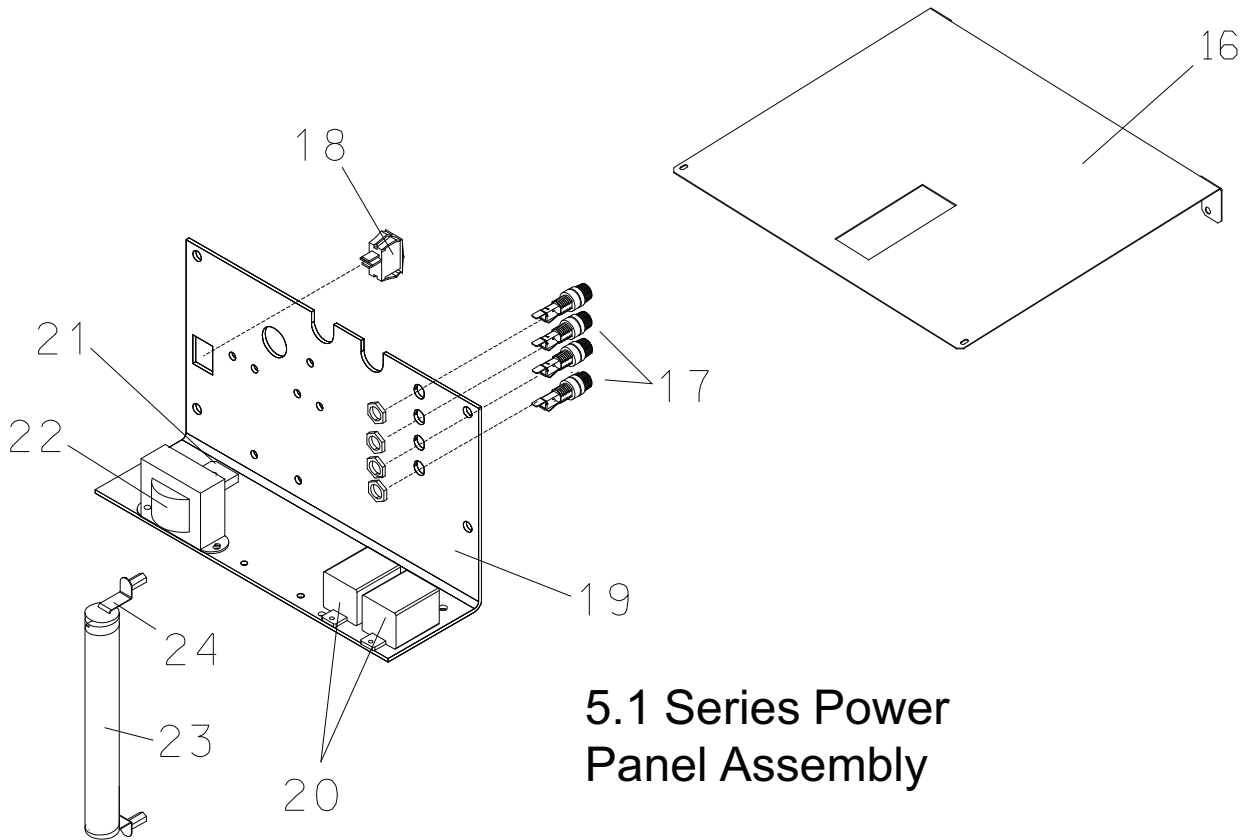
Label for Distance
gauge 112234

* NOT SHOWN

5.1 Series Display Assembly



PANZITTA SALES & SERVICE
72 George Avenue
Wilkes-Barre, PA 18705
570-822-6720 800-822-6720
www.panzittasales.com



5.1 Series Power Panel Assembly

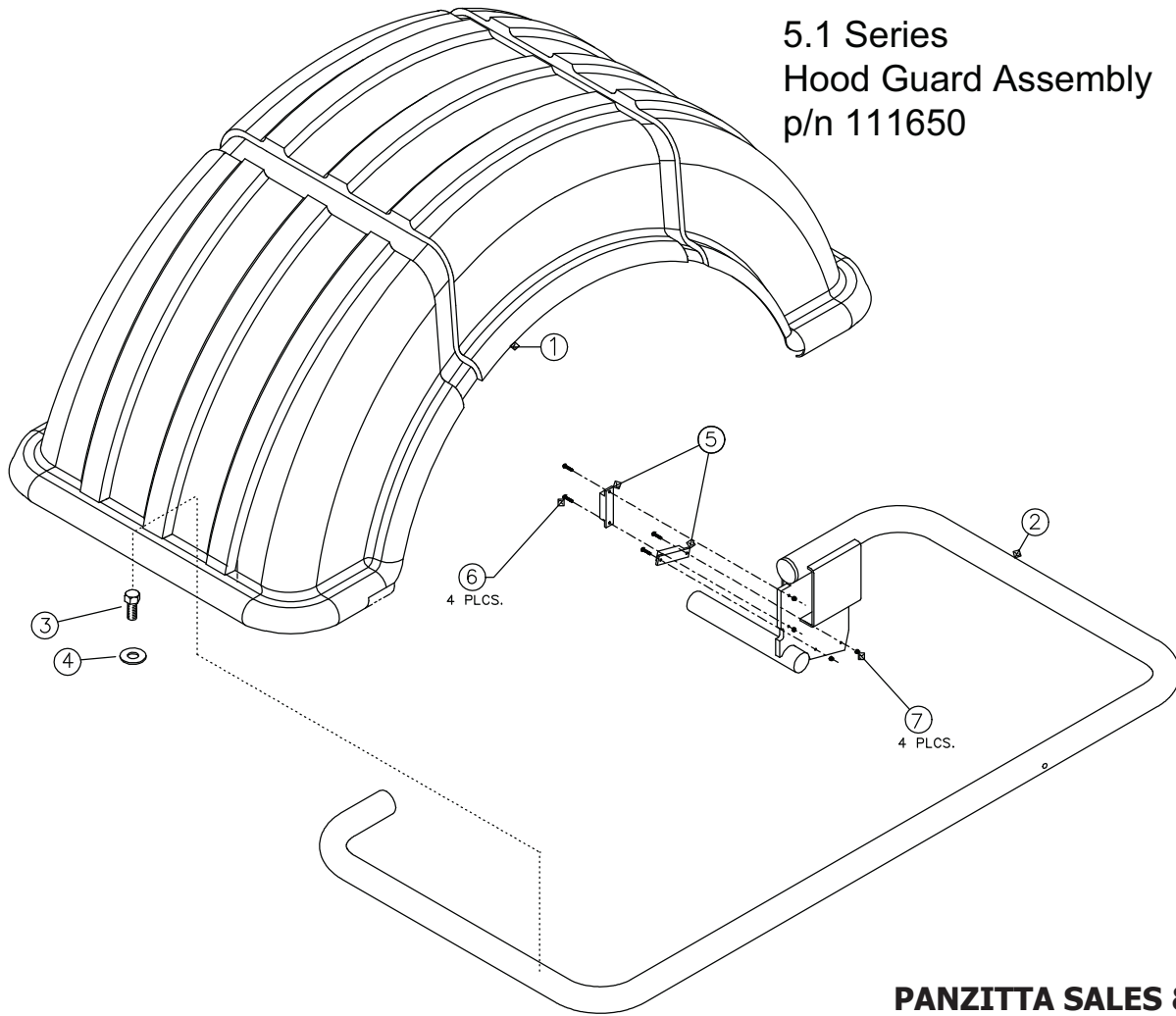
<u>Ref No</u>	<u>No.</u>	<u>Req'd</u>	<u>Description</u>
	1	1	Touch Panel
*	1		Display Decal
*	1		Computer PCB
*	8		Hex Spacer, #10-24x7/16
*	8		Hex Spacer, #10-24x .344
*	1		Display Assembly, includes items above plus item #2
2	1		Panel Mounting Plate
3	4		1/4 -20 Nut
*	4		1/4 Flat Washer
4	1		Display Hsg Mounting Plate
5	1		Display Housing
6	1		Display Mounting Bracket
7	4		1/4 - 20 Carriage Bolt
8	2		Screw, HHCS, 3/8 - 16 x 1.0
9	2		3/8 Flat Washer
10	2		3/8 - 16 ESNA Nut
11	1		Display Support Tower
12	1		Bellow Cover
13	2		Tower Clamp
14	4		5/16 - 18 x 3 HHC Screw
*	4		5/16 -18 ESNA Nut
15	1		Weight Tray
	2		1/4 - 20 X 3 1/4 SHCS
16	1		Fire Shield
17	5		Fuse Holder
*			Fuse, 1 amp slow blow
*			Fuse, 15 amp fast acting
18	1		On/Off Switch
19	1		Electrical Panel Weldment
20	2		Relay
*	1		Contact - 230 volt units
21	1		Bridge Rectifier - 115 volt
*	1		Bridge Rectifier - 230 volt
22	1		Transformer - 115 v
*	1		Transformer - 230 v
*	1		Transformer - 100 v
*	1		Transformer - 220-240 v export
23	1		Brake Resistor, 16 Ohm
24	2		Resistor Mounting Bracket
*	2		Standoff, # 10-32
*	2		#10-32x1/2 screw
*	2		#10-32x3/8 screw
*	1		Corrugated Plastic Tubing Loom, 6ft.
*	2		Connector Strain Relief
*	1		Snubber board, (230 volt units)
*	2		Magnetic Interlock Switch

* NOT SHOWN

- Switch Cover	
Wiring Harnesses	
<u>Part Number</u>	<u>Description</u>
	PCB Harness Assembly, marked "Power"
	Harness Assembly, 13" resistor/bridge
	Harness Assembly for Relay
	7" Jumper
	5" White Jumper
	5" Black Jumper
	Power Cord
	Switch Harness Assembly
	Encoder Cable, Domestic
	Encoder Cable, Export
	Interlock Switch Cable
	Jumper assembly breaker to switch

PANZITTA SALES & SERVICE
72 George Avenue
Wilkes-Barre, PA 18705
570-822-6720 800-822-6720
www.panzittasales.com

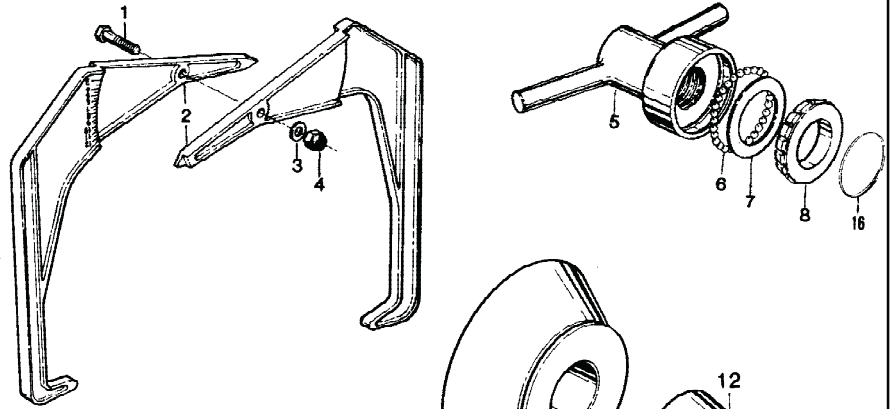
5.1 Series
Hood Guard Assembly
p/n 111650



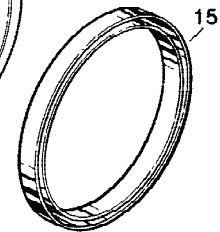
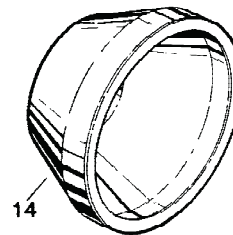
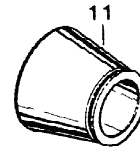
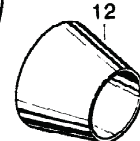
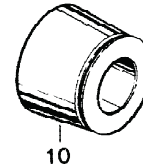
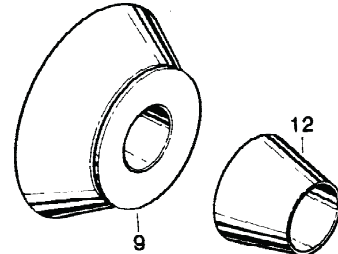
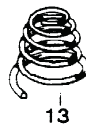
PANZITTA SALES & SERVICE
72 George Avenue
Wilkes-Barre, PA 18705
570-822-6720 800-822-6720
www.panzittasales.com

Ref No.	No Req'd	Description
1	1	Wheel Guard Cover
2	1	Wheel Guard Frame
3	8	10-24 Self Tap Screw
4	8	Washer, Black
5	2	Interlock Switch Magnet
6	4	6-32 x 5/8 Screw, RHMS
7	4	Nut, - Hex, 6-32
8	2	Warning Label

PANZITTA SALES & SERVICE
72 George Avenue
Wilkes-Barre, PA 18705
570-822-6720 800-822-6720
www.panzittasales.com



5.1 Series Standard Accessories



Ref No.	No Req'd	Description
1	1	3/16-16x1-3/4" HHC Screw
2	2	Rim Width Gauge Arm
3	1	3/8" Flat Washer
4	1	3/8-16 Light ESNA Nut
5	1	Machined Wing Nut
6	27	1/4" Dia. Steel Ball
7	1	Wing Nut Bearing Insert
8	1	Wing Nut Bearing Housing
9	1	Truck Cone
10	1	Large Cone
11	1	Small Cone
12	1	Special Small Cone
13	1	Conical Spring
14	1	Retainer Cup
15	1	Plastic Retainer Ring
16	1	Spiral Ring
*	1	Calibration Weight
*	1	FMC Accessories Literature
*	1	Operators Manual 5.1 Series Series
*	1	Wing Nut Assembly
*	1	Rim Width Gauge Assy
*	1	5/16x1-1/2" Roll Pin
*	3	Anchor Stud
*	1	Accessory Pack (Domestic)

* NOT SHOWN

"FOR REFERENCE ONLY"

Labels and Decals

PANZITTA SALES & SERVICE
72 George Avenue
Wilkes-Barre, PA 18705
570-822-6720 800-822-6720
www.panzittasales.com

