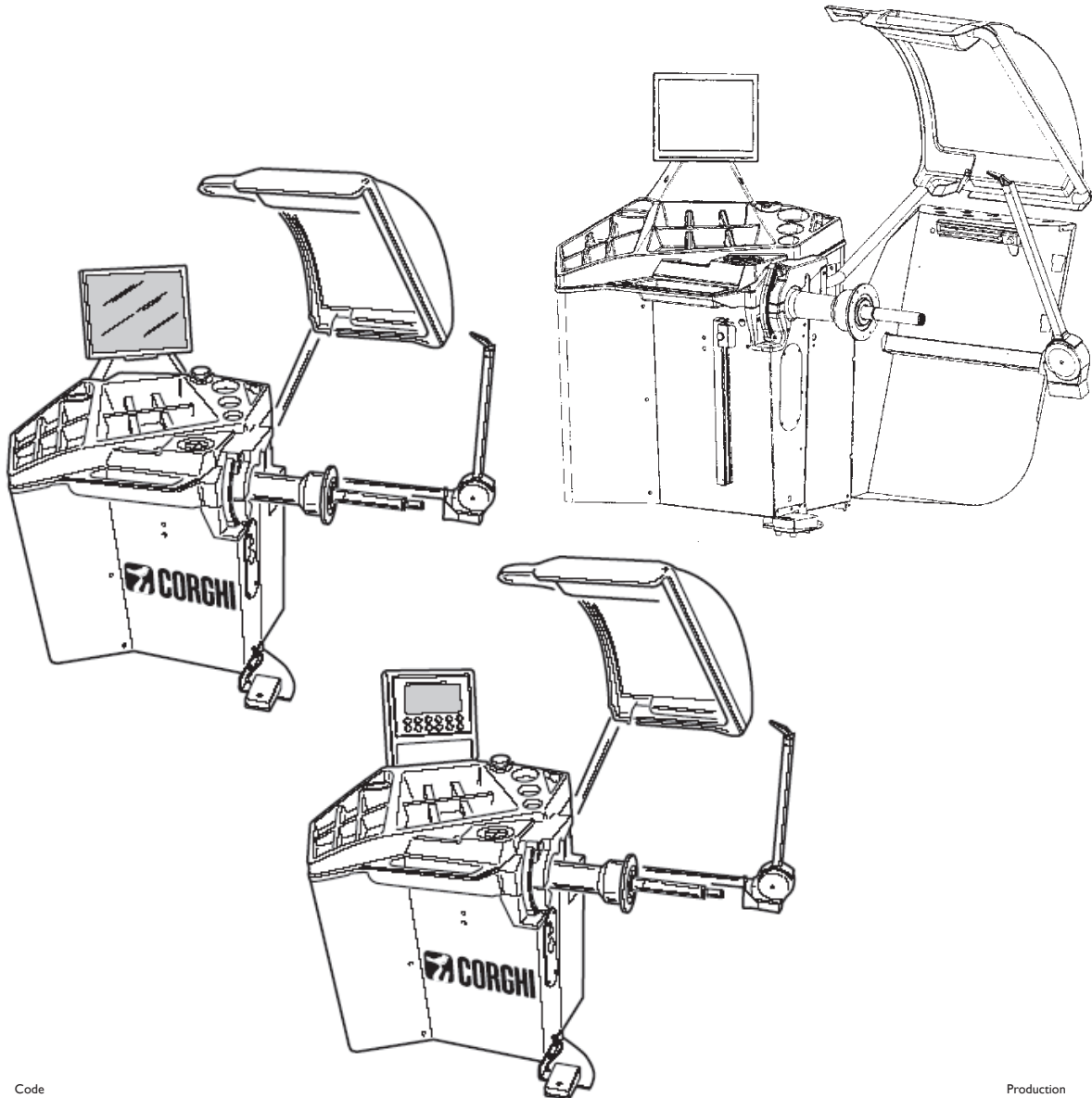


PANZITTA SALES & SERVICE
72 George Avenue
Wilkes-Barre, PA 18705
570-822-6720 800-822-6720
www.panzittasales.com

EM 7450 - EM 7480 EM 7480 RLR

The "Spare parts" booklet does not authorize the user to carry out work on the machine unless expressly specified in the instruction manual, but does enable him to provide accurate information to the assistance service in order to reduce downtime.

PEZZI DI RICAMBIO SPARE PARTS LIST ERSATZTEILLISTE PIECES DE RECHANGE



Code

4-109376A

Production

09 / 10

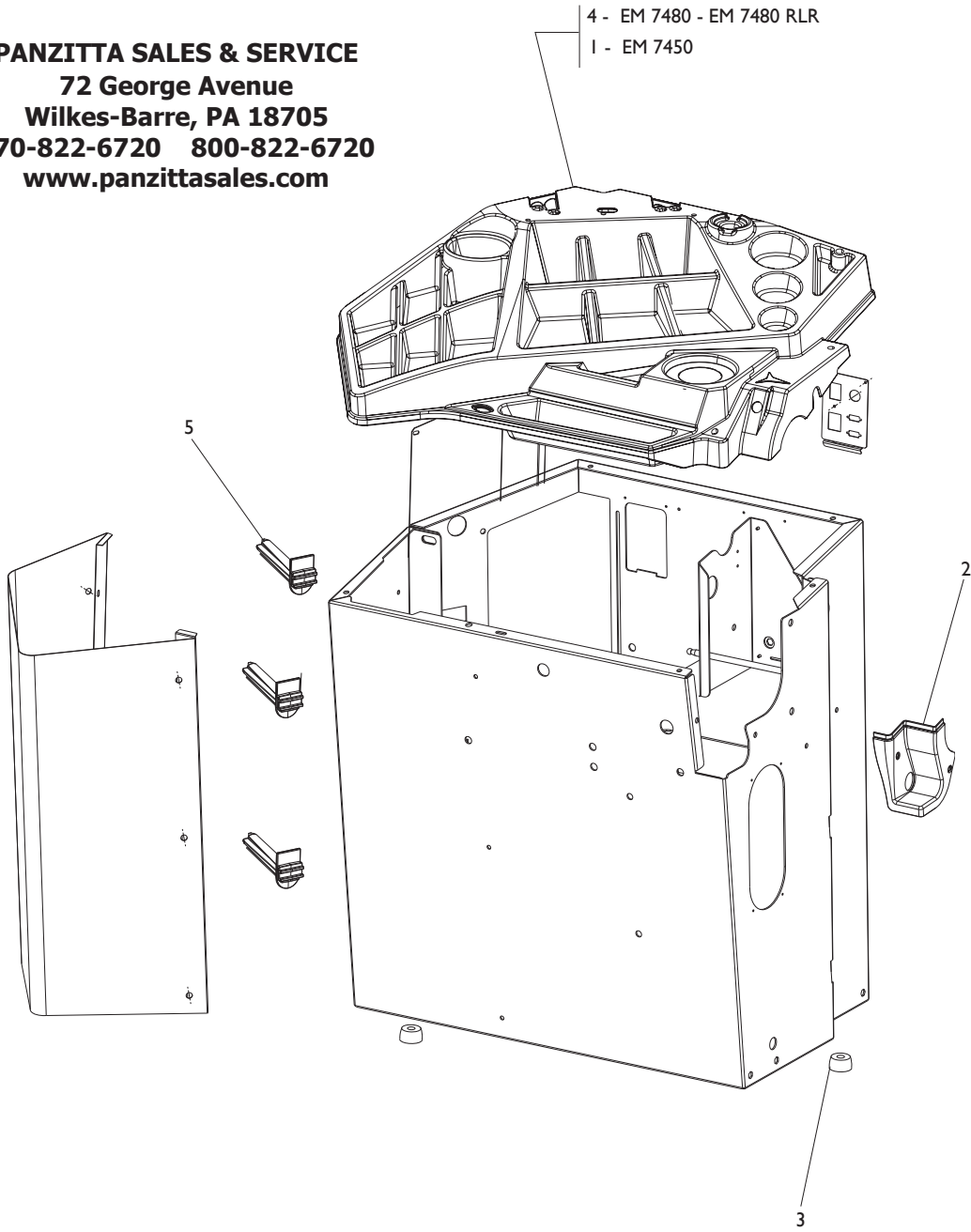
Der Katalog Ersatzteile stellt keine Genehmigung zu eigenmächtigen Eingriffen dar (mit Ausnahme jener im Handbuch beschriebenen), sondern er soll den Anwender in die Lage versetzen, dem technischen Service präzise Informationen zu liefern, um die Reparaturzeiten zu verkürzen.



Le livret "Pièces de rechange", n'autorise pas l'utilisateur à intervenir sur les machines, sauf pour tout ce qui est clairement décrit dans le manuel d'utilisation, mais lui permet de fournir des informations précises à l'assistance technique, afin de diminuer les délais d'intervention.

PANZITTA SALES & SERVICE
72 George Avenue
Wilkes-Barre, PA 18705
570-822-6720 800-822-6720
www.panzittasales.com

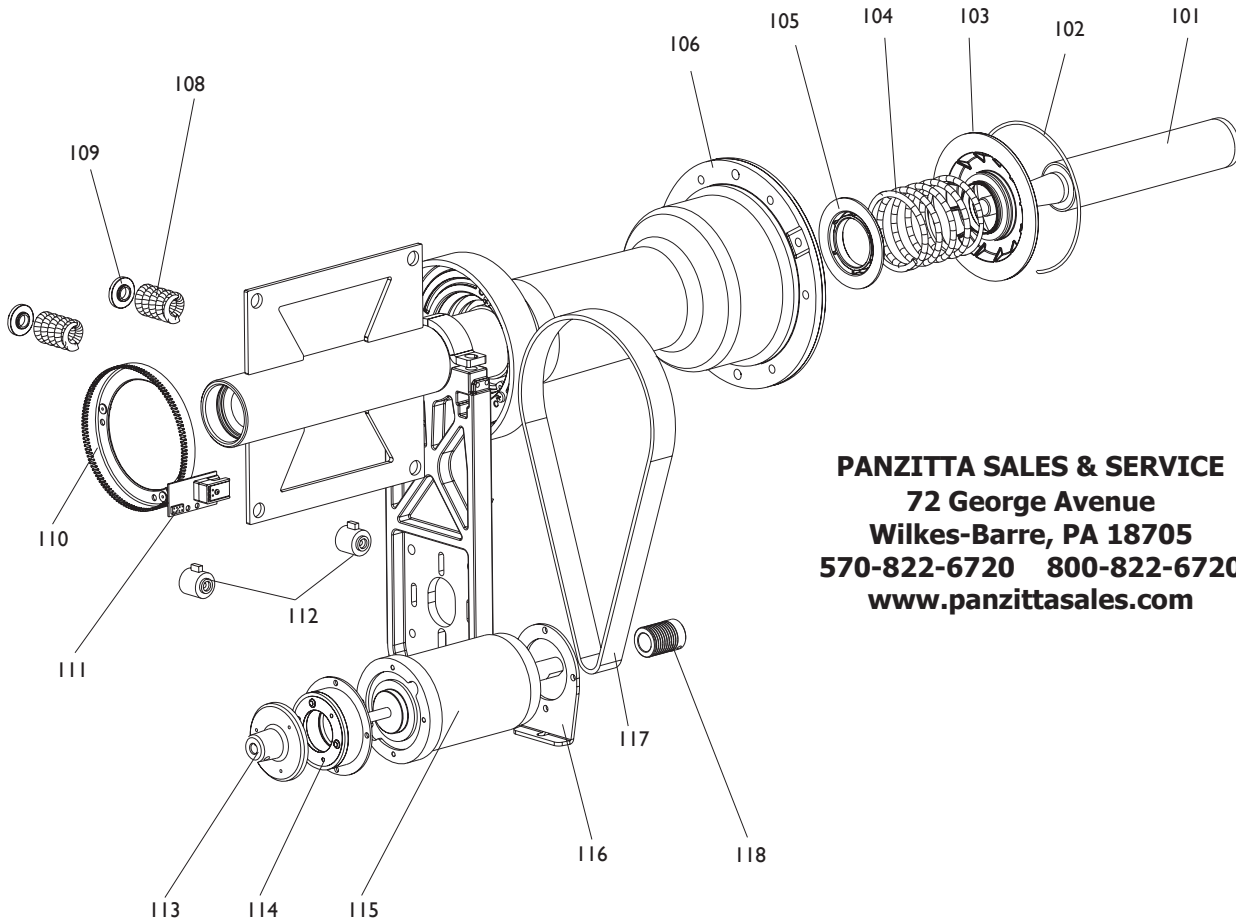
4 - EM 7480 - EM 7480 RLR
1 - EM 7450



	EM 7480 - EM 7480 RLR EM 7450	Cassone	TAV.A - 12 / 09
---	----------------------------------	---------	-----------------

0001	4-105566	COPERCHIO	LID	DECKEL	COUVERCLE
0002	4-105816	CHIUSURA	CLOSING	VERSCHLUSS	FERMETURE
0003	460029	PIEDE	FOOT	FUSS	PIED
0004	4-105565	COPERCHIO	LID	DECKEL	COUVERCLE
0005	438319	SUPPORTO	SUPPORT	LAGER	SUPPORT

PANZITTA SALES & SERVICE
72 George Avenue
Wilkes-Barre, PA 18705
570-822-6720 800-822-6720
www.panzittasales.com



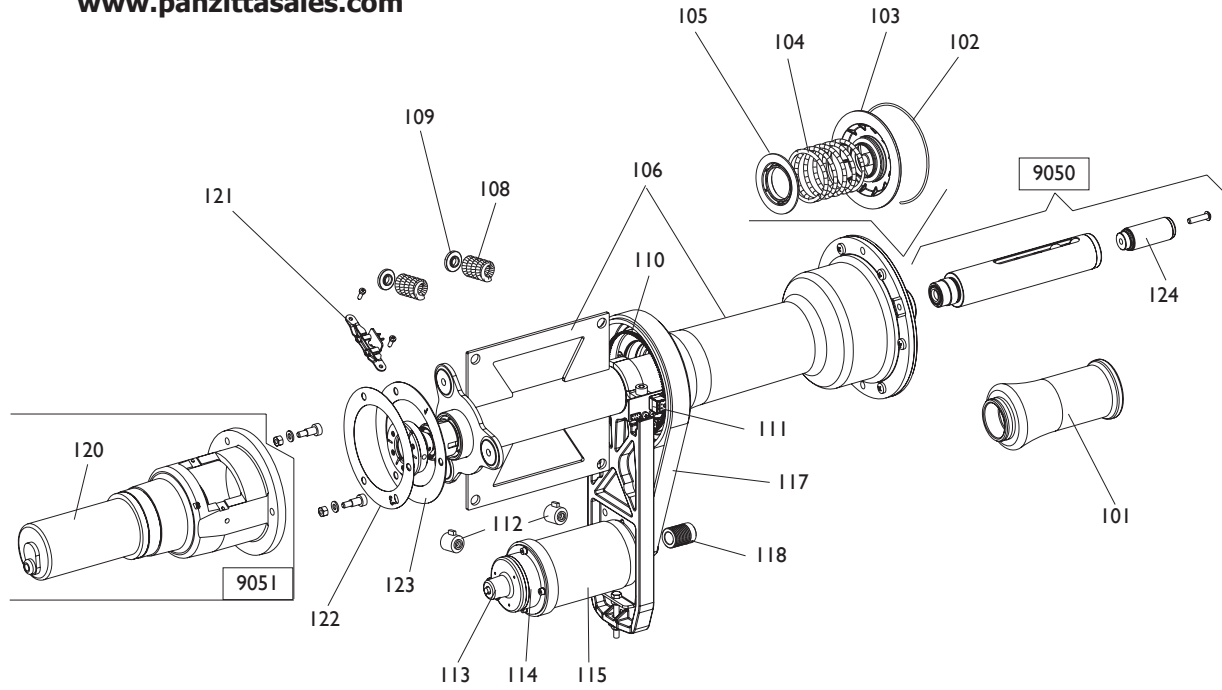
PANZITTA SALES & SERVICE
72 George Avenue
Wilkes-Barre, PA 18705
570-822-6720 800-822-6720
www.panzittasales.com

	EM 7480 - EM 7480 RLR EM 7450	Gruppo oscillante	TAV. B - 09 / 10
---	----------------------------------	-------------------	------------------

0101	5-101514	MOZZO	HUB
0102	4-101740	ANELLO	RING
0103	4-104590	DISCO	DISK
0104	4-104588	MOLLA	SPRING
0105	4-104589	DISCO	DISK
0106	5-103258	GRUPPO	ASSEMBLY
0108	4-104652	MOLLA	SPRING
0109	4-104650	BOCCOLA	BUSHING
0110	5-102161	DISCO	DISK
0111	5-101447	SCHEDA ENCODER	ENCODER
0112	5-102760	PICK-UP	PICK-UP
0113	4-104596	MOZZO	HUB
0114	4-104594	FRENO	BRAKE
0115	5-103007	MOTORE CC+PULEG	MOTOR
0116	4-104598	FLANGIA	FLANGE
0117	3-01750	CINGHIA	BELT
0118	4-104599	PULEGGIA	PULLEY

PANZITTA SALES & SERVICE
72 George Avenue
Wilkes-Barre, PA 18705
570-822-6720 800-822-6720
www.panzittasales.com

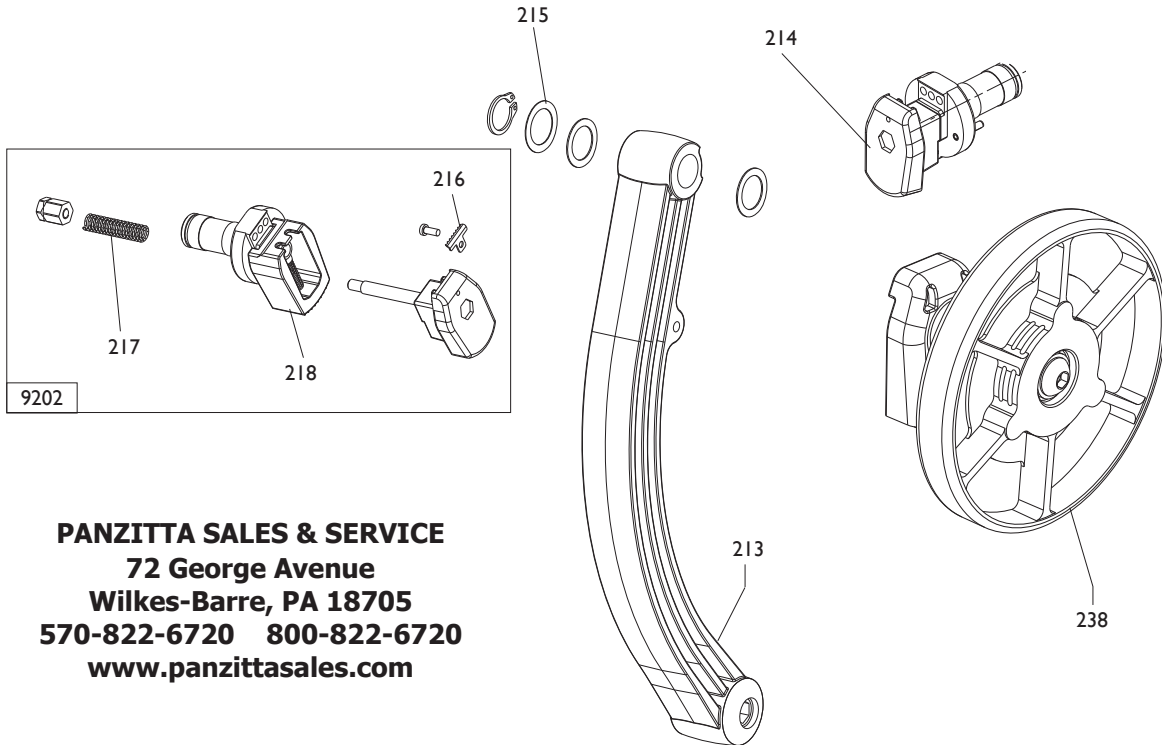
PANZITTA SALES & SERVICE
72 George Avenue
Wilkes-Barre, PA 18705
570-822-6720 800-822-6720
www.panzittasales.com



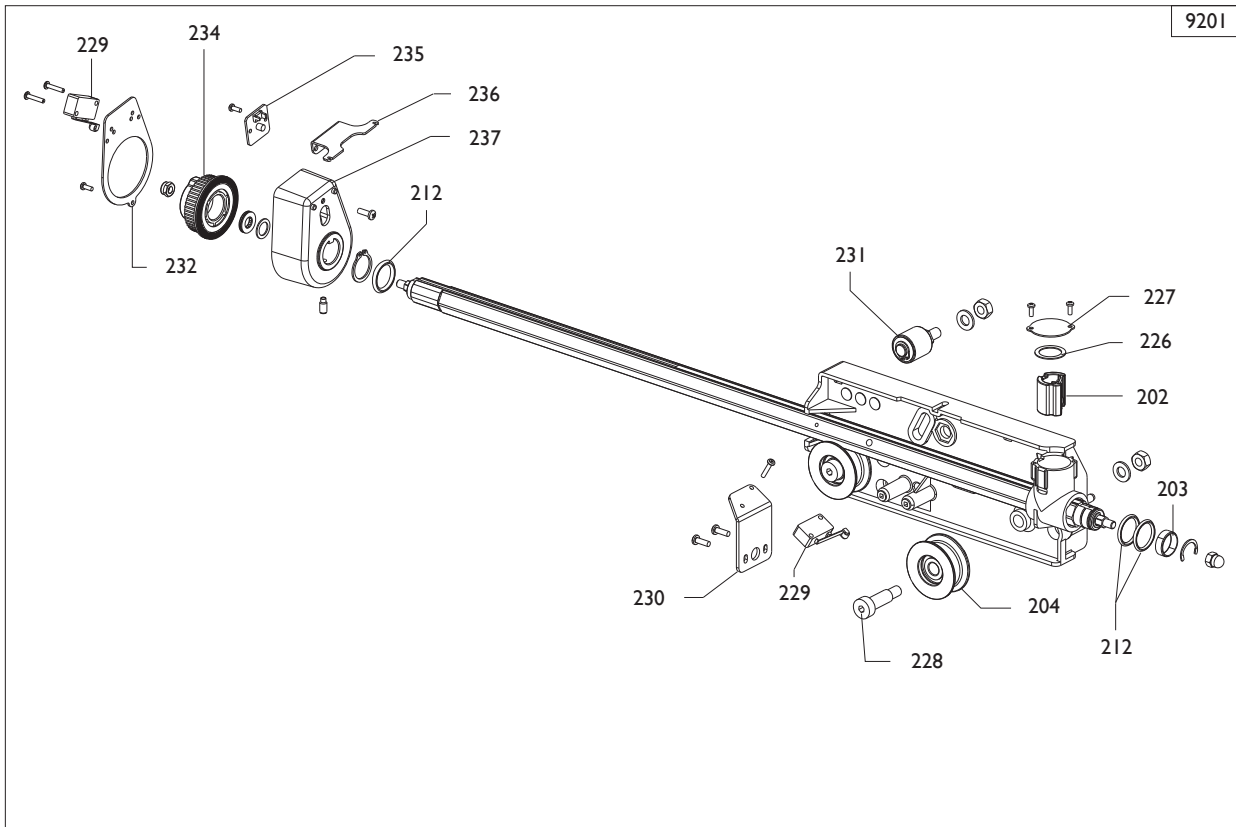
	EM 7480 - EM 7480 RLR EM 7450	Gruppo oscillante ELS	TAV. BI - 09 / 10
---	----------------------------------	-----------------------	-------------------

9050	5-101504	MOZZO	PIN
0124	4-105349	PROTEZIONE	PROTECTION
9051	5-103271	MOTORIDUTTORE CPL	CPL. GEAR BOX
0120	4-105403	MOTORIDUTTORE	GEAR BOX
0101	4-105397	MANICOTTO	MUFF
0102	4-101740	ANELLO	RING
0103	4-104590	DISCO	DISK
0104	4-104588	MOLLA	SPRING
0105	4-104589	DISCO	DISK
0106	5-103017	GRUPPO	ASSEMBLY
0108	4-104652	MOLLA	SPRING
0109	4-104650	BOCCOLA	BUSHING
0110	5-102161	DISCO	DISK
0111	5-101447	SCHEDA ENCODER	ENCODER
0112	5-102760	PICK-UP	PICK-UP
0113	4-104596	MOZZO	HUB
0114	4-104594	FRENO	BRAKE
0115	5-103007	MOTORE CC+PULEG.	MOTOR
0117	3-01750	CINGHIA	BELT
0118	4-104599	PULEGGIA	PULLEY
0121	5-101537	SK.ENCODER REFLEX	P.C. BOARD
0122	4-105937	SPESSORE 0.3 MM	TICKNESS
0123	4-105936	SPESSORE 1 MM	TICKNESS

PANZITTA SALES & SERVICE
72 George Avenue
Wilkes-Barre, PA 18705
570-822-6720 800-822-6720
www.panzittasales.com



PANZITTA SALES & SERVICE
72 George Avenue
Wilkes-Barre, PA 18705
570-822-6720 800-822-6720
www.panzittasales.com





EM 7480 - EM 7480 RLR
EM 7450

Tastatore

TAV.C - 12 / 09

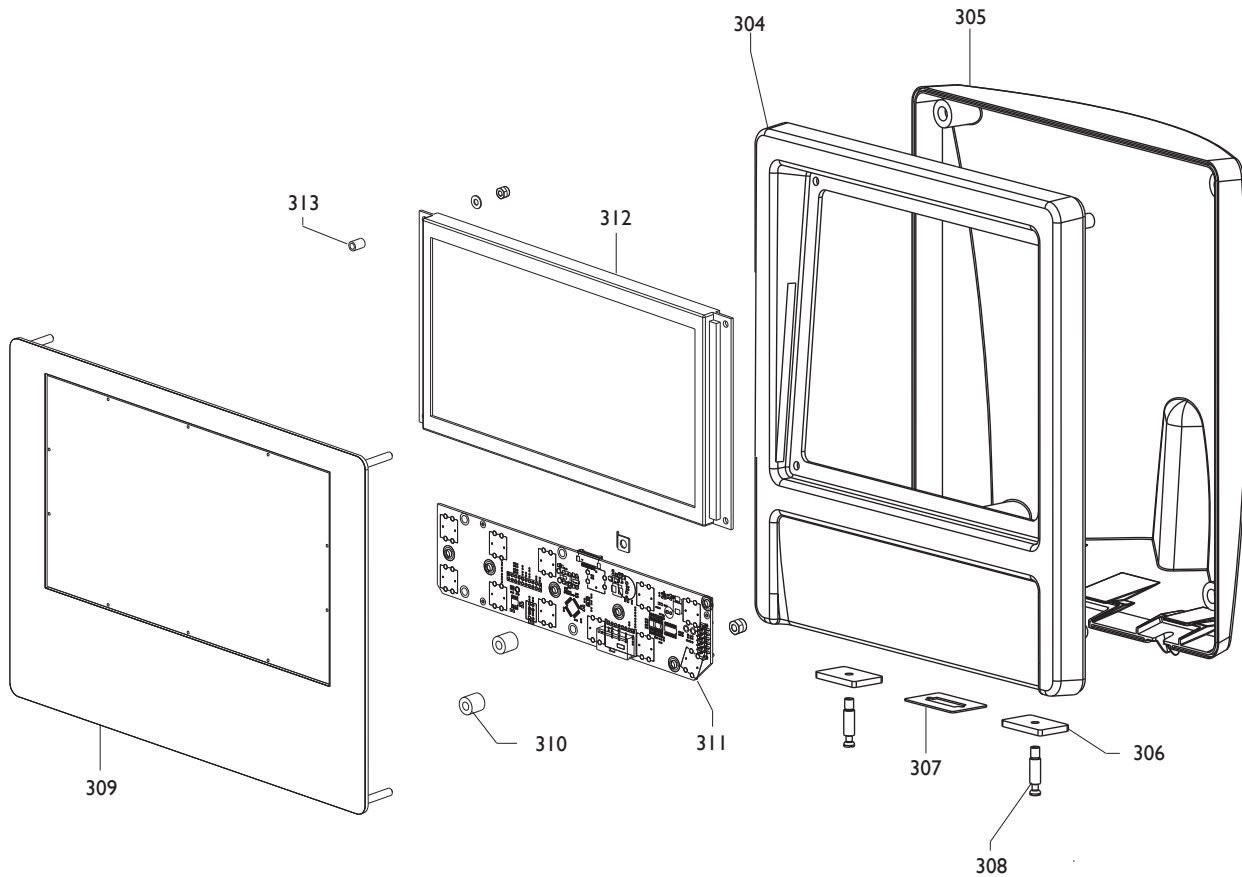
PANZITTA SALES & SERVICE
72 George Avenue
Wilkes-Barre, PA 18705
570-822-6720 800-822-6720
www.panzittasales.com

9201	5-103260	TASTATORE	FEELER PIN
0202	5-100414	SCHEDA SENSORE	P.C. BOARD.
0203	4-104485	BOCCOLA	BUSHING
0204	4-104525	RULLO INFERIORE	ROLLER
0212	441728	GUARNIZIONE	SEAL
0226	412246	ANELLO ELASTICO	RING
0227	4-101269	COPERCHIO	LID
0228	2-03396	VITE M8	SCREW
0229	440874	MICRO	SWITCH
0230	4-109563	LAMIERA SUPP.MICRO	PLATE
0231	5-103502	RULLO SUPERIORE	ROLLER
0232	4-109564	LAMIERA CHIUS.ENCODER	PLATE
0234	5-103470	PULEGGIA	PULLEY
0235	5-103501	SCHEDA ENCODER	ENCODER BOARD
0236	4-109566	LAMIERA ATT.MOLLA	PLATE
0237	4-109567	SUPPORTO SCHEDA	BOARD SUPPORT

9202	5-101462	TERMINALE	TERMINAL
0216	4-101272	LAMIERA	METAL SHEET
0217	408835	MOLLA	SPRING
0218	449342	PULSANTE	BUTTON

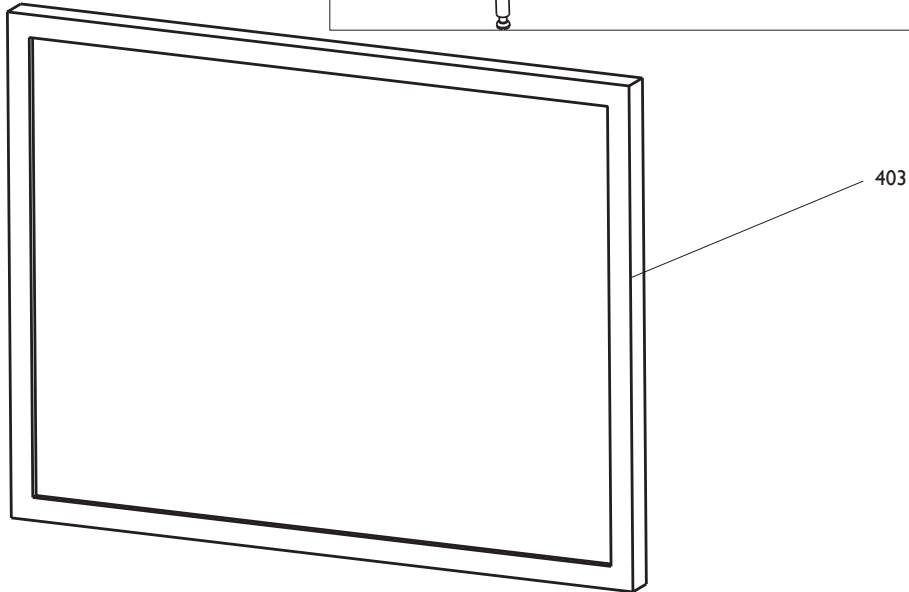
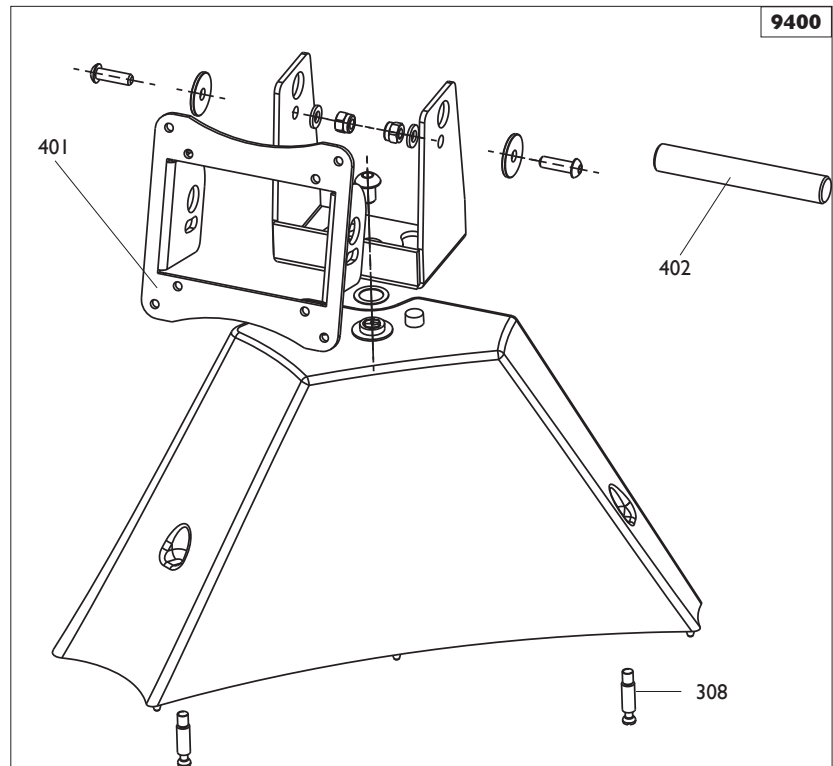
0213	4-104473	LEVA	LEVER
0214	5-102232	TERMINALE no clip	TERMINAL
0215	450073	ANELLO	RING
0238	5-102200	ROTELLA	WHELL

PANZITTA SALES & SERVICE
72 George Avenue
Wilkes-Barre, PA 18705
570-822-6720 800-822-6720
www.panzittasales.com



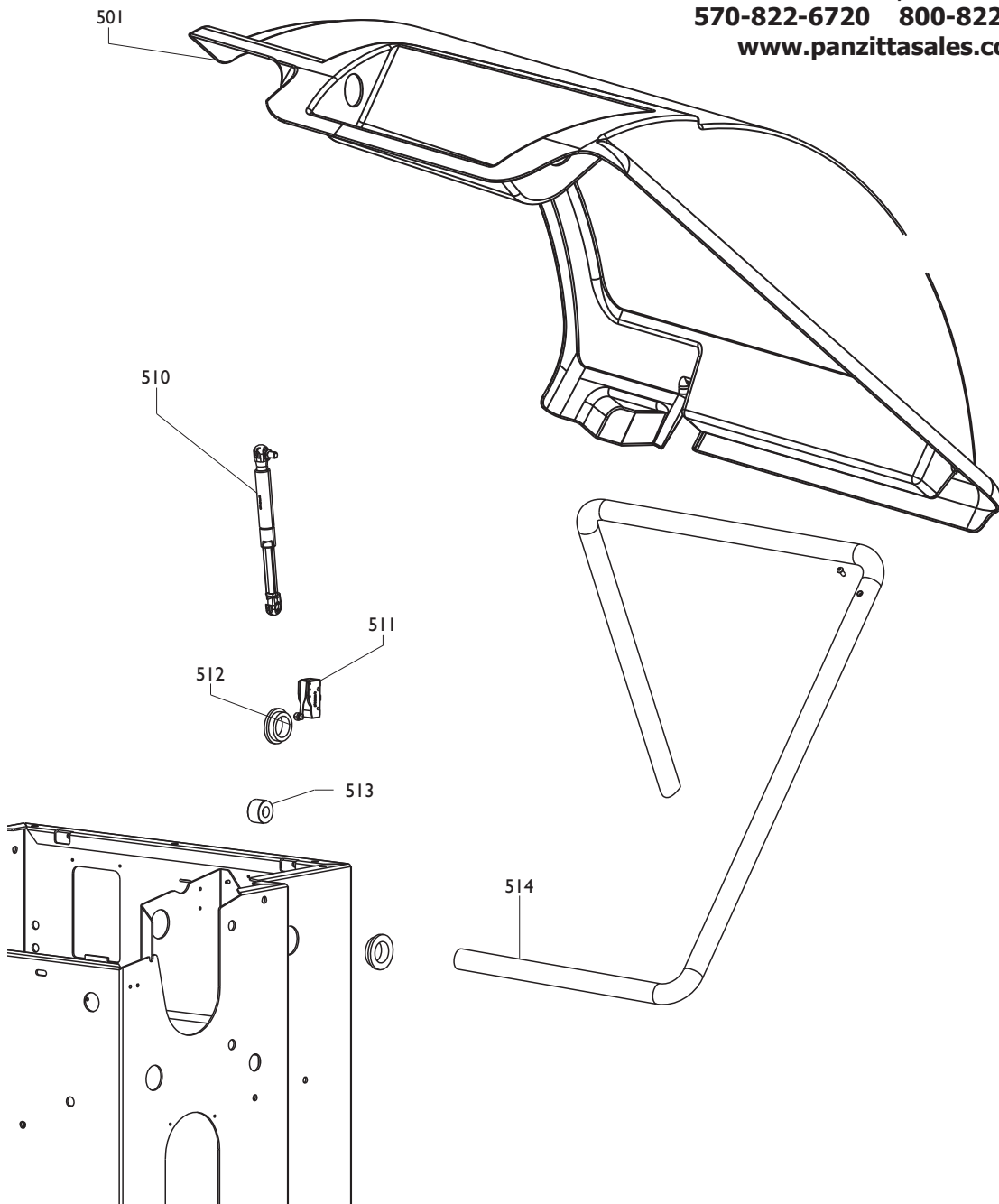
0304	4-105561	SUPPORTO ANT.	SUPPORT
0305	4-105562	SUPPORTO POST.	SUPPORT
0306	4-105799	PIASTRINA	PLATE
0307	4-105831	SUPPORTO	SUPPORT
0308	4-105800	PERNO	PIN
0309	5-103503	PANNELLO VISORE	PANNEL
0310	438996	DISTANZIALI	SPACER
0311	5-103504	SCHEDA INTERFACCIA	P.C.BOARD
0312	4-104694	SCHEDA VISUALIZZAZIONE	P.C.BOARD
0313	33021053	DISTANZIALE	SPACER

PANZITTA SALES & SERVICE
 72 George Avenue
 Wilkes-Barre, PA 18705
 570-822-6720 800-822-6720
www.panzittasales.com



9400	5-101895	SUPPORTO	SUPPORT
0401	4-104381	FLANGIA	FLANGE
0402	4-104380	PERNO	PIN
0308	4-105800	PERNO	PIN
0403	4-103594	MONITOR 17"	MONITOR 17"
0403	3-01952	MONITOR 19"	MONITOR 19"

PANZITTA SALES & SERVICE
72 George Avenue
Wilkes-Barre, PA 18705
570-822-6720 800-822-6720
www.panzittasales.com

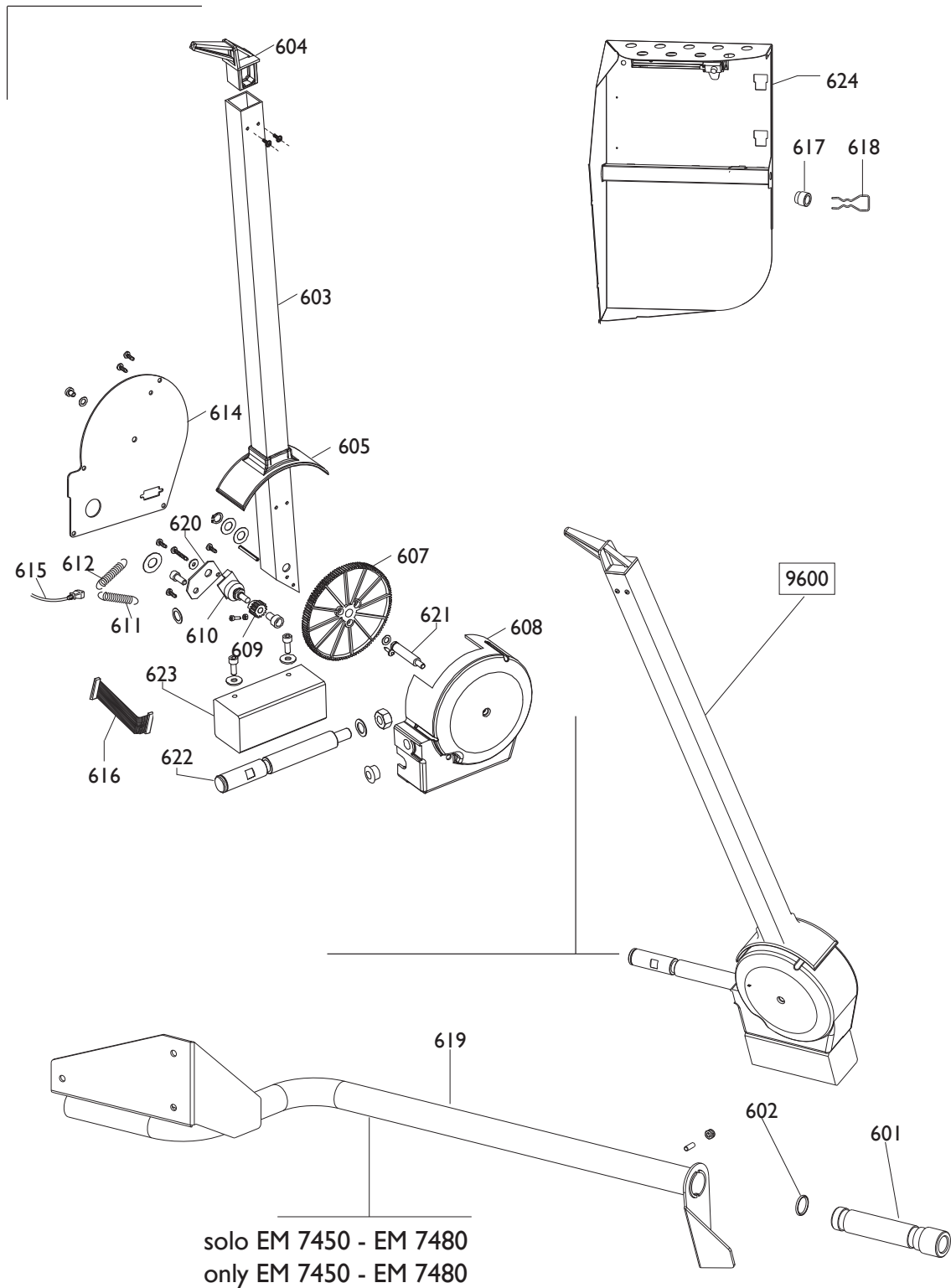


	EM 7480 - EM 7480 RLR EM 7450	Protezione	TAV. F - 12A / 09
---	----------------------------------	------------	-------------------

PANZITTA SALES & SERVICE
72 George Avenue
Wilkes-Barre, PA 18705
570-822-6720 800-822-6720
www.panzittasales.com

0501	4-105459	PROTEZIONE	SHIELD
0510	4-109117	MOLLA GAS	SPRING
0511	4-109005	MICRO	MICRO
0512	433637	BOCCOLA	BUSHING
0513	383372	FERMO SCORR.	PLATE
0514	5-102922	TUBO	SUPPORT

solo EM 7480 RLR
only EM 7480 RLR



solo EM 7450 - EM 7480
only EM 7450 - EM 7480



EM 7480 - EM 7480 RLR
EM 7450

Rilevatore esterno

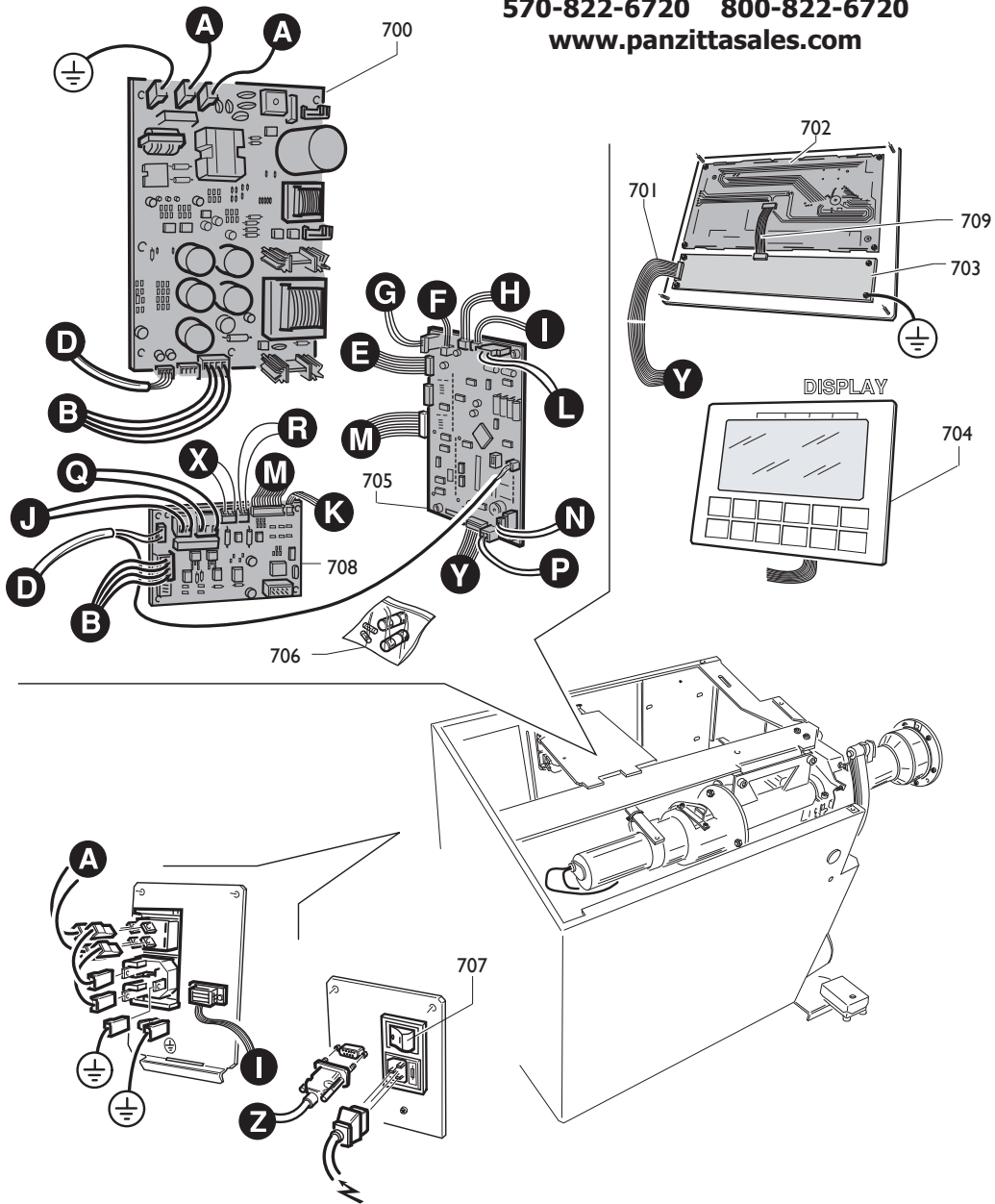
TAV. G - 12A / 09

PANZITTA SALES & SERVICE
72 George Avenue
Wilkes-Barre, PA 18705
570-822-6720 800-822-6720
www.panzittasales.com

0601	4-104994	BOCCOLA	BUSHING
0602	421590	GUARNIZIONE	SEAL
0617	460109	BOCCOLA	BUSHING
0618	4-103061	MOLLA A GANCI	SPRING
0619	4-104813	SUPPORTO TASTATORE	SUPPORT

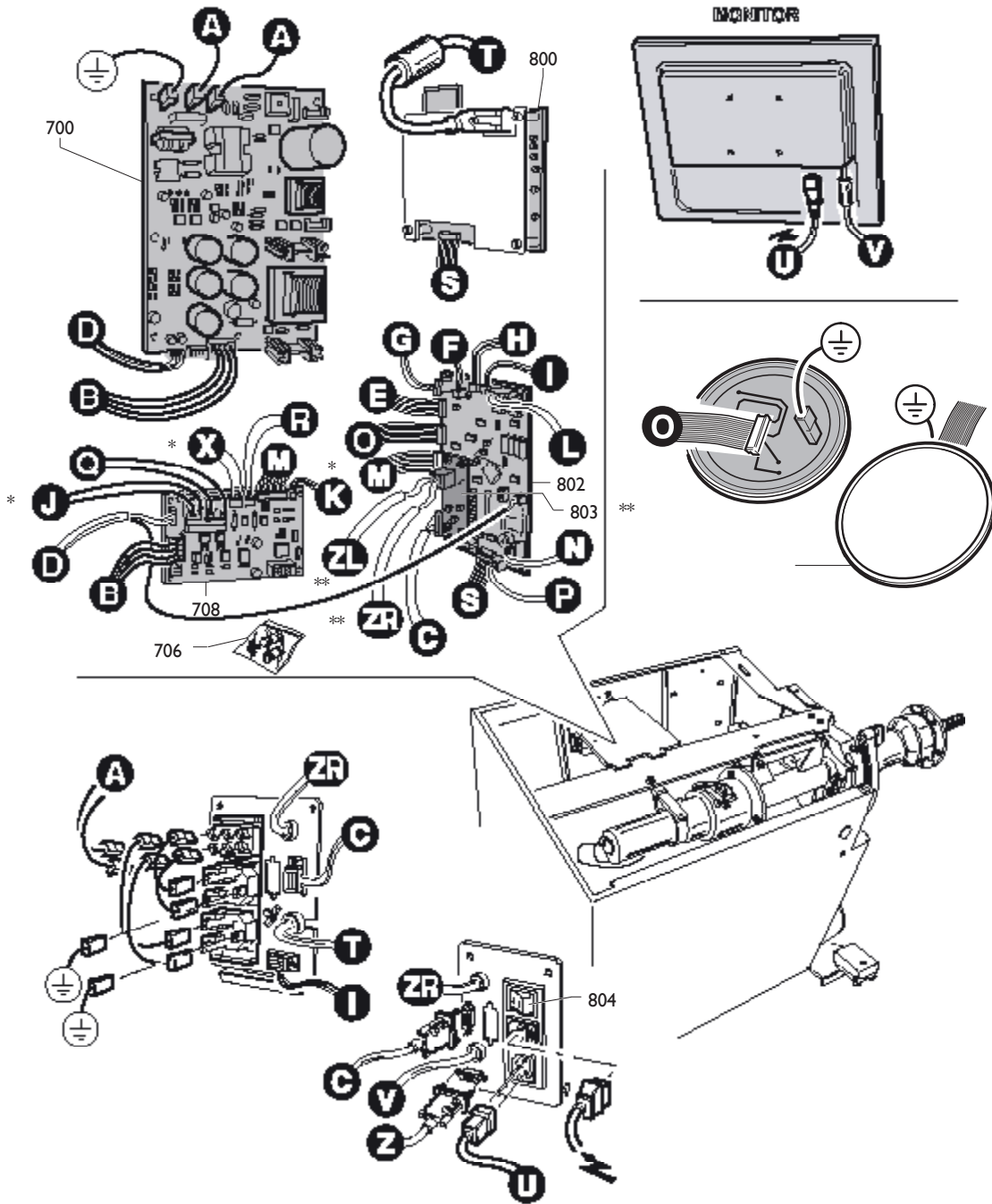
9600	257670	RILEVATORE	SIGNAL TRACER	AUFNEHMER	MESUREUR
0603	353559	BRACCIO	ARM	ARM	BRAS
0604	453572	TASTATORE	FEELER PIN	FUEHLER	PALPEUR
0605	454458	PROTEZIONE	SHIELD	ABDECKUNG	PROTECTION
0607	453579	INGRANAGGIO	GEAR	ZAHNRADGETRIEBE	ENGRENAGE
0608	454457	CORPO	BODY	KOERPER	CORPS
0609	449326	PIGNONE	PINION	RITZEL	PIGNON
0610	5-101455	POTENZIOMETRO	POTENTIOMETER	POTENTIOMETER	POTENTIOMETRE
0611	455120	MOLLA	SPRING	FEDER	RESSORT
0612	454239	MOLLA	SPRING	FEDER	RESSORT
0614	4-106072	COPERCHIO	LID	DECKEL	COUVERCLE
0615	4-106012	CONN.A VASCHETTA L.2000		CABLE L.2000	
0616	4-106036	CAVO FLAT L.100	FLAT CABLE L.100	KABEL	CABLE
0620	353573	LAMIERA POTENZIOMETRO			PROTECTION
0621	353574	PERNO FULCRO BRACCIO			PIN
0622	353575	PERNO ROTAZIONE			PIN
0623	353577	CONTRAPPESO			POIND
0624	4-109024	SUPPORTO BOCCOLE			SUPPORT

PANZITTA SALES & SERVICE
72 George Avenue
Wilkes-Barre, PA 18705
570-822-6720 800-822-6720
www.panzittasales.com



PANZITTA SALES & SERVICE
72 George Avenue
Wilkes-Barre, PA 18705
570-822-6720 800-822-6720
www.panzittasales.com

0700	5-102761	SCH. ALIMENTAZIONE	P.C. BOARD
0701	4-106053	FLAT 12VIE L.300	CABLE
0702	4-104694	SCHEDA VISUALIZZAZIONE	P.C.BOARD
0703	5-103504	SCHEDA INTERFACCIA	P.C. BOARD
0704	5-103644	PANNELLO VISORE	PANNEL
0705	5-103641	SCHEDA CPU	P.C. BOARD
0706	5-102043	SACCH.3 FUSIBILI 8AT	FUSES
0707	3-01940	INTERRUTTORE	SWITCH
0708	5-102685	SCHEDA CONTROLLO MOTORI (MCM)	P.C.BOARD
0709	4-104698	CAVO FLAT 10VIE L.70	FLAT
B	4-105030	CAVO COLL.SCHEDA MCM/ALIM.	CABLE
D	4-111346	CAVO ALIMENT.SCHEDA MCM/CPU	CABLE
E	454754	CAVO FLAT 8 VIE L.850	CABLE
F	4-105572	CAVO FLAT 8 VIE L.800	CABLE
G	4-109503	CAVO DOPPIO COLL.MICRO	CABLE
H	4-105571	FLAT 4VIE L.800	CABLE
I	455181	CAVO FLAT 3 POLI	CABLE
L	5-102760	PICK-UP	PICK-UP
M	4-109502	FLAT 18VIE L.250	FLAT
N	4-109501	CAVO 2POLI L.700	CABLE
P	4-105978	CAVO 2 POLI L.2000	CABLE
Q	5-103007	MOTORE+PULEGGIA	MOTOR+PULLEY
R	4-104594	FRENO	BRAKE
K	4-102558	FLAT 4 VIE L.800	FLAT
J	4-105403	MOTORIDUTTORE	REARBOX
X	4-105133	FRIZIONE	CLUTCH
Y	4-105869	FLAT 12VIE L.800	FLAT
Z	4-106012	CAVO PROLUNGA VASCHETTA L.2000	CABLE



PANZITTA SALES & SERVICE
 72 George Avenue
 Wilkes-Barre, PA 18705
 570-822-6720 800-822-6720
 www.panzittasales.com

* Solo versione ELS
 * Only version ELS

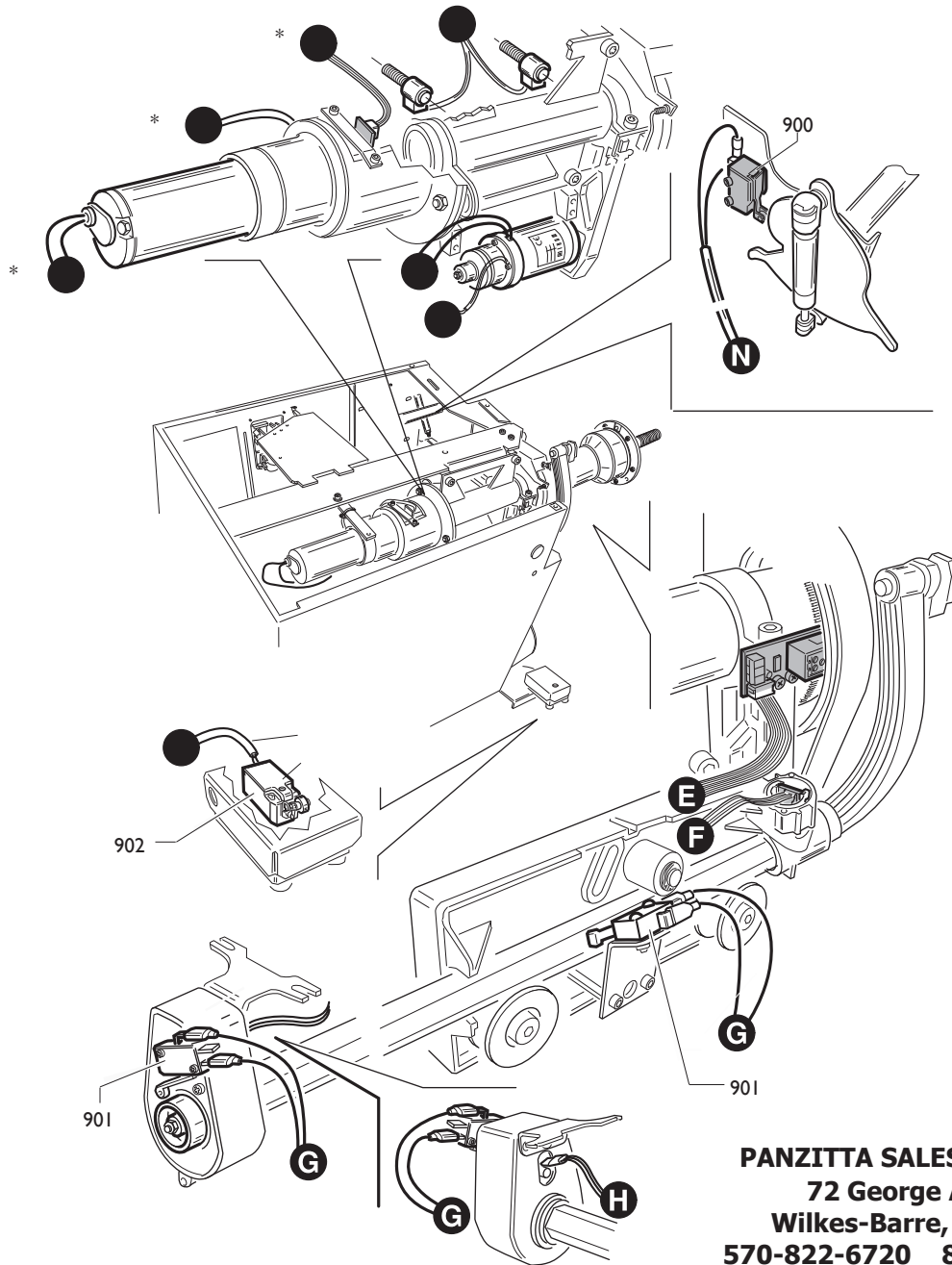
** Solo versione EM 7480 RLR
 ** Only version EM 7480 RLR

0700	5-102761	SCH. ALIMENTAZIONE	P.C. BOARD
0706	5-102043	SACCH.3 FUSIBILI 8AT	FUSES
0708	5-102685	SK CONTROLLO MOTORI (MCM)	P.C. BOARD
0800	5-103507	SCHEDA GRAFICA	P.C.BOARD
0801	5-103266	TASTIERA	KEYBOARD
0802	5-103642	SCHEDA CPU	P.C.BOARD
**0803	4-103804	SCHEDA SONAR	P.C.PBOARD
0804	3-01941	INTERRUTTORE	SWITCH
B	4-105030	CAVO COLL.SK MCM/ALIM.	CABLE
C	4-105374	CAVO COLL.STAMPANTE	CABLE
D	4-111346	CAVO ALIM.SK MCM/CPU	CABLE
E	454754	CAVO FLAT 8 VIE L.850	CABLE
F	4-105572	CAVO FLAT 8 VIE L.800	CABLE
G	4-109503	CAVO DOPPIO COLL.MICRO	CABLE
H	4-105571	FLAT 4VIE L.800	CABLE
I	455181	CAVO FLAT 3 POLI	CABLE
L	5-102760	PICK-UP	PICK-UP
M	4-109502	FLAT 18VIE L.250	FLAT
N	4-109501	CAVO 2POLI L.700	CABLE
O	4-104684	CAVO FLAT 16VIE L.900	CABLE
P	4-105978	CAVO 2 POLI L.2000	CABLE
Q	5-103007	MOTORE+PULEGGIA	MOTOR+PULLEY
R	4-104594	FRENO	BRAKE
S	4-109500	FLAT 12VIE L.250	FLAT
T	4-106133	CAVO PROLUNGA VASCHETTAL.1800	CABLE
V	4-106133	CAVO PROLUNGA VASCHETTAL.1800	CABLE
**ZL - ZR	5-102227	CAVO SONAR	CABLE
*K	4-102558	FLAT 4 VIE L.800	FLAT
*J	4-105403	MOTORIDUTTORE	REARBOX
*X	4-105133	FRIZIONE	CLUTCH
U	3-01942	CAVO COLL.MONITOR	CABLE
Z	4-106012	CAVO PROLUNGA VASCHETTA L.2000	CABLE

* Solo versione ELS
* Only version ELS

** Solo versione EM 7480 RLR
** Only version EM 7480 RLR

PANZITTA SALES & SERVICE
72 George Avenue
Wilkes-Barre, PA 18705
570-822-6720 800-822-6720
www.panzittasales.com



* Solo versione ELS
* Only version ELS

PANZITTA SALES & SERVICE
72 George Avenue
Wilkes-Barre, PA 18705
570-822-6720 800-822-6720
www.panzittasales.com



EM 7480 - EM 7480 RLR
EM 7450

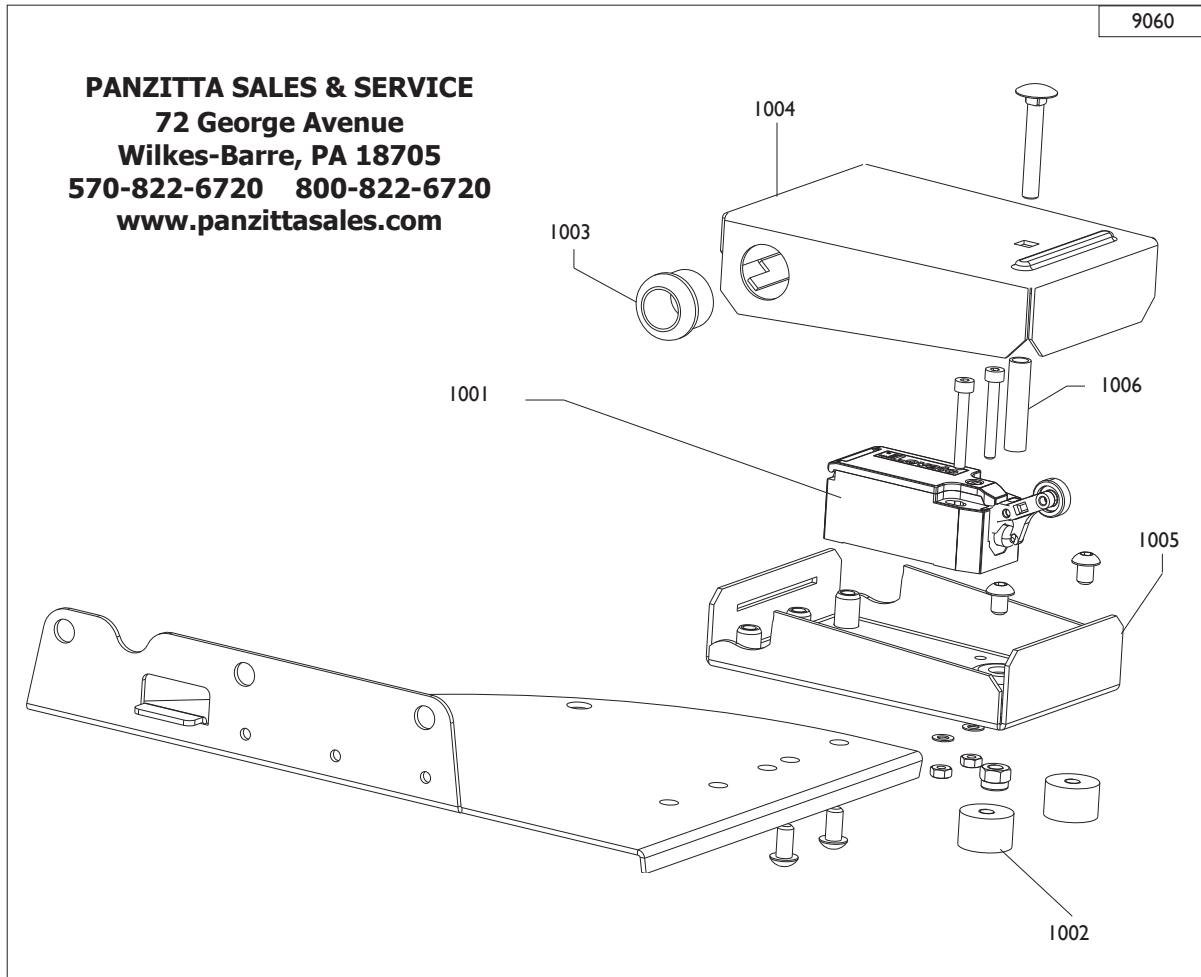
Impianto elettrico

TAV. L - 09 / 10

PANZITTA SALES & SERVICE
72 George Avenue
Wilkes-Barre, PA 18705
570-822-6720 800-822-6720
www.panzittasales.com

0900	4-109005	MICRO	SWITCH
0901	440874	MICRO	SWITCH
0902	4-105962	MICRO	SWITCH
E	454754	CAVO FLAT 8 VIE L.850	CABLE
F	4-105572	CAVO FLAT 8 VIE L.800	CABLE
G	4-109503	CAVO DOPPIO COLL.MICRO	CABLE
H	4-105571	FLAT 4VIE L.800	CABLE
L	5-102760	PICK-UP	PICK-UP
N	4-109501	CAVO 2POLI L.700	CABLE
P	4-105978	CAVO 2 POLI L.2000	CABLE
Q	5-103007	MOTORE+PULEGGIA	MOTOR+PULLEY
R	4-104594	FRENO	BRAKE
*K	4-102558	FLAT 4 VIE L.800	FLAT
*J	4-105403	MOTORIDUTTORE	REARBOX
*X	4-105133	FRIZIONE	CLUTCH

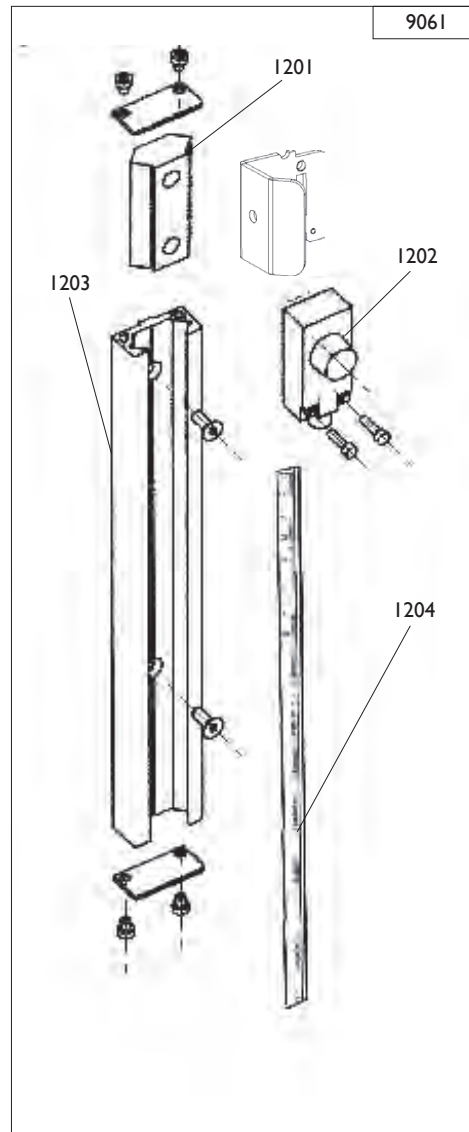
* Solo versione ELS
* Only version ELS



PANZITTA SALES & SERVICE
 72 George Avenue
 Wilkes-Barre, PA 18705
 570-822-6720 800-822-6720
 www.panzittasales.com

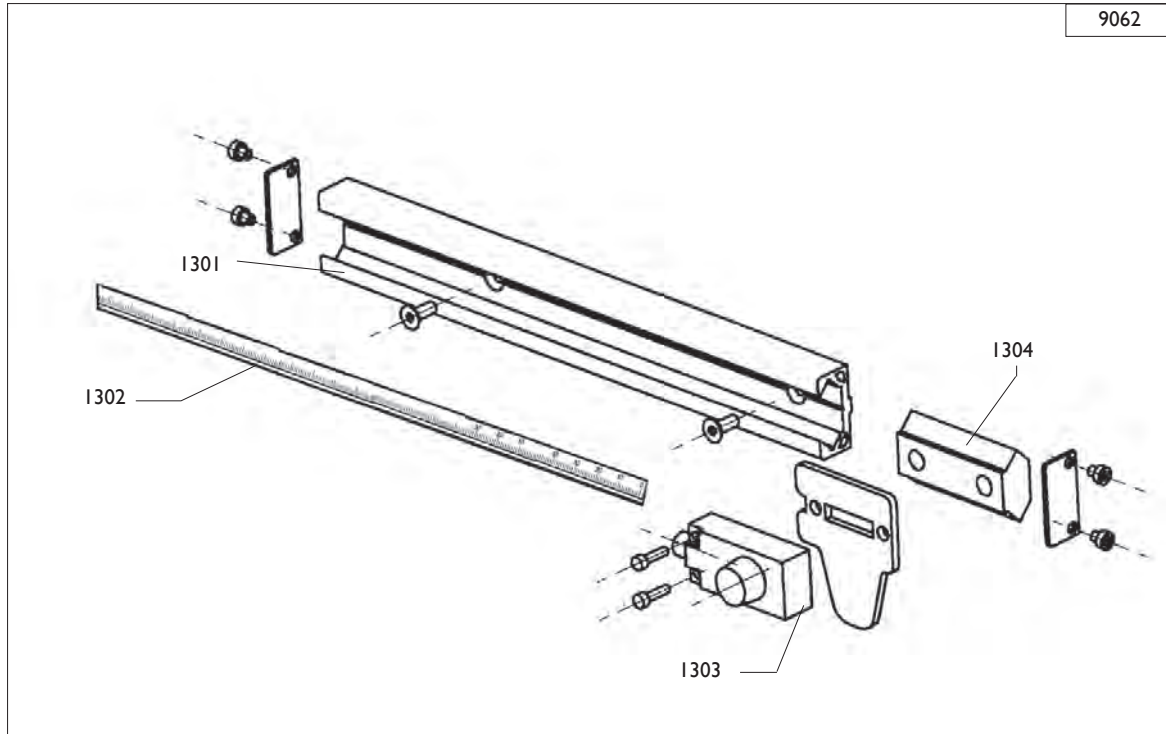
9060	5-102030	PEDALE COMPLETO	PEDAL
1001	4-105962	MICROINTERRUT.	SWITCH
1002	441675	ANTIVIBRAZIONI	VIBRATION DAMPER
1003	461234	PRESSACAVO	PLUG
1004	4-105961	LAMIERA SUP.	COVER
1005	4-105960	LAMIERA INF.	COVER
1006	4-105974	TUBO	TUBE

PANZITTA SALES & SERVICE
72 George Avenue
Wilkes-Barre, PA 18705
570-822-6720 800-822-6720
www.panzittasales.com



9061	5-102136	GRUP. RILEVATORE	SIGNAL TR. ASS.
1201	4-104055	PATTINO	PAD
1202	4-104053	SENSORE	SENSOR
1203	4-106300	TRAFILATO	DRAWN
1204	4-106489	ADESIVO	DECAL

PANZITTA SALES & SERVICE
72 George Avenue
Wilkes-Barre, PA 18705
570-822-6720 800-822-6720
www.panzittasales.com



9062	5-102312	GRUP. RILEVATORE		SIGNAL TR. ASS.	
1301	4-103631	TRAFILATO	DRAWN	GEZOGEN	TREFILE
1302	4-104860	ADESIVO	DECAL	KLEBER	ADHESIF
1303	4-104053	SENSORE	SENSOR	SONDE	CAPTEUR
1304	4-104055	PATTINO	PAD	GLEITSTCHUH	PATIN