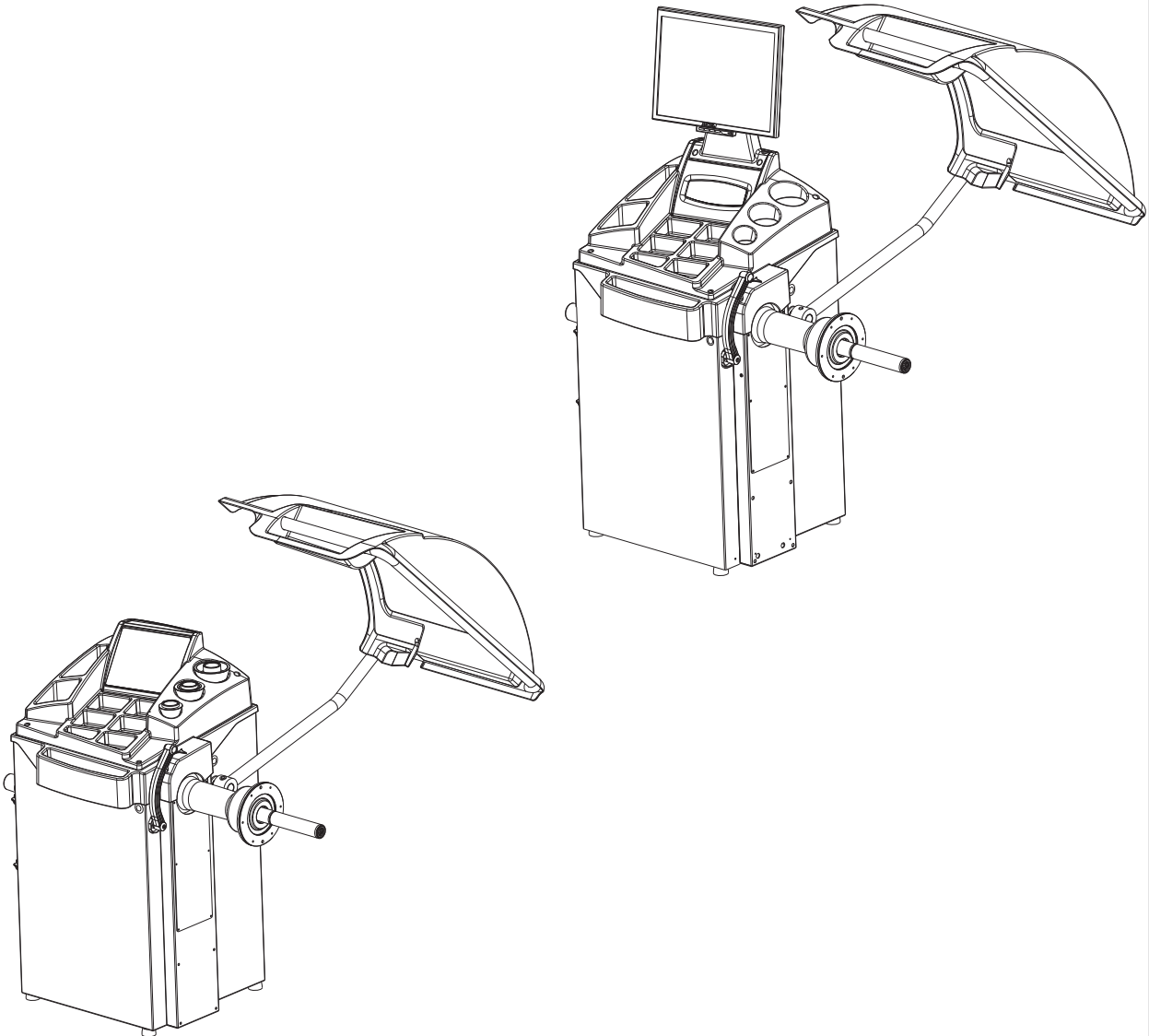


PANZITTA SALES & SERVICE
72 George Avenue
Wilkes-Barre, PA 18705
570-822-6720 800-822-6720
www.panzittasales.com

EM 7240
EM 7280

The "Spare parts" booklet does not authorize the user to carry out work on the machine unless expressly specified in the instruction manual, but does enable him to provide accurate information to the assistance service in order to reduce downtime.

PEZZI DI RICAMBIO
SPARE PARTS LIST
ERSATZTEILLISTE
PIECES DE RECHANGE



Code

4-108645A

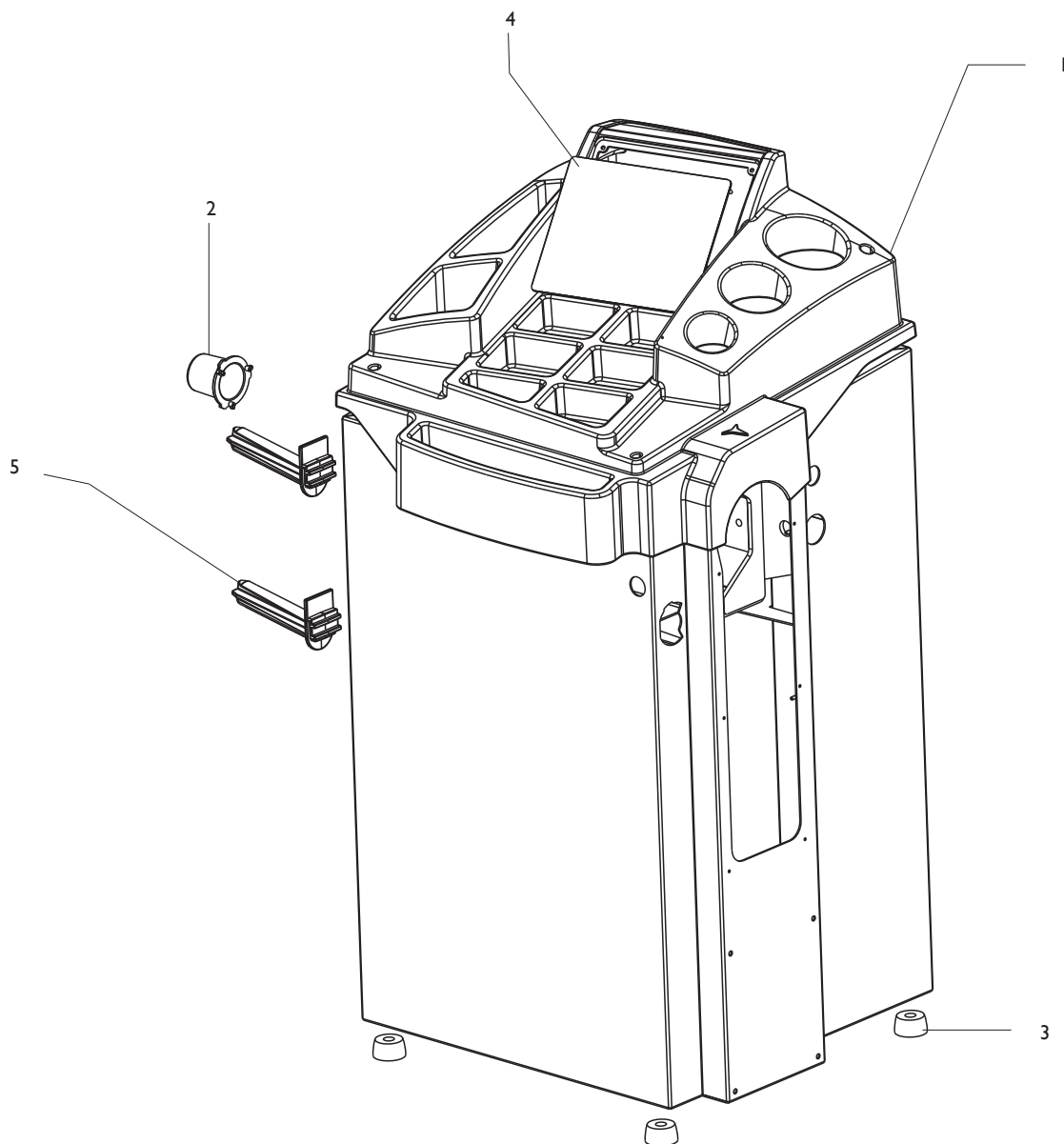
Production

01 / 10

Der Katalog Ersatzteile stellt keine Genehmigung zu eigenmächtigen Eingriffen dar (mit Ausnahme jener im Handbuch beschriebenen), sondern er soll den Anwender in die Lage versetzen, dem technischen Service präzise Informationen zu liefern, um die Reparaturzeiten zu verkürzen.



Le livret "Pièces de rechange", n'autorise pas l'utilisateur à intervenir sur les machines, sauf pour tout ce qui est clairement décrit dans le manuel d'utilisation, mais lui permet de fournir des informations précises à l'assistance technique, afin de diminuer les délais d'intervention.



0001 4-108650/90 COPERCHIO

0002 4-108675 TAPPO

0003 460029 PIEDE

0004 4-108085 TASTIERA EM7240

0005 438319 SUPPORTO

LID

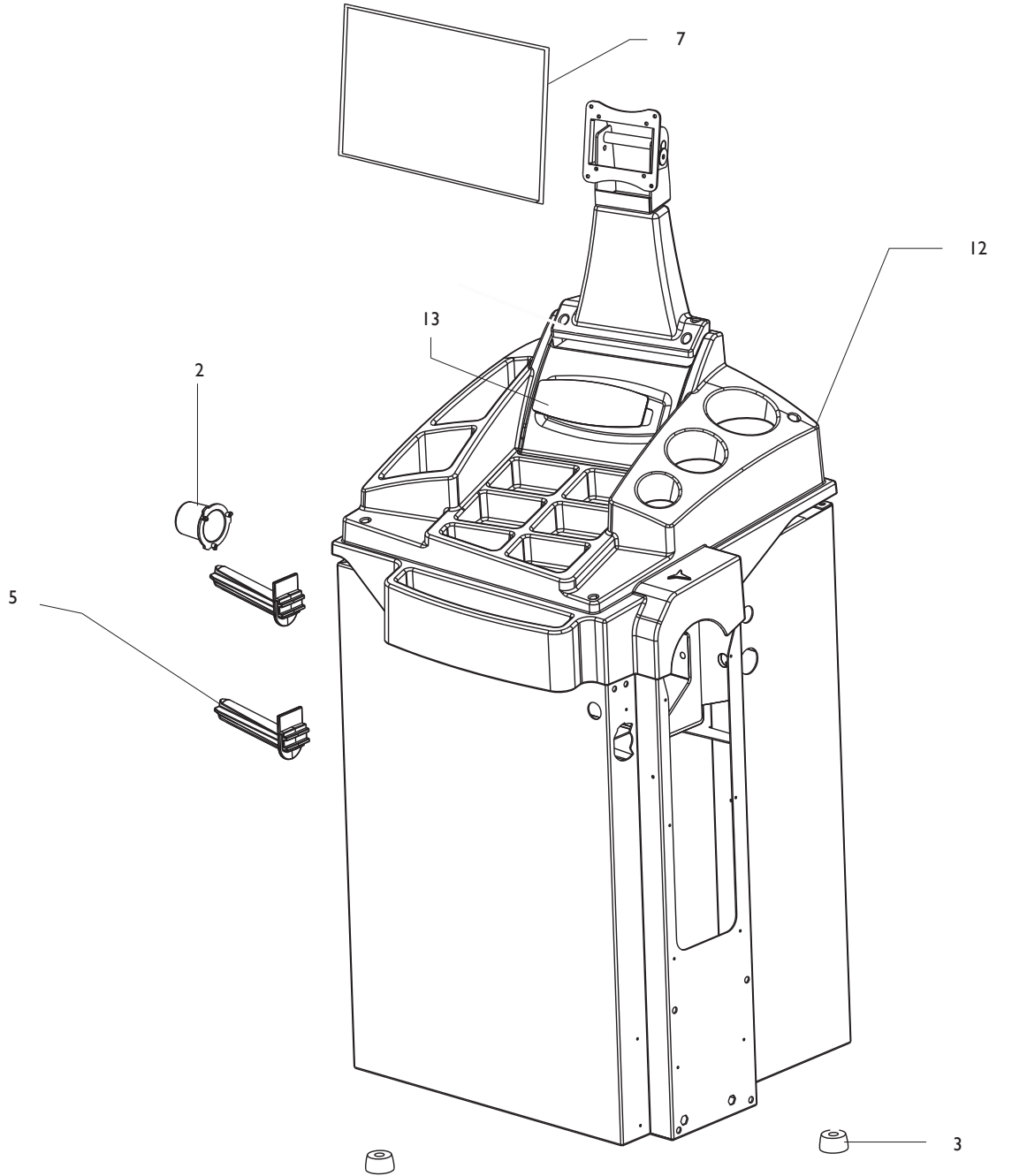
PLUG

FOOT

KEYBOARD

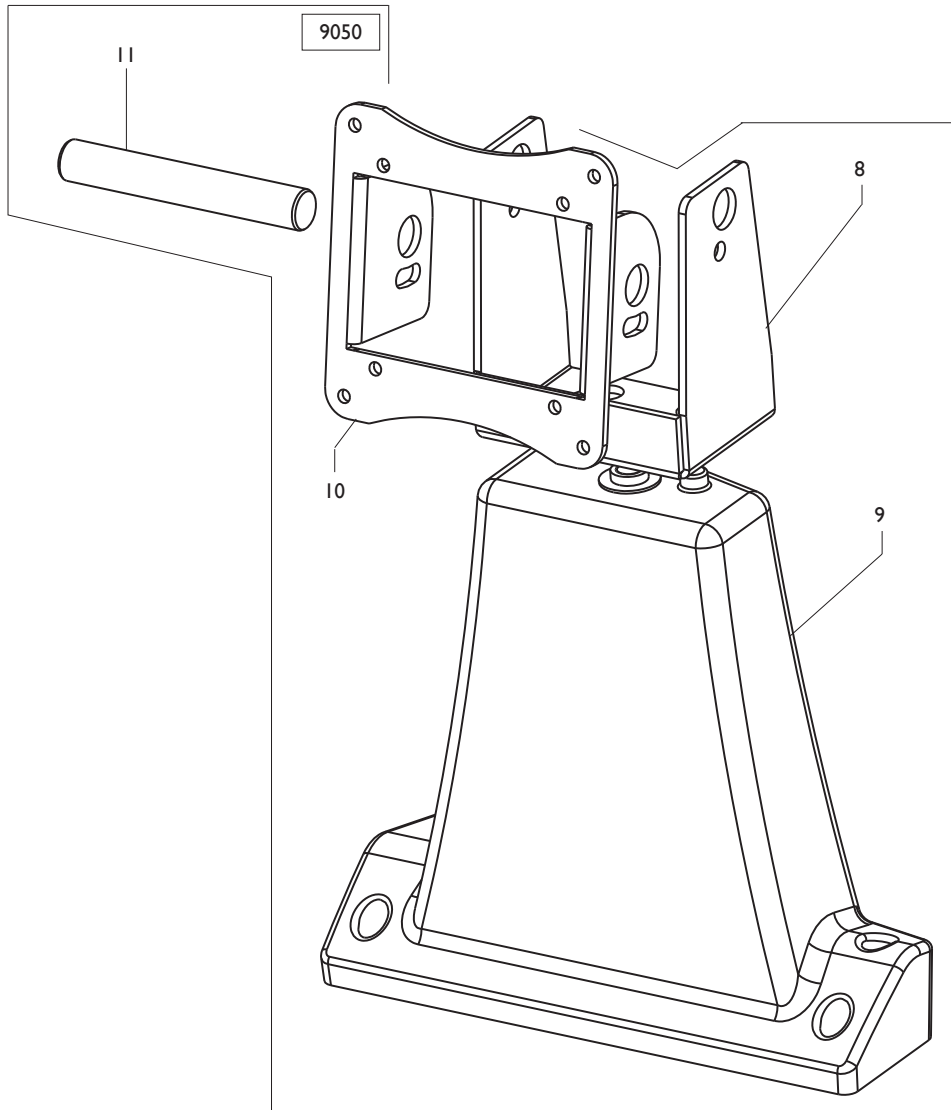
SUPPORT

PANZITTA SALES & SERVICE
72 George Avenue
Wilkes-Barre, PA 18705
570-822-6720 800-822-6720
www.panzittasales.com



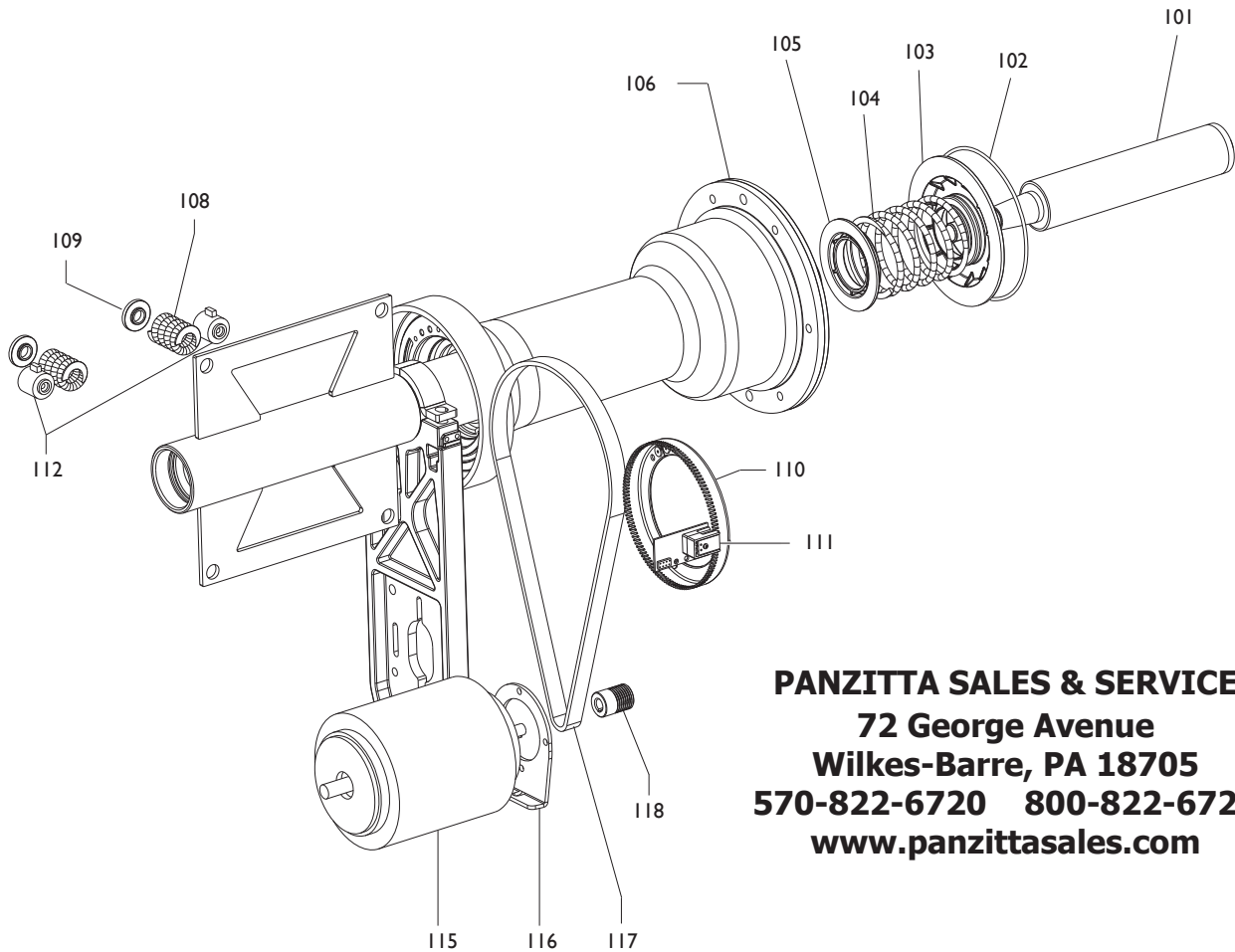
0002	4-108675	TAPPO	PLUG
0003	460029	PIEDE	FOOT
0005	438319	SUPPORTO	SUPPORT
0007	4-103594	MONITOR 17"	MONITOR 17"
0007	3-01952	MONITOR 19"	MONIITOR 19"
0012	4-108778/90	COPERCHIO	LID
0013	5-100030	TASTIERA EM7280	KEYBOARD

PANZITTA SALES & SERVICE
72 George Avenue
Wilkes-Barre, PA 18705
570-822-6720 800-822-6720
www.panzittasales.com



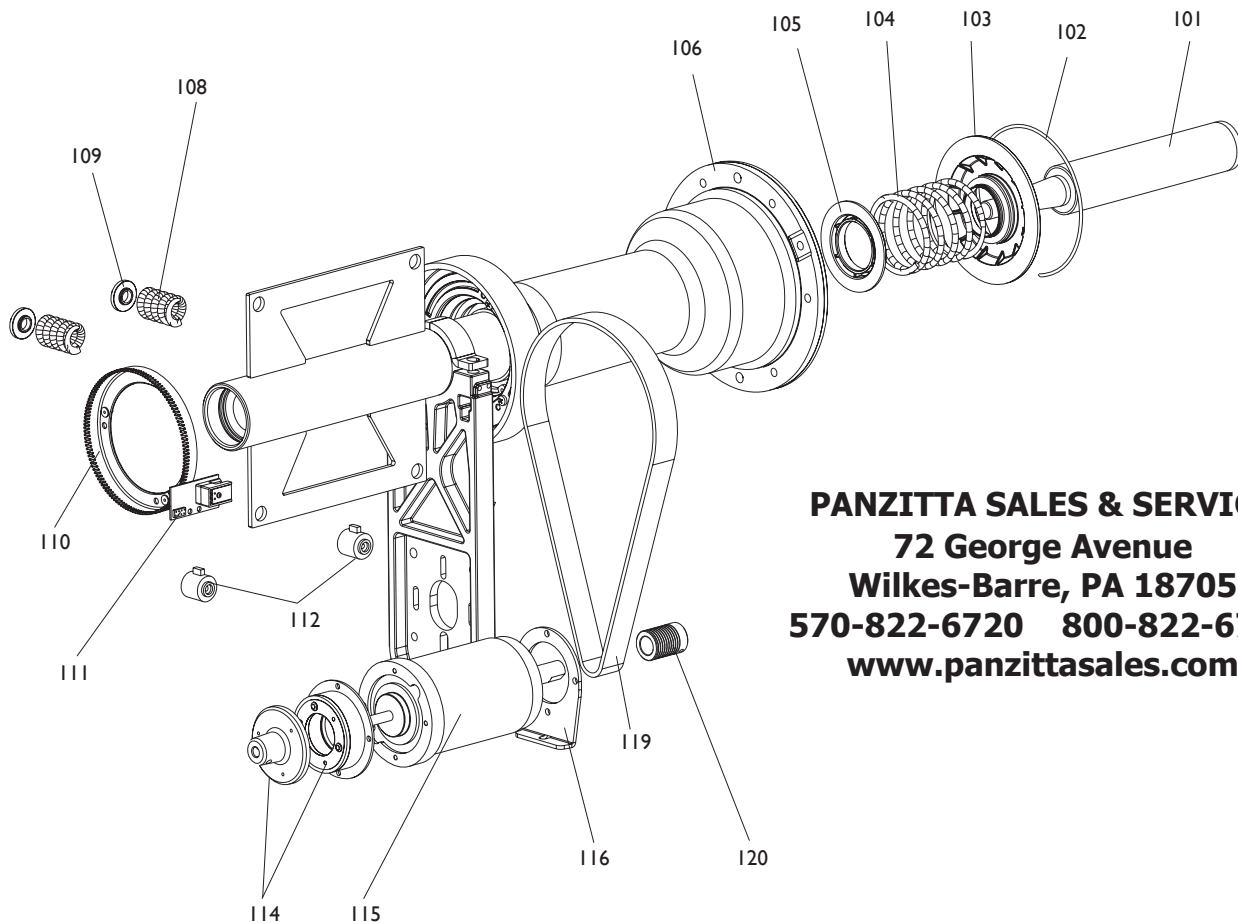
9050	5-103240	SUPPORTO MONITOR COMPLETO	SUPPORT
0008	4-105362/90	STAFFA	BRACKET
0009	4-108779/90	SUPPORTO	SUPPORT
0010	4-104381/90	FLANGIA	FLANGE
0011	4-104380	PERNO	PIN

PANZITTA SALES & SERVICE
72 George Avenue
Wilkes-Barre, PA 18705
570-822-6720 800-822-6720
www.panzittasales.com



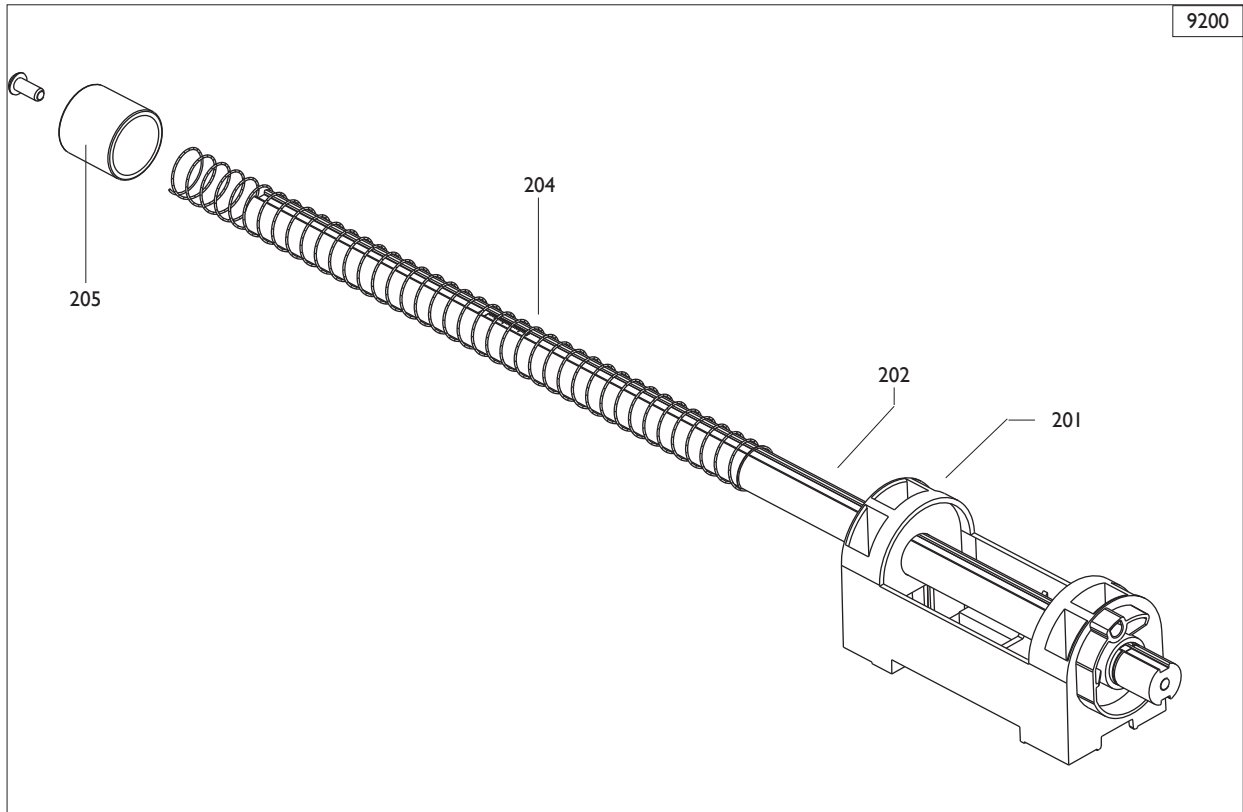
PANZITTA SALES & SERVICE
72 George Avenue
Wilkes-Barre, PA 18705
570-822-6720 800-822-6720
www.panzittasales.com

0101	5-101514	MOZZO	HUB
0102	4-101740	ANELLO	RING
0103	4-104590	DISCO	DISK
0104	4-104588	MOLLA	SPRING
0105	4-104589	DISCO	DISK
0106	5-103258	GRUPPO	ASSEMBLY
0108	4-104652	MOLLA	SPRING
0109	4-104650	BOCCOLA	BUSHING
0110	5-102161	KIT DISCO	DISK
0111	5-101447	SCHEDA ENCODER	ENCODER
0112	5-103533	PICK-UP	PICK-UP
0115	5-103200	MOTORE AC 230V+PULEGGIA	MOTOR+PULLEY
0115	5-103201	MOTORE AC 115V+PULEGGIA	MOTOR+PULLEY
0116	4-104598	FLANGIA	FLANGE
0117	3-03052	CINGHIA	BELT
0118	4-108609	PULEGGIA	PULLEY



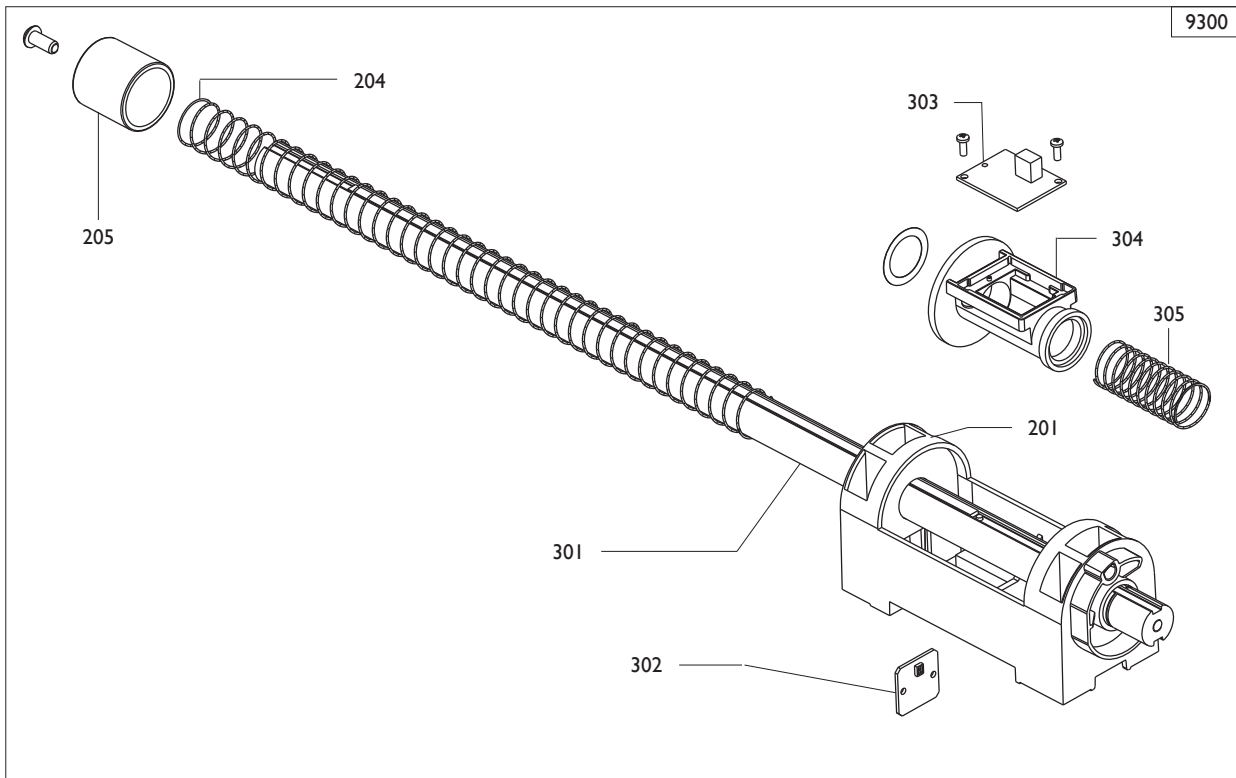
PANZITTA SALES & SERVICE
72 George Avenue
Wilkes-Barre, PA 18705
570-822-6720 800-822-6720
www.panzittasales.com

0101	5-101514	MOZZO	HUB	NABE	MOYEU
0102	4-101740	ANELLO	RING	RING	ANNEAU
0103	4-104590	DISCO	DISK	SCHEIBE	DISQUE
0104	4-104588	MOLLA	SPRING	FEDER	RESSORT
0105	4-104589	DISCO	DISK	SCHEIBE	DISQUE
0106	5-103258	GRUPPO	ASSEMBLY	GRUPPE	GROUPE
0108	4-104652	MOLLA	SPRING	FEDER	RESSORT
0109	4-104650	BOCCOLA	BUSHING	LAGER	DOUILLE
0110	5-102161	KIT DISCO	DISK	SCHEIBE	DISQUE
0111	5-101447	SCHEDA ENCODER	ENCODER	CODIERER	ENCODER
0112	5-103533	PICK-UP	PICK-UP	PICK-UP	PICK-UP
0114	4-109523	FRENO+MOZZO	BRAKE	BREMSE	FREIN
0115	5-100172	MOTORE AC 230V+PULEGGIA			MOTOR
0115	5-100180	MOTORE AC 115V+PULEGGIA			MOTOR
0116	4-104598	FLANGIA	FLANGE	FLANSCH	FLASQUE
0119	3-03052	CINGHIA	BELT	RIEMEN	COURROIE
0120	4-108609	PULEGGIA	PULLEY	RIEMENSCHIEBE	POULIE



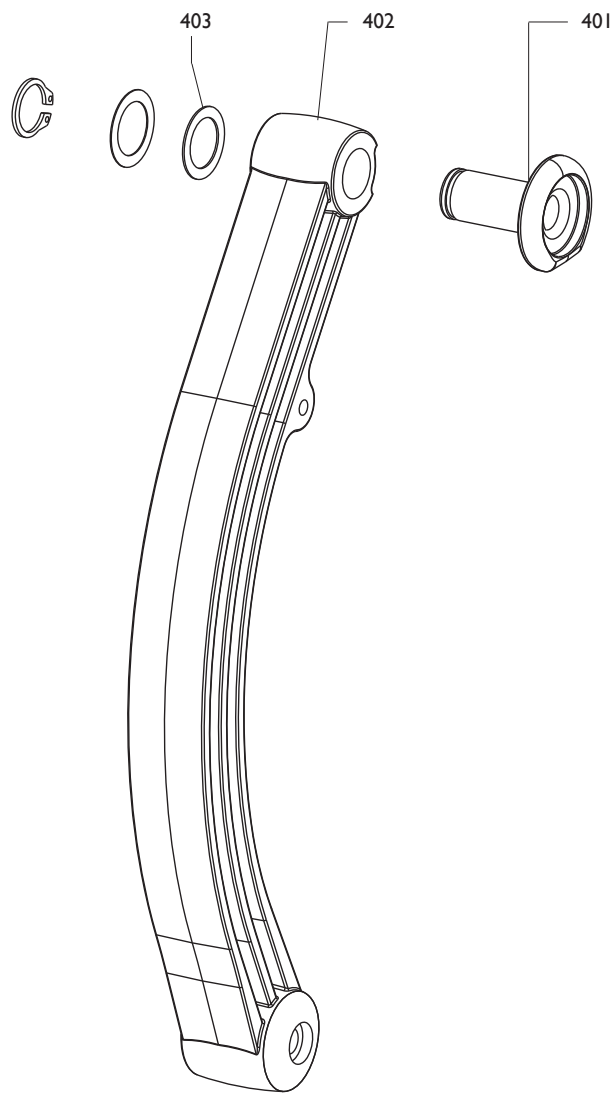
9200	5-103046	TASTATORE MANUALE	MANUAL FEELER
0201	4-108592	SUPPORTO	SUPPORT
0202	5-103202	ASTA+TARGHETTA	ROD+LABEL
0204	4-108611	MOLLA	SPRING
0205	4-108594	BOCCOLA	BUSHING

PANZITTA SALES & SERVICE
72 George Avenue
Wilkes-Barre, PA 18705
570-822-6720 800-822-6720
www.panzittasales.com



9300	5-103047	TASTATORE DIGITALE	DIGITAL FEELER
0201	4-108592	SUPPORTO	SUPPORT
0204	4-108611	MOLLA	SPRING
0205	4-108594	BOCCOLA	BUSHING
0301	5-103203	ASTA+MAGNETI+TARGHETTA	STAFF+MAGNET+LABEL
0302	5-103204	SCHEDA ENCODER	ENCODER BOARD
0303	5-103205	SCHEDA MAGNETI	BOARD
0304	4-108799	SUPPORTO+ENCODER	SUPPORT+ENCODER
0305	4-108612	MOLLA	SPRING

PANZITTA SALES & SERVICE
72 George Avenue
Wilkes-Barre, PA 18705
570-822-6720 800-822-6720
www.panzittasales.com

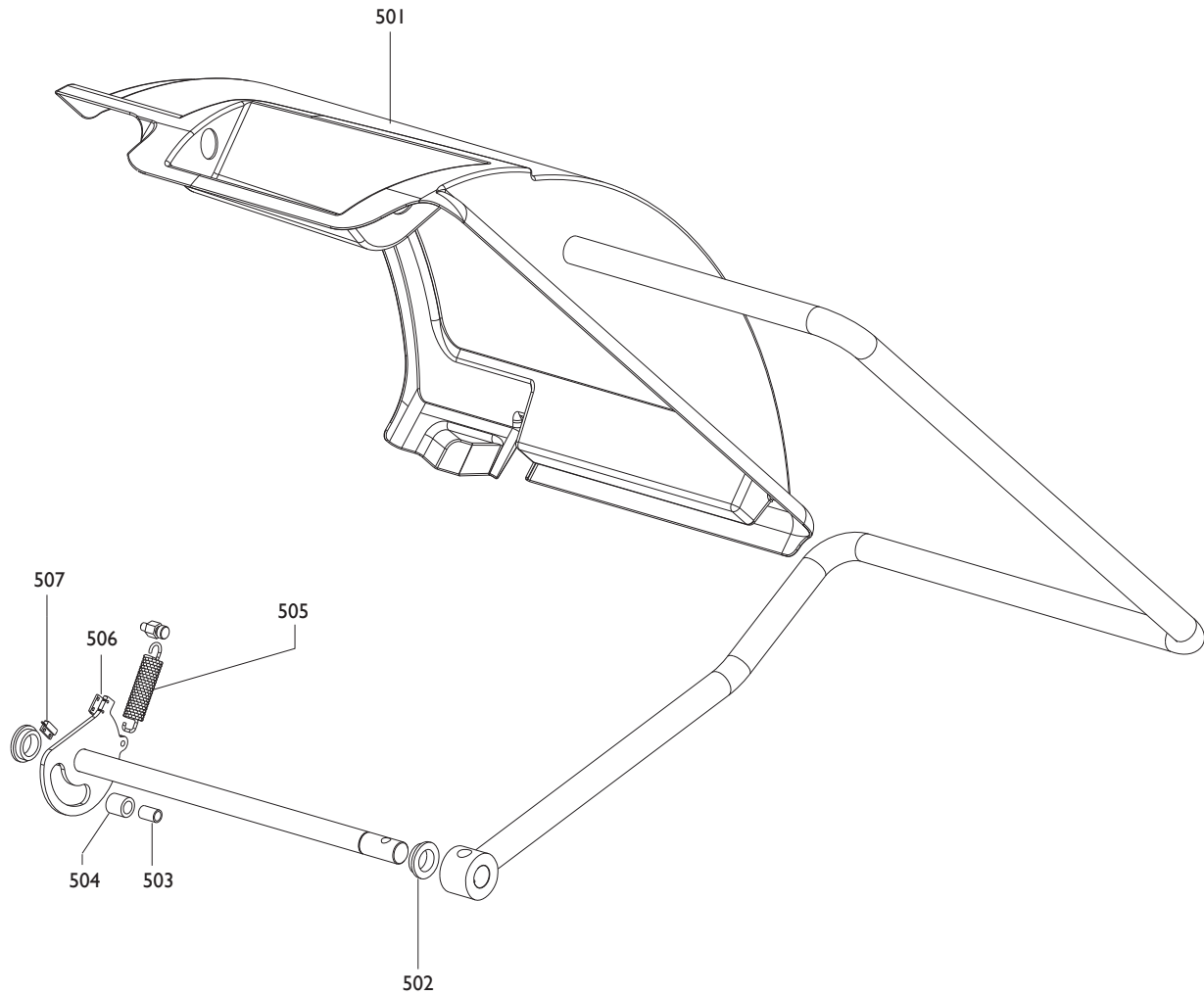


0401 4-108607
0402 4-108606
0403 450073

MANINA NO CLIP
LEVA RILEVATORE
ANELLO

TERMINAL NO CLIP
LEVER
RING

PANZITTA SALES & SERVICE
72 George Avenue
Wilkes-Barre, PA 18705
570-822-6720 800-822-6720
www.panzittasales.com

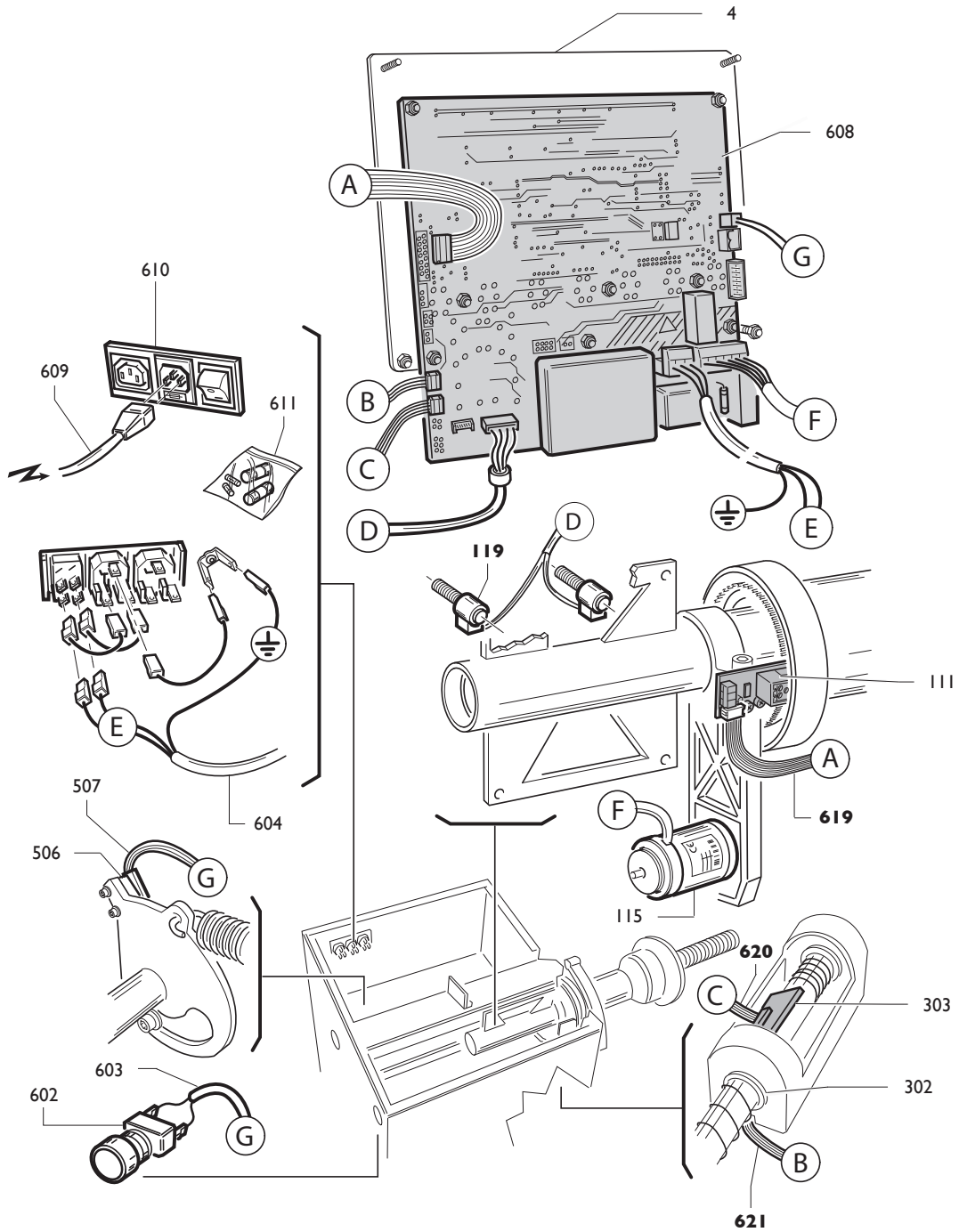


PANZITTA SALES & SERVICE
72 George Avenue
Wilkes-Barre, PA 18705
570-822-6720 800-822-6720
www.panzittasales.com


	EM7240 - EM7280	Protezione	TAV.F - 01 / 10
---	-----------------	------------	-----------------

0501	4-105459/90	PROTEZIONE	PROTECTION
0502	433637	BOCCOLA	BUSHING
0503	4-108658	DISTANZIALE	SPACE
0504	4-108657	FINECORSA	END OF STROKE
0505	4-108659	MOLLA	SPRING
0506	4-108096	MAGNETE	MAGNET
0507	4-108095	MICROINTERRUTTORE	MICROSWITCH

PANZITTA SALES & SERVICE
72 George Avenue
Wilkes-Barre, PA 18705
570-822-6720 800-822-6720
www.panzittasales.com

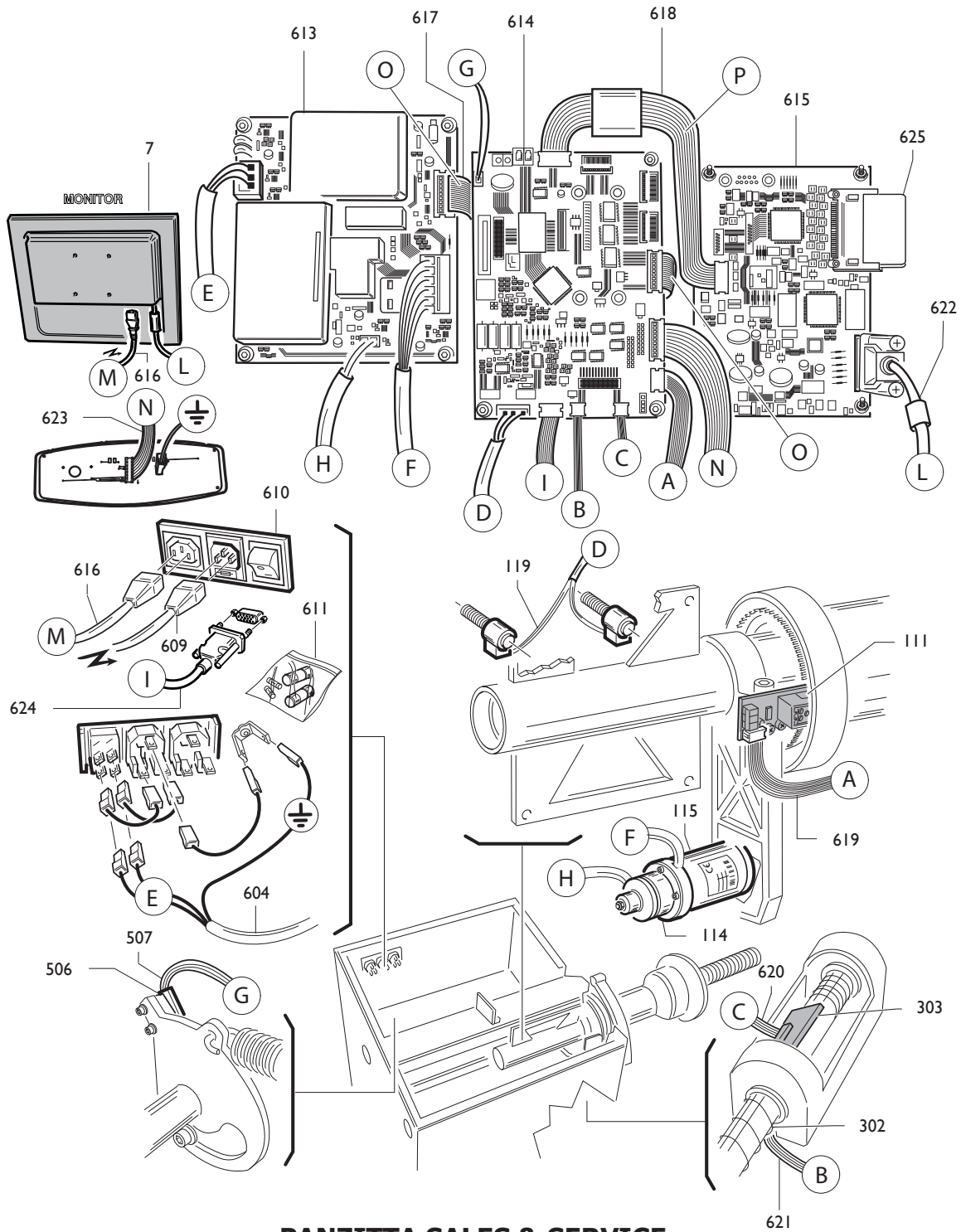


PANZITTA SALES & SERVICE
72 George Avenue
Wilkes-Barre, PA 18705
570-822-6720 800-822-6720
www.panzittasales.com


	EM7240	Impianto elettrico	TAV.G - 01 / 10
---	--------	--------------------	-----------------

0004	4-108085	TASTIERA	KEYBOARD
0115	5-103200	MOTORE+PULEGGIA 230V	MOTOR+PULLEY
0115	5-103201	MOTORE+PULEGGIA 115V	MOTOR+PULLEY
0119	5-103533	PICK UP+CAVO	PICK UP+CABLE
0111	5-101447	SCHEDA ENCODER	ENCODER
0302	5-103204	SCHEDA ENCODER TASTATORE	ENCODER BOARD
0303	5-103205	SCHEDA MAGNETI	MAGNET BOARD
0506	4-108096	MAGNETE M4	MAGNET
0507	4-108095	INTERRUTTORE REED+CAVO	SWITCH
0602	256213	INTERRUTTORE DI START	SWITCH
0603	4-107108	CAVO 2POLI L.1000	CABLE
0604	4-108093	CAVO ALIM.3P	CABLE
0608	5-103206	SCHEDA EL.+SW	P.C.BOARD+SW
0609	3-01943	CAVO RETE 2.5MT	CABLE
0610	3-01941	INTERRUTTORE	SWITCH
0611	5-102043	KIT 3 FUSIBILI 8AT	FUSE KIT 8AT
0619	4-109586	CAVO FLAT 8VIE L.950	FLAT
0620	4-109588	CAVO FLAT 6 VIE L.1100	FLAT
0621	4-109587	CAVO FLAT 4 VIE L.900	FLAT

PANZITTA SALES & SERVICE
72 George Avenue
Wilkes-Barre, PA 18705
570-822-6720 800-822-6720
www.panzittasales.com



PANZITTA SALES & SERVICE
72 George Avenue
Wilkes-Barre, PA 18705
570-822-6720 800-822-6720
www.panzittasales.com

	EM7280	Impianto elettrico	TAV. GI - 01 / 10
---	--------	--------------------	-------------------

0007	4-103594	MONITOR 17"	MONITOR 17"
0007	3-01952	MONITOR 19"	MONIITOR 19"
0111	5-101447	SCHEDA ENCODER	ENCODER
0114	4-109523	FRENO+MOZZO	BRAKE
0115	5-100172	MOTORE+PULEGGIA 230V	MOTOR+PULLEY
0115	5-100180	MOTORE+PULEGGIA 115V	MOTOR+PULLEY
0119	5-103533	PICK UP+CAVO	PICK UP+CABLE
0302	5-103204	SCHEDA ENCODER TASTATORE	ENCODER BOARD
0303	5-103205	SCHEDA MAGNETI	MAGNET BOARD
0506	4-108096	MAGNETE M4	MAGNET
0507	4-108095	INTERRUTTORE REED+CAVO	SWITCH
0604	4-108093	CAVO ALIM.3P	CABLE
0609	3-01943	CAVO RETE 2.5MT	CABLE
0610	3-01941	INTERRUTTORE	SWITCH
0611	5-102043	KIT 3 FUSIBILI 8AT	FUSE KIT 8AT
0613	5-100117	SCHEDA ALIMENTATORE	P.C.BOARD
0614	5-100126	SCHEDA CPU	P.C.BOARD
0615	5-100146	SCHEDA GRAFICA	P.C.BOARD
0616	3-01942	CAVO MONITOR	CABLE
0617	4-109502	FLAT 18VIE	FLAT
0618	4-109500	FLAT 12 VIE	FLAT
0619	4-109586	CAVO FLAT 8VIE L.950	FLAT
0620	4-109588	CAVO FLAT 6 VIE L.1100	FLAT
0621	4-109587	CAVO FLAT 4 VIE L.900	FLAT
0622	4-106133	CAVO PROLUNGA	CABLE
0623	4-104684	FLAT 16VIE	FLAT
0624	455181	FLAT 3POLI	FLAT
0625	3-02032	COMPACT FLASH(NO SW)	COMPACT FLASH (NO SW)

PANZITTA SALES & SERVICE
72 George Avenue
Wilkes-Barre, PA 18705
570-822-6720 800-822-6720
www.panzittasales.com