



PLEASE READ THE ENTIRE CONTENTS OF THIS MANUAL PRIOR TO INSTALLATION AND OPERATION. BY PROCEEDING YOU AGREE THAT YOU FULLY UNDERSTAND AND COMPREHEND THE FULL CONTENTS OF THIS MANUAL. FORWARD THIS MANUAL TO ALL OPERATORS. FAILURE TO OPERATE THIS EQUIPMENT AS DIRECTED MAY CAUSE INJURY OR DEATH.

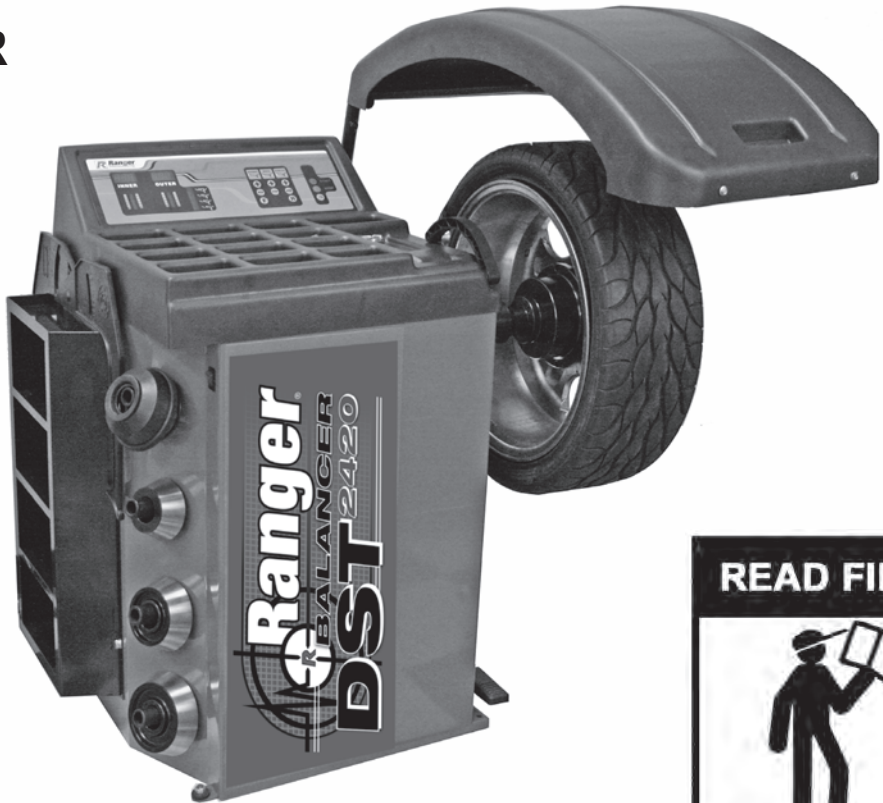
REV B 04-27-11

p/n# 5900233

# INSTALLATION AND OPERATION MANUAL

## MODEL DST-2420 WHEEL BALANCER

FOR BALANCING  
AUTOMOBILE,  
MOTORCYCLE  
& LIGHT TRUCK  
TIRES / WHEELS



Keep this operation manual near the machine at all times. Make sure that ALL USERS read this manual.



### SHIPPING DAMAGE CLAIMS

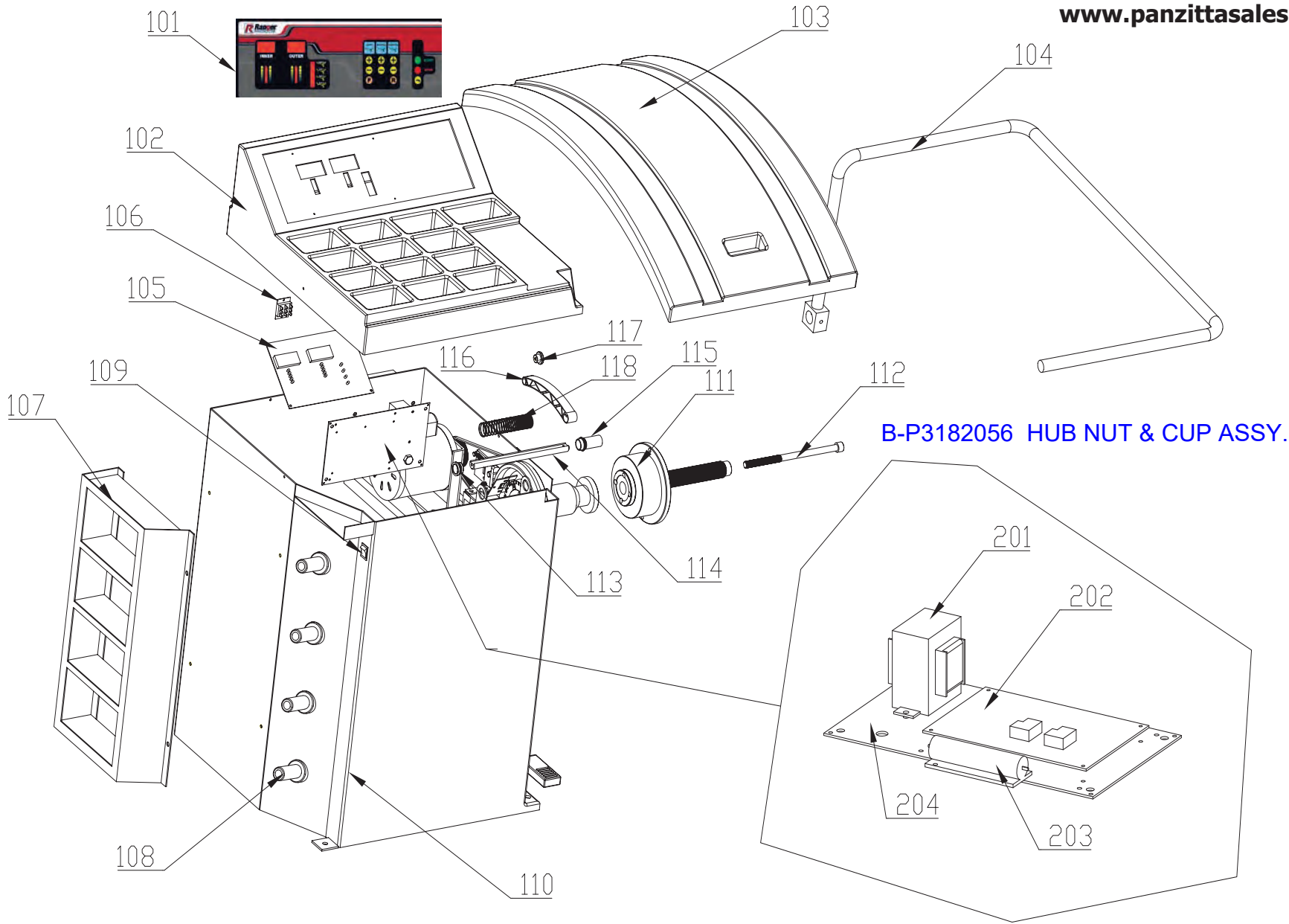
When this equipment is shipped, title passes to the purchaser upon receipt from the carrier. Consequently, claims for the material damaged in shipment must be made by the purchaser against the transportation company at the time shipment is received.

### BE SAFE

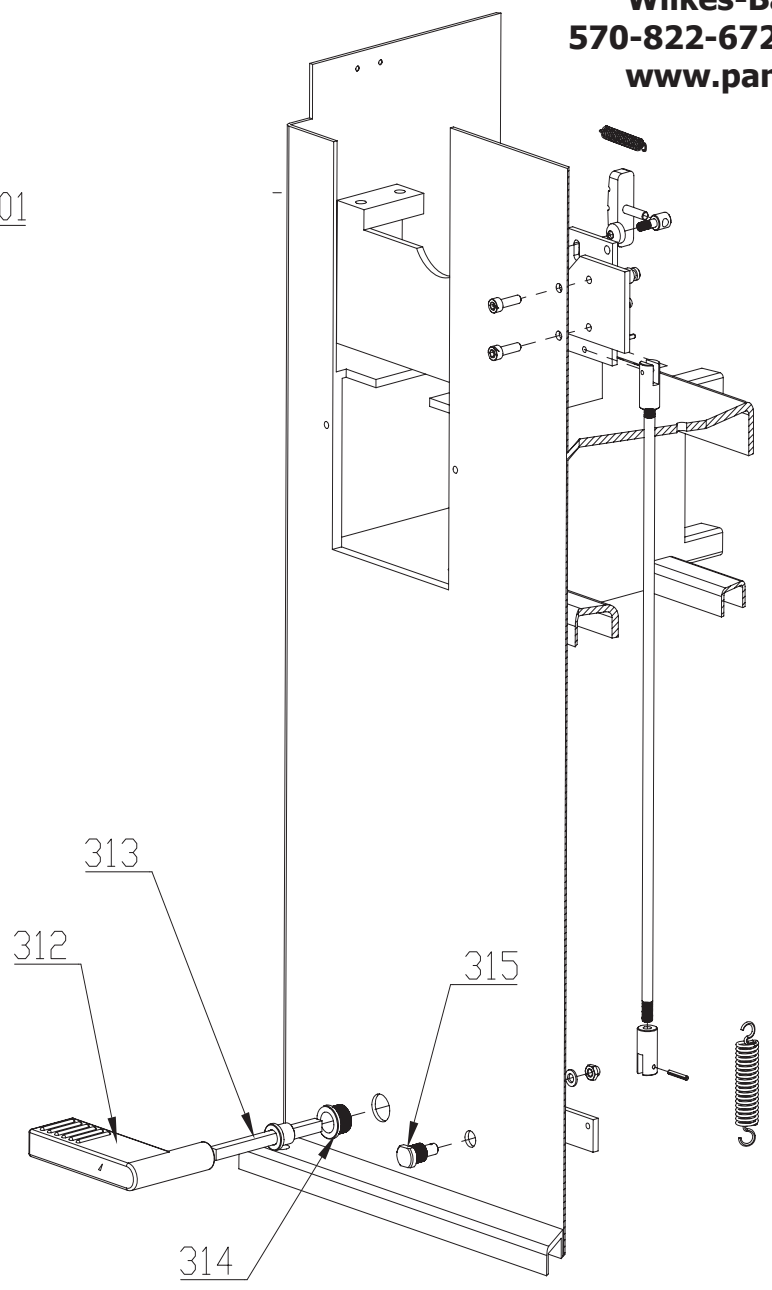
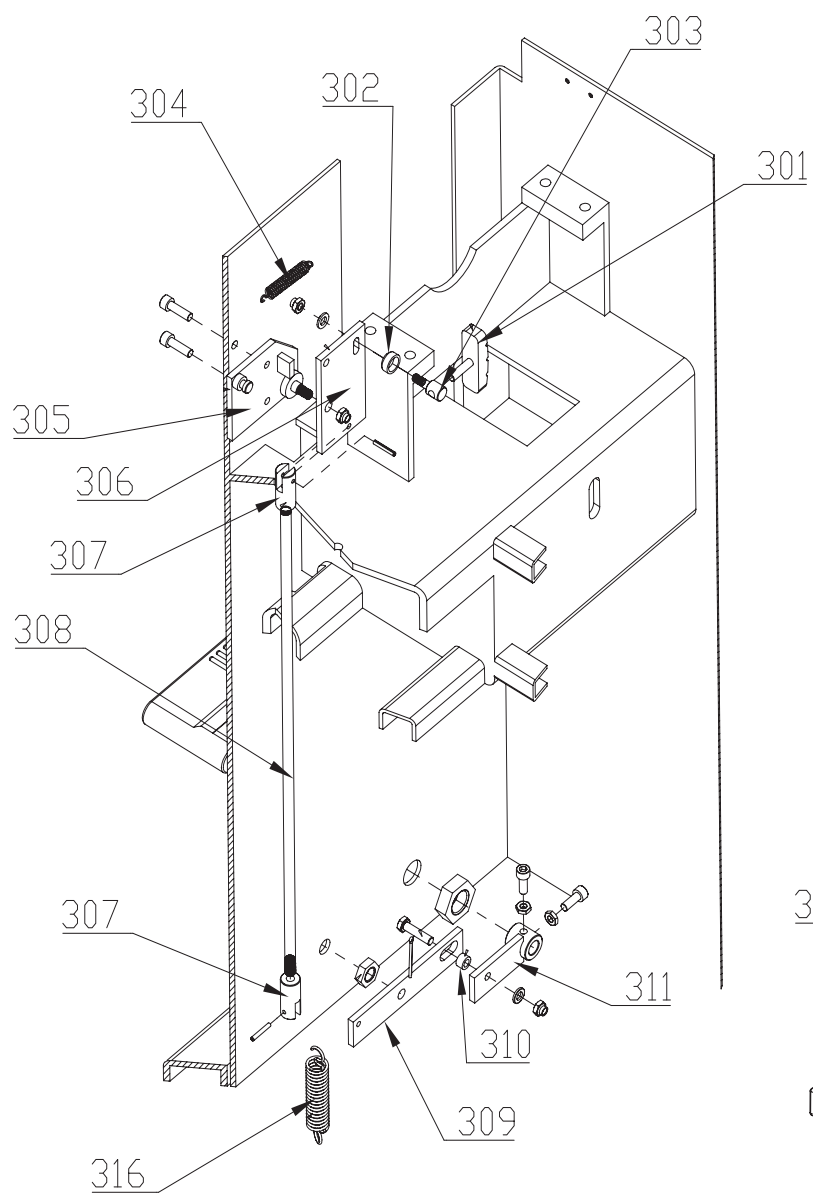
Your new Ranger balancer was designed and built with safety in mind. However, your overall safety can be increased by proper training and thoughtful operation on the part of the operator. DO NOT operate or repair this equipment without reading this manual and the important safety instructions shown inside.

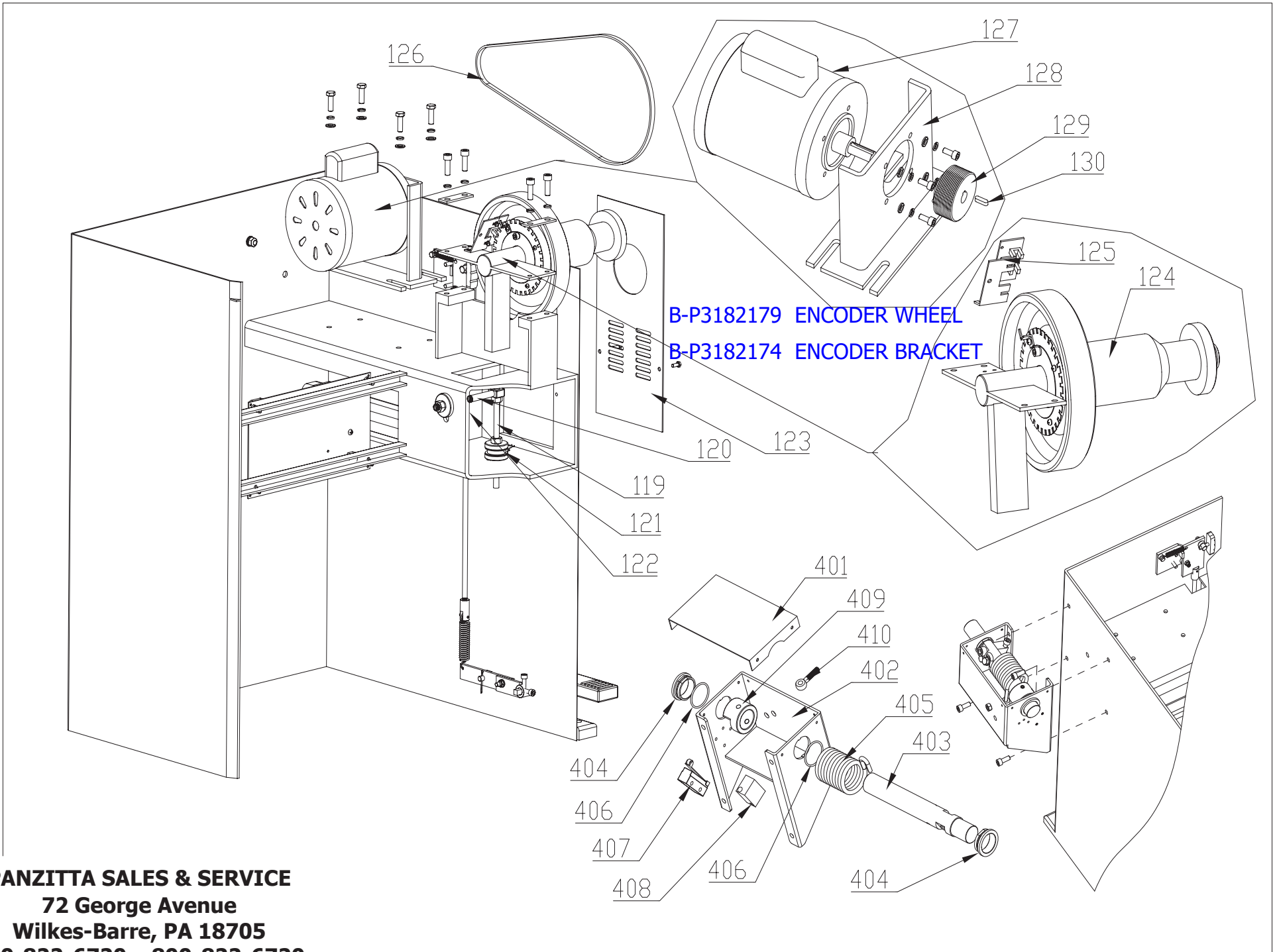


**PANZITTA SALES & SERVICE**  
72 George Avenue  
Wilkes-Barre, PA 18705  
570-822-6720 800-822-6720  
[www.panzittasales.com](http://www.panzittasales.com)



**B-P3182056 HUB NUT & CUP ASSY.**





DRAWING NO.	DESCRIPTION
101	Membrane Switch B-P3181986
102	Plastic Tray Cover B-P5327105
103	Wheel Guard B-P3182123
104	Guard Support DISCONTINUED
105	Computer Board B-P3182033
106	Voltage Select Sw B-P3182034
107	Shelves
108	Hanger B-P3182030
109	Power Switch B-P3182008
110	Chassis Body
111	Hub, 36MM B-P3181971
112	Hub Retaining Screw
113	Gauge Sleeve - short
114	Gauge Rod
115	Gauge sleeve - long B-P3182071
116	Measurement Arm B-P3182011
117	Part of 116
118	Gauge Spring
119	Sensor Vertical Rod
120	Sensor Horizontal Rod
121	Vertical Sensor
122	Horizontal Sensor
123	Side Panel
124	Spindle Cover B-P3182083
125	Encoder Board B-P3182084
126	Belt B-P3181970
127	Motor B-P3182075
128	Motor Bracket
129	Motor Pulley
130	Motor Pulley Key

DRAWING NO.	DESCRIPTION
201	Transformer B-P3181984
202	Power Board B-P3182012
203	Resistor B-P3181985
204	Power Mounting Plate
301	Brake Pad B-P3182064
302	Brake pad Spacer
303	Brake Bracket
304	Spring
305	Brake Fixed Plate
306	Brake Square Plate
307	Tie-rod Head
308	Tie-rod
309	Brake Connector
310	Bushing
311	Brake Pedal Connector
312	Brake Pedal B-P3182037
313	Square Rod
314	Screw Sleeve
315	Bolt
316	Spring
401	Hood Switch Box Cover
402	Hood Switch Box
403	Head Pivot Shaft
404	Bushing
405	Hood Spring B-P3182158
406	Snap Ring
407	Hood Switch B-P3182028
408	Block B-P3181989
409	Cam
410	Hood Adjustment Screw

**PANZITTA SALES & SERVICE**  
**72 George Avenue**  
**Wilkes-Barre, PA 18705**  
**570-822-6720 800-822-6720**  
**www.panzittasales.com**