

TAV.0	GENERAL BREAKDOWN	ED. 05/12
-------	-------------------	-----------

ITEM	PART NO.	DESCRIPTION	QTY	REMARK
1	P4-31001	Side tool tray	1	PANZITTA SALES & SERVICE 72 George Avenue Wilkes-Barre, PA 18705 570-822-6720 800-822-6720 www.panzittasales.com
2	0505006	Power switch 20A	1	
3	P4-31200	Side casing	1	
4	P4-01000	Control panel	1	
5	0507174	Encoder	1	
6	P4-01002	Knob 30X25X20	1	
7	P4-01003	Panel	1	
8	P4-01001	Rubber keypad	1	
9	0205003	Washer D.4 - GB/T96	3	
10	0507173	Keypad board	1	
11	0508309	Monitor 19"	1	
12	P4A-00003	Monitor support	1	
13	P4A-00002	Tilting arm	1	
14	0205009	Washer D.8 - GB/T96	8	
15	0206037	Screw M8X25	4	
16	P4-00002	Monitor support	1	
17	P4-00001	Weight tray	1	
18	0204047	Captive nut M6	6	
19	0206050	Screw M6X10 - GB/T70.2	6	
20	P1-31181	Power board support	1	
21	0507086	Power board	1	
22	P1-31182	Cooler bracket	1	
23a	0507110	Capacitor 50Hz 20VF/450V	1	
23b	0507112	Capacitor 60HZ 35V/300V	1	
24a	0503046	Power transformer 220V/30VA	1	
24b	0503062	Power transformer 230V/30VA	1	
24c	0503064	Power transformer 110V/30VA	1	

TAV.0	GENERAL BREAKDOWN	ED. 05/12
-------	-------------------	-----------

25	0201017	Screw M5X10 - GB/T9074.4	12
26a	0503034	Braking transformer 220V/40VA	1
26b	0503061	Braking transformer 230V/40VA	1
26c	0503063	Braking transformer 110V/40VA	1
27	P1-22001	Cone holder	2
28	P1-21001	Small pulley	1
29	0212012	Seeger D.6	2
30	P4-11000	Front metal panel	1
31	P4-00006	Front plastic panel	1
32	P1-41000	A/D gauge unit	1
33	0202032	Screw M6X16 - GB/T70.1	3
34	0208005	Spring washer D.6 - GB/T93	9
35	0205006	Washer D.6 - GB/T97.1	9
36	P1-21102	Pulley	1
37	0507091	Gauge wire L=1600	2
38	0 202005	Screw M4X25 - GB/T70.1	3
39	0508002	Potentiometer 10K	1
40	P1-21103	Spring	1
41	YC1-3002099	Plastic foot	2
42	P4-31100	Casing	1
43	0201030	Screw M8X30 - GB/T5781	2
44	P1-31232	Wheel guard spring	1
45	0201038	Screw M8X25 - GB/T5783	1
46	0203008	Nut M8 - GB52	2
47	0208006	Spring washer D.8 - GB/T93	11
48	0205008	Washer D.8 - GB97.1	4
49	0202045	Screw M8X20 - GB/T70.1	3

PANZITTA SALES & SERVICE
72 George Avenue
Wilkes-Barre, PA 18705
570-822-6720 800-822-6720
www.panzittasales.com

TAV.0	GENERAL BREAKDOWN	ED. 05/12
-------	-------------------	-----------

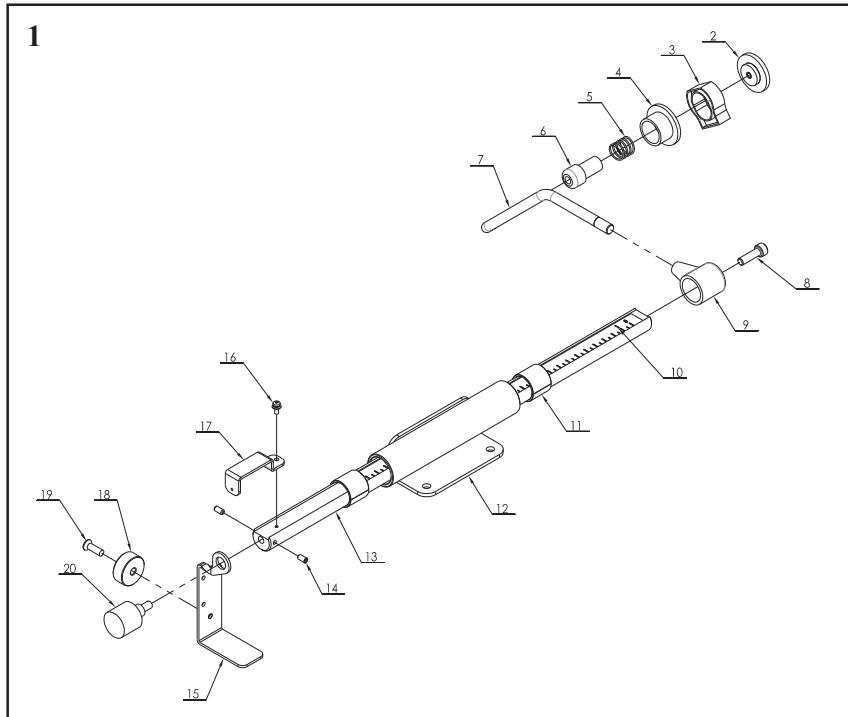
50	0201149	Isolation pin	4
51	P4A-00001	Board support	1
52	0507175	Computer board	1
53	0201135	Screw M3X8 - GB/T9074.4	11
54	P1-31210	Swivel	1
55	0209046	Screw M8X10 - GB/T80	2
56	P1-31205	Alignment bush	1
57	P1-31231	Bush	2
58	0206014	Screw M5X6 - GB/T818	1
59	0505017	Limit switch 7311	1
60	P1-31220	Switch support	1
61	P4-60001	Pin	1
62	0201127	Screw M8X60 - GB/T27	2
63	0204004	Nut M8 - GB/T889.1	6
64	P4-62000	Support	1
65	0202040	Screw M8X16 - GB/T70.1	10
66	P4-63000	Guard support	1
67	P4-00005	Wheel guard	1
68	P4-61000	B gauge unit	1
69	0508279	Cable connector	1
70	P1-11000	Balancing shaft	1
71	0202062	Screw M10X30 - GB/T70.1	4
72	0208007	Spring washer D.10 - GB/T93	4
73	0205011	Washer D.10 - GB/T97.1	4
74	P1-31305	Braking cloth	1
75	P1-31304	Brake	1
76	P1-31307	Connecting rod	1

PANZITTA SALES & SERVICE
72 George Avenue
Wilkes-Barre, PA 18705
570-822-6720 800-822-6720
www.panzittasales.com

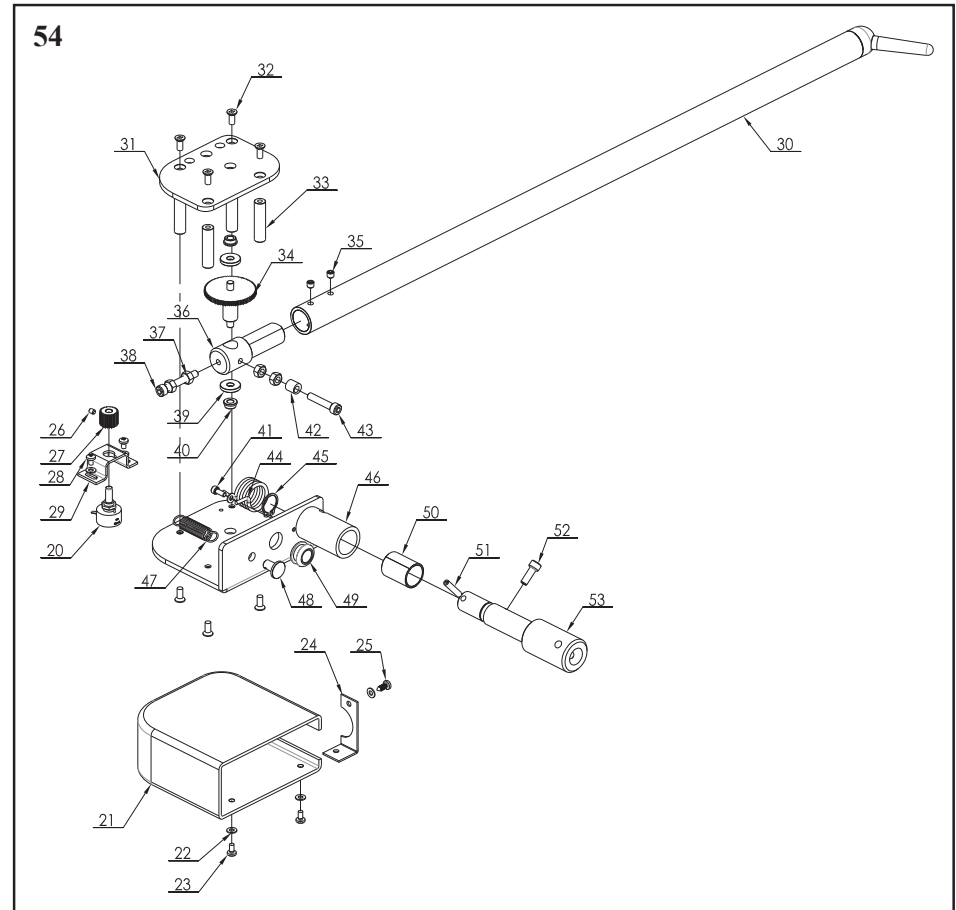
TAV.0	GENERAL BREAKDOWN	ED. 05/12
-------	-------------------	-----------

77	P1-31303	Lever	1
78	0201137	Screw M4X10 - GB/T9074.4	2
79	0213044	Split pin 2X20 - GB/T91	4
80	P1-31301	Pin	1
81	0205007	Washer D.6 - GB/T96	2
82	0203004	Nut M6 - GB/T52	10
83	P1-31306	Spring	1
84	P1-31302	Brake pedal	1

PANZITTA SALES & SERVICE
72 George Avenue
Wilkes-Barre, PA 18705
570-822-6720 800-822-6720
www.panzittasales.com



PANZITTA SALES & SERVICE
72 George Avenue
Wilkes-Barre, PA 18705
570-822-6720 800-822-6720
www.panzittasales.com



TAV.32.68	MEASURING GAUGES	ED. 05/12
-----------	------------------	-----------

ITEM	PART NO.	DESCRIPTION	QTY	REMARK
1	P1-41000	A/D gauge unit	1	PANZITTA SALES & SERVICE 72 George Avenue Wilkes-Barre, PA 18705 570-822-6720 800-822-6720 www.panzittasales.com
2	P1-41220	Index tip	1	
3	P1-41205	Weight pusher	1	
4	P1-41204	Pincher	1	
5	P1-21101	Spring	1	
6	P1-41203	Revolving piece	1	
7	P1-41202	Gauge index	1	
8	0202033	Screw M6X20 - GB/T70.1	1	
9	P1-41201	Index support	1	
10	P1-41109	Scale decal	1	
11	0210002	Self-lubricated bush 2020	2	
12	P1-41300	Gauge support	1	
13	P1-41101	Gauge rod	1	
14	0209017	Screw M4X8 – GB/T80	2	
15	P1-41105	Potentiometer limit	1	
16	0201135	Screw M3X8 – GB/T9074.4	1	
17	P1-41104	Potentiometer support	1	
18	P1-41108	Counterweight	1	
19	0207006	Screw M5X16 – GB/T819.1	1	
20	0508002	Potentiometer 1W/10K	2	
21	P4-61005	Protection	1	
22	0205002	Washer D.4 - GB/T97.1	6	
23	0206023	Screw M4X8 - GB/T818	2	
24	P4-61001	L plate	1	
25	0207035	Self-tapping screw ST4.2X12 - GB/T845	1	
26	0209053	Screw M4X5 - GB/T80	1	
27	P4-61011	Small gear	1	

TAV.32.68

MEASURING GAUGES

ED. 05/12

28	0206019	Screw M4X6 - GB/T818	2
29	P4-61006	Support	1
30	P4-61100	Gauge rod	1
31	P4-61012	Cover	1
32	0207009	Screw M5X12 - GB/T819	8
33	P4-61004	Spacer pin	4
34	P4-61010	gear	1
35	0209047	Screw M6X6 - GB/T80	4
36	P4-61014	Pin	1
37	0203004	Nut M6 - GB/T52	4
38	0202035	Screw M6X40 - GB/T70.1	1
39	P4-61009	Spacer	2
40	P4-61008	Bush	2
41	0202022	Screw M4X10 - GB/T70.1	1
42	P4-61015	Cam	1
43	0202026	Screw M6X30 - GB/T70.1	1
44	P4-61012	Return spring	1
45	0212016	Seeger D.18	1
46	P4-61300	Support	1
47	P4-61013	Spring	1
48	P4-61007	Spring pin	1
49	0606024	Cable holder	1
50	0210004	Self-lubricated bush 2030	1
51	0213004	Elastic pin 5X25	1
52	0202032	Spring M6X16 - GB/T70.1	1
53	P4-61003	Pin	1
54	P4-61000	B gauge unit	1

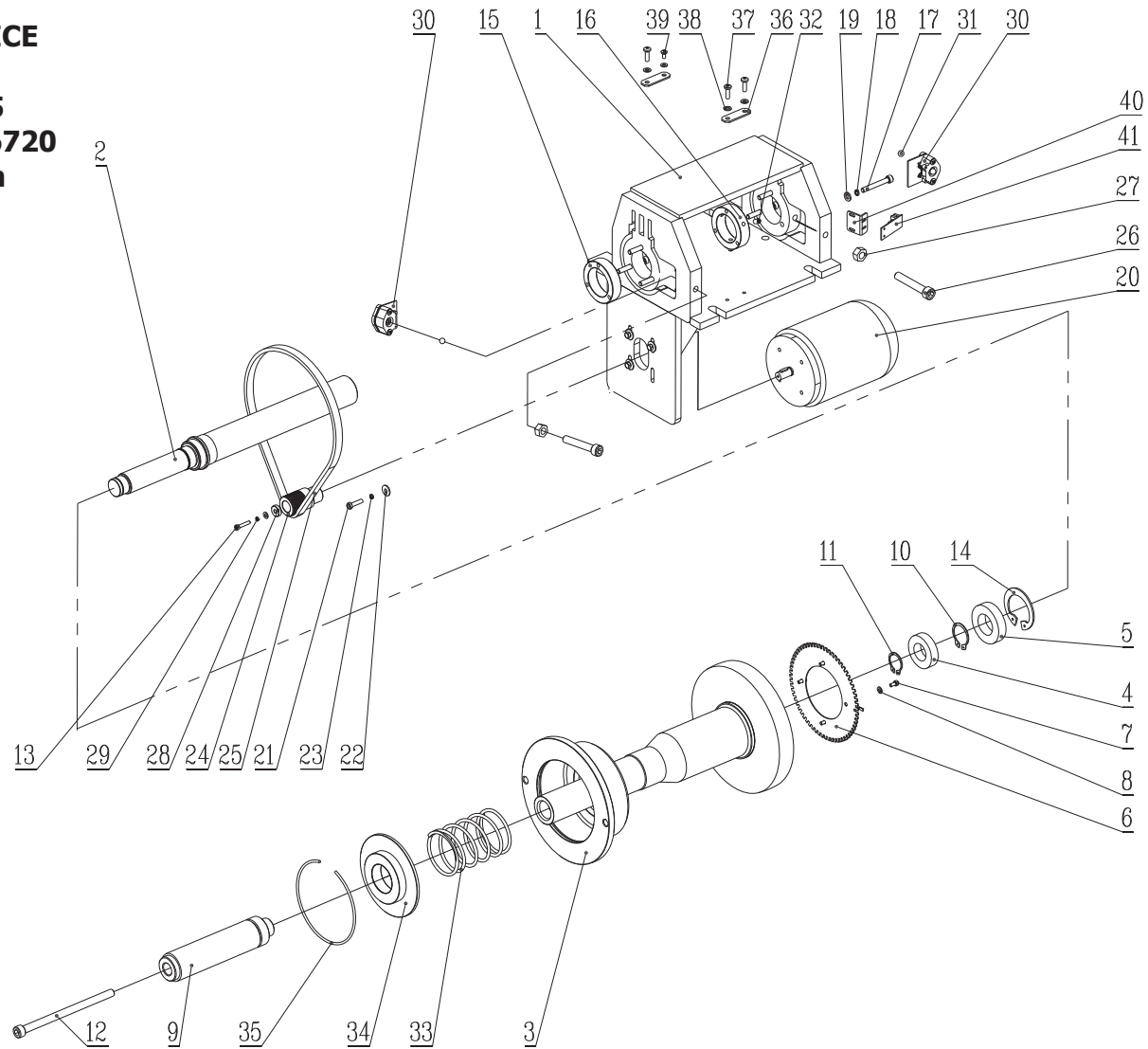
PANZITTA SALES & SERVICE
72 George Avenue
Wilkes-Barre, PA 18705
570-822-6720 800-822-6720
www.panzittasales.com

TAV.66.0

BALANCING SHAFT

ED. 05/12

PANZITTA SALES & SERVICE
72 George Avenue
Wilkes-Barre, PA 18705
570-822-6720 800-822-6720
www.panzittasales.com



TAV.66.0	BALANCING SHAFT	ED. 05/12
----------	-----------------	-----------

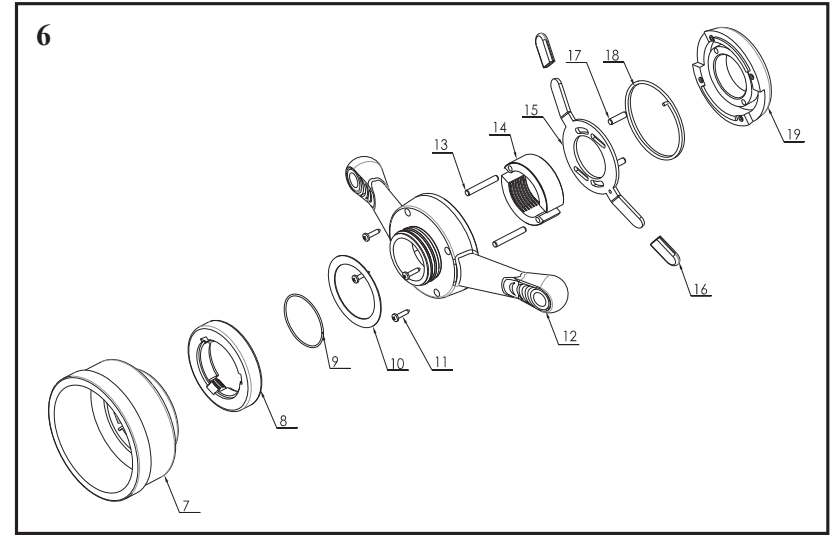
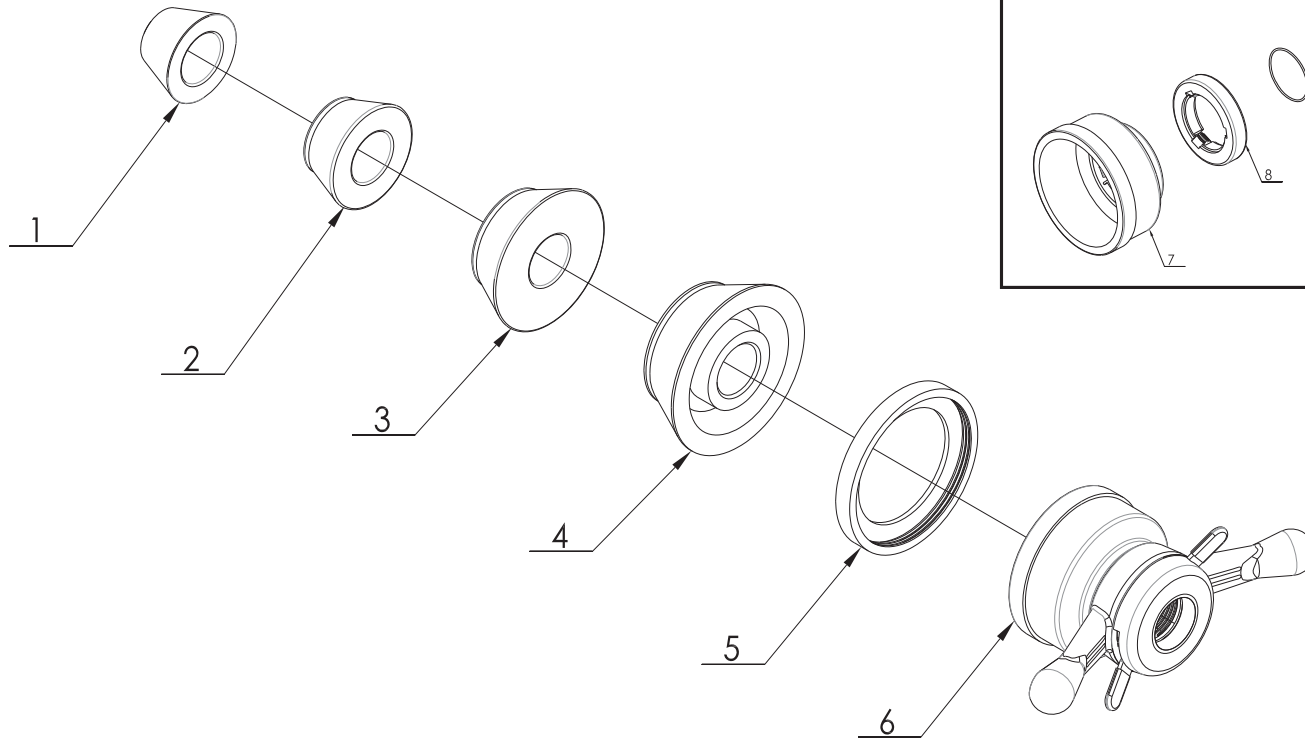
ITEM	PART NO.	DESCRIPTION	QTY	REMARK
1	P1-11100	Shaft support	1	PANZITTA SALES & SERVICE 72 George Avenue Wilkes-Barre, PA 18705 570-822-6720 800-822-6720 www.panzittasales.com
2	P1-11001	Balancing shaft	1	
3	P1-10010	Balancing wheel	1	
4	0214001	Bearing 6005 - GB276	1	
5	0214002	Bearing 6006 - GB276	1	
6	P1-11002	Encoder phase disk	1	
7	0202008	Screw M4X8 - GB/T70.1	4	
8	0205002	Washer D.4 - GB/T97.1	6	
9	P1-10021	Thread end piece	1	
10	0212021	Seeger D.30 - GB/T894.2	1	
11	0212004	Seeger D.25 - GB/T894.2	1	
12	0202064	Screw M10X160 - GB/T70.1	1	
13	0202001	Screw M4X20 - GB/T70.1	1	
14	0211006	Seeger D.55 - GB/T893.2	1	
15	P1-11014	Bush	1	
16	P1-11015	Bush	1	
17	0202028	Screw M6X45 - GB/T70.1	6	
18	0208005	Spring washer D.6 - GB/T93	6	
19	0205006	Washer D.6 - GB/T97.1	6	
20a	0509008	Motor 220V/50Hz 0.18KW	1	
20b	0509022	Motor 220V/60Hz 0.18KW	1	
20c	0509082	Motor 230V/50Hz 0.18KW	1	
20d	0509083	Motor 110V/60Hz 0.18KW	1	
21	0201115	Screw M5X20 - GB/T5781	4	
22	0205005	Washer D.5 - GB/T96	4	
23	0208003	Spring washer D.5 - GB/T93	4	
24	P1-11003Y	Drive pulley	1	

TAV.66.0	BALANCING SHAFT	ED. 05/12
----------	-----------------	-----------

25	0511049	Drive belt	1
26	P1-11004	Special screw M10X60	2
27	0203009	Nut M10 - GB/6170	2
28	P1-11007Y	Pulley cap	1
29	0208002	Spring washer D.4 - GB/T93	1
30	P1-11200	Piezo sensor	2
31	0215038	Steel ball D.8	4
32	0209002	Screw M6X10 - GB/T80	3
33	P1-11010	Captured spring	1
34	P1-11011	Cover	1
35	P1-11012	Spring	1
36	P1-11013	Fastening plate	1
37	0206026	Screw M5X16 - GB/818	2
38	0205004	Washer D.5 - GB/T97.1	3
39	0206023	Screw M4X8 - GB/818	1
40	P1-11005	Encoder support	1
41	0507085	Phase encoder	1

PANZITTA SALES & SERVICE
72 George Avenue
Wilkes-Barre, PA 18705
570-822-6720 800-822-6720
www.panzittasales.com

PANZITTA SALES & SERVICE
72 George Avenue
Wilkes-Barre, PA 18705
570-822-6720 800-822-6720
www.panzittasales.com



STANDARD ACCESSORIES

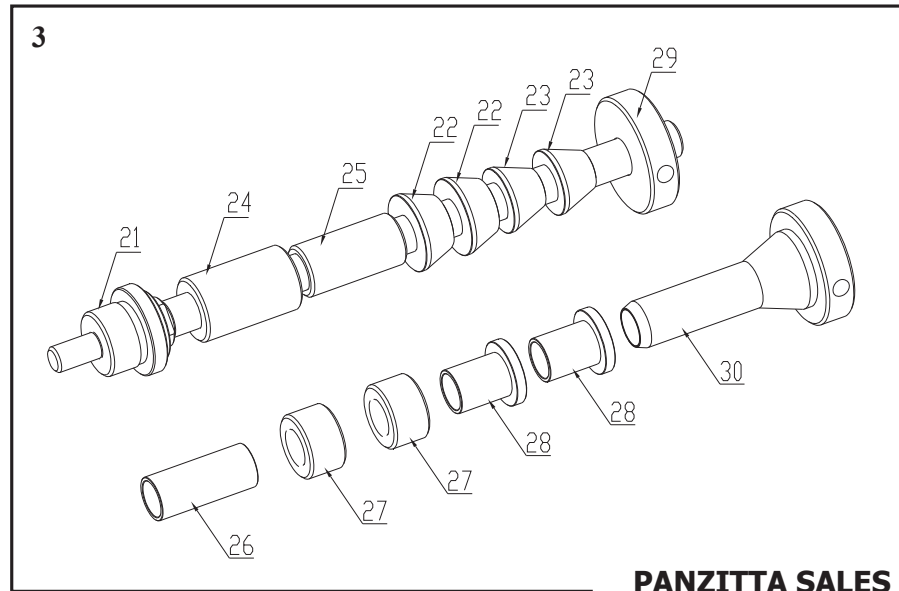
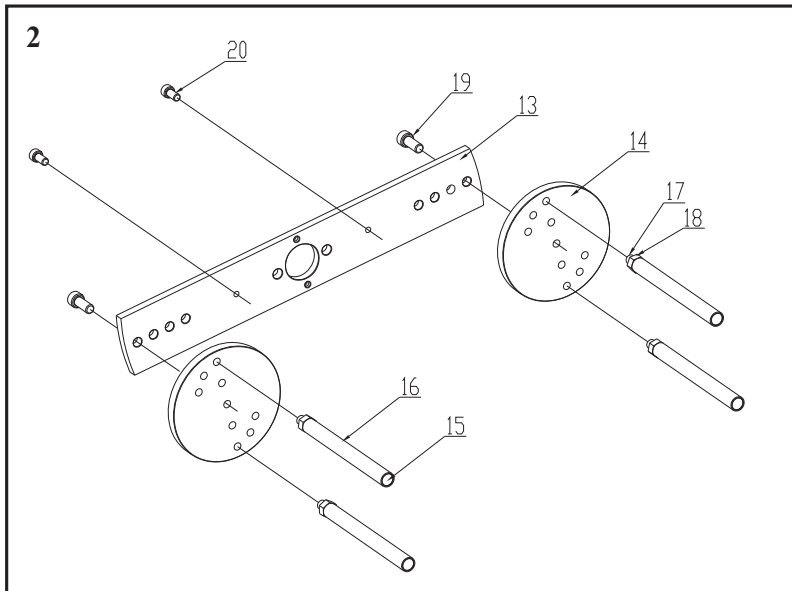
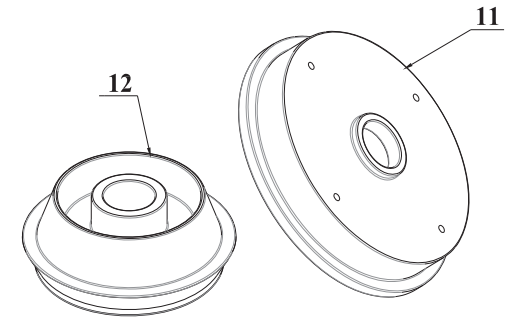
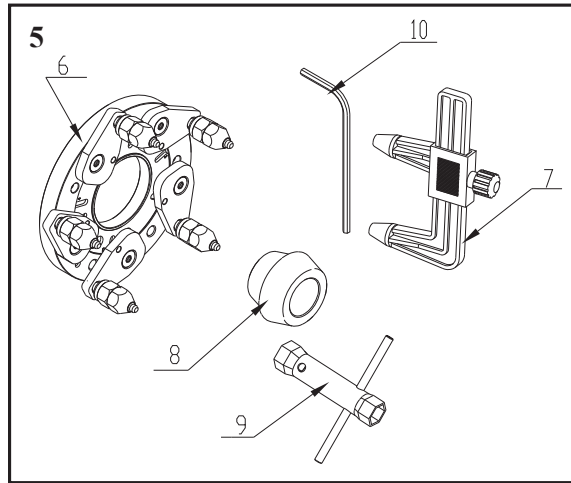
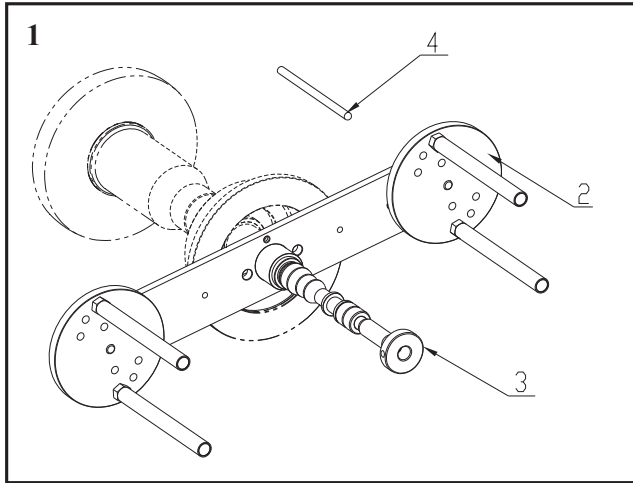
ED. 05/12

ITEM	PART NO.	DESCRIPTION	QTY	REMARK
1	P1-12001W	Cone 44-70	1	
2	P1-12002W	Cone 59-82	1	
3	P1-12003W	Cone 78-111	1	
4	P1-12004W	Cone 85-132	1	
5	P1-50001	Rubber cap	1	
6	P1-50000	Quick nut kit TR40X3	1	
7	P1-50005	Clamping hood	1	
8	P1-50004	Quick nut	1	
9	P1-50008	Spring	1	
10	P1-50009	Washer	1	
11	GB/T845	Self-tapping screw ST3.5X16	4	
12	P1-50002	Nut lever	1	
13	GB/T119.2	Elastic pin 5X35	2	
14	P1-50012	Clamping nut	1	
15	P1-50006	Clamping plate	1	
16	P1-50013	Lever protection	2	
17	GB/T119.2	Elastic pin 5X18	2	
18	P1-50007	Returning spring	1	
19	P1-50003	Nut flange	1	

PANZITTA SALES & SERVICE
72 George Avenue
Wilkes-Barre, PA 18705
570-822-6720 800-822-6720
www.panzittasales.com

OPTIONAL ACCESSORIES

ED. 05/12



OPTIONAL ACCESSORIES

ED. 05/12

ITEM	PART NO.	DESCRIPTION	QTY	REMARK
1	PF-14101	Motorcycle adaptor kit	1	
2	PF-811	Spoke support	1	
3	PF-141	Adaptor kit	1	
4	PF-100001	Gauge extension	1	
5	PF-211	Universal adaptor kit	1	
6	PF-211100	Complete flange	1	
7	PF-211820	Holes detector	1	
8	PF-211831	Pre-centering cone	1	
9	PF-211810	T-hexagonal wrench	1	
10	0511090	Hexagonal elbowed wrench	1	
11	PF-221201	Light truck spacer	1	
12	PF-221202	Light truck cone	1	
13	PF-811101	Support plate	1	
14	PF-811102	Flange	2	
15	PF-811201	Pin	4	
16	PF-811202	Pin protection	4	
17	0209045	Screw M10X35 - GB/T77	4	
18	0203009	Nut M10 – GB/T6170	4	
19	0202061	Screw M10X25 – GB/T70.1	2	
20	0202040	Screw M8X16 – GB/T70.1	2	
21	PF-141101	Balancing shaft	1	
22	PF-141201	M/C cone 1	2	
23	PF-141202	M/C cone 2	2	
24	PF-141301	Spacer 1	1	
25	PF-141302	Spacer 2	1	
26	PF-141303	Spacer 3	1	
27	PF-141304	Spacer 4	2	

PANZITTA SALES & SERVICE
72 George Avenue
Wilkes-Barre, PA 18705
570-822-6720 800-822-6720
www.panzittasales.com

	OPTIONAL ACCESSORIES		ED. 05/12
--	----------------------	--	-----------

28	PF-141305	Spacer 5	2
29	PF-141401	Locking nut	1
30	PF-141402	Spacer	1

PANZITTA SALES & SERVICE
72 George Avenue
Wilkes-Barre, PA 18705
570-822-6720 800-822-6720
www.panzittasales.com