

**PANZITTA SALES & SERVICE**  
72 George Avenue  
Wilkes-Barre, PA 18705  
570-822-6720 800-822-6720  
[www.panzittasales.com](http://www.panzittasales.com)

TAV.0	GENERAL BREAKDOWN	ED. 04/14
-------	-------------------	-----------

ITEM	PART NO.	DESCRIPTION	QTY	REMARK
1	P2-22001	Plastic frame	1	
2	0507136	Control panel	1	
3	P2-22002	Back cover	1	
4	0205004	Washer D.5 - GB/T97.1	10	
5	0206041	Screw M5X12 - GB/T818	6	
6	0208003	Locking washer D.5 - GB/T93	4	
7	0202016	Screw M5X12 - GB/T70.1	4	
8	P2-21200	Panel bracket	1	
9	0202040	Screw M8X16 - GB/T70.1	9	
10	0202093	Screw M8X50 - GB/T70.1	1	
11	P2-21100	Bracket support	1	
12	0202045	Screw M8X20 - GB/T70.1	7	
13	0208006	Locking washer D.8 - GB/T93	13	
14	0205008	Washer D.8 - GB/T97.1	5	
15	P2-20003	Weight tray	1	
16	P1-31181	Power board support	1	
17	0201017	Screw M5X10 - GB/T9074.4	12	
18	0507086	Power board	1	
19	P1-31182	Cooling bracket	1	
20a	0508268	Capacitor 50Hz 20uF/450V	1	
20b	0508269	Capacitor 60HZ 35uF/300V	1	
21a	0503046	Power transformer 220V/30VA	1	
21b	0503062	Power transformer 230V/30VA	1	
21c	0503064	Power transformer 110V/30VA	1	
22a	0503034	Braking transformer 220V/40VA	1	
22b	0503061	Braking transformer 230V/40VA	1	
22c	0503063	Braking transformer 110V/40VA	1	

**PANZITTA SALES & SERVICE**  
**72 George Avenue**  
**Wilkes-Barre, PA 18705**  
**570-822-6720 800-822-6720**  
**www.panzittasales.com**

TAV.0	GENERAL BREAKDOWN	ED. 04/14
-------	-------------------	-----------

23	0203008	Nut M8 - GB52	1
24	0201038	Screw M8X25 - GB/T5783	1
25	0203029	Nut M8 - GB/T6170	1
26	P2-23101	Connection plate	1
27	0201135	Screw M3X8 - GB/T9074.4	4
28	0201149	Isolation pin	4
29	P2-31181	Board support	1
30	0507185	CPU board	1
31	P1-42001	Side cap	1
32	P2-31100A	Casing	1
33	0215028	Self-tapping screw 5.5X25	4
34	P1-31232	Wheel guard spring	1
35	0201030	Screw M8X30 - GB/T5781	2
36	0505006	Power switch 20A	1
37	P1-20001	Plastic front	1
38	P1-22001	Cone holder	3
39	P1-41000B	Distance gauge assembly	1
40	0202032	Screw M6X16 - GB/T70.1	2
41	0208005	Locking washer D.6 - GB/T93	2
42	0205006	Washer D.6 - GB/T97.1	2
43	0207046	Screw M4X10 - GB/T973	3
44	YC1-3002099	Plastic foot	3
45	P1-31231	Bush	2
46	0206014	Screw M5X6 - GB/T818	1
47	P1-31205	Positioning bush	1
48	0209046	Screw M8X10 - GB/T80	2
49	P1-31220	Switch support	1

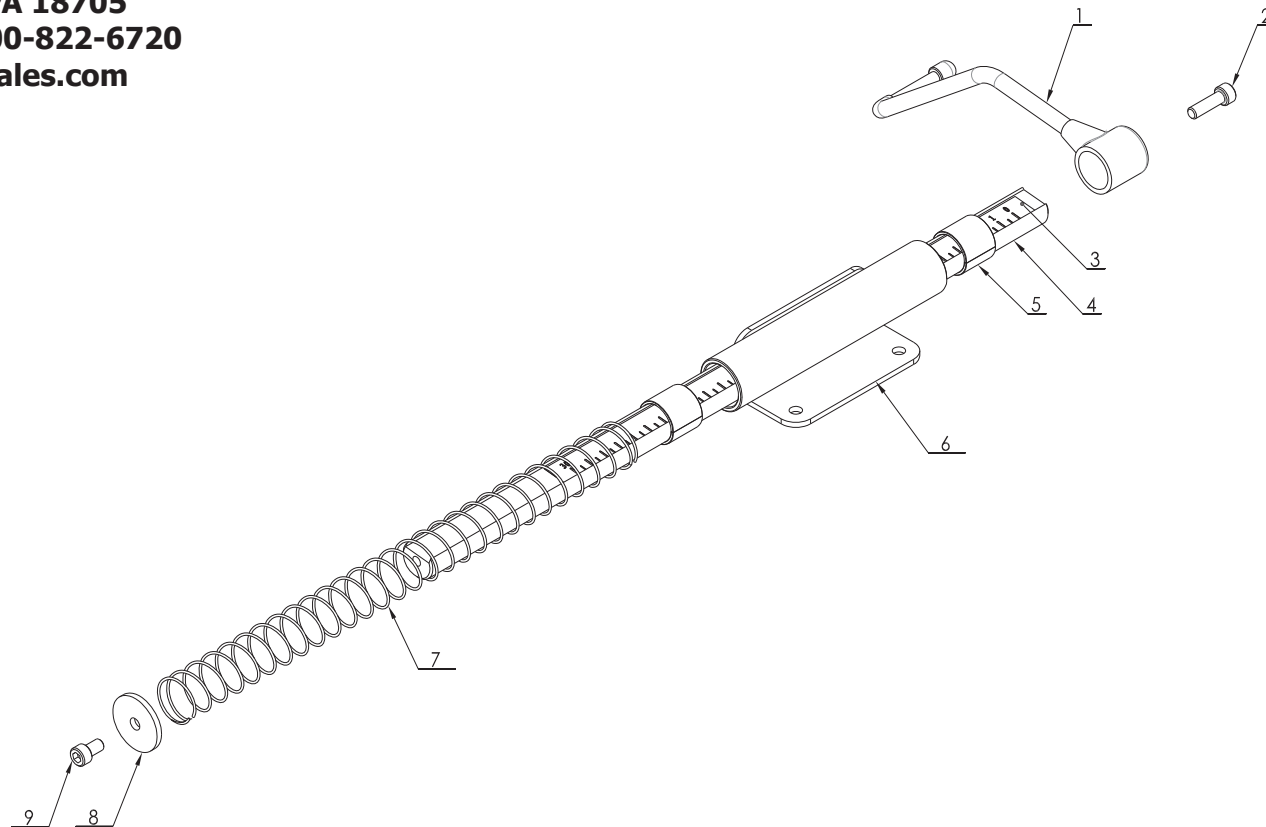
**PANZITTA SALES & SERVICE**  
**72 George Avenue**  
**Wilkes-Barre, PA 18705**  
**570-822-6720 800-822-6720**  
**www.panzittasales.com**

TAV.0	GENERAL BREAKDOWN	ED. 04/14
-------	-------------------	-----------

50	P1-31402	Wheel guard	1
51	P1-31401A	Wheel guard frame	1
52	P1-31210	Wheel guard shaft	1
53	0505017	Limit switch 7311	1
54	P1-31240A	Wheel guard arm	1
55	0202062	Screw M10X30 - GB/T70.1	4
56	0208007	Locking washer D.10 - GB/T93	4
57	0205011	Washer D.10 - GB/T97.1	4
58	P1B-11000	Balancing shaft assembly	1
59	P1-31305	Braking cloth	1
60	0201137	Screw M4X10 - GB/T9074.4	2
61	P1-31307	Connecting rod	1
62	P1-31303	Lever	1
63	P1-31304	Brake	1
64	0203004	Nut M6 - GB/T52	3
65	0205007	Washer D.6 - GB/T96	2
66	P1-31301	Pin	1
67	0213044	Split pin 2X20 - GB/T91	4
68	P1-31302	Brake pedal	1
69	P1-31306	Spring	1
70	0507135	Display board	1

**PANZITTA SALES & SERVICE**  
**72 George Avenue**  
**Wilkes-Barre, PA 18705**  
**570-822-6720 800-822-6720**  
**www.panzittasales.com**

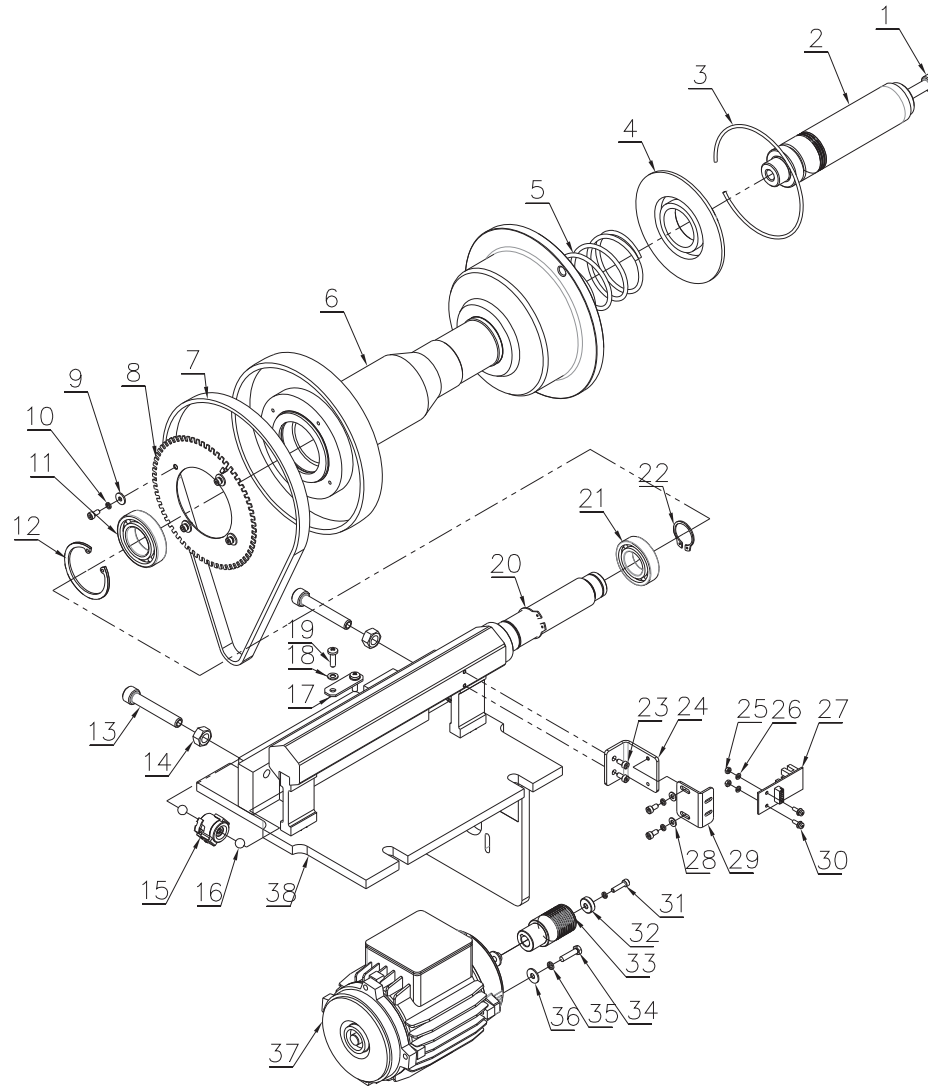
**PANZITTA SALES & SERVICE**  
72 George Avenue  
Wilkes-Barre, PA 18705  
570-822-6720 800-822-6720  
www.panzittasales.com



TAV.39.0	DISTANCE GAUGE ASSEMBLY	ED. 04/14
----------	-------------------------	-----------

ITEM	PART NO.	DESCRIPTION	QTY	REMARK
1	P1-41200B	Index	1	
2	0202033	Screw M6X20 - GB/T70.1	1	
3	P1-41109	Scale decal	1	
4	P1-41101B	Gauge rod	1	
5	0210002	Self-lubricated bush 2020	2	
6	P1-41300	Gauge support	1	
7	P1-41212B	Spring	1	
8	P1-41213B	Washer	1	
9	202030	Screw M6X10 - GB/T70.1	1	

**PANZITTA SALES & SERVICE**  
**72 George Avenue**  
**Wilkes-Barre, PA 18705**  
**570-822-6720 800-822-6720**  
**www.panzittasales.com**



**PANZITTA SALES & SERVICE**  
72 George Avenue  
Wilkes-Barre, PA 18705  
570-822-6720 800-822-6720  
[www.panzittasales.com](http://www.panzittasales.com)

TAV.58.0	BALANCING SHAFT ASSEMBLY	ED. 04/14
----------	--------------------------	-----------

ITEM	PART NO.	DESCRIPTION	QTY	REMARK
1	0202064	Screw M10X160 - GB/T70.1	1	
2	P1-10021	Thread end piece	1	
3	P1-11012	Seeger ring	1	
4	P1-11011	Cover	1	
5	P1-11010	Captured spring	1	
6	P1-10010	Balancing wheel	1	
7	0511049	Drive belt 6-J290	1	
8	P1-11002	Phase disk	1	
9	0205003	Washer D.4 - GB/T96	4	
10	0208002	Locking washer D.4 - GB/T93	7	
11	0214002	Bearing 6006	1	
12	0211006	Seeger D.55	1	
13	P1-11004	Special screw	2	
14	0203011	Nut M10 - GB/T6170	2	
15	0507087	Piezo sensor	2	
16	0215068	Steel ball D.9	4	
17	P1-11013	Fastening plate	1	
18	0205004	Washer D.5 - GB/T97.1	2	
19	0206026	Screw M5X16 - GB/T818	2	
20	0212021	Seeger D.30 - GB/T894.1	1	
21	0214001	Bearing 6005	1	
22	0212004	Seeger D.25 - GB/T894.1	1	
23	0202008	Screw M4X8 - GB/T70.1	8	
24	P10A300001	Support	1	
25	0203001	Nut M3 - GB/T52	2	
26	0205001	Washer D.3 - GB/T97.1	2	
27	0507085	Phase encoder	1	

**PANZITTA SALES & SERVICE**  
**72 George Avenue**  
**Wilkes-Barre, PA 18705**  
**570-822-6720 800-822-6720**  
**www.panzittasales.com**



TAV.58.0

## BALANCING SHAFT ASSEMBLY

ED. 04/14

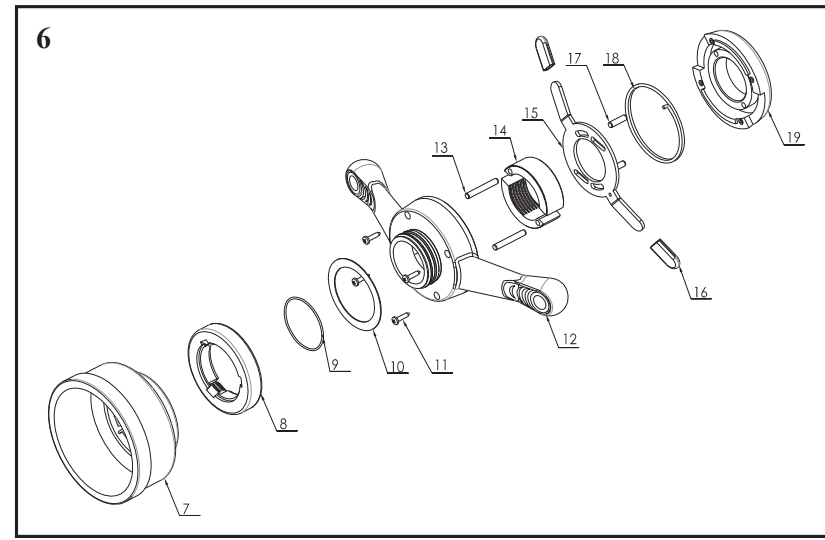
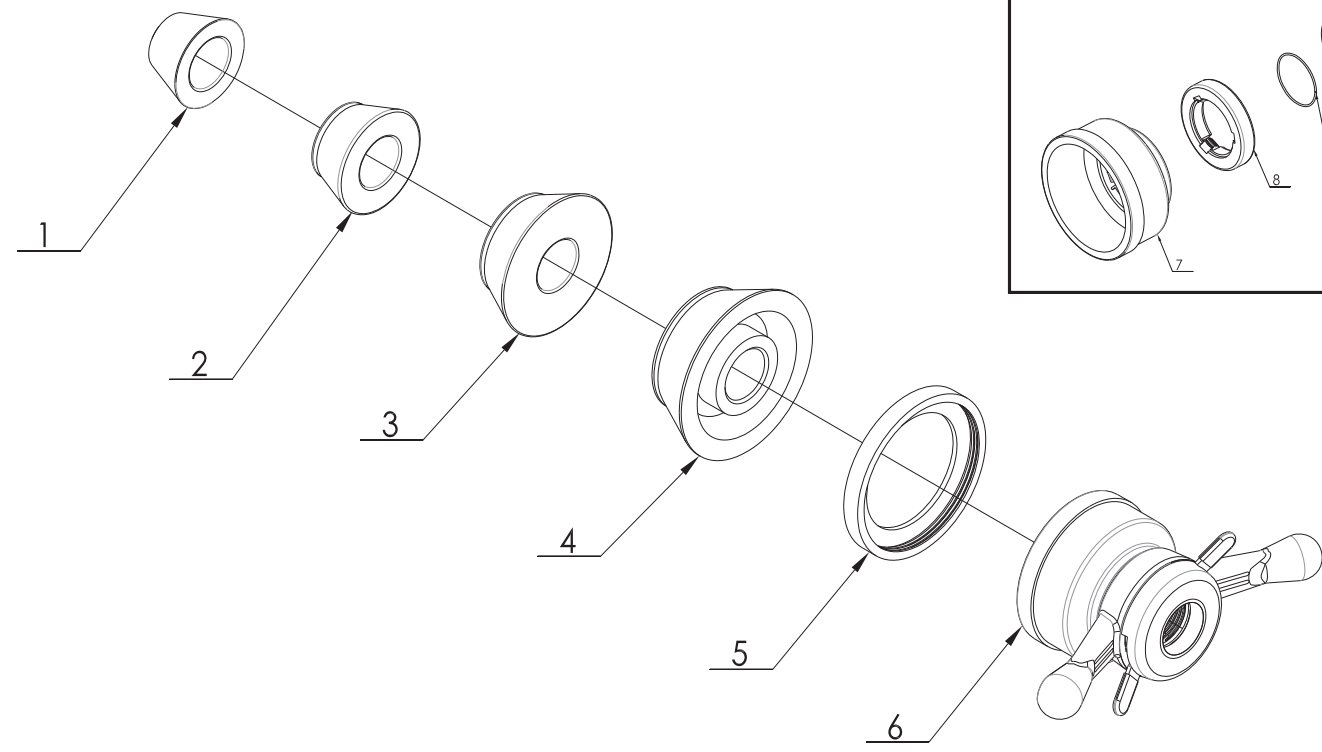
28	0205002	Washer D.4 - GB/T97.1	2
29	P1-11005	Encoder support	1
30	0201136	Screw M3X10 - GB/T9074.4	2
31	0202011	Screw M4X16 - GB/T70.1	1
32	P1-11007Y	Washer	1
33	P1-11003Y	Motor pulley	1
34	0201115	Screw M5X20 - GB/T5781	4
35	0208003	Locking washer D.5 - GB/T93	4
36	0205005	Washer D.5 - GB/T96	4
37a	0509008	Motor 220V/50Hz 0.18KW	1
37b	0509022	Motor 220V/60Hz 0.18KW	1
37c	0509082	Motor 230V/50Hz 0.18KW	1
37d	0509083	Motor 110V/60Hz 0.18KW	1
38	P1B-11100	Complete shaft	1

**PANZITTA SALES & SERVICE**  
**72 George Avenue**  
**Wilkes-Barre, PA 18705**  
**570-822-6720 800-822-6720**  
**[www.panzittasales.com](http://www.panzittasales.com)**

STANDARD ACCESSORIES

ED. 04/14

**PANZITTA SALES & SERVICE**  
72 George Avenue  
Wilkes-Barre, PA 18705  
570-822-6720 800-822-6720  
www.panzittasales.com



STANDARD ACCESSORIES

ED. 04/14

ITEM	PART NO.	DESCRIPTION	QTY	REMARK
1	P1-12001W	Cone 44-70	1	<p><b>PANZITTA SALES &amp; SERVICE</b>  <b>72 George Avenue</b>  <b>Wilkes-Barre, PA 18705</b>  <b>570-822-6720 800-822-6720</b>  <b>www.panzittasales.com</b></p>
2	P1-12002W	Cone 59-82	1	
3	P1-12003W	Cone 78-111	1	
4	P1-12004W	Cone 85-132	1	
5	P1-50001	Rubber cap	1	
6	P1-50000	Quick nut kit TR40X3	1	
7	P1-50005	Clamping hood	1	
8	P1-50004	Quick nut	1	
9	P1-50008	Spring	1	
10	P1-50009	Washer	1	
11	0207058	Self-tapping screw ST3.5X16	4	
12	P1-50002	Handle	1	
13	0213074	Elastic pin 5X35	2	
14	P1-50012	Clamp	1	
15	P1-50006	Clamping plate	1	
16	P1-50013	Plastic cover	2	
17	0213085	Pin 5X18 - GB/T119.2	2	
18	P1-50007	Returning spring	1	
19	P1-50003	Nut flange	1	