

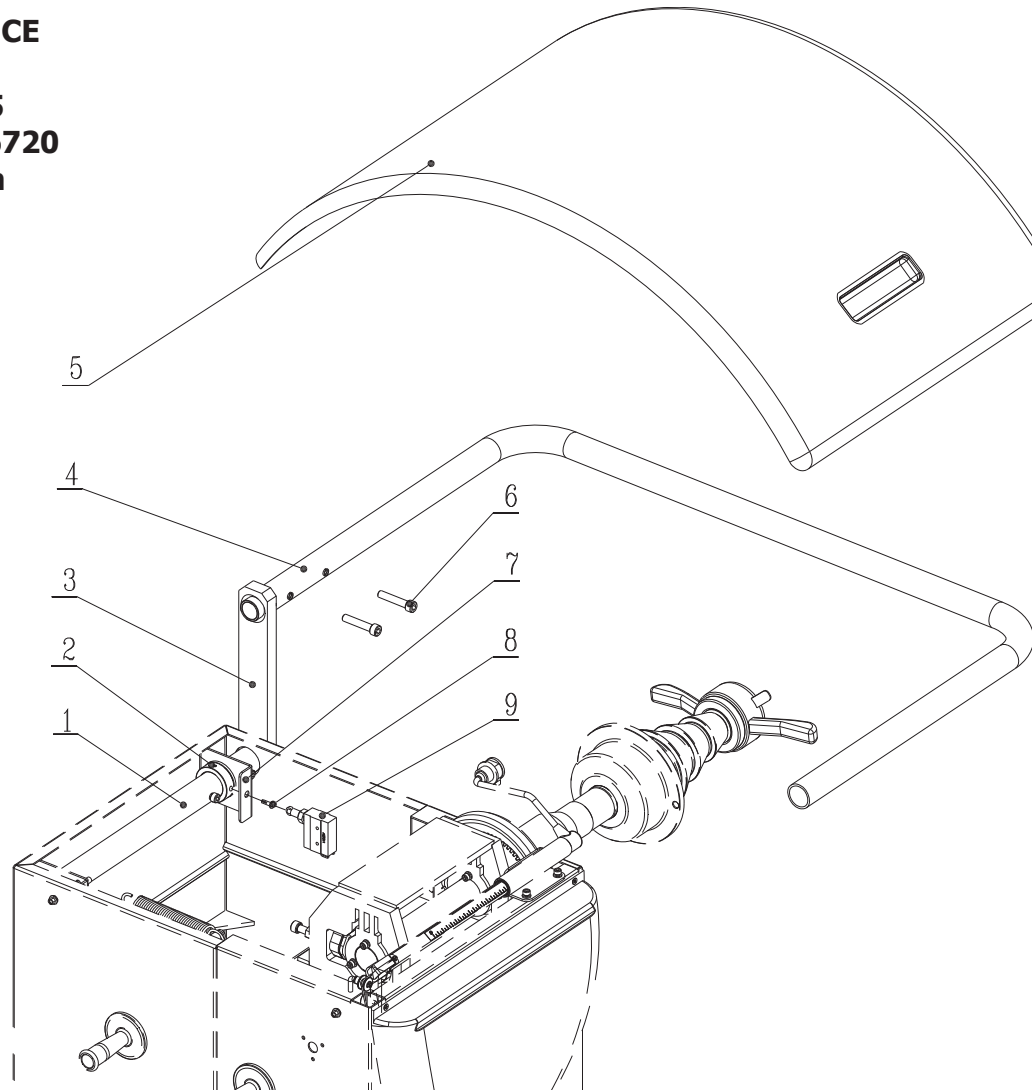
**PANZITTA SALES & SERVICE**  
72 George Avenue  
Wilkes-Barre, PA 18705  
570-822-6720 800-822-6720  
[www.panzittasales.com](http://www.panzittasales.com)

|         |               |  |  |           |
|---------|---------------|--|--|-----------|
| TAV.1.0 | CONTROL PANEL |  |  | ED. 11/11 |
|---------|---------------|--|--|-----------|

| ITEM | PART NO. | DESCRIPTION                 | QTY | REMARK |
|------|----------|-----------------------------|-----|--------|
| 1    | 0507088  | Control panel               | 1   |        |
| 2    | 0507083  | Computer board              | 1   |        |
| 3    | P1-20002 | Weight tray                 | 1   |        |
| 4    | 0215028  | Self-tapping screw M5.5X2.5 | 4   |        |

**PANZITTA SALES & SERVICE**  
**72 George Avenue**  
**Wilkes-Barre, PA 18705**  
**570-822-6720 800-822-6720**  
**[www.panzittasales.com](http://www.panzittasales.com)**

**PANZITTA SALES & SERVICE**  
72 George Avenue  
Wilkes-Barre, PA 18705  
570-822-6720 800-822-6720  
www.panzittasales.com

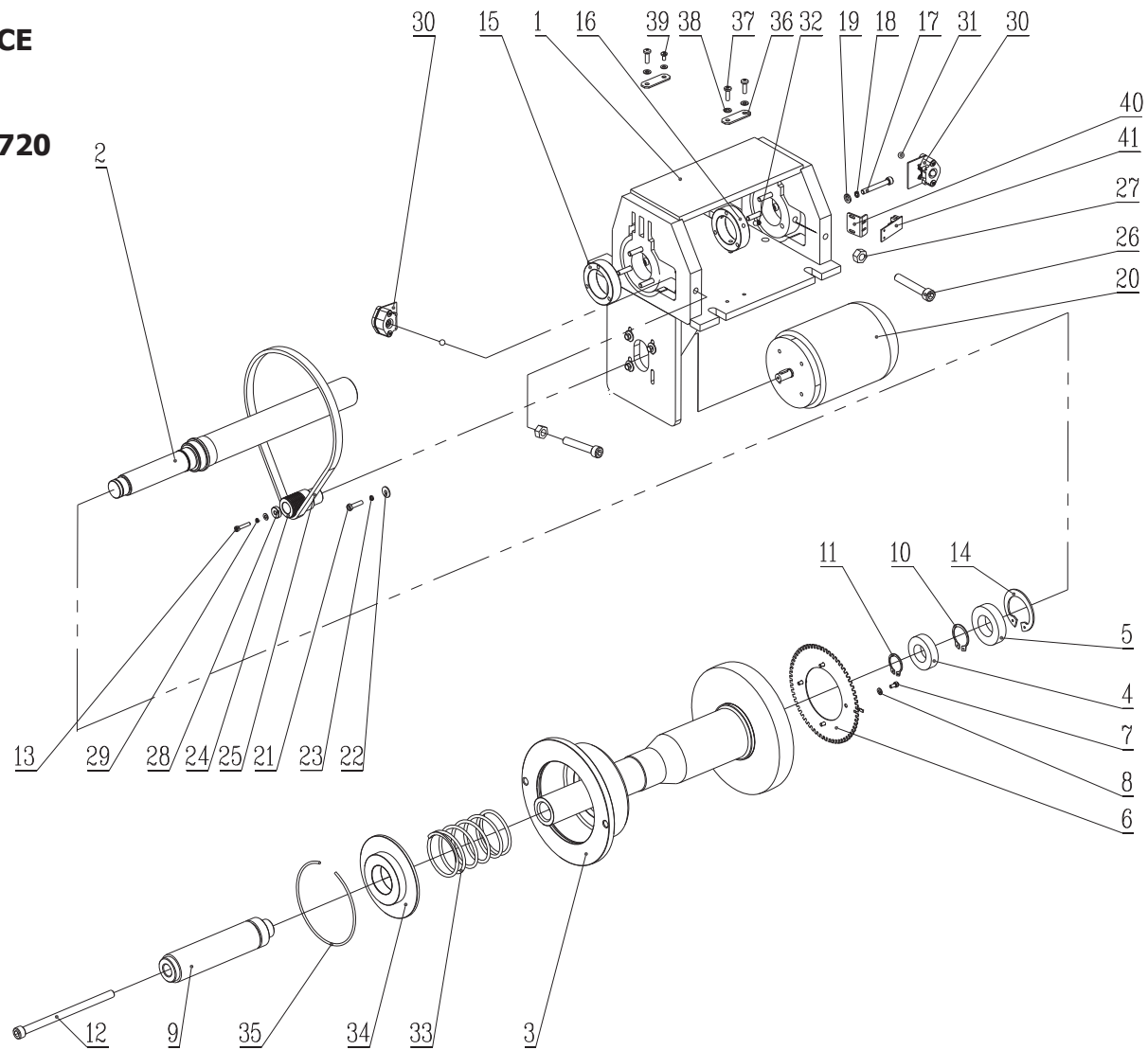


|         |             |  |  |           |
|---------|-------------|--|--|-----------|
| TAV.2.0 | WHEEL GUARD |  |  | ED. 11/11 |
|---------|-------------|--|--|-----------|

| ITEM | PART NO. | DESCRIPTION            | QTY | REMARK |
|------|----------|------------------------|-----|--------|
| 1    | P1-31211 | Swivel                 | 1   |        |
| 2    | P1-31205 | Bush                   | 1   |        |
| 3    | P1-31242 | Guard arm              | 1   |        |
| 4    | P1-31401 | Guard support          | 1   |        |
| 5    | P1-31402 | Wheel guard            | 1   |        |
| 6    | 0202040  | Screw M8X16 - GB/T70.1 | 4   |        |
| 7    | P1-31221 | Switch support         | 1   |        |
| 8    | 0206014  | Screw M5X6 - GB/T 818  | 1   |        |
| 9    | 0505017  | Micro switch 7311      | 1   |        |

**PANZITTA SALES & SERVICE**  
**72 George Avenue**  
**Wilkes-Barre, PA 18705**  
**570-822-6720 800-822-6720**  
**[www.panzittasales.com](http://www.panzittasales.com)**

**PANZITTA SALES & SERVICE**  
72 George Avenue  
Wilkes-Barre, PA 18705  
570-822-6720 800-822-6720  
www.panzittasales.com



|         |                 |           |
|---------|-----------------|-----------|
| TAV.3.0 | BALANCING SHAFT | ED. 11/11 |
|---------|-----------------|-----------|

| ITEM | PART NO.  | DESCRIPTION                | QTY | REMARK |
|------|-----------|----------------------------|-----|--------|
| 1    | P1-11100  | Shaft support              | 1   |        |
| 2    | P1-11001  | Balancing shaft            | 1   |        |
| 3    | P1-10010  | Balancing wheel            | 1   |        |
| 4    | 0214001   | Bearing 6005 - GB276       | 1   |        |
| 5    | 0214002   | Bearing 6006 - GB276       | 1   |        |
| 6    | P1-11002  | Encoder phase disk         | 1   |        |
| 7    | 0202008   | Screw M4X8 - GB/T70.1      | 4   |        |
| 8    | 0205002   | Washer D.4 - GB/T97.1      | 6   |        |
| 9    | P1-10021  | Thread end piece           | 1   |        |
| 10   | 0212021   | Seeger D.30 - GB/T894.2    | 1   |        |
| 11   | 0212004   | Seeger D.25 - GB/T894.2    | 1   |        |
| 12   | 0202064   | Screw M10X160 - GB/T70.1   | 1   |        |
| 13   | 0202001   | Screw M4X20 - GB/T70.1     | 1   |        |
| 14   | 0211006   | Seeger D.55 - GB/T893.2    | 1   |        |
| 15   | P1-11014  | Bush                       | 1   |        |
| 16   | P1-11015  | Bush                       | 1   |        |
| 17   | 0202028   | Screw M6X45 - GB/T70.1     | 6   |        |
| 18   | 0208005   | Spring washer D.6 - GB/T93 | 6   |        |
| 19   | 0205006   | Washer D.6 - GB/T97.1      | 6   |        |
| 20a  | 0509008   | Motor 220V/50Hz 0.18KW     | 1   |        |
| 20b  | 0509022   | Motor 220V/60Hz 0.18KW     | 1   |        |
| 20c  | 0509082   | Motor 230V/50Hz 0.18KW     | 1   |        |
| 20d  | 0509083   | Motor 110V/60Hz 0.18KW     | 1   |        |
| 21   | 0201115   | Screw M5X20 - GB/T5781     | 4   |        |
| 22   | 0205005   | Washer D.5 - GB/T96        | 4   |        |
| 23   | 0208003   | Spring washer D.5 - GB/T93 | 4   |        |
| 24   | P1-11003Y | Drive pulley               | 1   |        |

**PANZITTA SALES & SERVICE**  
**72 George Avenue**  
**Wilkes-Barre, PA 18705**  
**570-822-6720 800-822-6720**  
**[www.panzittasales.com](http://www.panzittasales.com)**

TAV.3.0

BALANCING SHAFT

ED. 11/11

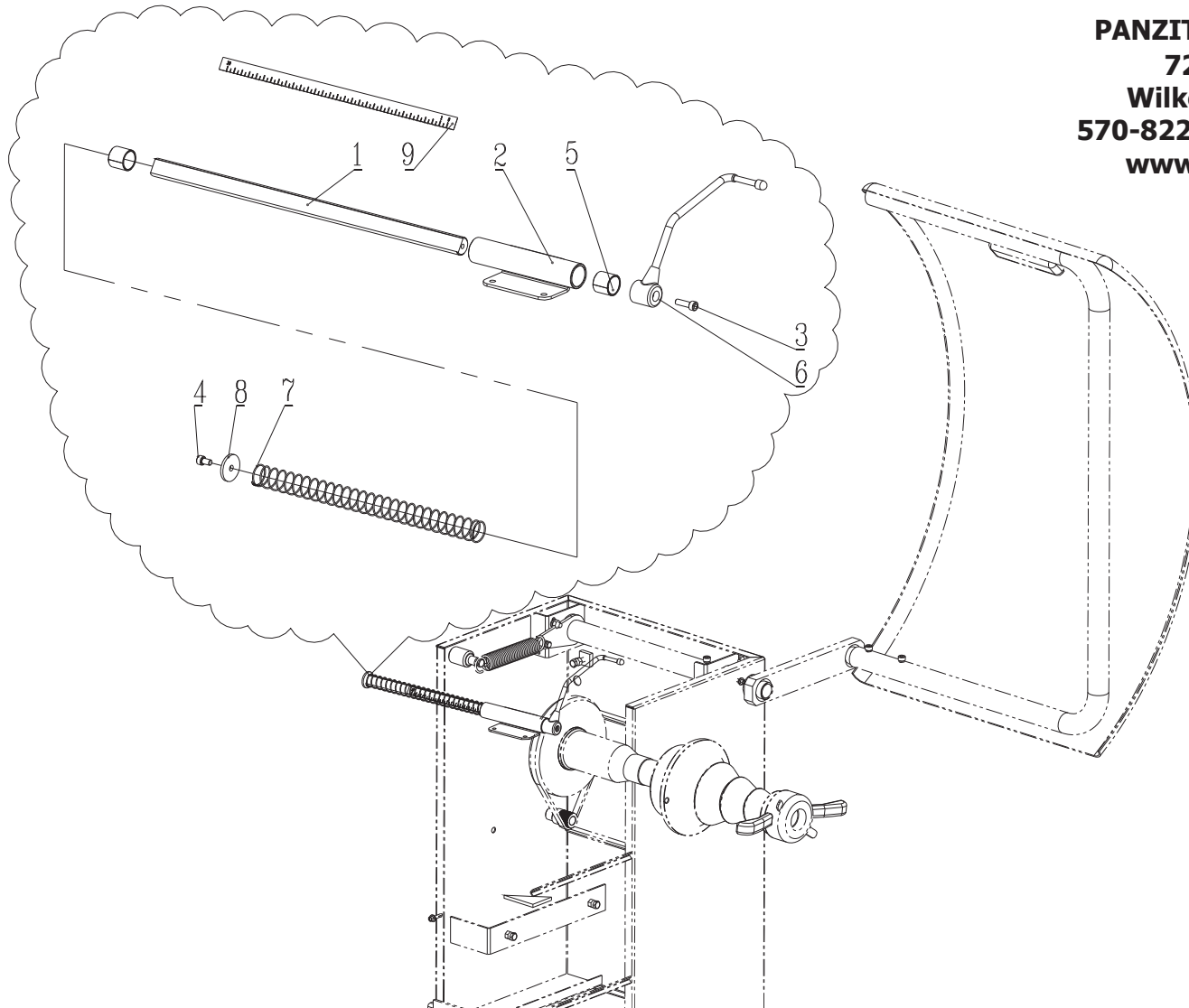
|    |           |                            |   |
|----|-----------|----------------------------|---|
| 25 | 0511049   | Drive belt                 | 1 |
| 26 | P1-11004  | Special screw M10X60       | 2 |
| 27 | 0203009   | Nut M10 - GB/6170          | 2 |
| 28 | P1-11007Y | Pulley cap                 | 1 |
| 29 | 0208002   | Spring washer D.4 - GB/T93 | 1 |
| 30 | P1-11200  | Piezo sensor               | 2 |
| 31 | 0215038   | Steel ball D.8             | 4 |
| 32 | 0209002   | Screw M6X10 - GB/T80       | 3 |
| 33 | P1-11010  | Captured spring            | 1 |
| 34 | P1-11011  | Cover                      | 1 |
| 35 | P1-11012  | Spring                     | 1 |
| 36 | P1-11013  | Fastening plate            | 1 |
| 37 | 0206026   | Screw M5X16 - GB/818       | 2 |
| 38 | 0205004   | Washer D.5 - GB/T97.1      | 3 |
| 39 | 0206023   | Screw M4X8 - GB/818        | 1 |
| 40 | P1-11005  | Encoder support            | 1 |
| 41 | 0507085   | Phase encoder              | 1 |

**PANZITTA SALES & SERVICE**  
**72 George Avenue**  
**Wilkes-Barre, PA 18705**  
**570-822-6720 800-822-6720**  
**[www.panzittasales.com](http://www.panzittasales.com)**

TAV.4.0

DISTANCE GAUGE

ED. 11/11



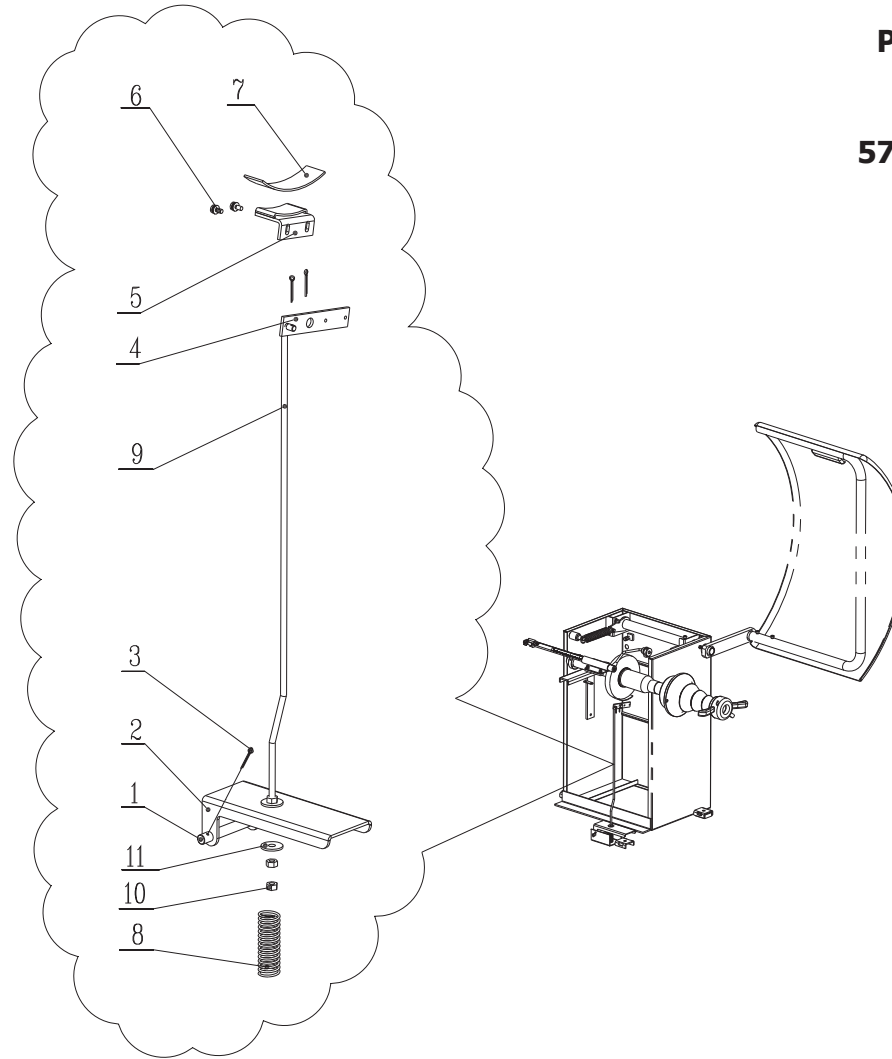
**PANZITTA SALES & SERVICE**  
**72 George Avenue**  
**Wilkes-Barre, PA 18705**  
**570-822-6720 800-822-6720**  
**[www.panzittasales.com](http://www.panzittasales.com)**



|         |                |           |
|---------|----------------|-----------|
| TAV.4.0 | DISTANCE GAUGE | ED. 11/11 |
|---------|----------------|-----------|

| ITEM | PART NO.  | DESCRIPTION               | QTY | REMARK |
|------|-----------|---------------------------|-----|--------|
| 1    | P1-41101B | Gauge rod                 | 1   |        |
| 2    | P1-41300  | Gauge support             | 1   |        |
| 3    | 0202033   | Screw M6X20 - GB/T70.1    | 1   |        |
| 4    | 0202030   | Screw M6X10 - GB/T70.1    | 1   |        |
| 5    | 0210002   | Self-lubricated bush 2020 | 2   |        |
| 6    | P1-41200B | Gauge index               | 1   |        |
| 7    | P1-41212B | Spring                    | 1   |        |
| 8    | P1-41213B | Washer                    | 1   |        |
| 9    | P1-41109  | Scale decal               | 1   |        |

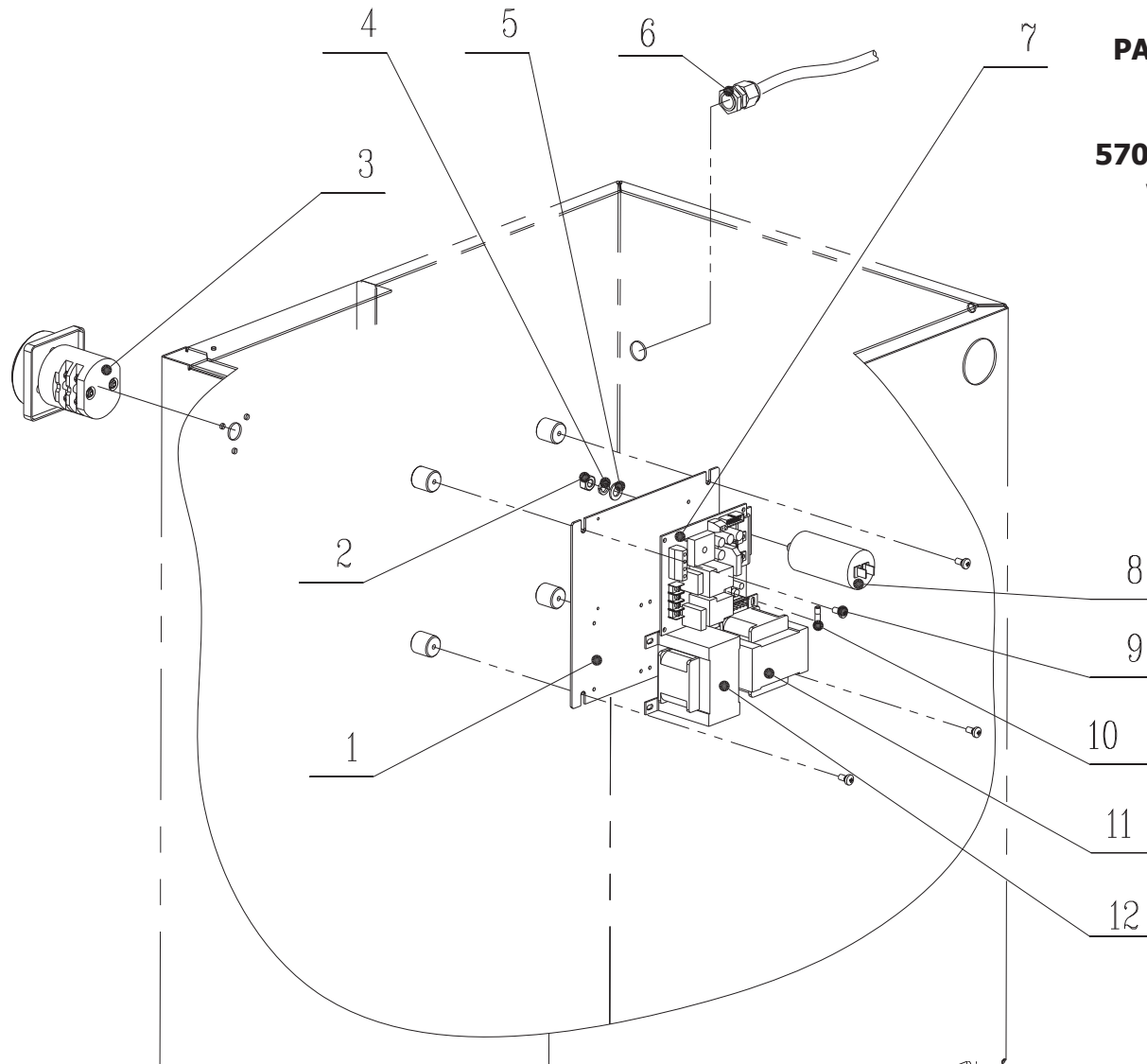
**PANZITTA SALES & SERVICE**  
**72 George Avenue**  
**Wilkes-Barre, PA 18705**  
**570-822-6720 800-822-6720**  
**[www.panzittasales.com](http://www.panzittasales.com)**



**PANZITTA SALES & SERVICE**  
**72 George Avenue**  
**Wilkes-Barre, PA 18705**  
**570-822-6720 800-822-6720**  
**[www.panzittasales.com](http://www.panzittasales.com)**

|         |            |           |
|---------|------------|-----------|
| TAV.5.0 | FOOT BRAKE | ED. 11/11 |
|---------|------------|-----------|

| ITEM | PART NO. | DESCRIPTION              | QTY | REMARK   |
|------|----------|--------------------------|-----|--|
| 1    | P1-31301 | Pin                      | 1   |  |
| 2    | P1-31302 | Brake pedal              | 1   |  |
| 3    | 0213044  | Split pin 2X20 - GB/T91  | 4   | <p><b>PANZITTA SALES &amp; SERVICE</b><br/> <b>72 George Avenue</b><br/> <b>Wilkes-Barre, PA 18705</b><br/> <b>570-822-6720 800-822-6720</b><br/> <b>www.panzittasales.com</b></p> |
| 4    | P1-31303 | Lever                    | 1   |  |
| 5    | P1-31304 | Brake                    | 1   |  |
| 6    | 0201137  | Screw M4X10 - GB/T9074.4 | 4   |  |
| 7    | P1-31305 | Brake cloth              | 1   |  |
| 8    | P1-31306 | Spring                   | 1   |  |
| 9    | P1-31307 | Connecting rod           | 1   |  |
| 10   | 0203004  | Nut M6 - GB/T6170        | 3   |  |
| 11   | 0205007  | Washer D.6 - GB/T5287    | 2   |  |



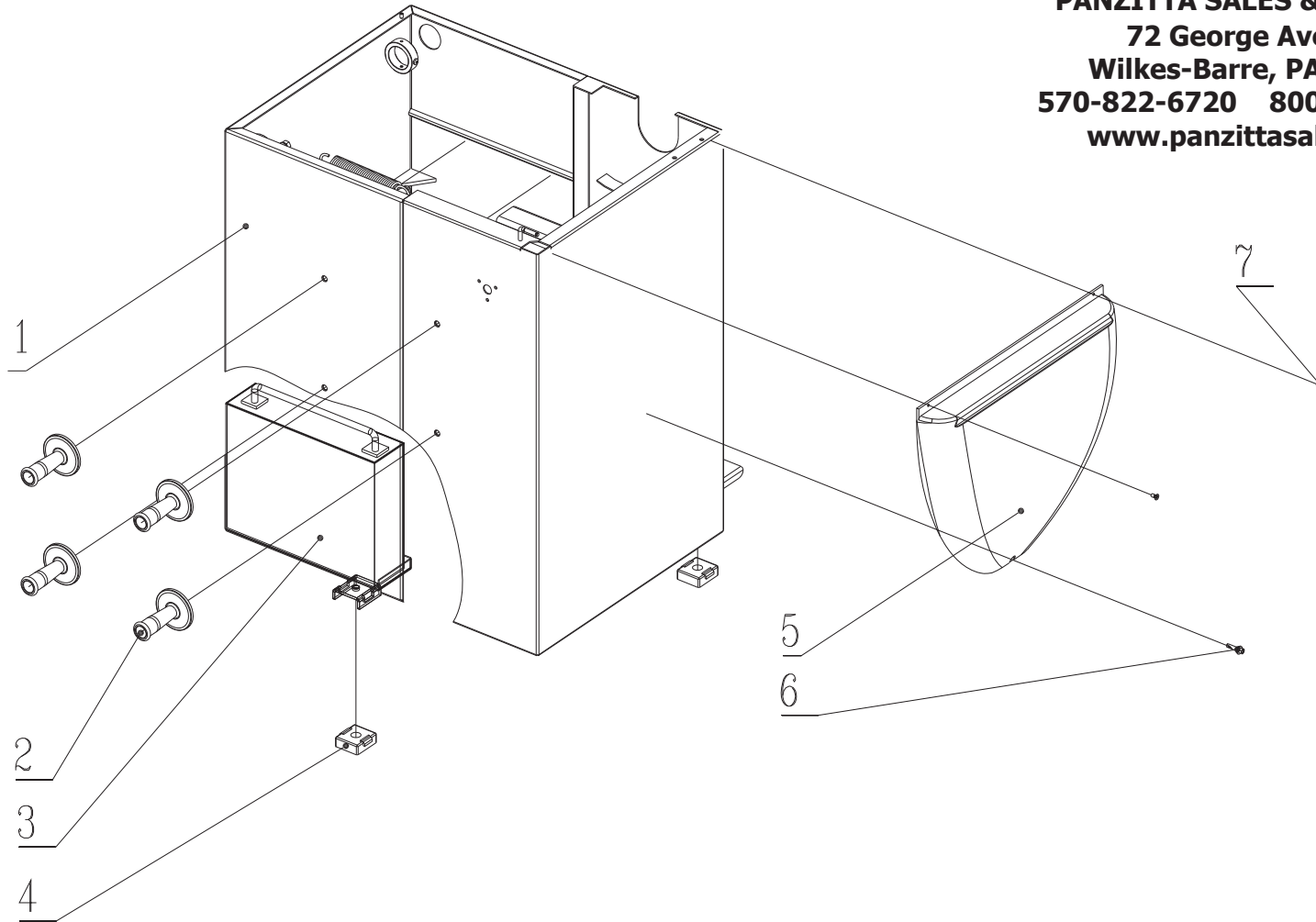
**PANZITTA SALES & SERVICE**  
72 George Avenue  
Wilkes-Barre, PA 18705  
570-822-6720 800-822-6720  
[www.panzittasales.com](http://www.panzittasales.com)

|         |             |           |
|---------|-------------|-----------|
| TAV.6.0 | POWER BOARD | ED. 11/11 |
|---------|-------------|-----------|

| ITEM | PART NO. | DESCRIPTION                   | QTY | REMARK |
|------|----------|-------------------------------|-----|--------|
| 1    | P1-31181 | Board support                 | 1   |        |
| 2    | 0203019  | Nut M18 - GB/T6170            | 1   |        |
| 3    | 0505006  | Power switch 20A              | 1   |        |
| 4    | 0208006  | Spring washer D.8 - GB/T93    | 1   |        |
| 5    | 0205008  | Washer D.8 - GB/T97.1         | 1   |        |
| 6    | 0507115  | Cable holder M18              | 1   |        |
| 7    | 0507086  | Power board                   | 1   |        |
| 8a   | 0507110  | Capacitor 50Hz 20VF/450V      | 1   |        |
| 8b   | 0507112  | Capacitor 60HZ 35V/300V       | 1   |        |
| 9    | 0206024  | Screw M5X10 - GB/T819.1       | 4   |        |
| 10   | 0504010  | Fuse 2A                       | 1   |        |
| 11a  | 0503046  | Power transformer 220V/30VA   | 1   |        |
| 11b  | 0503062  | Power transformer 230V/30VA   | 1   |        |
| 11c  | 0503064  | Power transformer 110V/30VA   | 1   |        |
| 12a  | 0503034  | Braking transformer 220V/40VA | 1   |        |
| 12b  | 0503061  | Braking transformer 230V/40VA | 1   |        |
| 12c  | 0503063  | Braking transformer 110V/40VA | 1   |        |

**PANZITTA SALES & SERVICE**  
**72 George Avenue**  
**Wilkes-Barre, PA 18705**  
**570-822-6720 800-822-6720**  
**www.panzittasales.com**

**PANZITTA SALES & SERVICE**  
72 George Avenue  
Wilkes-Barre, PA 18705  
570-822-6720 800-822-6720  
[www.panzittasales.com](http://www.panzittasales.com)

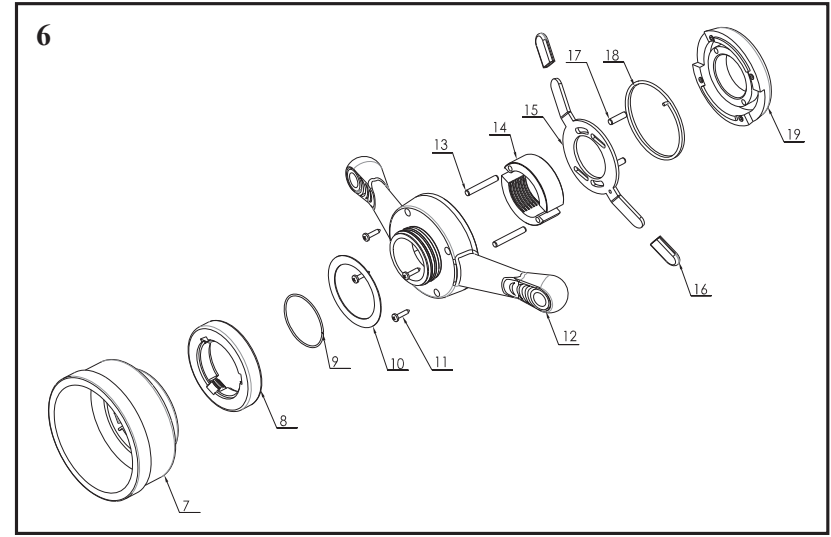
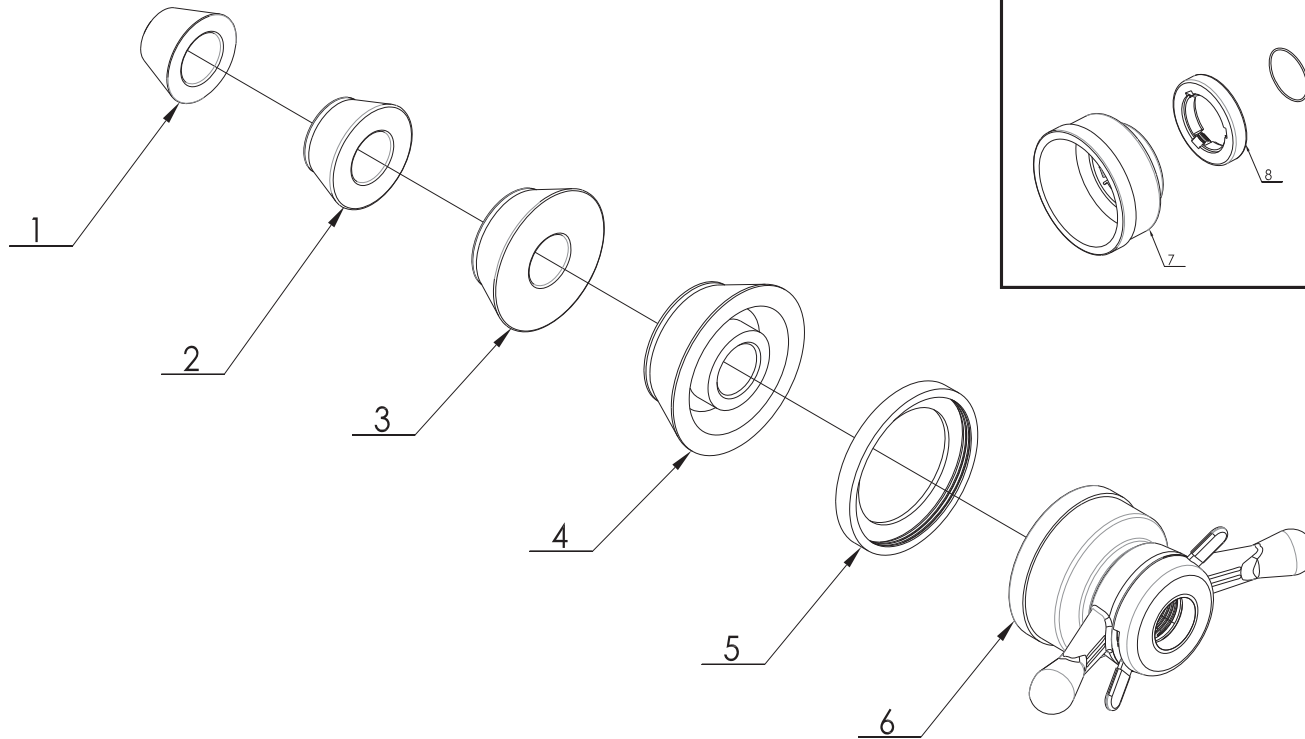


|         |      |           |
|---------|------|-----------|
| TAV.7.0 | BODY | ED. 11/11 |
|---------|------|-----------|

| ITEM | PART NO.    | DESCRIPTION                 | QTY | REMARK |
|------|-------------|-----------------------------|-----|--------|
| 1    | P1-31100    | Body                        | 1   |        |
| 2    | P1-22001    | Cone holder                 | 4   |        |
| 3    | P1-23101    | Counterweight               | 1   |        |
| 4    | YC1-3002099 | Plastic foot                | 2   |        |
| 5    | P1-20001    | Front panel                 | 1   |        |
| 6    | 0215028     | Self-tapping screw M5.5X2.5 | 1   |        |
| 7    | 0207008     | Screw M5X10 - GB/T819.1     | 2   |        |

**PANZITTA SALES & SERVICE**  
**72 George Avenue**  
**Wilkes-Barre, PA 18705**  
**570-822-6720 800-822-6720**  
**www.panzittasales.com**

**PANZITTA SALES & SERVICE**  
72 George Avenue  
Wilkes-Barre, PA 18705  
570-822-6720 800-822-6720  
[www.panzittasales.com](http://www.panzittasales.com)





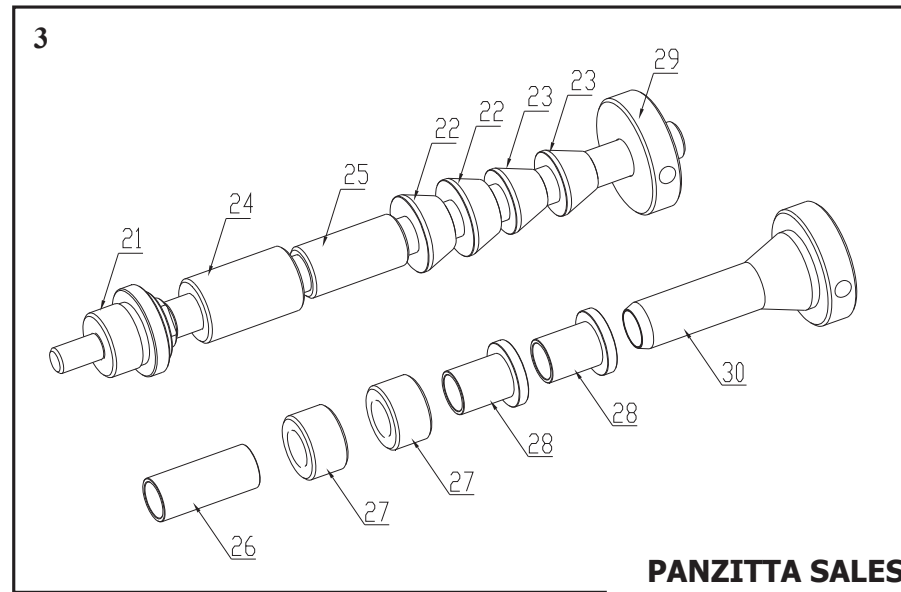
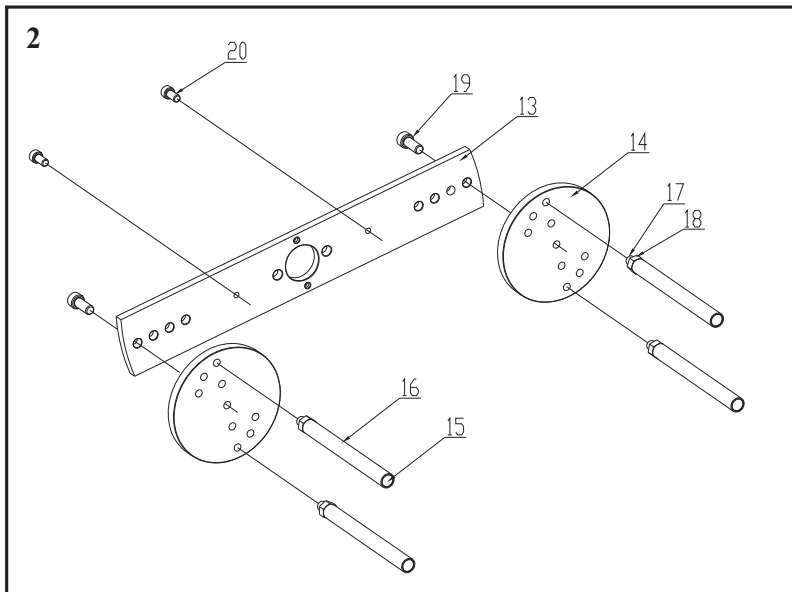
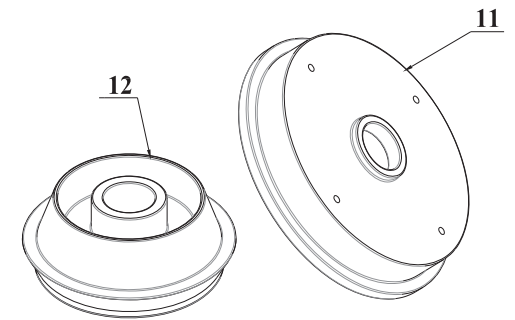
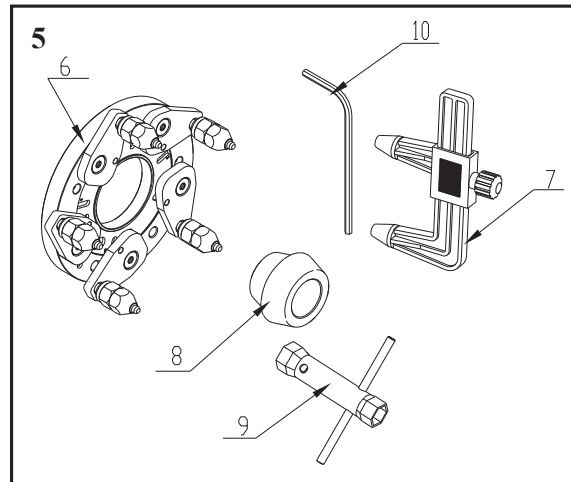
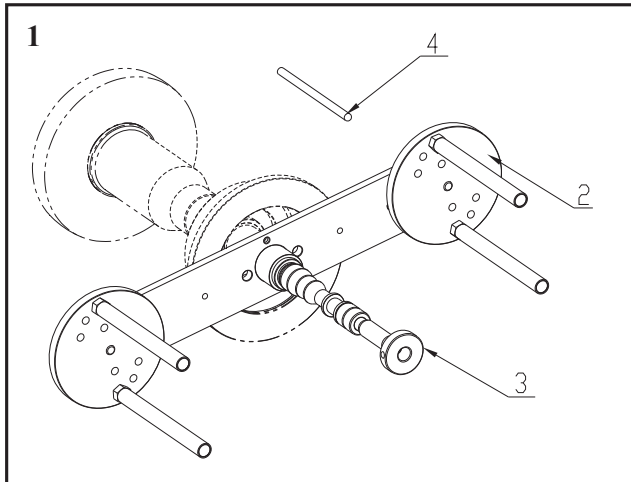
|         |                      |           |
|---------|----------------------|-----------|
| TAV.9.0 | STANDARD ACCESSORIES | ED. 11/11 |
|---------|----------------------|-----------|

| ITEM | PART NO.  | DESCRIPTION                 | QTY | REMARK  |
|------|-----------|-----------------------------|-----|---|
| 1    | P1-12001W | Cone 44-70                  | 1   | <b>PANZITTA SALES &amp; SERVICE</b><br><b>72 George Avenue</b><br><b>Wilkes-Barre, PA 18705</b><br><b>570-822-6720 800-822-6720</b><br><b>www.panzittasales.com</b> |
| 2    | P1-12002W | Cone 59-82                  | 1   |   |
| 3    | P1-12003W | Cone 78-111                 | 1   |   |
| 4    | P1-12004W | Cone 85-132                 | 1   |   |
| 5    | P1-50001  | Rubber cap                  | 1   |   |
| 6    | P1-50000  | Quick nut kit TR40X3        | 1   |   |
| 7    | P1-50005  | Clamping hood               | 1   |   |
| 8    | P1-50004  | Quick nut                   | 1   |   |
| 9    | P1-50008  | Spring                      | 1   |   |
| 10   | P1-50009  | Washer                      | 1   |   |
| 11   | GB/T845   | Self-tapping screw ST3.5X16 | 4   |   |
| 12   | P1-50002  | Nut lever                   | 1   |   |
| 13   | GB/T119.2 | Elastic pin 5X35            | 2   |   |
| 14   | P1-50012  | Clamping nut                | 1   |   |
| 15   | P1-50006  | Clamping plate              | 1   |   |
| 16   | P1-50013  | Lever protection            | 2   |   |
| 17   | GB/T119.2 | Elastic pin 5X18            | 2   |   |
| 18   | P1-50007  | Returning spring            | 1   |   |
| 19   | P1-50003  | Nut flange                  | 1   |   |

TAV.10.0

OPTIONAL ACCESSORIES

ED. 11/11



**PANZITTA SALES & SERVICE**  
72 George Avenue  
Wilkes-Barre, PA 18705  
570-822-6720 800-822-6720  
[www.panzittasales.com](http://www.panzittasales.com)

|          |                      |           |
|----------|----------------------|-----------|
| TAV.10.0 | OPTIONAL ACCESSORIES | ED. 11/11 |
|----------|----------------------|-----------|

| ITEM | PART NO.  | DESCRIPTION              | QTY | REMARK |
|------|-----------|--------------------------|-----|--------|
| 1    | PF-14101  | Motorcycle adaptor kit   | 1   |        |
| 2    | PF-811    | Spoke support            | 1   |        |
| 3    | PF-141    | Adaptor kit              | 1   |        |
| 4    | PF-100001 | Gauge extension          | 1   |        |
| 5    | PF-211    | Universal adaptor kit    | 1   |        |
| 6    | PF-211100 | Complete flange          | 1   |        |
| 7    | PF-211820 | Holes detector           | 1   |        |
| 8    | PF-211831 | Pre-centering cone       | 1   |        |
| 9    | PF-211810 | T-hexagonal wrench       | 1   |        |
| 10   | 0511090   | Hexagonal elbowed wrench | 1   |        |
| 11   | PF-221201 | Light truck spacer       | 1   |        |
| 12   | PF-221202 | Light truck cone         | 1   |        |
| 13   | PF-811101 | Support plate            | 1   |        |
| 14   | PF-811102 | Flange                   | 2   |        |
| 15   | PF-811201 | Pin                      | 4   |        |
| 16   | PF-811202 | Pin protection           | 4   |        |
| 17   | 0209045   | Screw M10X35 - GB/T77    | 4   |        |
| 18   | 0203009   | Nut M10 – GB/T6170       | 4   |        |
| 19   | 0202061   | Screw M10X25 – GB/T70.1  | 2   |        |
| 20   | 0202040   | Screw M8X16 – GB/T70.1   | 2   |        |
| 21   | PF-141101 | Balancing shaft          | 1   |        |
| 22   | PF-141201 | M/C cone 1               | 2   |        |
| 23   | PF-141202 | M/C cone 2               | 2   |        |
| 24   | PF-141301 | Spacer 1                 | 1   |        |
| 25   | PF-141302 | Spacer 2                 | 1   |        |
| 26   | PF-141303 | Spacer 3                 | 1   |        |
| 27   | PF-141304 | Spacer 4                 | 2   |        |

**PANZITTA SALES & SERVICE**  
**72 George Avenue**  
**Wilkes-Barre, PA 18705**  
**570-822-6720 800-822-6720**  
**[www.panzittasales.com](http://www.panzittasales.com)**

|          |                      |           |
|----------|----------------------|-----------|
| TAV.10.0 | OPTIONAL ACCESSORIES | ED. 11/11 |
|----------|----------------------|-----------|

|    |           |             |   |
|----|-----------|-------------|---|
| 28 | PF-141305 | Spacer 5    | 2 |
| 29 | PF-141401 | Locking nut | 1 |
| 30 | PF-141402 | Spacer      | 1 |

**PANZITTA SALES & SERVICE**  
**72 George Avenue**  
**Wilkes-Barre, PA 18705**  
**570-822-6720 800-822-6720**  
**[www.panzittasales.com](http://www.panzittasales.com)**