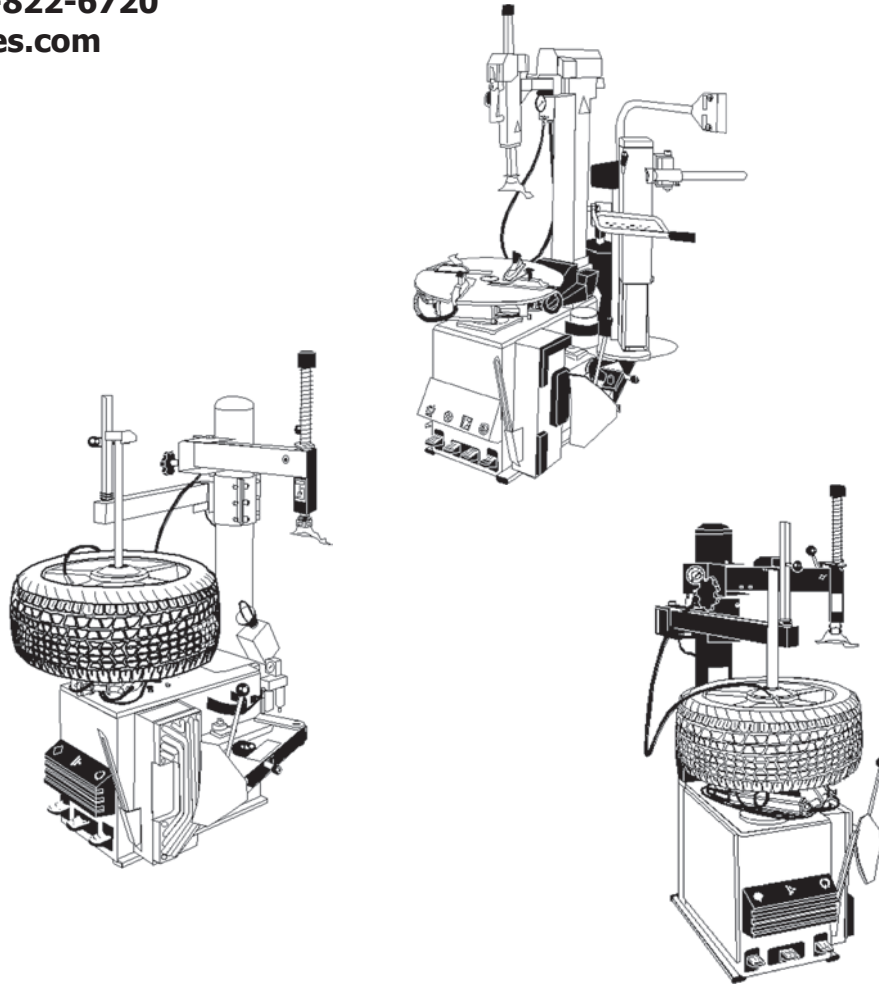




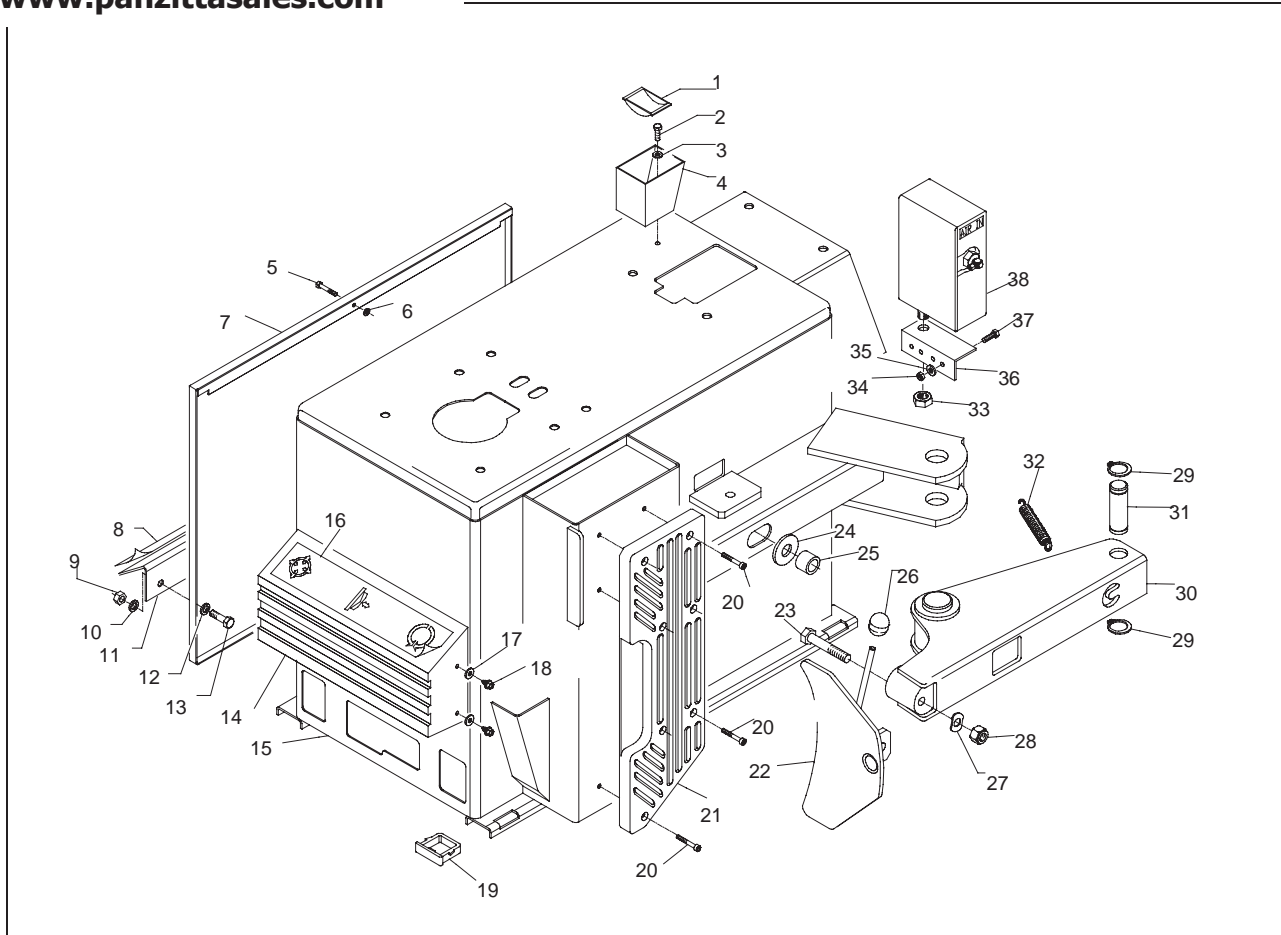
John
BEAN
Company

PANZITTA SALES & SERVICE
72 George Avenue
Wilkes-Barre, PA 18705
570-822-6720 800-822-6720
www.panzittasales.com



8950INO, 8960 INO, and 8990 INO Electric
8950INA 8960INA and 8990INA - Air
Parts Reference Manual

FORM 5567-1



8950 TIRE CHANGER BASE

ITEM	DESCRIPTION	PART NUMBER	ITEM	DESCRIPTION	PART NUMBER
1	COVER-BOX, GREASE	ST0007603	20	SCREW TCEI 6x20 8G	ST7204019
2	SCREW, 8x14 8G	ST7104079	21	PAD, SUPPORT-BEAD BRKR	ST0020101
3	WASHER, D 6x18	ST7021182	22	BLADE, BEAD BREAKER	ST4021305
4	BOX, GREASE	ST0021282	23	SCREW TE 14x100 8G	ST7108069
5	SCREW TE 6x20 8G	ST7104055	24	WASHER, BEAD BREAKER	ST0014636
6	WASHER - LOCK D6	ST7021119	25	WASHER, SHK ABSORBER	ST0007564
7	SIDE PANEL	ST4022612	26	HANDLE, LEVER	ST0021049
8	STICKER, INFLATOR	ST0022669	27	WASHER, M14	ST7021329
9	NUT, M8 6S STAND, YELLOWCOAT	ST7020015	28	NUT-S. LOCK, Low-M14	ST7020409
10	WASHER, D8	ST7021015	29	RING, SNAP - D25	ST7022049
11	PROTECTOR, PEDAL	ST0011227	30	ARM, BEAD BREAKER	ST4013246
12	WASHER, D8x24	ST7021102	31	PIN, BEAD BREAKER	ST0013234
13	SCREW, 8x16 8G	ST7105019	32	SPRING, RECALL BD BRKR	ST0001229
14	PROTECTOR, PEDALS - PLASTIC	ST0022184	33	NUT, M14 6S	ST7020321
15	CABINET, T/C SWING ARM	ST4022628	34	NUT, M4 6S	ST7020091
16	STICKER, PEDALS (3)	ST0022670	35	WASHER, D4	ST7021232
17	WASHER D.5mm	ST7021091	36	BRACKET, VALVE -INFLATOR	ST0020636
18	SCREW, S. THREAD 10Ex13TE	ST7117021	37	SCREW TCEI 4x16 8G	ST7202099
19	FOOT, SQUARE	ST0002801	38	AIR CONT, PRESS LIMITER	ST4019985

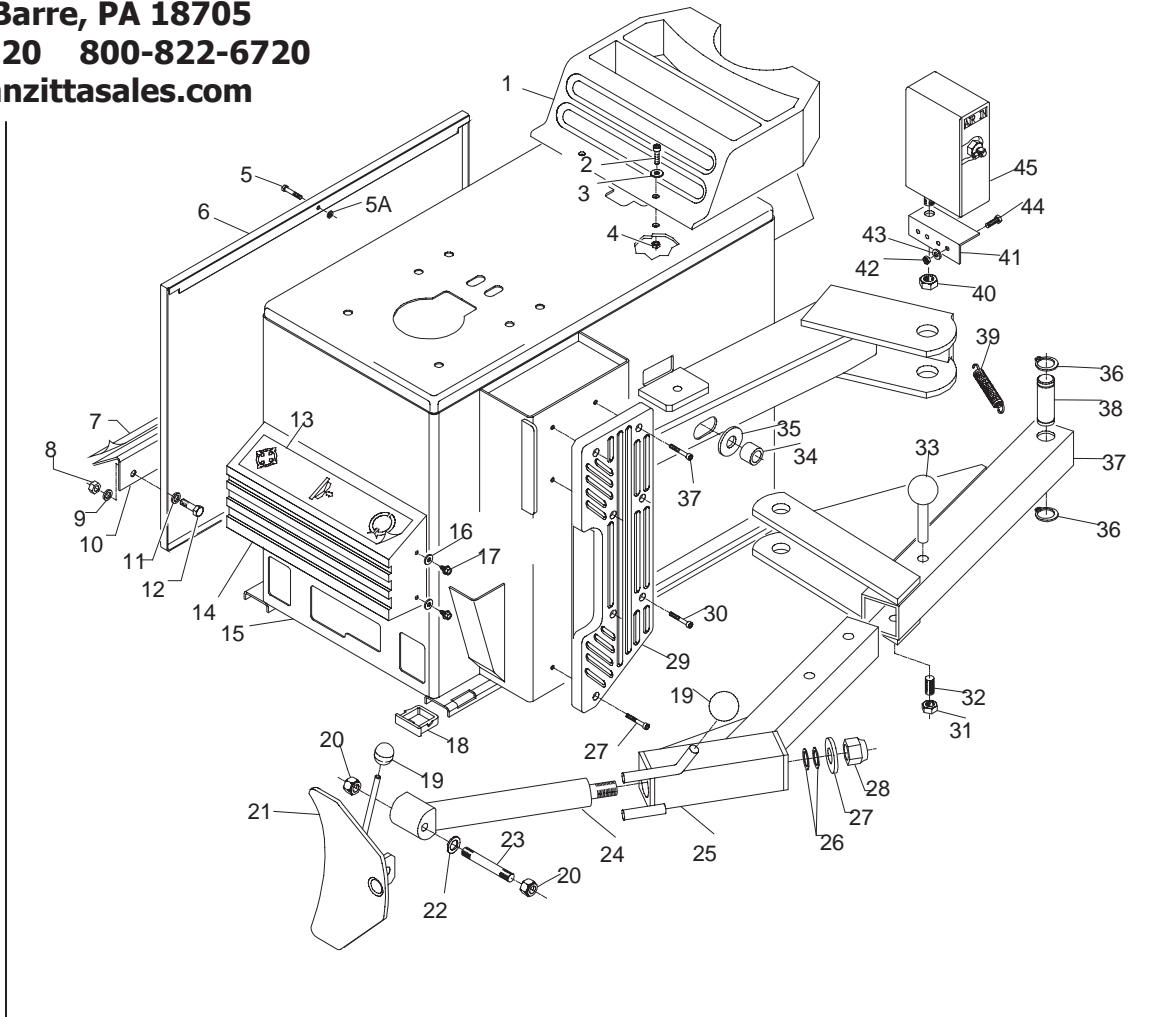
PANZITTA SALES & SERVICE

72 George Avenue

Wilkes-Barre, PA 18705

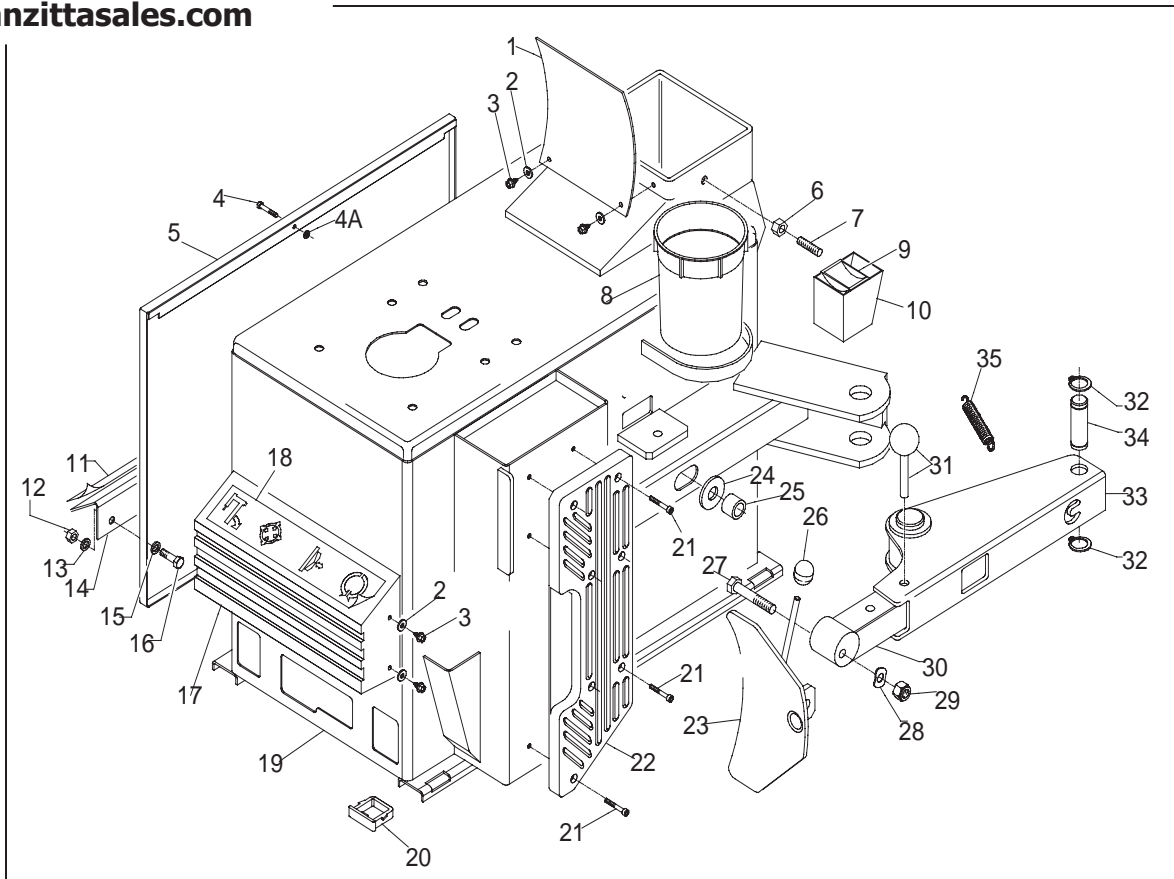
570-822-6720 800-822-6720

www.panzittasales.com



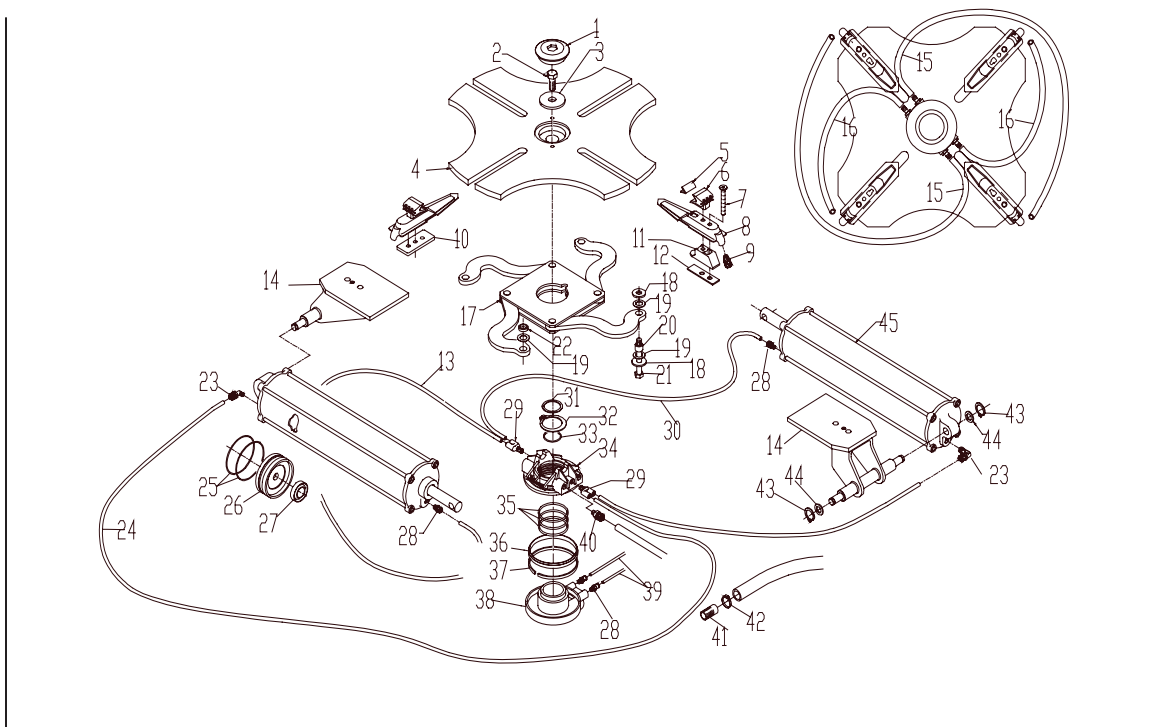
8960 TIRE CHANGER BASE

ITEM	DESCRIPTION	PART NUMBER	ITEM	DESCRIPTION	PART NUMBER
1	PLATE OBJECT HOLDER	ST0022245	24	SUPPORT BLADE	ST4022536
2	SCREW TCEI 6x20 8G	ST7204019	25	ARM BEAD BREAKER	ST4022534
3	WASHER 6x24	ST7021165	26	WASHER D	ST7021529
4	NUT Hex M6 6S	ST7020041	27	WASHER D14	ST7021252
5	SCREW TE 6x20 8G	ST7104055	28	NUT-S. LOCK, Low-M20	ST7020319
6	SIDE PANEL	ST4022612	29	PAD, SUPPORT BEAD BRKR	ST0020101
7	STICKER, INFLATOR	ST0022669	30	WASHER - LOCK D6	ST7021119
8	NUT, M8 6S STAND, YELLOWCOAT	ST7020015	31	NUT, M12 6S	ST7020051
9	WASHER, D8	ST7021015	32	SCREW STEI 12X25	ST7707379
10	PROTECTOR, PEDAL	ST0011227	33	KNOB/PIN, ADJUSTMENT	ST4022540
11	WASHER, D8x24	ST7021102	34	WASHER, SHK ABSORBER	ST0007564
12	SCREW, 8x16 8G	ST7105019	35	WASHER, BEAD BREAKER	ST0014636
13	STICKER, PEDALS (3)	ST0022670	36	RING, SNAP - D25	ST7022049
14	PROTECTOR, PLASTIC	ST0022184	37	SUPPORT-ARM BEAD BRKR	ST4022521
15	CABINET T/C, SWING ARM	ST4022440	38	PIN, BEAD BREAKER	ST0013234
16	WASHER D.5mm	ST7021091	39	SPRING, RECALL BD BRKR	ST0016666
17	SCREW, 10Ex13TE	ST7117021	40	NUT, M14 6S	ST7020321
18	FOOT, SQUARE	ST0002801	41	BRACKET, VALVE - INFL	ST0020636
19	HANDLE, LEVER	ST0021049	42	NUT, M4 6S	ST7020091
20	NUT S. LOCK HIGH M14 5S	ST7020029	43	WASHER, D4	ST7021232
21	BLADE, BEAD BREAKER	ST4022538	44	SCREW, TCEI 4x16 8G	ST7202099
22	WASHER, M14	ST7021329	45	AIR CONT, PRESS LIMITER	ST4019985
23	SCREW, BLADE	ST0022545			



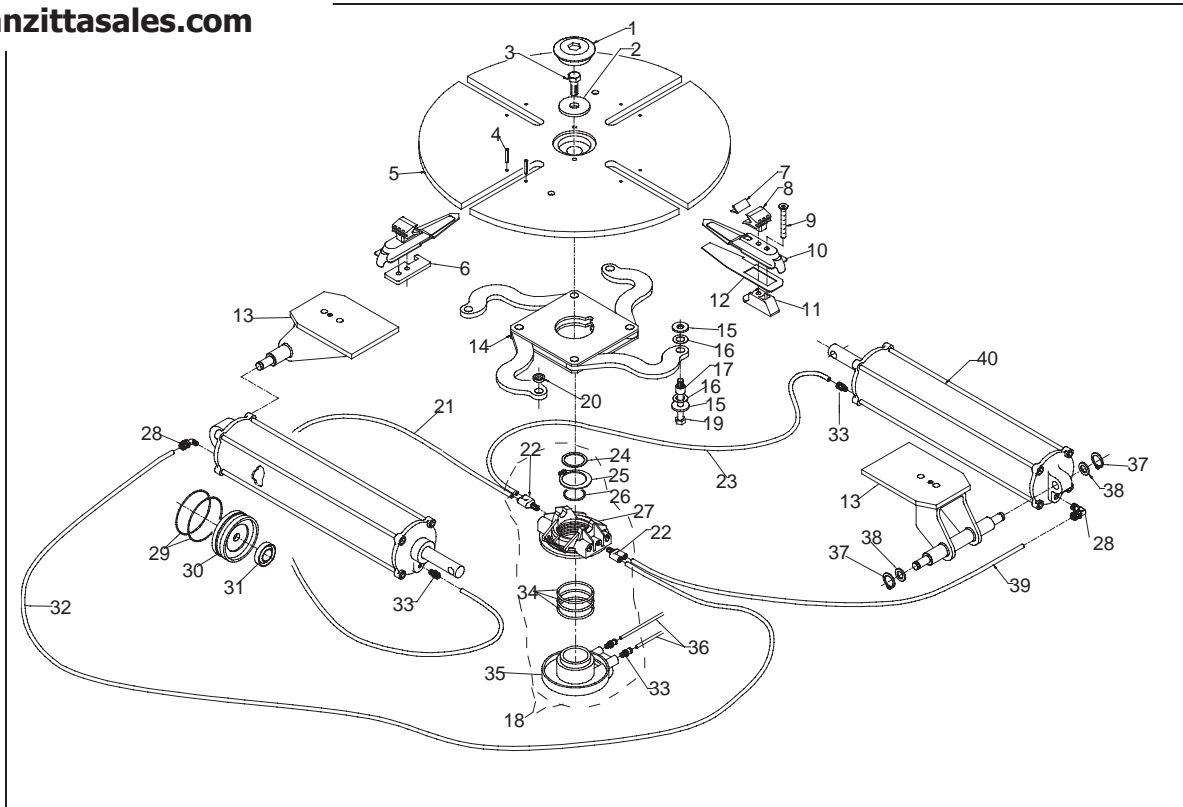
8990 TIRE CHANGER BASE

ITEM	DESCRIPTION	PART NUMBER	ITEM	DESCRIPTION	PART NUMBER
1	FLAP, PROTECTION	ST0005673	19	CABINET	ST4022613
2	WASHER D.5mm	ST7021091	20	FOOT, SQUARE	ST0002801
3	SCREW, 10Ex13TE	ST7117021	21	SCREW TCEI 6x20 8G	ST7204019
4	SCREW TE 6x20 8G	ST7104055	22	PAD, SUPPORT - BEAD BRKR	ST0020101
5	SIDE PANEL	ST4022612	23	BLADE, BEAD BREAKER	ST4021305
6	NUT, M12 6S	ST7020051	24	WASHER, BEAD BREAKER	ST0014636
7	SCREW, ST - 12x20 12K BR	ST7707319	25	WASHER, SHK ABSORBER	ST0007564
8	LUBR BRACKET	ST0011435	26	HANDLE, LEVER	ST0021049
9	COVER-BOX, GREASE	ST0007603	27	SCREW TE 14x100 8G	ST7108069
10	BOX, GREASE	ST0007602	28	WASHER, M14	ST7021329
11	STICKER, INFLATOR	ST0022669	29	NUT, S. LOCKING, LOWM14	ST7020409
12	NUT, M8 6S STAND, YELLOWCOAT	ST7020015	30	EXTENSION- ARM, B/BRKR	ST4022408
13	WASHER, D8	ST7021015	31	KNOB/PIN, ADJUSTMENT	ST4022409
14	PROTECTOR, PEDAL	ST0011227	32	RING, SNAP - D25	ST7022049
15	WASHER, D8x24	ST7021102	33	SUPPORT- ARM, BEAD BRKR	ST4013248
16	SCREW, 8x16 8G	ST7105019	34	PIN, BEAD BREAKER	ST0013234
17	PROTECTOR, PEDALS - PLASTIC	ST0022184	35	SPRING,RECALL BEAD BRKR	ST0001229
18	STICKER, PEDALS	ST0022671			



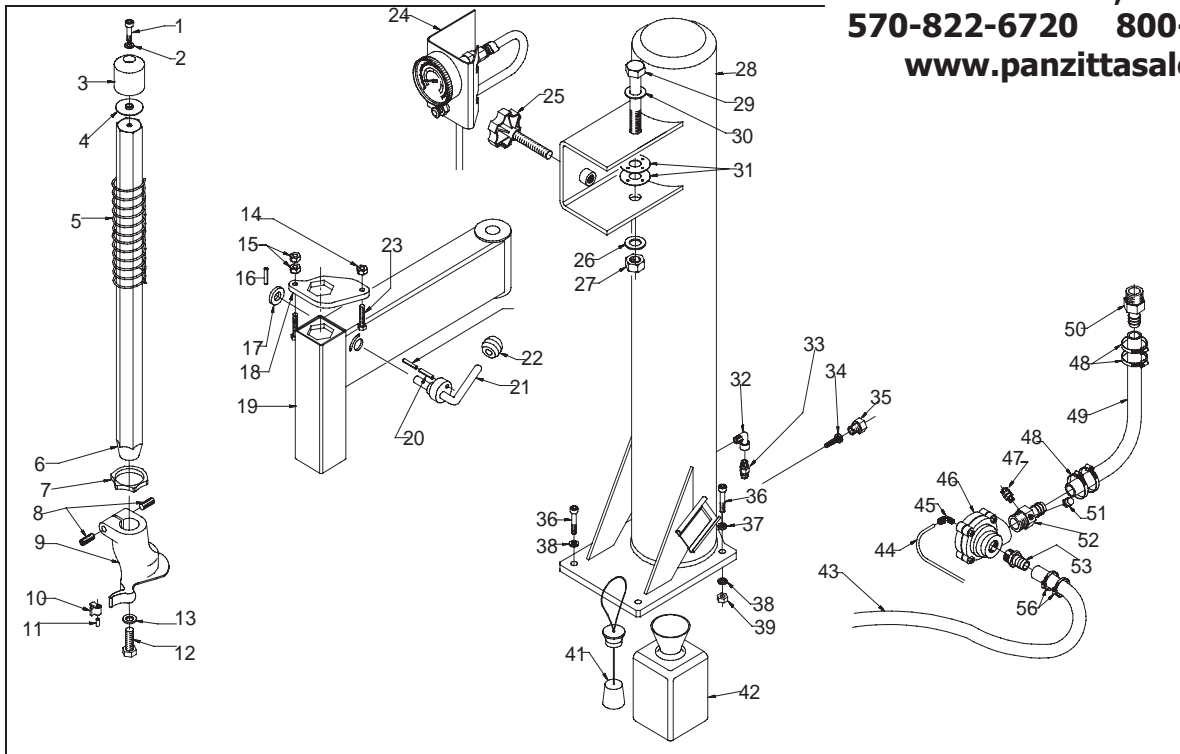
8950-8960 TURNTABLE

ITEM	Description	PART NUMBER	ITEM	DESCRIPTION	PART NUMBER
1	PROTECTOR, TURNTABLE	ST0005678	23	FITTING 90deg,SWIVEL	ST0005140
2	SCREW TE M16x1, 5x45 8G BR	ST7109209	24	HOSE- AIR 4X6, BLACK	ST0022297
3	WASHER	ST0010940	25	SEAL -OR D.75	ST0001682
4	PLATE-TURNTABLE,CENTRAL 18"	ST4022159	26	SEAL DOUBLE D.75	ST0015200
5	PROTECTOR, RIM	ST0022129	27	SEAL-LIP d.20	ST0001683
6	WEDGE, TURNTABLE-CENTRAL	ST0022102	28	FITTING-STRAIGHT 4X6 1/8	ST0001923
7	SCREW STEI 8x60 10.9	ST7905625	29	FITTING 4X6 1/8	ST0019849
8	CLAMP WITH INSERT- INFLATOR	ST4022166	30	HOSE- AIR 4X6, BLACK	ST0022313
9	FITTING HOSE 8X10 1/4	ST0022176	31	SUPPORT,RING	ST0013015
10	PLATE, REGISTER -CLAMP	ST0020886	32	RING- STOP D.60	ST7022339
11	SPACER-SUPPORT	ST0020875	33	SEAL - OR d.50	ST0007406
12	SPACER-LOWER, SUPPORT	ST0020887	34	RING,OUTER - MANIFOLD	ST4015870
13	HOSE-AIR 4X6, BLACK	ST0022314	35	SEAL OR D.69.44X3.53	ST0013161
14	BRACKET CYLINDER	ST4020877	36	SEAL INFLATOR-FRONT	ST0013053
15	HOSE-AIR8x10, BLACK	ST0022307	37	SPRING, JOINT SEALING	ST0015617
16	HOSE-AIR8x10	ST0022306	38	RING-INSIDE, W/SUPPORTS	ST4013171
17	PLATE- REGISTER, CLAMPS	ST4020885	39	HOSE- AIR 4X6	ST0004139
18	WASHER 10x30x3	ST0009426	40	FITTING, QUICK- HOSE 10 1/4	ST0022175
19	WASHER-SHIM30x17x0.3	ST0001363	41	FITTING, CYLINDER HOSE	ST0013164
20	BUSHING-LINK	ST0002480	42	CLIP	ST0003446
21	SCREW TE 10X85 8G	ST7106409	43	RING-SNAP d.12	ST7022059
22	SPACER- ROD	ST0019805	44	WASHER TH. D.12X18X1	ST0019893
*	ASSY, DISTRIBUTOR,-INFLATOR	ST4022180	45	CYLINDER- TURNTABLE	ST4022172



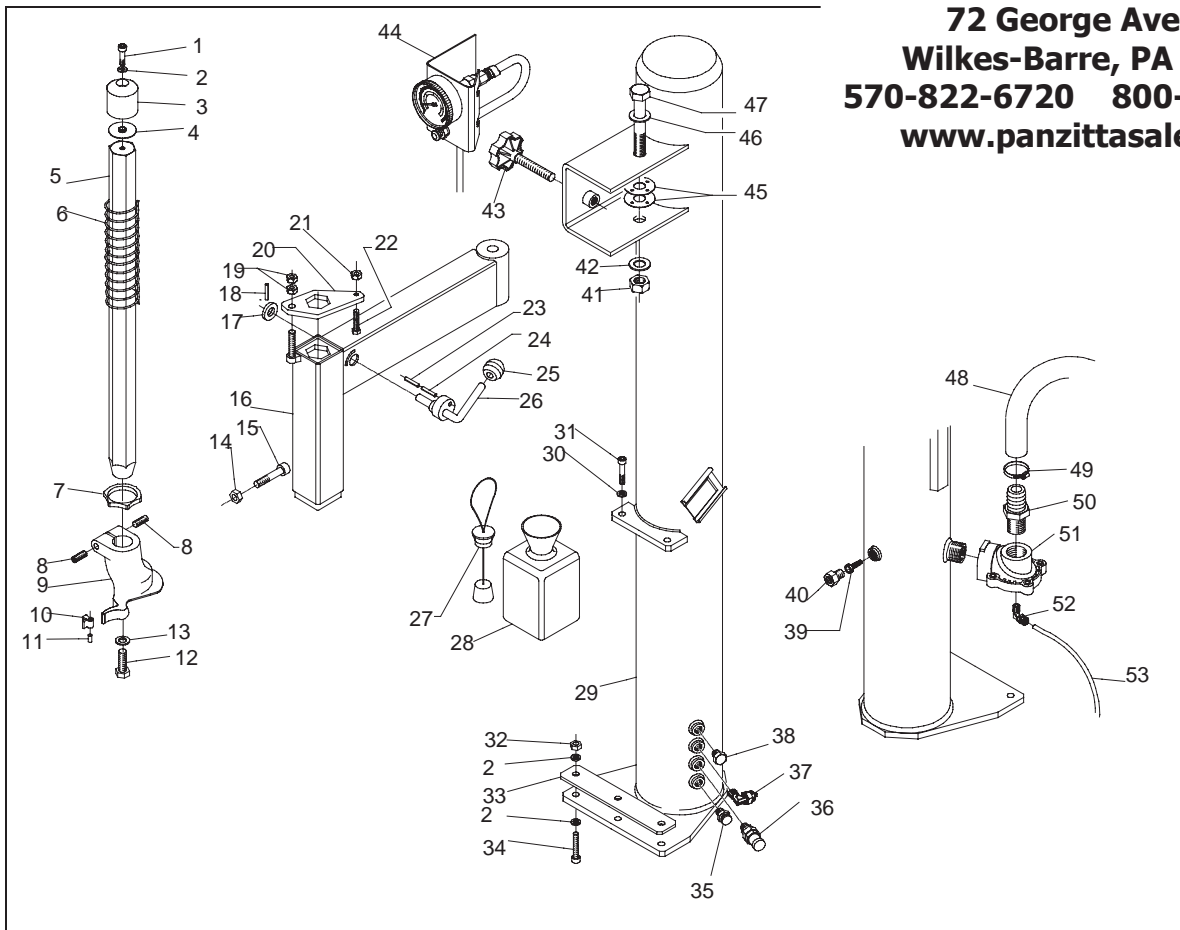
8990 TURNTABLE

ITEM	DESCRIPTION	PART NUMBER	ITEM	DESCRIPTION	PART NUMBER
1	PROTECTOR, TURNTABLE	ST0005678	21	HOSE- AIR 4X6, BLACK	ST0022430
2	WASHER	ST0010940	22	FITTING 4X6 1/8	ST0019849
3	SCREW TE M16x1, 5x45 8G BR	ST7109209	23	HOSE- AIR 4X6, BLACK	ST0022313
4	PIN-SPLIT4x10	ST7023049	24	SUPPORT,RING	ST0013015
5	PLATE-TURNTABLE, CENTRAL 20"	ST4022157	25	RING- STOP D.60	ST7022339
6	HANDLE FOR LEVER	ST0021236	26	SEAL - O-RING d.50	ST0007406
7	PROTECTOR, RIM	ST0022129	27	RING, OUTER - MANIFOLD	ST4015870
8	WEDGE, TURNTABLE-CENTRAL	ST0022102	28	FITTING 90deg, SWIVEL	ST0005140
9	SCREW STEI 8x60 10.9	ST7905625	29	SEAL -O-RING D.75	ST0001682
10	CLAMP, TURNTABLE	ST0020897	30	SEAL DOUBLE D.75	ST0015200
11	SPACER, FORK	ST0019883	31	SEAL-LIP d.20	ST0001683
12	GUIDE, LOWER-CLAMP	ST0019807	32	HOSE- AIR 4X6, BLACK	ST0022297
13	BRACKET, CYLINDER	ST4021240	33	FITTING-STRAIGHT 4X6 1/8	ST0001923
14	PLATE- REGISTER, CLAMPS	ST4020885	34	SEAL O-RING D.69.44X3.53	ST0013161
15	WASHER 10x30x3	ST0009426	35	RING-INSIDE, W/ SUPPORTS	ST4013171
16	WASHER-SHIM30x17x0.3	ST0001363	36	HOSE- AIR 4X6	ST0004139
17	BUSHING-LINK	ST0002480	37	RING-SNAP d.12	ST7022059
18	DISTRIBUTOR- ROTATING	ST4022178	38	WASHER TH. D.12X18X1	ST0019893
19	SCREW TE 10X85 8G	ST7106409	39	HOSE- AIR 4X6, BLACK	ST0022431
20	SPACER- ROD	ST0019805	40	CYLINDER, TURNTABLE 20"	ST4022182



8950 TOWER

ITEM	DESCRIPTION	PART NUMBER	ITEM	DESCRIPTION	PART NUMBER
1	SCREW TCEI 8X16 8G	ST7205059	28	COLUMN, SWING	ST4022164
2	WASHER, D8	ST7021015	29	SCREW, ARM SUPPORT	ST0016256
3	COVER, SPRING	ST0017669	30	HEAD - MT/DMT W. PLAST	ST4011066
4	WASHER- LOCKING, SPRING	ST0017746	31	WASHER - ADJUSTMENT	ST0009607
5	SPRING-RECALL ROD, VERTICAL	ST0012372	32	FITTING, 90 deg.	ST0004664
6	ROD, VERTICAL	ST0005963	33	VALVE, PRES.RELEA 1/4"	ST0005803
7	SHOCK ABSORBER- ROD	ST0008157	34	FILTER	ST0015927
8	SCREW STEI 10X20 12K	ST7706429	35	FITTING MF 3/8 - 1/4 NPT	ST0019155
9	TOOL	ST0011065	36	SCREW TCEI 10X40	ST7206225
10	INSERT - PLASTIC,MOUNT/DEM.HE	ST0011064	37	WASHER P.d.10	ST7021025
*	PKG OF 10 PLASTIC, MOUNT/DEMOUNT	00087456000	38	WASHER - STOP d.10	ST7021159
11	CLIP d.4X22	ST7040080	39	NUT M10 6S	ST7020125
12	SCREW HEX 10X20 8G	ST7106069	40	ROLL PIN 3X27,5	ST0015151
13	WASHER- FITTING, TOOL	ST0006200	41	SWAB - LUBE	ST4014529
14	NUT-HEX M8 6S	ST7020111	42	BOTTLE - LUBE	ST0014466
15	NUT-M10 6S	ST7020341	43	HOSE, AIR	ST0014121
16	PIN-SPLIT 4X26	ST7023079	44	HOSE - AIR 4X6	ST0004138
17	WASHER D14	ST7021252	45	FITTING 90deg 4X6 1/8 /405	ST0001384
18	LEVER- ROD, LOCKING	ST0009585	46	VALVE,AIR-CONTROLLED	ST0013155
19	TOWER , SWING	ST4022281	47	FITTING 6X8 1/8, STRAIGHT	ST0001404
20	SPLIT PIN 5X26	ST7023229	48	CLIP	ST0003446
21	LEVER, REGISTER	ST4011052	49	HOSE, HIGH PRESSURE	ST0015657
22	HANDLE, LEVER	ST0021049	50	FITTING,RUB.BEAR.M3/4-	ST0015784
23	SCREW, ADJUSTMENT- ROD	ST0001287	51	PLUG - MALE 1/8	ST0003374
24	KIT MANOMETER PSI	ST4019219	52	FITTING, RUB.HOLDER 1"	ST0015658
25	SCREW - ARM,SWING - REGISTER	ST0009608	53	FITTING , SUPPORT M1"-20	ST0013157
26	WASHER - d.20	ST7021242			
27	NUT M20 6S	ST7020521			



8960 TOWER

ITEM	DESCRIPTION	PART NUMBER	ITEM	DESCRIPTION	PART NUMBER
1	SCREW TCEI 8X16 8G	ST7205059	28	BOTTLE - LUBE	ST0014466
2	WASHER, D8	ST7021015	29	SWING COLUMN	ST4022239
3	COVER, SPRING	ST0017669	30	WASHER - STOP d.10	ST7021159
4	WASHER- LOCKING, SPRING	ST0017746	31	SCREW TCEI 10X40	ST7206225
5	ROD-VERTICAL	ST0022305	32	NUT, M8 6S STAND, YELLOWCOAT	ST7020015
6	SPRING-RECALL, TOWER,VERTICAL	ST0014545	33	PLATE REINFORCEM.FIXING ARM	ST0014563
7	SEAL, ORING	ST0012053	34	SCREW TE 8X25 8G	ST7105025
8	SCREW STEI 10X20 12K	ST7706429	35	TAP, CONDENSED WATER	ST0005804
9	MOUNT / DEMOUNT HEAD	ST0011065	36	VALVE, PRESS.RELEASE 1/4"	ST0005803
10	INSERT - PLASTIC,MOUNT/DEM.HE	ST0011064	37	FITTING 90deg 6X8 1/4	ST0001432
*	PKG OF 10 PLASTIC, MOUNT/DE	00087456000	38	PLUG 1/4"G	ST0017555
11	CLIP d.4X22	ST7040080	39	FILTER	ST0015927
12	SCREW HEX 10X20 8G	ST7106069	40	FITTING MF 3/8 BSP - 1/4 NPT	ST0019155
13	WASHER- FITTING, TOOL	ST0006200	41	NUT M20 6S	ST7020521
14	NUT - S.LOCK.,LOW- M8 5S	ST7020039	42	WASHER - d.20	ST7021242
15	SCREW TCEI 8X55 8G	ST7205089	43	SCREW - ARM,SWING - REGISTER	ST0009608
16	SWING ARM	ST4022438	44	KIT MANOMETER PSI	ST4019219
17	WASHER D14	ST7021252	45	WASHER - ADJUSTMENT	ST0009607
18	PIN-SPLIT 4X26	ST7023079	46	WASHER - d.20	ST7021242
19	NUT-M10 6S	ST7020341	47	SCREW, SWING ARM SUPPORT	ST0016256
20	LEVER, ROD LOCKING	ST0014645	48	HOSE, AIR	ST0014121
21	NUT-HEX M8 6S	ST7020111	49	CLIP	ST0003446
22	SCREW, ADJUSTMENT- ROD	ST0001287	50	FITTING , SUPPORT M1"-20	ST0013157
23	ROLL 3X27,5	ST0015151	51	VALVE,AIR-CONTROLLED	ST0013155
24	SPLIT PIN 5X26	ST7023229	52	FITTING 90deg 4X6 1/8 /405 MO	ST0001384
25	HANDLE, LEVER	ST0021049	53	HOSE,AIR 4X6	ST0010618
26	LEVER, REGISTER	ST4011052	*	HEAD - MOUNT/DEMOUNT W. PLAST	ST4011066
27	SWAB - LUBE	ST4014529			

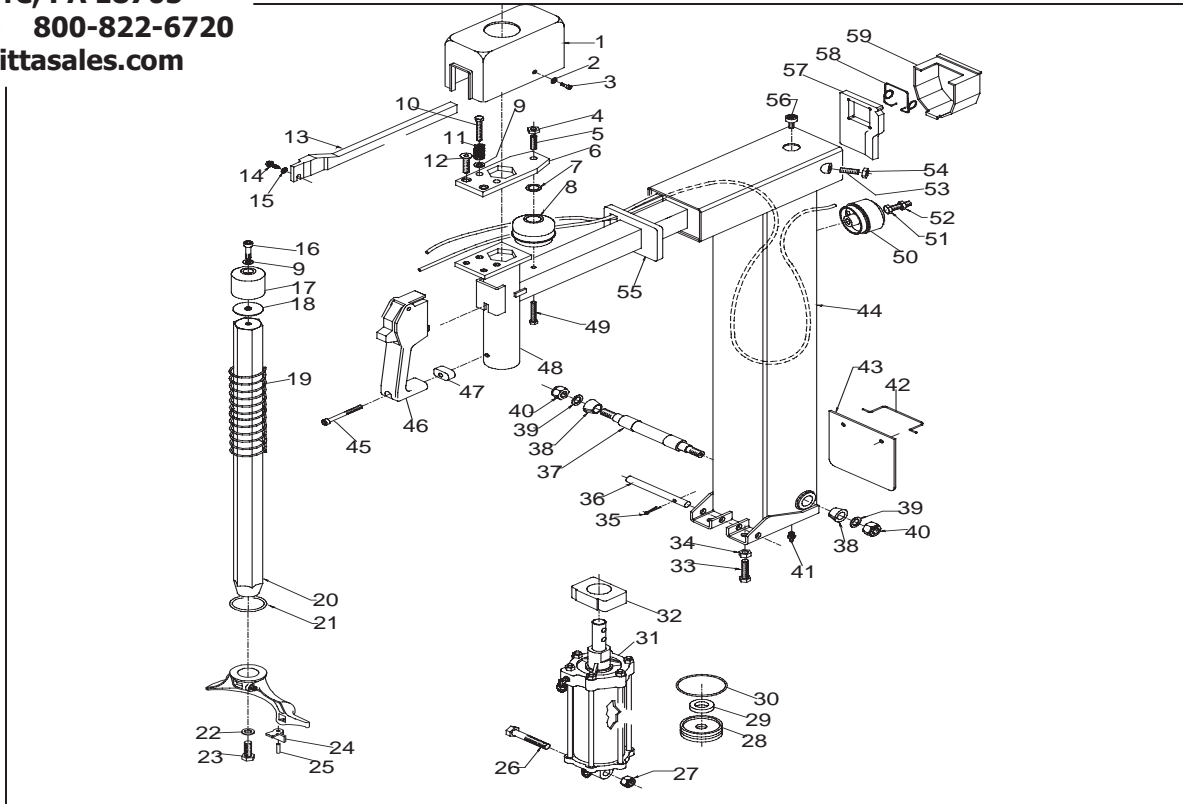
PANZITTA SALES & SERVICE

72 George Avenue

Wilkes-Barre, PA 18705

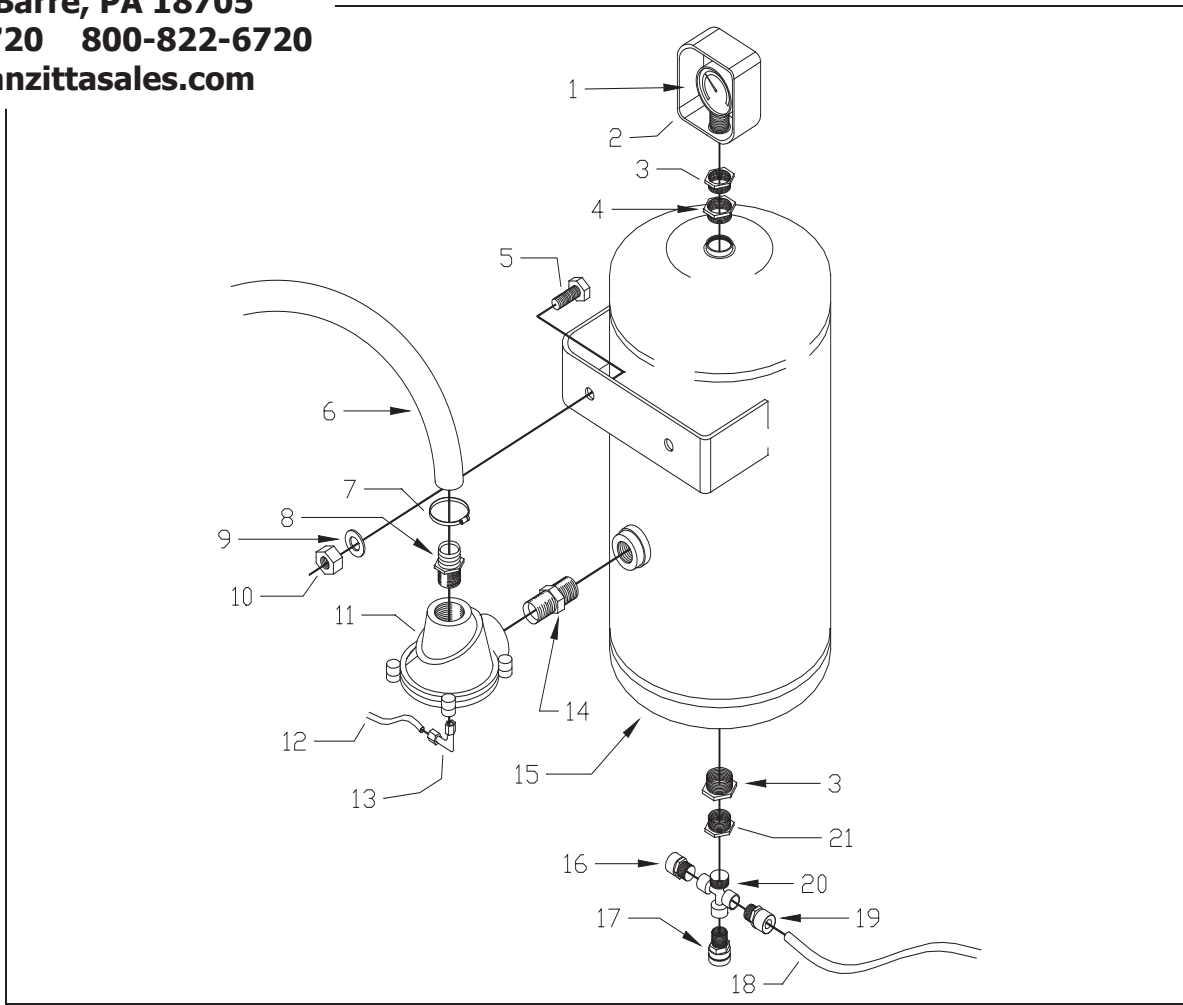
570-822-6720 800-822-6720

www.panzittasales.com



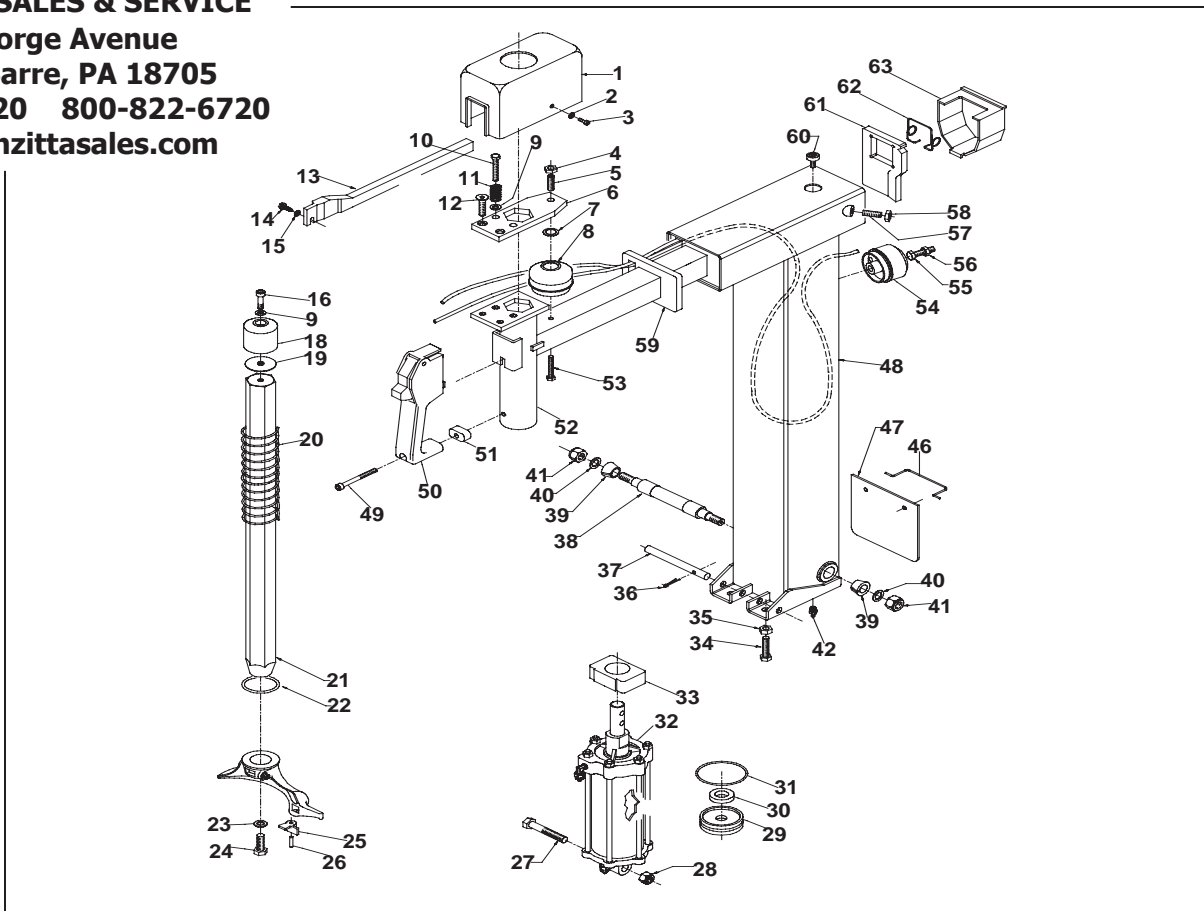
8990 TOWER

ITEM	DESCRIPTION	PART NUMBER	ITEM	DESCRIPTION	PART NUMBER
1	PROTECTION, UPPER- TOWER	ST4022389	31	CYLINDER, TOWER-TILTING	ST4011732
2	WASHER 5X16X1	ST7021081	32	SHOCK ABSORBER - TOWER	ST0007588
3	SCREW TCEI 5X16 8G	ST7203029	33	SCREW, SUPPORT - TOWER	ST0010721
4	NUT M10 6S	ST7020125	34	NUT, M8 6S STAND, YELLOWCOAT	ST7020015
5	SCREW STEI 10X35 12K BR	ST7706439	35	CLIP 3X15	ST7024032
6	LEVER, PLATE-UPPER	ST0020985	36	PIN- PISTON FULCRUM	ST0008231
7	WASHER- REINFORCEMENT	ST0011634	37	TOWER - AXLE PIN	ST0014039
8	CYLINDER- VERTICAL, LOCKING	ST4007435	38	BUSHING,CONIC - TOWER	ST0014040
9	WASHER, D8	ST7021015	39	WASHER-SHIM30x17x0.3	ST0001363
10	SCREW TE 8X50 8G	ST7105139	40	NUT - S.LOCK,HIGH- M16 5S	ST7020179
11	SPRING - RECALL, ADJUSTMENT	ST0012044	41	GREASER-NIPPLE M8	ST0003280
12	SCREW TSEI 10X35 10.9	ST7906319	42	RETAINER-FLAP	ST0001822
13	CARTER, HOSES PROTECTION	ST0015370	43	PROTECTION,TOWER	ST0001841
14	SCREW- SELFTHREAD. 10EX16 TE	ST7117031	44	TOWER-TILTING	ST4022420
15	WASHER 5X16X1	ST7021081	45	SCREW TCEI 6X80 8G	ST7204169
16	SCREW TCEI 8X16 8G	ST7205059	46	HANDLE WITH VALVE	ST4012397
17	COVER, SPRING	ST0017669	47	GUIDE, LOWER- HANDLE	ST0020986
18	WASHER- LOCKING, SPRING	ST0017746	48	TOWER-SLIDING	ST4022421
19	SPRING-RECALL, AXEL-VERTICAL	ST0020964	49	SCREW TCEI 6X70 8G	ST7204429
20	ROD- VERTICAL	ST0020965	50	CYLINDER - ROD,HORIZONTAL-LOC	ST4011967
21	SHOCK ABSORBER- ROD	ST0008157	51	SCREW, ADJUSTMENT- ROD	ST0001287
22	WASHER- FITTING, TOOL	ST0006200	52	NUT, M8 6S STAND, YELLOWCOAT	ST7020015
23	SCREW HEX 10X20 8G	ST7106069	53	SCREW STEI 10X35 12K BR	ST7706439
24	INSERT - PLASTIC,MOUNT/DEM.HE	ST0011064	54	NUT-M10 6S	ST7020341
*	PKG 10 - PLASTIC, MOUNT/DEMOUNT	00087456000	55	CARTER,FRONT	ST0007444
25	CLIP d.4X22	ST7040080	56	SCREW-ARM,RETAINING	ST0005672
26	SCREW TE 10X110 8G	ST7106169	57	LEVER-ARM,RETAINING	ST0007438
27	NUT -S.LOCK,LOW- M10	ST7020279	58	SPRING-RECALL LEVER, ARM	ST0005526
28	SEAL, DOUBLE	ST0010478	59	PROTECTION, REAR	ST0021589
29	SEAL-LIP d.20	ST0001683	*	HEAD - MOUNT/DEMOUNT W. PLAST	ST4011066
30	SEAL, OR D. 70	ST0010479			



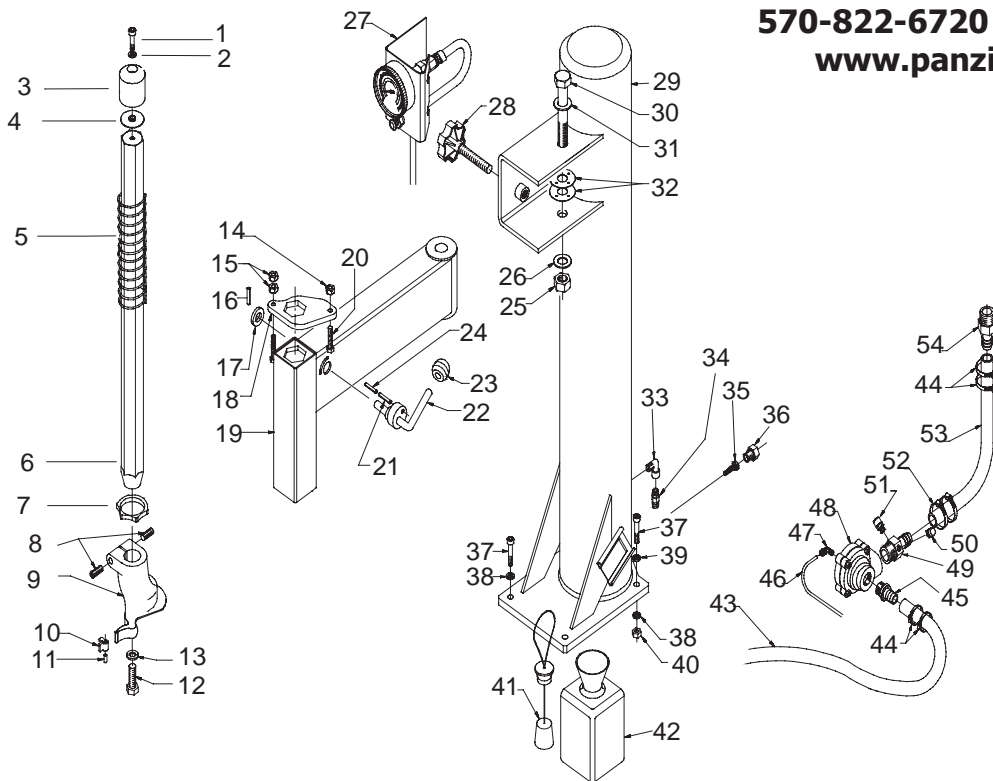
8990 TANK AND GAUGE ASSEMBLY

Item	Description	Part Number	Item	Description	Part Number
1	Manometer	ST0014514	12	Hose - Air 4x6	ST0010618
2	Protection, Manometer	ST0016435	13	Fitting 90deg. 1/8	ST0001384
3	Reduction, MF 1-3/8	ST0014030	14	Nipple	ST0013156
4	Reduction-MF 3/8-1/8	ST0016432	15	Tank - Inflator	ST0013154
5	Screw 10X30	ST7106109	16	Valve Press. Rel. 1/4	ST0005803
6	Hose - Air	ST0016515	17	Tap - Cond. Water	ST0005804
7	Clip	ST0003446	18	Hose Air 6X8	ST0008148
8	Fitting - Support	ST0013157	19	Fitting Straight 4X8	ST0010944
9	Washer - Stop	ST7021159	20	Fitting 1/4	ST0010943
10	Nut M10	ST7020125	21	Reducer MF 3/8 - 1/8	ST0014031
11	Valve - Air Controlled	ST0013155			



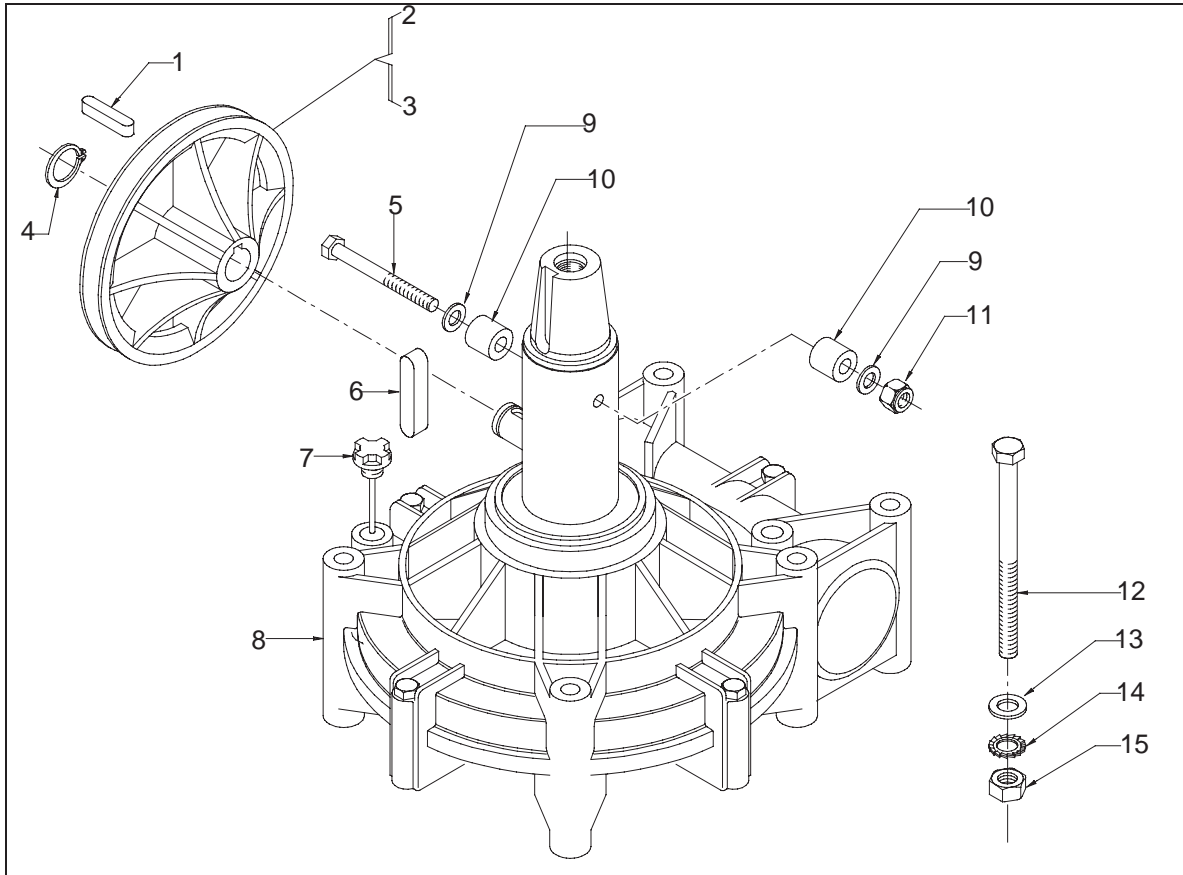
8990IN-A TOWER

ITEM	DESCRIPTION	PART NUMBER	ITEM	DESCRIPTION	PART NUMBER
1	PROTECTION, UPPER- TOWER	ST4022389	32	CYLINDER, TOWER-TILTING	ST4012089
2	WASHER 5X16X1	ST7021081	33	SHOCK ABSORBER - TOWER	ST0007588
3	SCREW TCEI 5X16 8G	ST7203029	34	SCREW, SUPPORT - TOWER	ST0010721
4	NUT M10 6S	ST7020125	35	NUT, M8 6S STAND, YELLOWCOAT	ST7020015
5	SCREW STEI 10X35 12K BR	ST7706439	36	CLIP 3X15	ST7024032
6	LEVER, PLATE-UPPER	ST0020985	37	PIN- PISTON FULCRUM	ST0008231
7	WASHER- REINFORCEMENT	ST0011634	38	TOWER - AXLE PIN	ST0014039
8	CYLINDER- VERTICAL, LOCKING	ST4007435	39	BUSHING,CONIC - TOWER	ST0014040
9	WASHER, D8	ST7021015	40	WASHER-SHIM30x17x0.3	ST0001363
10	SCREW TE 8X50 8G	ST7105139	41	NUT - S.LOCK,HIGH- M16 5S	ST7020179
11	SPRING - RECALL, ADJUSTMENT	ST0012044	42	GREASER-NIPPLE M8	ST0003280
12	SCREW TSEI 10X35 10.9	ST7906319	46	RETAINER-FLAP	ST0001822
13	CARTER, HOSES PROTECTION	ST0015370	47	PROTECTION,TOWER	ST0001841
14	SCREW- SELFTHREAD. 10EX16 TE	ST7117031	48	TOWER-TILTING	ST4022420
15	WASHER 5X16X1	ST7021081	49	SCREW TCEI 6X80 8G	ST7204169
16	SCREW TCEI 8X16 8G	ST7205059	50	HANDLE WITH VALVE	ST4012397
18	COVER, SPRING	ST0017669	51	GUIDE, LOWER- HANDLE	ST0020986
19	WASHER- LOCKING, SPRING	ST0017746	52	TOWER-SLIDING	ST4022421
20	SPRING-RECALL, AXEL-VERTICAL	ST0020964	53	SCREW TCEI 6X70 8G	ST7204429
21	ROD- VERTICAL	ST0020965	54	CYLINDER - ROD,HORIZONTAL-LOC	ST4007436
22	SHOCK ABSORBER- ROD	ST0008157	55	SCREW, ADJUSTMENT- ROD	ST0001287
23	WASHER- FITTING, TOOL	ST0006200	56	NUT, M8 6S STAND, YELLOWCOAT	ST7020015
24	SCREW HEX 10X20 8G	ST7106069	57	SCREW STEI 10X35 12K BR	ST7706439
25	INSERT - PLASTIC MOUNT/DEMOUNT	ST0011064	58	NUT-M10 6S	ST7020341
26	CLIP d.4X22	ST7040080	59	CARTER,FRONT	ST0007444
27	SCREW TE 10X110 8G	ST7106169	60	SCREW-ARM,RETAINING	ST0005672
28	NUT -S.LOCK,LOW- M10	ST7020279	61	LEVER-ARM,RETAINING	ST0007438
29	SEAL, DOUBLE	ST0010478	62	SPRING-RECALL LEVER, ARM	ST0005526
30	SEAL-LIP d.20	ST0001683	63	PROTECTION, REAR	ST0021589
31	SEAL, OR D. 70	ST0010479	*	HEAD - MOUNT/DEMOUNT W. PLAST	ST4011066



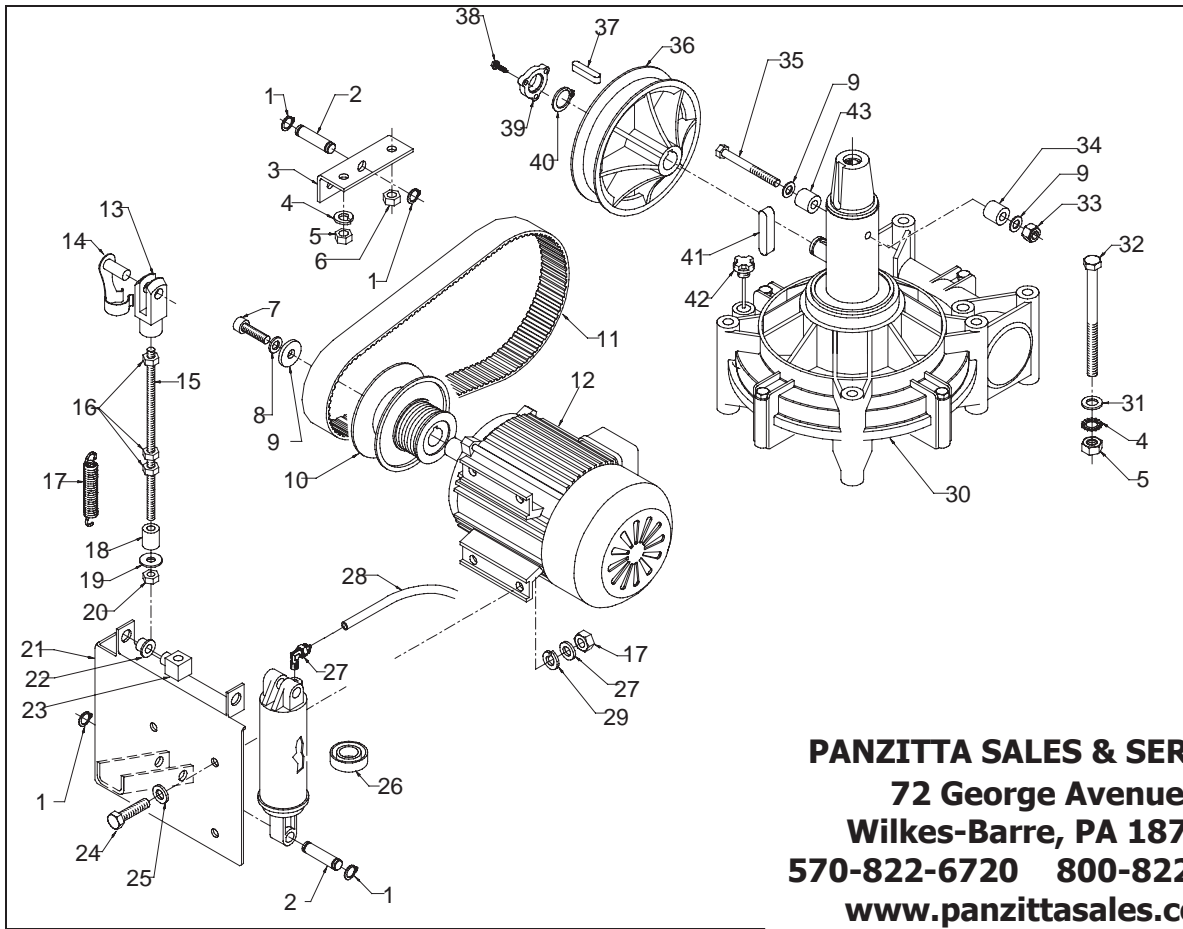
8950/8960IN-A TOWER

Item	Description	Part Number	Item	Description	Part Number
1	SCREW TCEI 8X16 8G	ST7205059	29	COLUMN, SWING	ST4022164
2	WASHER d.8	ST7021015	30	SCREW-SWINGARMSUPPORT	ST0016256
3	COVER, SPRING	ST0017669	31	WASHER - d.20	ST7021242
4	WASHER- LOCK, SPRING	ST0017746	32	WASHER - ADJUSTMENT	ST0009607
5	SPRING- ROD, VERTICAL	ST0012372	33	FITTING, L	ST0004664
6	ROD,VERTICAL	ST0005963	34	VALVE, PRESS.RELEASE 1/4"	ST0005803
7	SHOCK ABSORBER- ROD	ST0008157	35	FILTER	ST0015927
8	SCREW STEI 10X20 12K	ST7706429	36	FITTING MF 3/8 BSP - 1/4 NPT	ST0019155
9	TOOL	ST0011065	37	SCREW TCEI 10X40	ST7206225
10	INSERT-PLASTIC,MOUNT/DEM.	ST0011064	38	WASHER - STOP d.10	ST7021159
11	CLIP d.4X22	ST7040080	39	WASHER P.d.10	ST7021025
12	SCREW HEX 10X20 8G	ST7106069	40	WASHER P.d.10	ST7020125
13	WASHER- FITTING, TOOL	ST0006200	41	SWAB - LUBE	ST4014529
14	NUT-HEX M8 6S	ST7020111	42	BOTTLE - LUBE	ST0014466
15	NUT-M10 6S	ST7020341	43	HOSE, AIR	ST0014121
16	PIN-SPLIT 4X26	ST7023079	44	CLIP	ST0003446
17	WASHER - d.14	ST7021252	45	FITTING , SUPPORT M1"-20	ST0013157
18	PLATE- ROD, LOCKING	ST0009585	46	HOSE - AIR 4X6	ST0004138
19	TOWER , SWING	ST4022281	47	FITTING 90deg 4X1/8 /405	ST0001384
20	SCREW, ADJUSTMENT- ROD	ST0001287	48	VALVE,AIR-CONTROLLED	ST0013155
21	SPLIT PIN 5X26	ST7023229	49	FITTING SUPPORT RUBBER	ST0023247
22	LEVER, REGISTER	ST4011052	50	PLUG - MALE 1/8	ST0003374
23	PLASTIC HANDLE BALL	ST0021049	51	FITTING, QUICK- HOSE 10 1/4	ST0022175
24	ROLL 3X27,5	ST0015151	52	CLIP	ST0003446
25	NUT M20 6S	ST7020521	53	HOSE, HIGH PRESSURE	ST0015657
26	WASHER - d.20	ST7021242	54	FITTING,RUB.BEAR.M3/4-20"	ST0015784
27	KIT MANOMETER PSI	ST4019219	*	HEAD - MNT/DEMNT W. INSERT	ST4011066
28	SCREW-ARM,SWING-REGISTER	ST0009608			



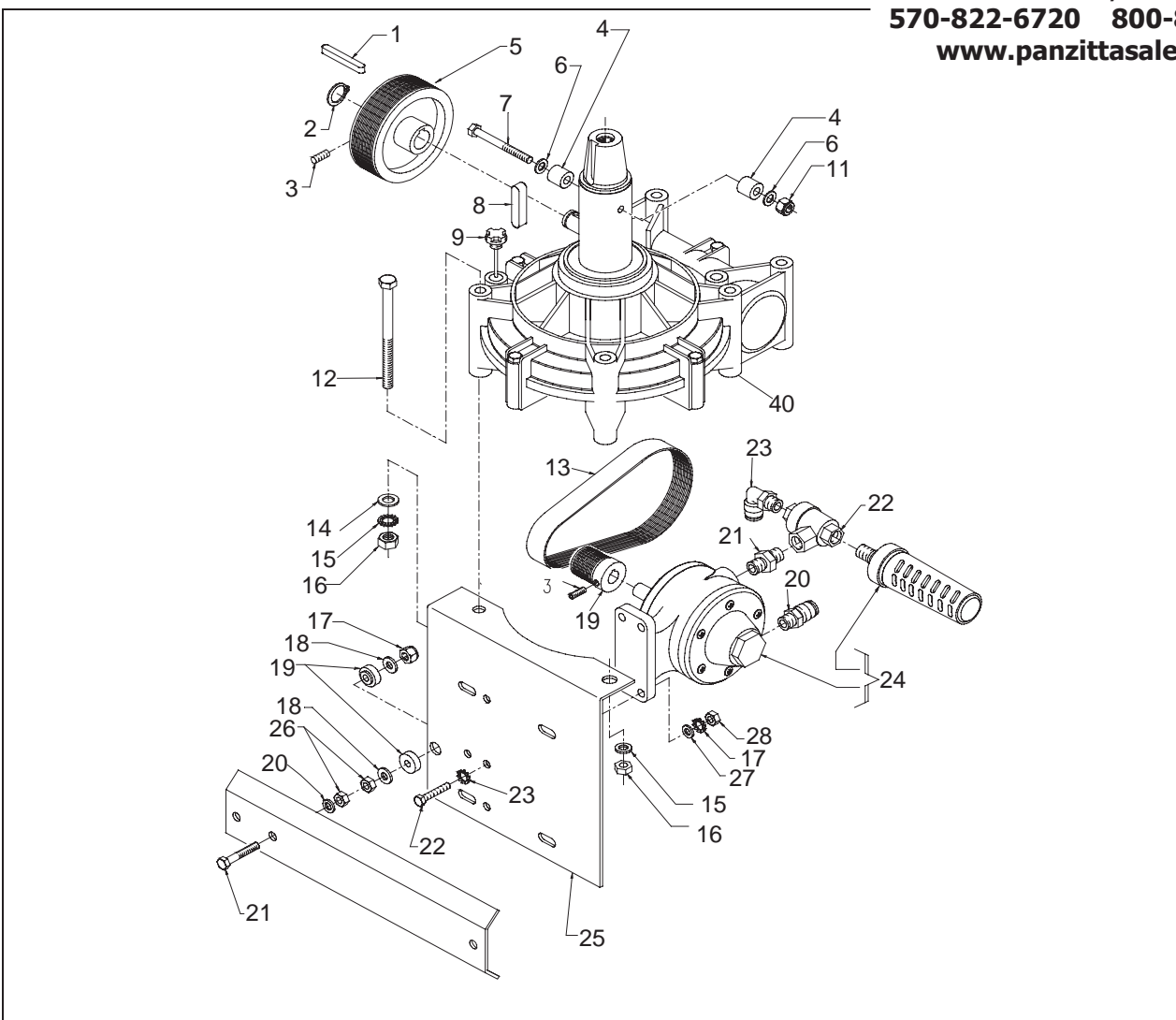
8950-8960 TRANSMISSION

ITEM	DESCRIPTION	PART NUMBER	ITEM	DESCRIPTION	PART NUMBER
1	KEY-6X6X40	ST7025060	9	WASHER d.6	ST7021042
2	PULLEY, - 115V	ST0018650	10	BUSHING,STOP - CYLINDER	ST0013165
3	PULLEY, - 230V	ST0004396	11	NUT-S.LOCK,HIGH - M6 5S	ST7020189
4	RING-SNAP,SHAFT d.19	ST7022179	12	SCREW TE 10X160 8G	ST7106295
5	SCREW TE 6X100 8G	ST7104599	13	WASHER P.d.10	ST7021025
6	TANG 10X8X45	ST7025080	14	WASHER - STOP d.10	ST7021159
7	PLUG-OIL	ST0010088	15	NUT M10 6S	ST7020125
8	GEAR-BOX	ST4013163	*	TRANSMISSION ASSEMBLY	ST4013163



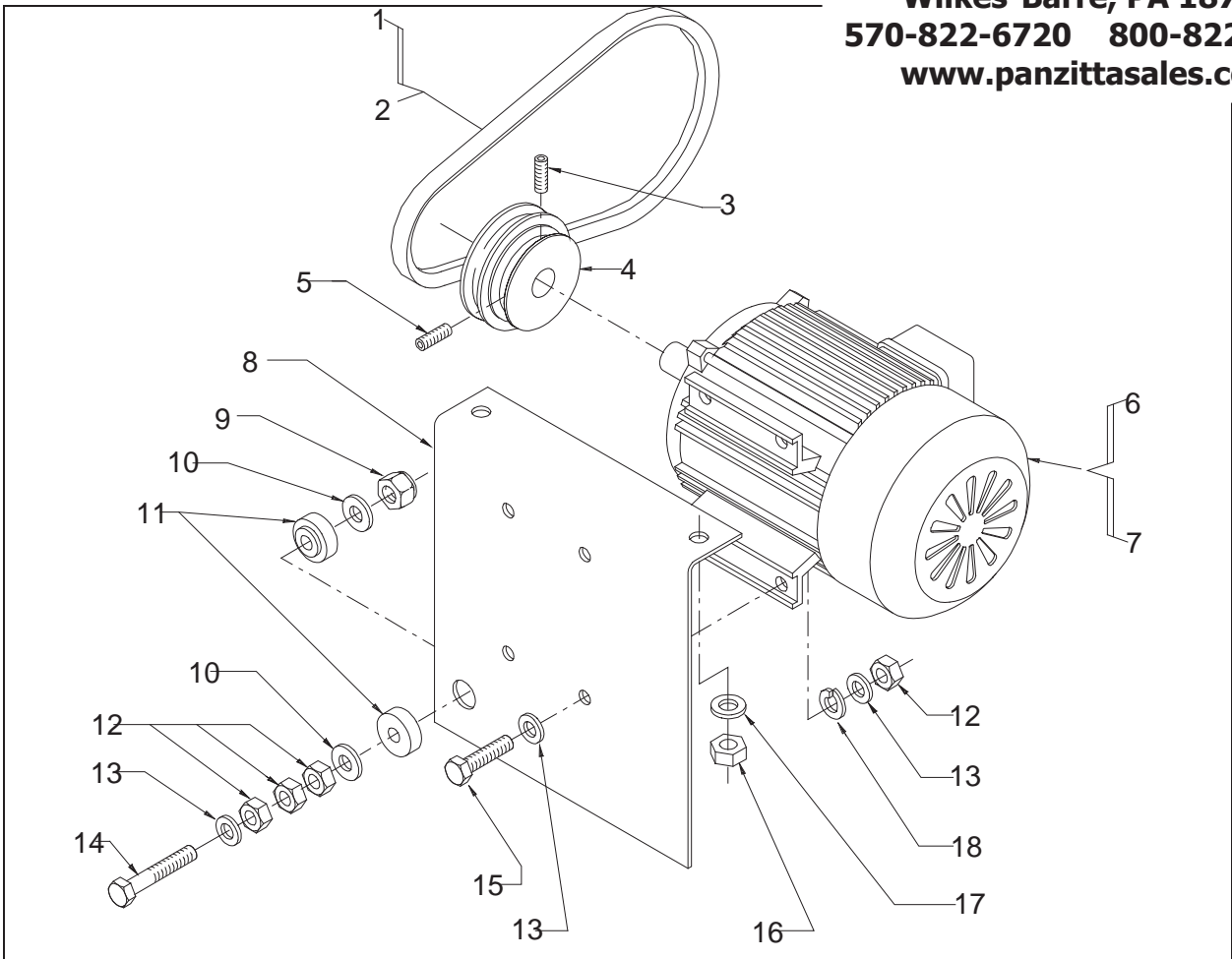
8990 TRANSMISSION, 115V MOTOR, MOTOR VARIATION CYLINDER

ITEM	DESCRIPTION	PART NUMBER	ITEM	DESCRIPTION	PART NUMBER
1	RING-SNAP,SHAFT d.10	ST7022079	23	PIN-MOTOR,FITTING	ST0007894
2	PIN, CYLINDER	ST0007907	24	SCREW TE 8X25 8G	ST7105025
3	SUPPORT, CYLINDER	ST0007887	25	WASHER, D8	ST7021015
4	WASHER - STOP d.10	ST7021159	26	SEAL - LIP 25X42X8	ST0002847
5	NUT M10 6S	ST7020125	27	FITTING 90deg 4X6 1/8 /405 MO	ST0001384
6	NUT-M10 6S	ST7020341	28	HOSE- AIR 4X6	ST0004139
7	SCREW TCEI 6x20 8G	ST7204019	29	WASHER d.8	ST7021039
8	WASHER d.6	ST7021042	30	GEAR-BOX	ST4013163
9	WASHER,LOCKING	ST0007495	31	WASHER P.d.10	ST7021025
10	PULLEY, VARIABLE	ST4006673	32	SCREW TE 10X160 8G	ST7106295
11	BELT- TOOTHED	ST0007984	33	NUT-S.LOCK,HIGH - M6 5S	ST7020189
12	MOTOR HP1 115V	ST1014451	34	BUSHING,STOP - CYLINDER	ST0013165
13	CLIP M8	ST0008145	35	SCREW TE 6X100 8G	ST7104599
14	LOCKING RETAINER PIN	ST0008146	36	PULLEY	ST0007793
15	ROD-TENSION	ST0007915	37	KEY-6X6X40	ST7025060
16	NUT, M8 6S STAND, YELLOWCOAT	ST7020015	38	SCREW- SELFTHREAD. 10EX16 TE	ST7117031
17	SPRING- SUPPORT, MOTOR	ST0007893	39	PLUG, LOCKING	ST0006793
18	BUSHING, REGISTER	ST0007958	40	RING-SNAP,SHAFT d.19	ST7022179
19	WASHER, D8x24	ST7021102	41	TANG 10X8X45	ST7025080
20	NUT - S.LOCK.,LOW- M8 5S	ST7020039	42	PLUG-OIL	ST0010088
21	SUPPORT,MOTOR	ST4007891	*	SUPPORT + BUSHINGS- MOTOR	ST4008351
22	BUSHING d. 12.5	ST0007897	*	CYLINDER	ST4008807



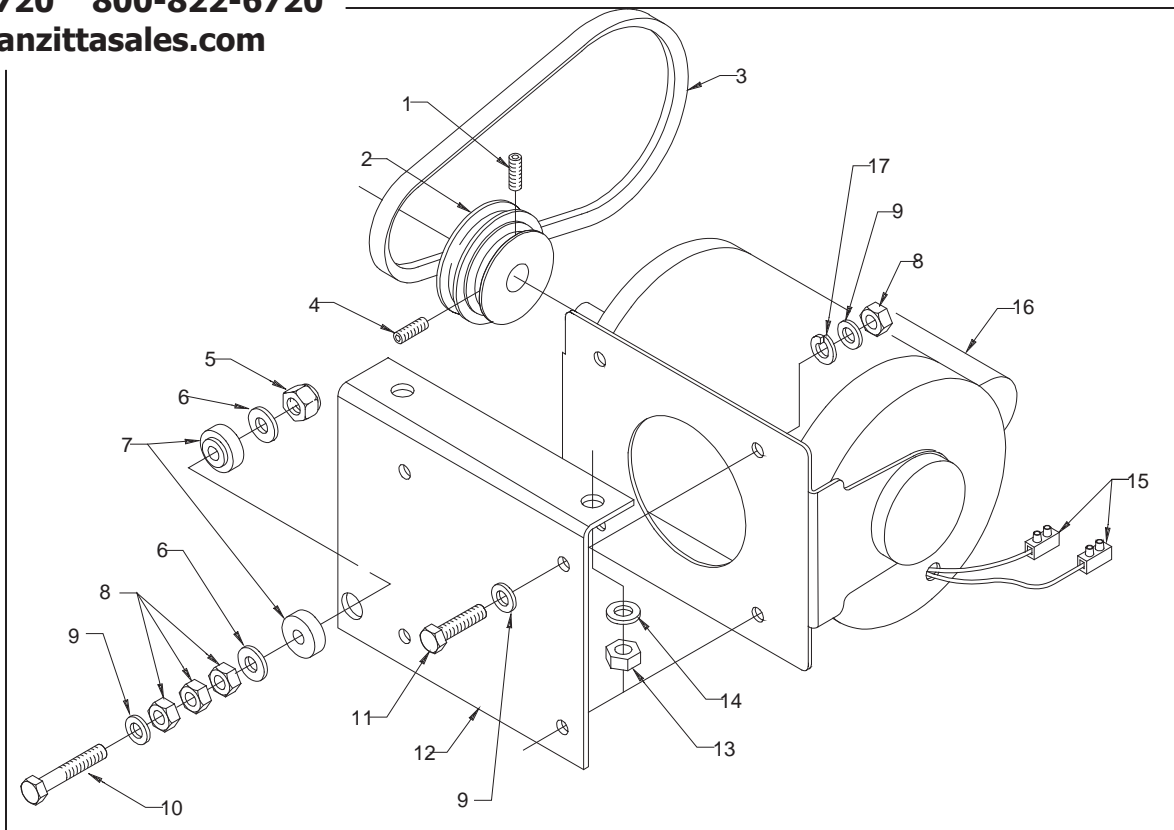
TRANSMISSION AND AIR MOTOR ASSEMBLIES

Item	Description	Part Number	Item	Description	Part Number
1	KEY-6X6X40	ST7025060	15	WASHER - STOP d.10	ST7021159
2	RING-SNAP,SHAFT d.19	ST7022179	16	NUT M10 6S	ST7020125
3	SCREW STEI 6X10- PLANE	ST7704529	17	NUT - S.LOCK.,LOW- M8 5S	ST7020039
4	BUSHING,STOP - MANIFOLD	ST0013165	18	WASHER - d. 8X24	ST7021102
5	PULLEY, MOTOR	ST0023200	19	WASHER,SHOCK ABSORBER	ST0010491
6	WASHER d.6	ST7021042	20	WASHER d.8	ST7021015
7	SCREW TE 6X100 8G	ST7104599	21	SCREW TE 8X70 5S	ST7105431
8	TANG 10X8X45	ST7025080	22	SCREW TE 6X30 8G	ST7104439
9	PLUG-OIL	ST0010088	23	WASHER-LOCK d.6	ST7021119
10	GEAR-BOX	ST4013163	24	MOTOR, PNEUMATIC 1.5 HP	ST0023243
11	NUT-S.LOCK,HIGH - M6 5S	ST7020189	25	SUPPORT- MOTOR	ST4020939
12	SCREW TE 10X160 8G	ST7106295	26	NUT M8 6S STAND.YEL-CT	ST7020015
13	BELT POLY-V 610 J 10	ST0023250	27	WASHER d.6	ST7021041
14	WASHER P.d.10	ST7021025	28	NUT-HEX. M6 6S	ST7020041



230 VAC MOTOR & BRACKET ASSEMBLY

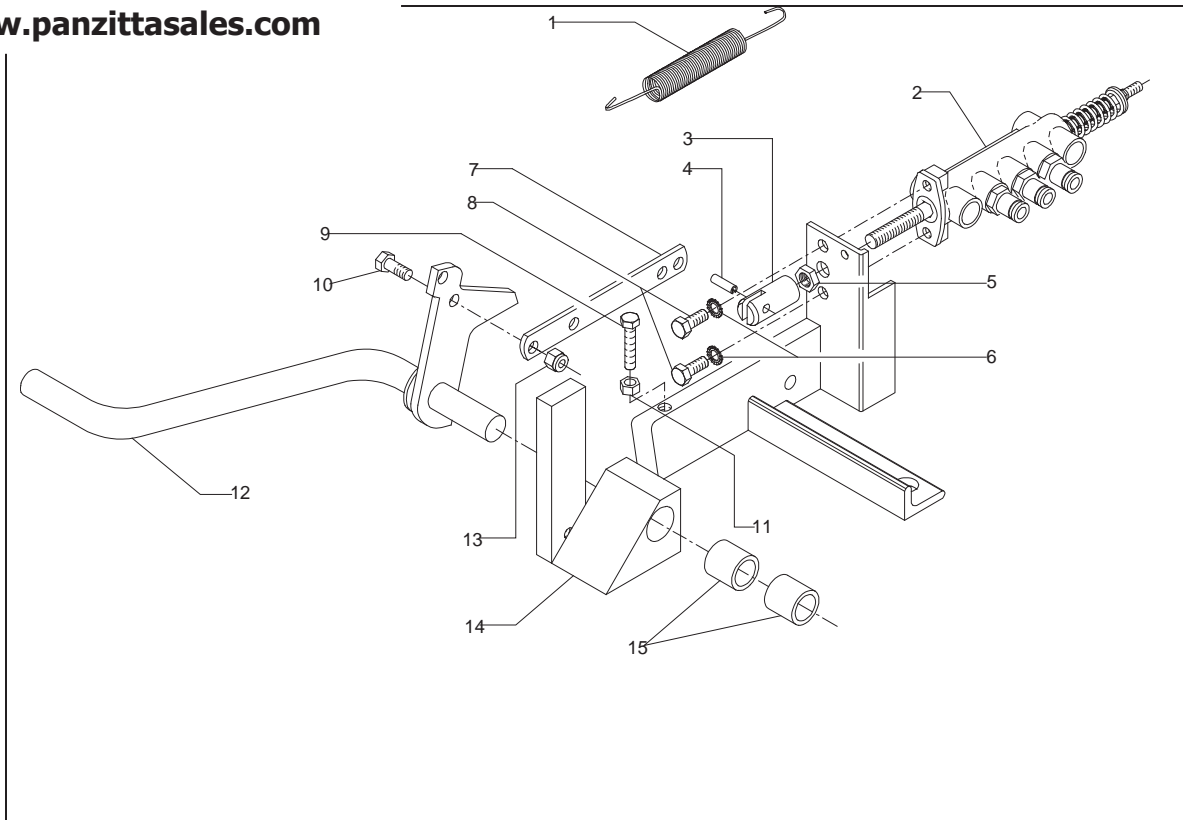
ITEM	DESCRIPTION	PART NUMBER	ITEM	DESCRIPTION	PART NUMBER
1	BELT, A27	ST0001890	10	WASHER, D8x24	ST7021102
2	BELT A29	ST0004772	11	WASHER, SHOCK ABSORBER	ST0010491
3	SCREW STEI 6X12 12K BR	ST7704519	12	NUT, M8 6S STAND, YELLOWCOAT	ST7020015
4	PULLEY, DOUBLE	ST0010858	13	WASHER, D8	ST7021015
5	SCREW STEI 6X10- PLANE 12K BR	ST7704529	14	SCREW TE 8X70 5S	ST7105431
6	MOTOR HP1	ST0003984	15	SCREW TE 8X25 8G	ST7105025
7	MOTOR SINGLEPHASE 230-1-50-HP	ST0019991	16	NUT M10 6S	ST7020125
8	SUPPORT,MOTOR	ST4014538	17	WASHER STOP D. 10	ST7021159
9	NUT - S.LOCK.,LOW- M8 5S	ST7020039	18	WASHER d.8	ST7021039



8950 / 8960 115 VAC, MOTOR & BRACKET ASSEMBLY

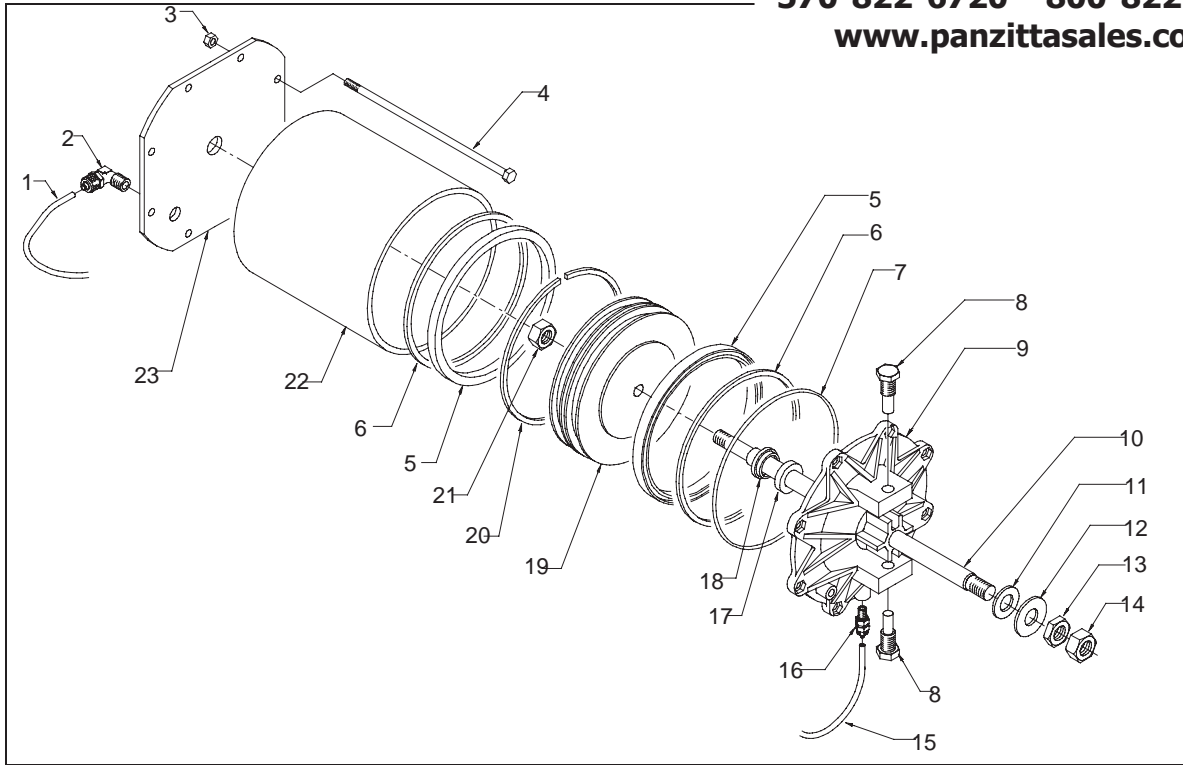
ITEM	DESCRIPTION	PART NUMBER	ITEM	DESCRIPTION	PART NUMBER
1	SCREW STEI 6X10 12K	ST7704239	10	SCREW TE 8X70 5S	ST7105431
2	PULLEY, DOUBLE D.16	ST0014548	11	SCREW TE 8X20 8G	ST7105109
3	BELT, A27	ST0001890	12	SUPPORT,MOTOR	ST4014538
4	SCREW STEI 6X10- PLANE 12K BR	ST7704529	13	NUT M10 6S	ST7020125
5	NUT - S.LOCK.,LOW- M8 5S	ST7020039	14	WASHER - STOP d.10	ST7021159
6	WASHER, D8x24	ST7021102	15	BOARD - TERMINAL 6MM	ST0001951
7	WASHER, SHOCK ABSORBER	ST0010491	16	115 VAC Motor	ST1014451
8	NUT, M8 6S STAND, YELLOWCOAT	ST7020015	17	WASHER d.8	ST7021039
9	WASHER, D8	ST7021015			

PANZITTA SALES & SERVICE
72 George Avenue
Wilkes-Barre, PA 18705
570-822-6720 800-822-6720
www.panzittasales.com



DUMP VALVE & LEVER ASSEMBLY

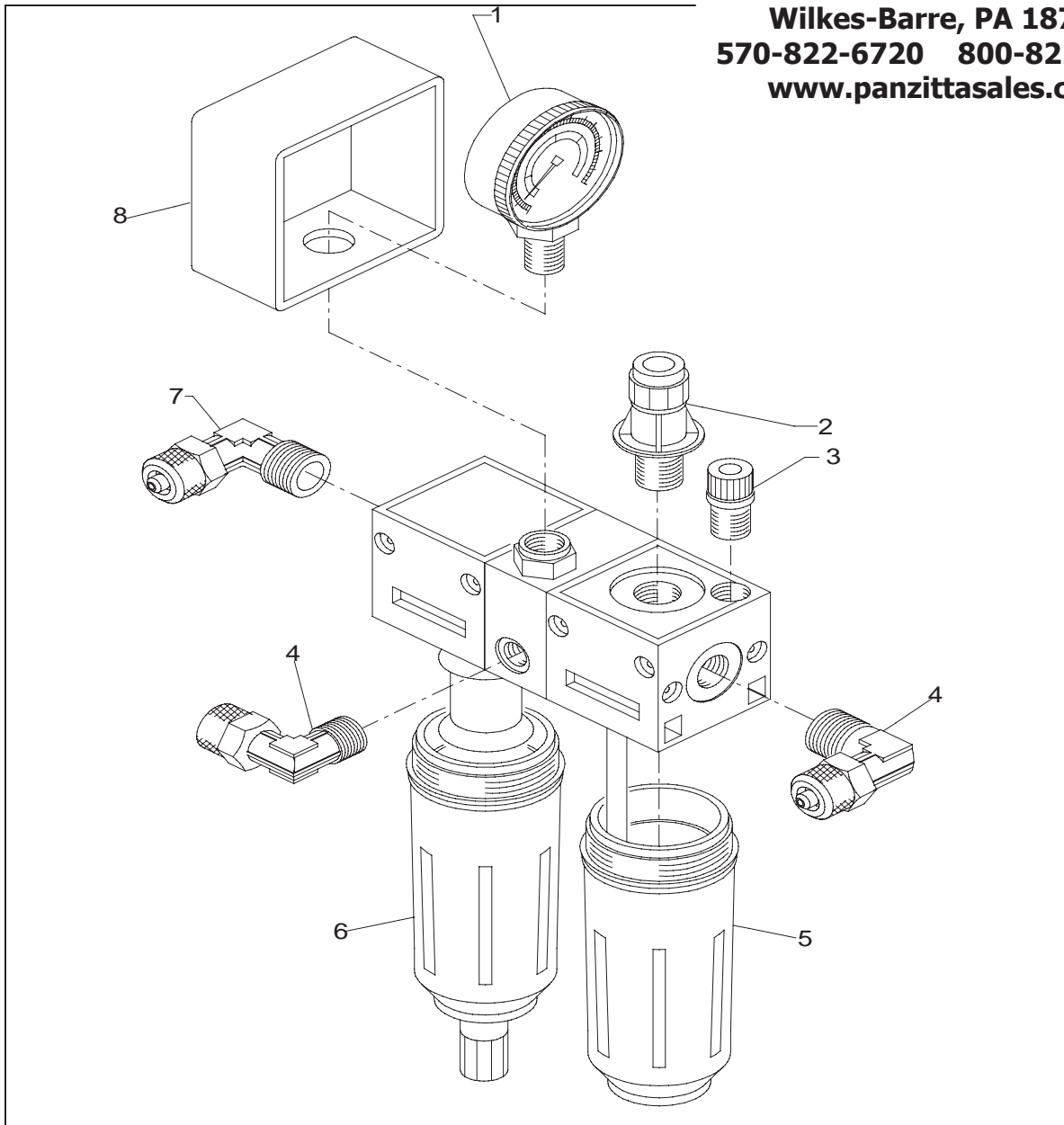
ITEM	DESCRIPTION	PART NUMBER	ITEM	DESCRIPTION	PART NUMBER
1	SPRING, RETURN	ST0002488	9	SCREW TE 6X25 8G	ST7104159
2	VALVE, CONTROL TUBEL.INFLATOR	ST4015652	10	SCREW (PEDAL)	ST0005643
3	YOKE-SPOOL	ST0002486	11	NUT Hex M6 6S	ST7020041
4	PIN-ROLL 4X16	ST7023059	12	PEDAL INFLATOR	ST4019233
5	NUT-HEX M8 6S	ST7020111	13	NUT - S.LOCK,LOW- M6	ST7020339
6	WASHER - LOCK D6	ST7021119	14	ANCHOR - PEDAL	ST4019223
7	LINK - PEDAL	ST0001255	15	PEDAL BUSHINGS	ST0009185
8	SCREW TE 6X12 8G	ST7104189	*	DUMP VALVE AND LEVER ASSY.	ST4019237



BEAD BREAKER CYLINDER – ALL MODELS

ITEM	DESCRIPTION	PART NUMBER	ITEM	DESCRIPTION	PART NUMBER
1	HOSE - AIR 6X8	ST0003398	13	NUT 18X1.5 6S BR	ST7020641
2	FITTING - L 6X8 1/8	ST0019819	14	NUT-CYLINDER,BEAD BREAKER	ST0016207
3	NUT, M8 6S STAND, YELLOWCOAT	ST7020015	15	HOSE - AIR 6X8	ST0008148
4	ROD-TENSION, BEAD BREAKER	ST0019970	16	FITTING-ST 6X8 1/8	ST0001924
5	SEAL - LIP N d.184	ST0001415	17	SEAL-LIP d.20	ST0001683
6	RING-PISTON, BEAD BREAKER	ST0001470	18	RETAINER-SEAL d.20	ST0001684
7	SEAL-OR 180X2	ST0001414	19	PISTON	ST0009279
8	SCREW,FITTING- CYLINDER B/BRE	ST0013265	20	RING- PLASTIC	ST0010597
9	END CAP-CYLINDER/BEAD BREAKER	ST0013409	21	NUT-LOCK M14 6S	ST7020141
10	ROD CILYNDER BEAD-BREAKER	ST0014852	22	LINER-CYLINDER WITH RING/ASSY	ST4007780
11	WASHER, FELT	ST0001188	23	PLATE-BOTTOM (BEAD BREAKER)	ST0006383
12	WASHER 50X20	ST0001472	*	BEAD BRKR. CYLINDER ASSEMBLY	ST4014897

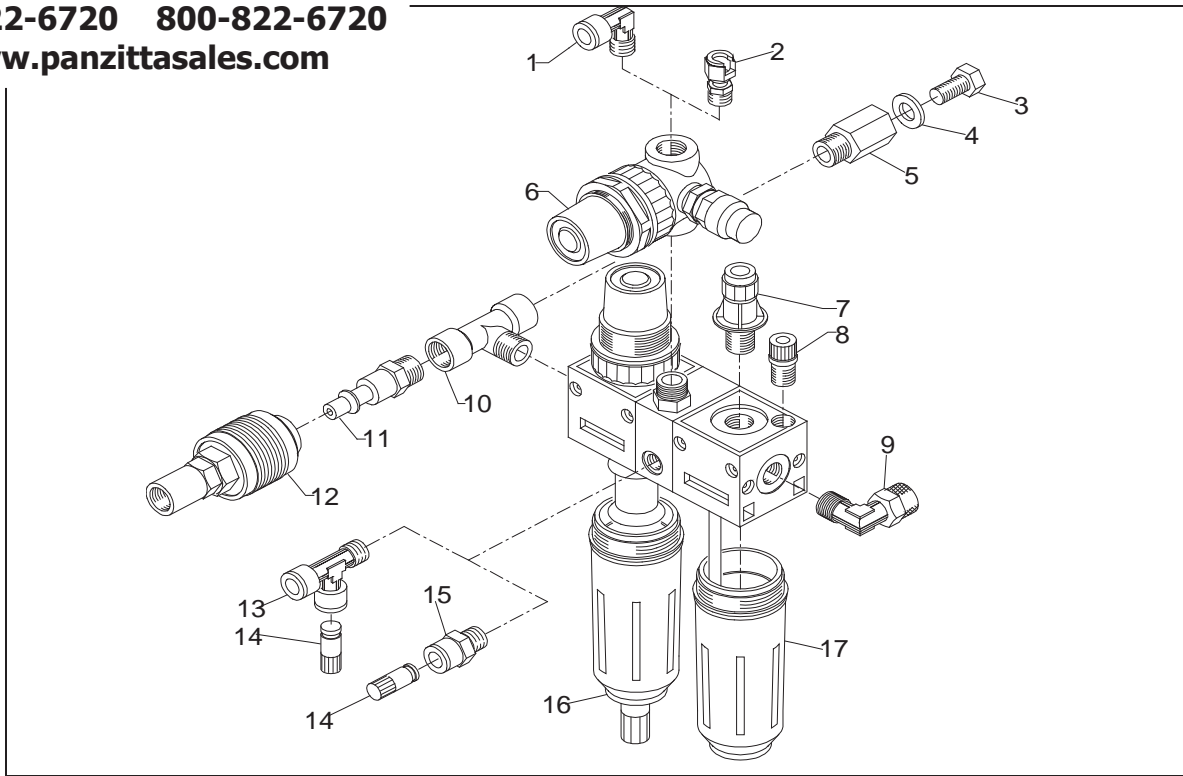
[BEAD BREAKER SEAL KIT ACC2401931SSK](#)



8950-8960 FILTER LUBRICATOR ASSEMBLY

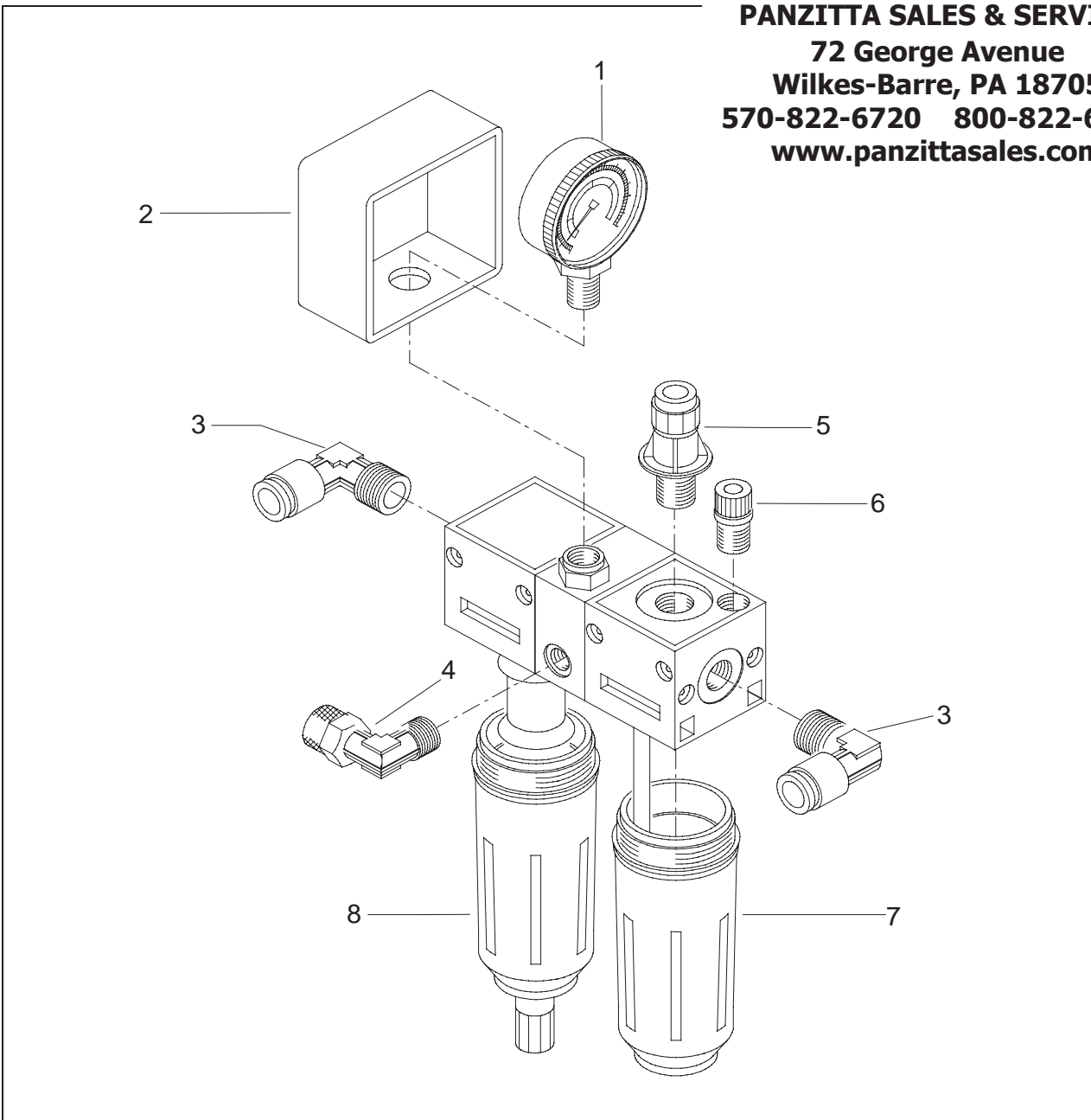
ITEM	DESCRIPTION	PART NUMBER	ITEM	DESCRIPTION	PART NUMBER
1	MANOMETER-RADIAL 0-16 D.40	ST0014514	6	BOWL, FILTER- COMPLETE	ST0021523
2	CAP + OR - OIL FLOWREGISTER	ST4010686	7	FITTING 90deg 6X8 1/4	ST0001432
3	CAP, OIL + OR	ST4010687	8	PROTECTION, MANOMETER	ST0022173
4	FITTING 90deg 6X8 1/4	ST0001432	*	LUBRIFIER ASSEMBLY	ST4022217
5	BOWL, LUBRIFIER COMPLETE	ST0021524			

PANZITTA SALES & SERVICE
72 George Avenue
Wilkes-Barre, PA 18705
570-822-6720 800-822-6720
www.panzittasales.com



8990 FILTER LUBRICATOR

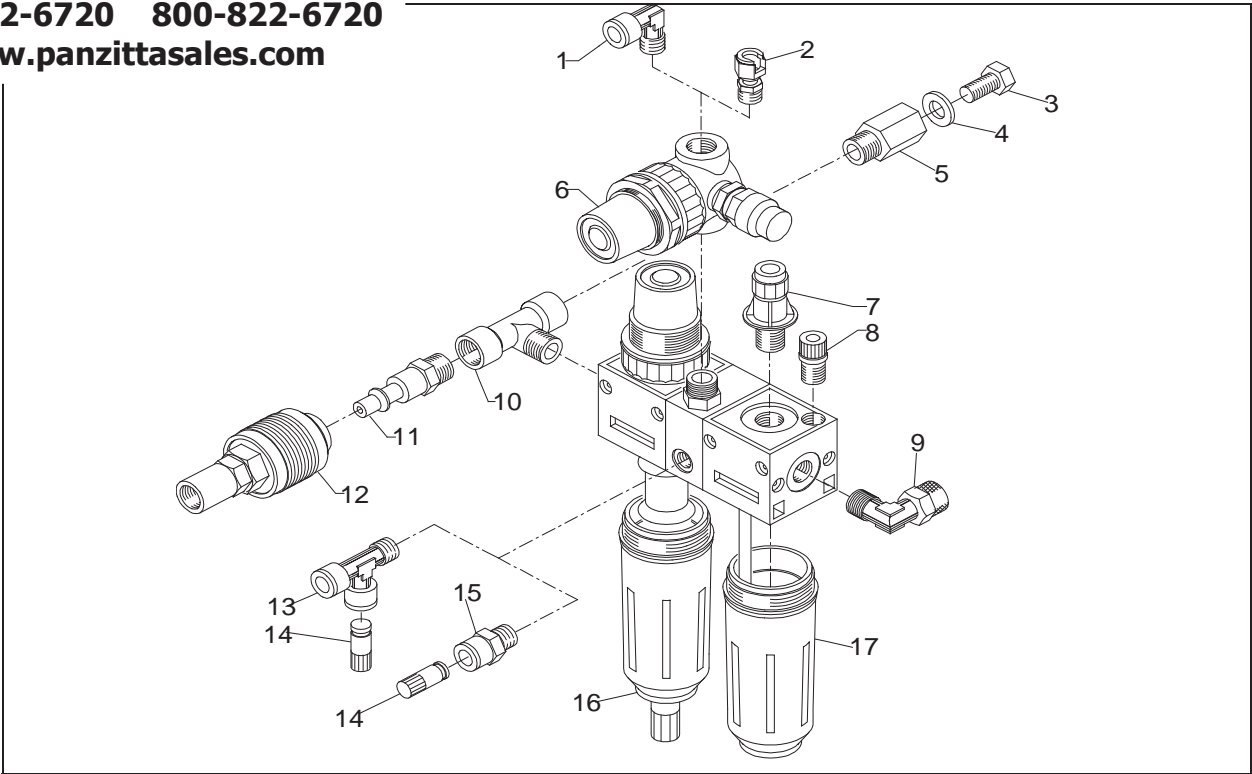
ITEM	DESCRIPTION	PART NUMBER	ITEM	DESCRIPTION	PART NUMBER
1	FITTING-90 DEG, L 6X8 1/4	ST0001926	10	FITTING - T CENTER FMF 1/4	ST0003089
2	FITTING, FEMALE 1/4	ST0001433	11	FITTING 1/4	ST0011708
3	SCREW, 8x16 8G	ST7105019	12	FITTING, L	ST0004675
4	WASHER, D8	ST7021015	13	FITTING T-QUICK 1/4 6X8	ST0022838
5	SPACER-HEX	ST0002668	14	CAP, FITTING D.8	ST0022839
6	REDUCTOR- PRESSURE	ST0017761	15	FITTING-ST 6X8 1/8	ST0001924
7	CAP + OR - OIL FLOWREGISTER	ST4010686	16	BOWL, FILTER- COMPLETE	ST0021523
8	CAP, OIL + OR	ST4010687	17	BOWL, LUBRIFIER COMPLETE	ST0021524
9	FITTING 90deg 6X8 1/4	ST0001432	*	FILTER LUBRIFIER ASSY.	ST4022388



8950/8960IN-A FILTER/LUBRICATOR ASSEMBLY

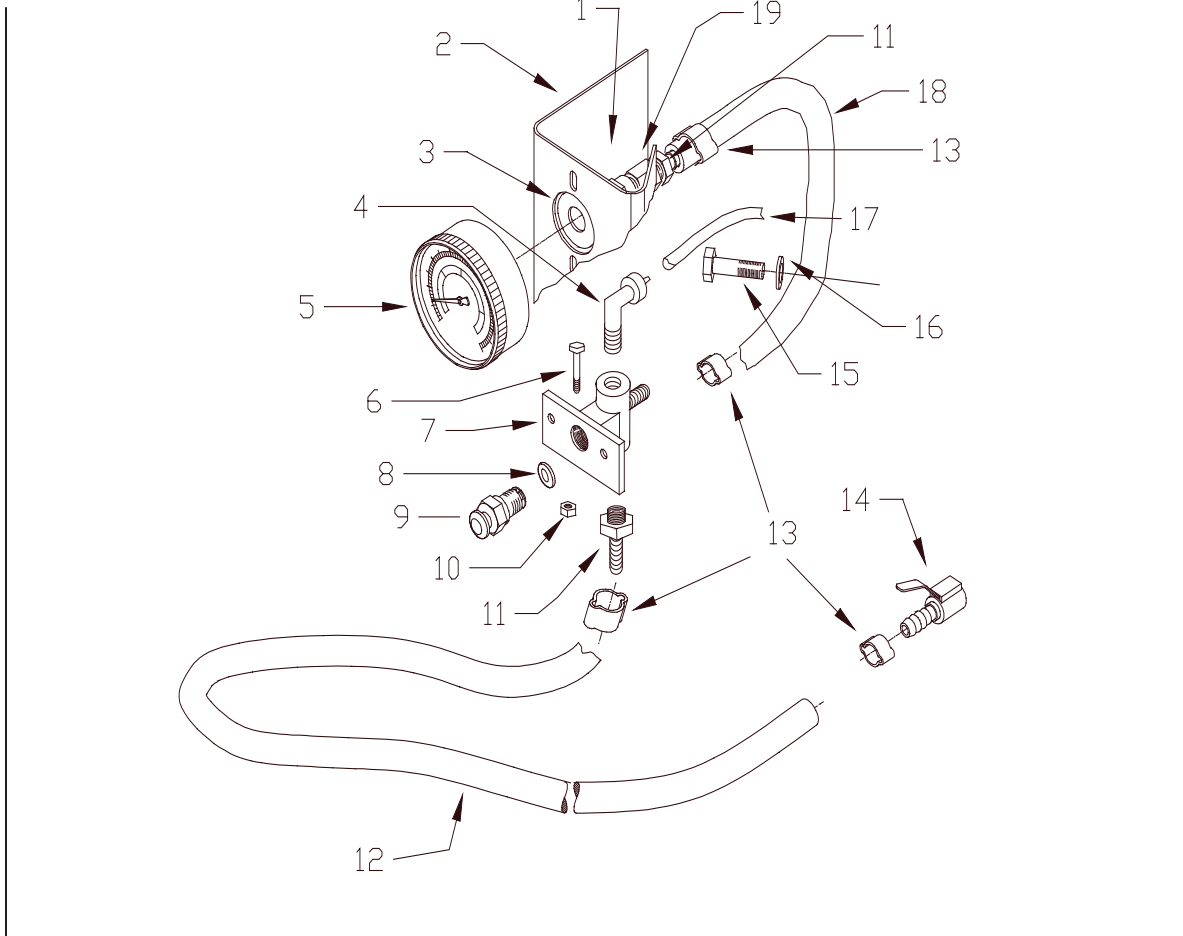
Item	Description	Part Number	Item	Description	Part Number
1	MANOMETER	ST0014114	6	CAP, OIL + OR	ST4010687
2	PROTECTION, MANOMETER	ST0022173	7	BOWL, OILER COMPLETE	ST0021524
3	FITTING 90deg. - 3/8	ST0023244	8	BOWL, SEPARATOR COMP.	ST0021523
4	FITTING 90deg 6X8 1/8	ST0001436	*	ASSY, FILTER-LUBRICATOR	ST4023253
5	CAP+OR-OIL FLOW REG.	ST4010686			

PANZITTA SALES & SERVICE
72 George Avenue
Wilkes-Barre, PA 18705
570-822-6720 800-822-6720
www.panzittasales.com



8990IN-A FILTER/LUBRICATOR ASSEMBLY

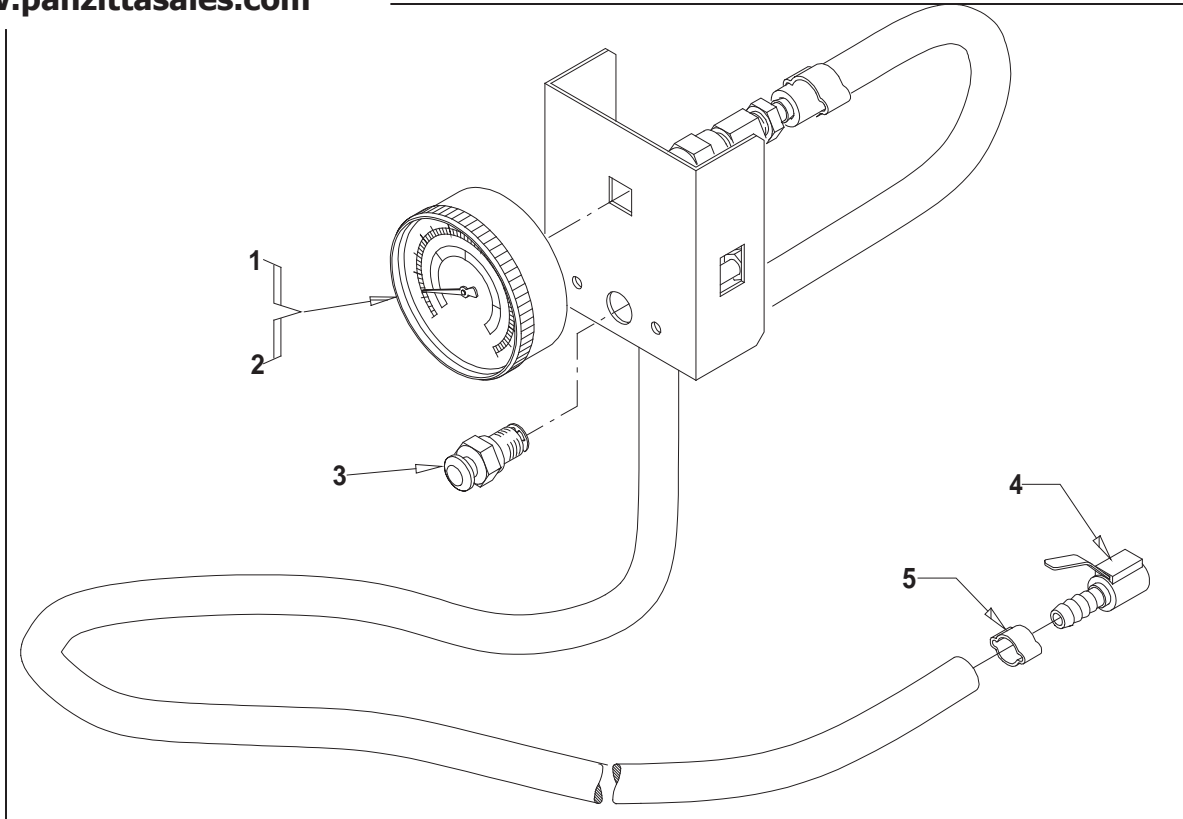
Item	Description	Part Number	Item	Description	Part Number
1	FITTING MF 3/8 BSP - 1/4 NPT	ST0019155	9	CAP, OIL + OR	ST4010687
2	EXTENSION MF 1/4"-3/8"	ST0011453	10	FITTING L 8X10 1/4	ST0023224
3	FITTING - T CENTER FMF 1/4	ST0003089	11	BOWL, OILER COMPLETE	ST0021524
4	FITTING 6X8 1/4	ST0023210	12	BOWL, SEP. COMPLETE	ST0021523
5	SPACER-HEX	ST0002668	13	CAP, FITTING D.8	ST0022839
6	WASHER d.8	ST7021015	14	FITTING T 6X8 1/8	ST0022842
7	SCREW 8X16 8G	ST7105019	*	ASSY, FILTER- RED.-LUBR.	ST4023574
8	CAP - OIL FLOW REGISTER	ST4010686			



8950/8960 Air Gauge and Hose Assembly

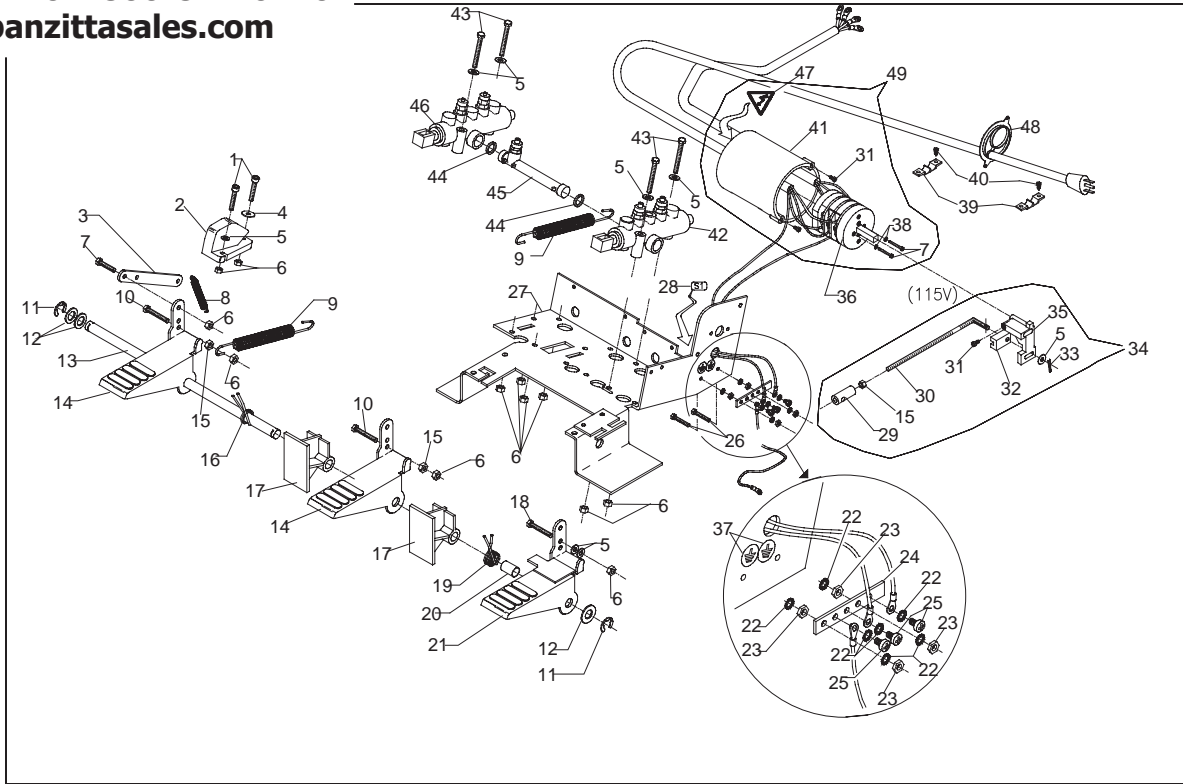
Item	Description	Part Number	Item	Description	Part Number
1	Reducer - 1/4 - 1/8	ST0019222	11	Fitting 1/8 d.6	ST0002610
2	Gauge Support Frame	ST0015865	12	Inflation Hose	ST0001427
3	Washer-Manometer,Ftng	ST0012183	13	Clip	ST0001535
4	Fitting - 90deg.-6X8	ST0001927	14	Plier-Inflation	ST0006993
5	Manometer	ST0014523	15	Screw - TE 8X25	ST7105025
6	Screw 8X30	ST7205099	16	Washer D8	ST7021015
7	Valve Bleeder	ST0010492	17	Hose, Air 6X8	ST0019551
8	Seal-O/ring	ST0001613	18	Manometer Hose-fitting	ST0011390
9	Bleeder Assy.	ST4016060	19	Fitting -1/8	ST0019181
10	Nut M8 - 6S	ST7020015	*	Manifold/Gauge Assy.	ST4019219

PANZITTA SALES & SERVICE
72 George Avenue
Wilkes-Barre, PA 18705
570-822-6720 800-822-6720
www.panzittasales.com



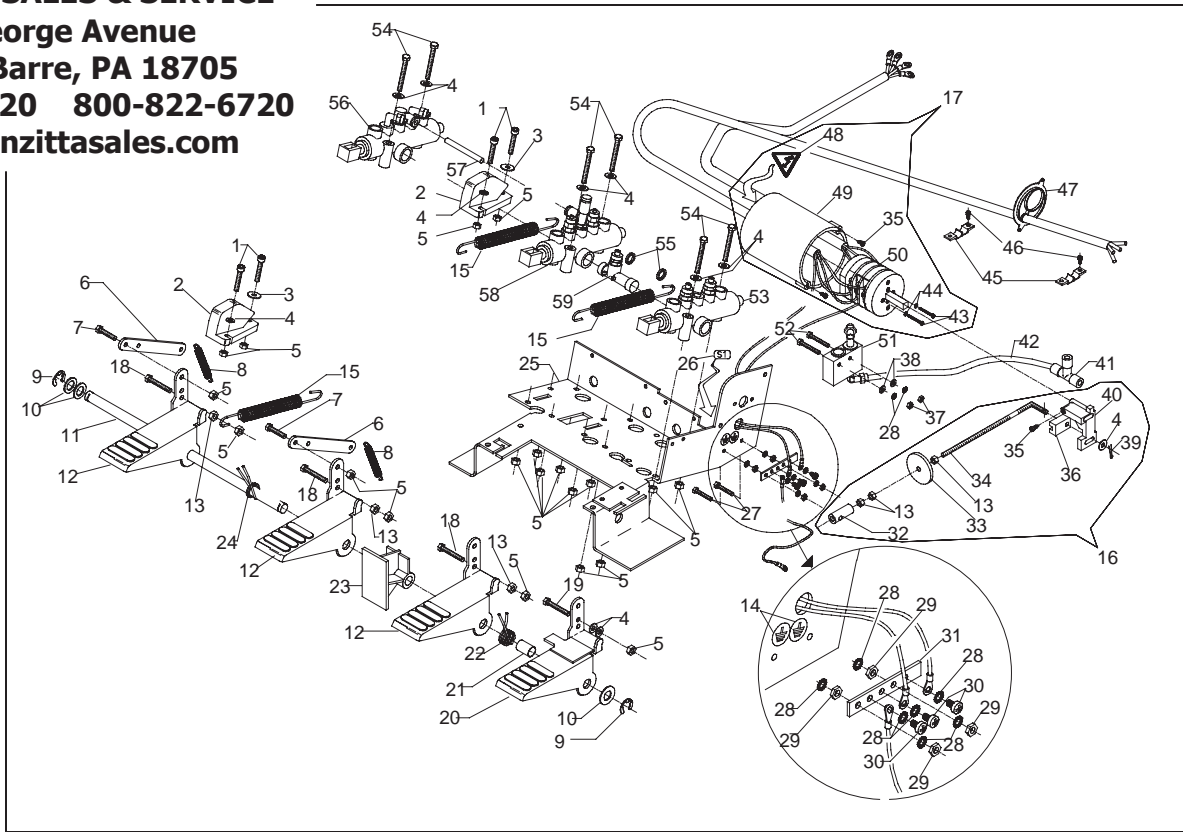
8990 AIR GAUGE & HOSE ASSEMBLY

ITEM	DESCRIPTION	PART NUMBER	ITEM	DESCRIPTION	PART NUMBER
1	MANOMETER CE APPROVED	ST0011781	4	PLIER - INFLATION	ST0006993
2	MANOMETER	ST0010947	5	CLIP	ST0001535
3	BLEEDER ASSY	ST4016060			



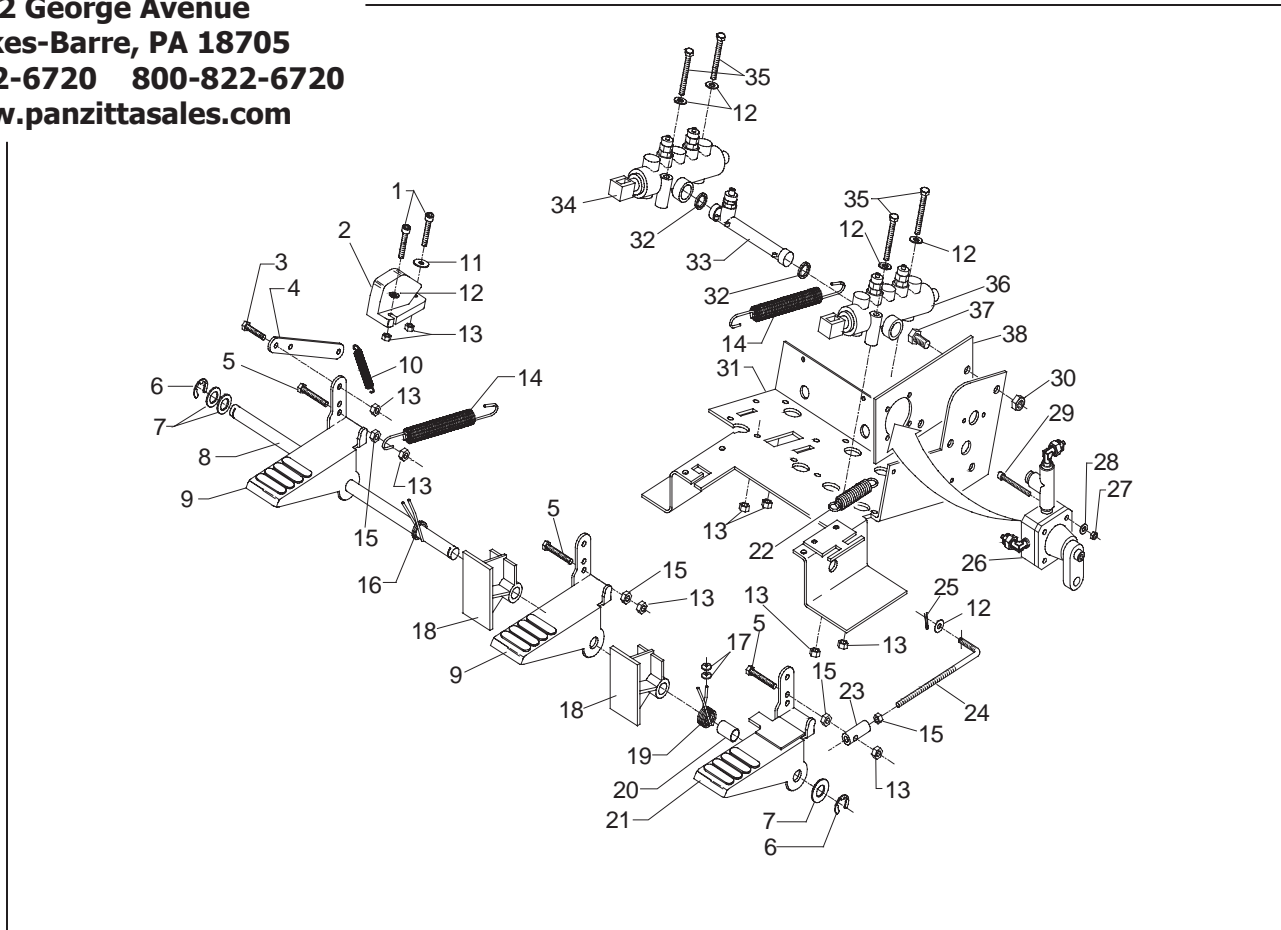
8950-8960 FOOT PEDAL ASSEMBLY

ITEM	DESCRIPTION	PART NUMBER	ITEM	DESCRIPTION	PART NUMBER
1	SCREW TCEI 6x20 8G	ST7204019	26	SCREW TE 4X20 BRASS UNI 5739	ST7102280
2	CAM-PEDAL	ST0005626	27	SUPPORT- ASSY PEDAL- RIGHT	ST4016513
3	ARM-DETENT	ST4005635	28	PLATE REVERSING GEAR S 1	ST0016453
4	WASHER, D 6x18	ST7021182	29	PIN, ADJUSTMENT- ROD	ST0001256
5	WASHER d.6	ST7021042	30	PIN, CONTROL - REVERSING GEAR	ST0016574
6	NUT - S.LOCK,LOW- M6	ST7020339	31	SCREW- SELFTHREAD. 10EX16 TE	ST7117031
7	SCREW TC 3X10	ST7301022	32	WASHER-GUIDE, ROD	ST0001727
8	SPRING-MOVEMENT, CLAMP	ST0002349	33	PIN-SPLIT 2X15	ST7024022
9	SPRING, RECALL PEDALS	ST0016984	34	ROD, REGISTER-REVERSING ASSY	ST4017161
10	SCREW TE 6X30 8G	ST7104049	35	LEVER - SWITCH ASSY	ST0005637
11	RING-SNAP d.10	ST7022039	36	SWITCH ASSY - 115V	ST0016433
12	WASHER -PISTON d.12	ST7021072		SWITCH ASSY - 230V Intl' use	ST0001896
13	SHAFT-HINGE, PEDAL	ST0005731	37	LABEL, GROUND	ST0017375
14	PEDAL	ST0009587	38	WASHER- GROWER d.3	ST7021149
15	NUT Hex M6 6S	ST7020041	39	RETAINER, CABLE	ST0001271
16	SPRING, BLOCKAGE-PIN	ST0016573	40	SCREW, S. THREAD 10Ex13TE	ST7117021
17	SPACER-PEDAL	ST0005654	41	REVERSE GEAR PROTECTION	ST0016452
18	SCREW TE 6X30 8G	ST7104439	42	VALVE, BEAD-BREAKER	ST4017159
19	SPRING, PEDAL SWITCH	ST0016103	43	SCREW TE 6X40 8G	ST7104289
20	BUSHING, CENTERING- SPRING	ST0016102	44	SEAL,O-RING	ST0004751
21	PEDAL-FOOT, MOTOR	ST4016330	45	HOSE CONNECTION, AIR	ST0016329
22	WASHER - d.4	ST7021199	46	VALVE, TURNTABLE	ST4009611
23	NUT M4 BRASS UNI 5588	ST7020670	47	DECAL, DANGER VDE	ST0008451
24	PLATE, EARTH	ST0017374	48	PROTECTOR,CABLE + HOSE GUIDA	ST0013173
25	SCREW TCB 4X8 4S DIN 7986	ST7302211	49	REVERSING SWITCH MONOPH.+ CAB	ST4017395
			*	COMPLETE FOOT PEDAL ASSY.	ST4022202



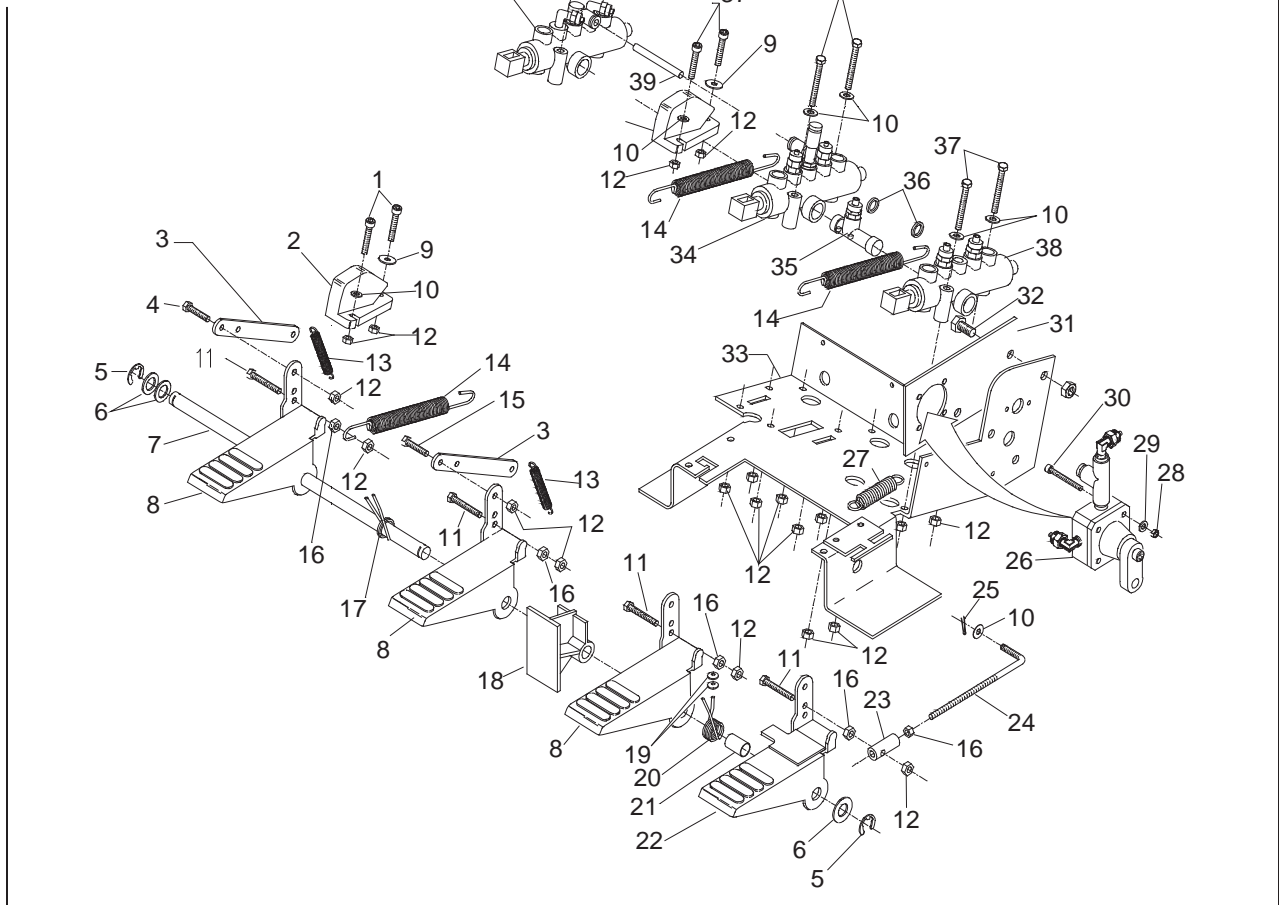
8990 FOOT PEDAL ASSEMBLY

ITEM	DESCRIPTION	PART NUMBER	ITEM	DESCRIPTION	PART NUMBER
1	SCREW TCEI 6x20 8G	ST7204019	31	PLATE, EARTH	ST0017374
2	CAM-PEDAL	ST0005626	32	PIN, ADJUSTMENT- ROD	ST0001256
3	WASHER, D 6x18	ST7021182	33	WASHER- REGISTER,REVERSING GE	ST0016575
4	WASHER d.6	ST7021042	34	PIN, CONTROL - REVERSING GEAR	ST0016574
5	NUT - S.LOCK,LOW- M6	ST7020339	35	SCREW- SELF-THREAD. 10EX16 TE	ST7117031
6	ROD, POSITIONNING - PEDAL	ST4019747	36	WASHER-GUIDE, ROD	ST0001727
7	SCREW (PEDAL)	ST0005643	37	NUT, M4 6S	ST7020091
8	SPRING-MOVEMENT, CLAMP	ST0002349	38	WASHER, D4	ST7021232
9	RING-SNAP d.10	ST7022039	39	PIN-SPLIT 2X15	ST7024022
10	WASHER -PISTON d.12	ST7021072	40	LEVER - SWITCH ASSY	ST0005637
11	SHAFT-HINGE, PEDAL	ST0005731	41	FITTING T 4X6	ST0004785
12	PEDAL	ST0009587	42	CONNECTION LATCH FEMALE 14 WA	ST0015012
13	NUT Hex M6 6S	ST7020041	43	SCREW TC 3X10	ST7301022
14	LABEL, GROUND	ST0017375	44	WASHER- GROWER d.3	ST7021149
15	SPRING, RECALL PEDALS	ST0016984	45	RETAINER CABLE	ST0001271
16	ROD, REGISTER- REVERSING ASSY	ST4017248	46	SCREW, S. THREAD 10Ex13TE	ST7117021
17	REVERSING SWITCH ASSY	ST4017395	47	PROTECTOR,CABLE + HOSE GUIDE	ST0013173
18	SCREW TE 6X30 8G	ST7104049	48	DECAL, DANGER VDE	ST0008451
19	SCREW TE 6X30 8G	ST7104439	49	REVERSE GEAR PROTECTOR	ST0016452
20	PEDAL-FOOT, MOTOR	ST4016330	50	SWITCH ASSY 115V	ST0016433
21	BUSHING, CENTERING- SPRING	ST0016102	51	SWITCH ASSY 230V Intl' use	ST0001896
22	SPRING, PEDAL SWITCH	ST0016103	52	VALVE-SPEED VARIATOR	ST4009108
23	SPACER-PEDAL	ST0005655	53	SCREW TE 4X30 8G	ST7102169
24	SPRING, BLOCKAGE-PIN	ST0016573	54	VALVE, BEAD-BREAKER	ST4017159
25	SUPPORT- ASSY PEDAL- RIGHT	ST4016513	55	SCREW TE 6X40 8G	ST7104289
26	PLATE REVERSING GEAR S 1	ST0016453	56	SEAL,O-RING	ST0004751
27	SCREW TE 4X20 BRASS UNI 5739	ST7102280	57	VALVE TOWER, TILTING	ST4017256
28	WASHER - d.4	ST7021199	58	HOSE - AIR 4X6	ST0003996
29	NUT M4 BRASS UNI 5588	ST7020670	59	VALVE,TURNTABLE 4P	ST4017255
30	SCREW TCB 4X8 4S DIN 7986	ST7302211		HOSE, CONNECTION	ST0016327
			*	COMPLETE FOOT PEDAL ASSY.	ST4021982



8950/8960IN-A FOOT PEDAL ASSEMBLY

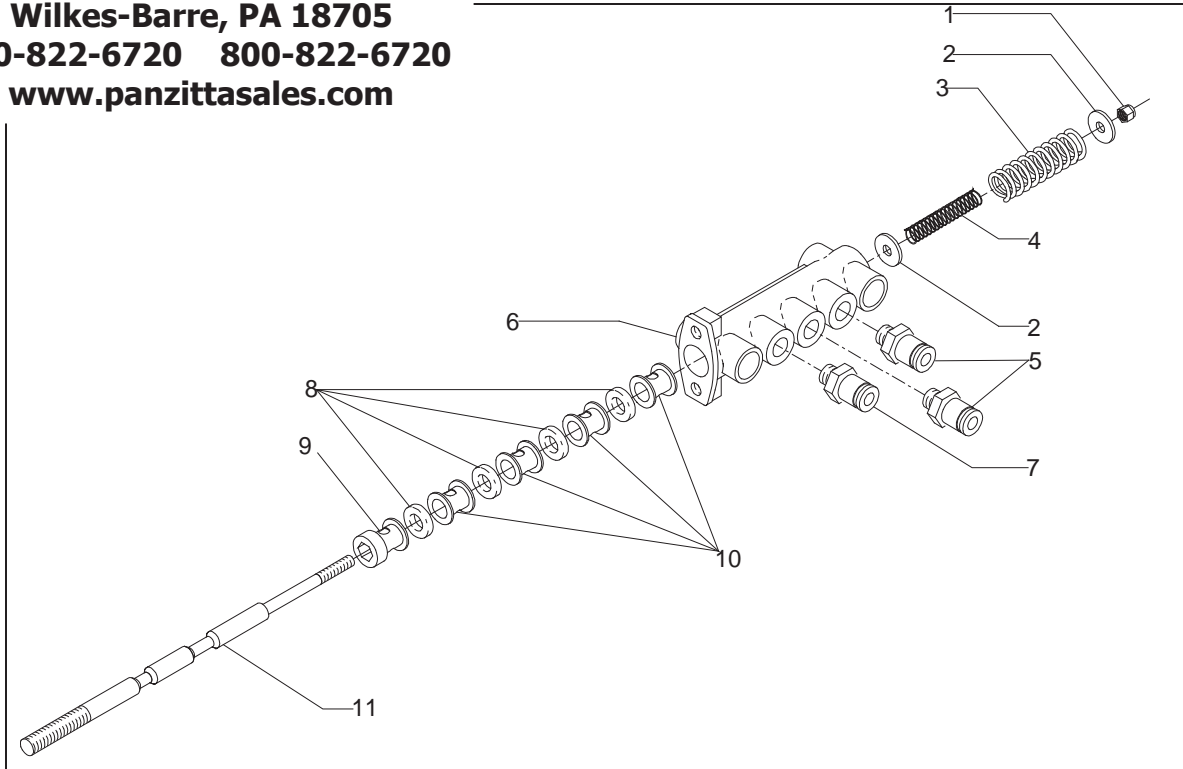
Item	Description	Part Number	Item	Description	Part Number
1	SCREW TCEI 6X20 8G	ST7204019	20	BUSHING,CNTRNG-SPRING	ST0016102
2	CAM-PEDAL	ST0005626	21	PEDAL-FOOT, MOTOR	ST4016330
3	SCREW TC 3X10	ST7301022	22	SPRING- TENSION	ST0000431
4	ARM-DETENT	ST4005635	23	PIN, ADJUSTMENT- ROD	ST0001256
5	SCREW TE 6X30 8G	ST7104049	24	SHAFT, REG-REVERSE	ST0023208
6	RING-SNAP d.10	ST7022039	25	PIN-SPLIT 2X15	ST7024022
7	WASHER -PISTON d.12	ST7021072	26	VALVE, MOTOR- PNEU	ST4023221
8	SHAFT-HINGE, PEDAL	ST0005731	27	NUT - M4 6S	ST7020091
9	PEDAL	ST0009587	28	WASHER	ST7021232
10	SPRING-MOVEMENT, CLAMP	ST0002349	29	SCREW TCEI 4X40 8G	ST7202109
11	WASHER - d.6X18	ST7021182	30	NUT	ST7021232
12	WASHER d.6	ST7021042	31	SUPPORT- ASSY PEDAL- RT	ST4016513
13	NUT - S.LOCK,LOW- M6	ST7020339	32	SEAL-OR	ST0004751
14	SPRING, RECALL PEDALS	ST0016984	33	HOSE CONNECTION, AIR	ST0016329
15	NUT-HEX. M6 6S	ST7020041	34	VALVE, TURNTABLE	ST4009611
16	SPRING, BLOCKAGE-PIN	ST0016573	35	SCREW TE 6X40 8G	ST7104289
17	WASHER, LOCK - PIN 3.5 mm	ST7052050	36	VALVE, BEAD-BREAKER	ST4017159
18	SPACER-PEDAL	ST0005654	37	SCREW 8X16 8G	ST7105019
19	SPRING, PEDAL SWITCH	ST0016103	38	PLATE, SUPPORT, VALVE	ST0023209



8990IN-A FOOT PEDAL ASSEMBLY

Item	Description	Part Number	Item	Description	Part Number
1	SCREW TCEI 6X20 8G	ST7204019	21	BSHNG, CENTERING SPRING	ST0016102
2	CAM-PEDAL	ST0005626	22	PEDAL-FOOT, MOTOR	ST4016330
3	SCREW (PEDAL)	ST4019747	23	PIN, ADJUSTMENT- ROD	ST0001256
4	ROD, POSITION - PEDAL	ST0005643	24	SHAFT, REG.-REVERSING	ST0023208
5	RING-SNAP d.10	ST7022039	25	PIN-SPLIT 2X15	ST7024022
6	WASHER -PISTON d.12	ST7021072	26	VALVE, MOTOR- PNEUMATIC	ST4023221
7	SHAFT-HINGE, PEDAL	ST0005731	27	QUESTIONABLE	ST0000431
8	PEDAL	ST0009587	28	NUT - M4 6S	ST7020091
9	WASHER - d.6X18	ST7021182	29	WASHER - d.4	ST7021232
10	WASHER d.6	ST7021042	30	SCREW TCEI 4X40 8G	ST7202109
11	SCREW TE 6X30 8G	ST7104049	31	PLATE, SUPPORT, VALVE	ST0023209
12	NUT - S.LOCK,LOW- M6	ST7020339	32	SCREW 8X16 8G	ST7105019
13	SPRING-MOVEMENT, CLAMP	ST0002349	33	SUPPORT- ASSY PEDAL- RT	ST4016513
14	SPRING, RECALL PEDALS	ST0016984	34	VALVE,TURNTABLE 4P	ST4017255
15	SCREW (PEDAL)	ST0005643	35	HOSE, CONNECTION	ST0016327
16	NUT-HEX. M6 6S	ST7020041	36	SEAL-OR	ST0004751
17	SPRING, BLOCKAGE-PIN	ST0016573	37	SCREW TE 6X40 8G	ST7104289
18	SPACER-PEDAL	ST0005655	38	VALVE, BEAD BREAKER	ST4023584
19	WASHER, LOCK - PIN 3.5 mm	ST7052050	39	HOSE - AIR 4X6	ST0003996
20	SPRING, PEDAL SWITCH	ST0016103	40	VALVE LX	ST4017262

PANZITTA SALES & SERVICE
72 George Avenue
Wilkes-Barre, PA 18705
570-822-6720 800-822-6720
www.panzittasales.com

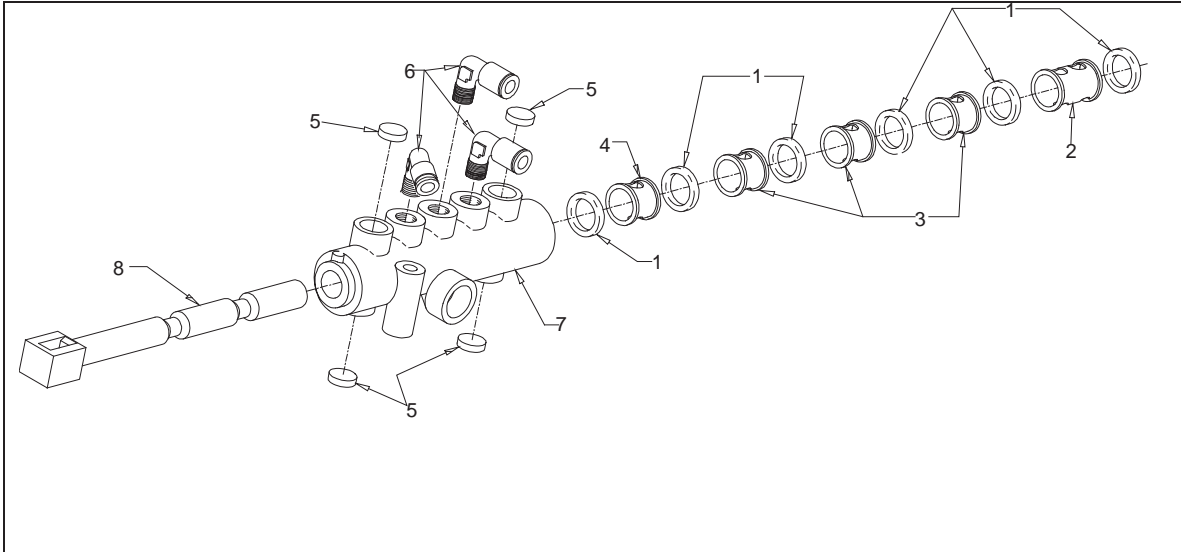


DUMP VALVE

VALVE ASSEMBLY – ST4015652

ITEM	DESCRIPTION	PART NUMBER	ITEM	DESCRIPTION	PART NUMBER
1	NUT M5, SELF-LOCKING, HIGH	ST7020479	7	FITTING - STRAIGHT 4X6 1/8	ST0001923
2	WASHER - D.5X16X1	ST7021082	8	SEAL - "O" RING 16X8X4	ST0001402
3	SPRING - LOCK, TOOLHOLDER ARM	ST0010241	9	INSERT - VALVE	ST0001202
4	SPRING - RECALL, PIVOT VALVE	ST0001775	10	INSERT - VALVE	ST0001203
5	FITTING - ST. 6X8 1/8	ST0001924	11	AXEL VALVE, INFLATOR	ST0013010
6	HOUSING, VALVE - BEAD BREAKER	ST0009353			

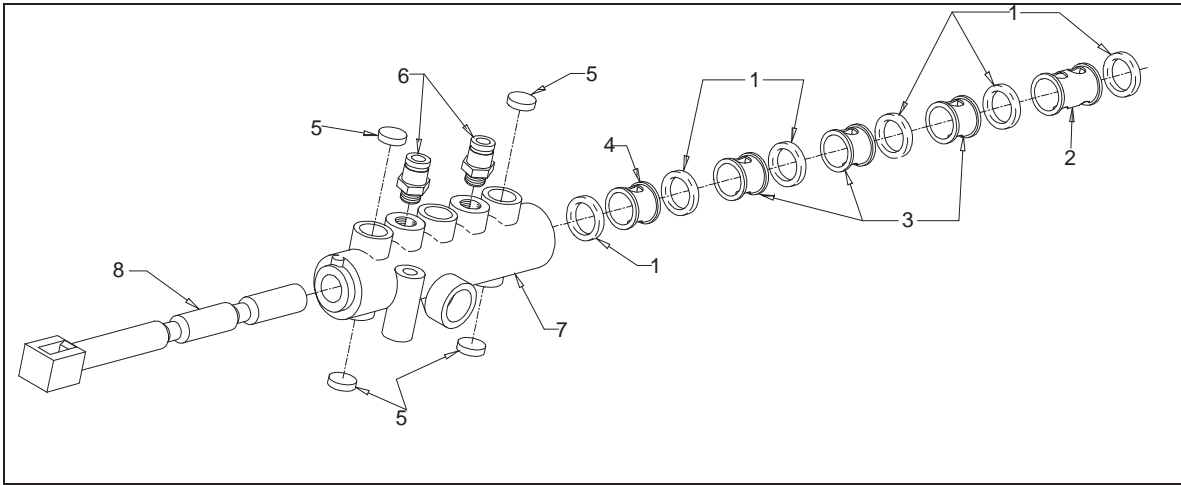
PANZITTA SALES & SERVICE
72 George Avenue
Wilkes-Barre, PA 18705
570-822-6720 800-822-6720
www.panzittasales.com



8990 TOWER TILT CYLINDER VALVE
VALVE ASSEMBLY – ST4011732

ITEM	DESCRIPTION	PART NUMBER	ITEM	DESCRIPTION	PART NUMBER
1	SEAL - "O" RING	ST0005349	5	WASHER-MUFFLER D.12	ST0009361
2	SPACER - "O" RING	ST0016566	6	FITTING 90, SWIVEL	ST0005140
3	SPACER - "O" RING	ST0010673	7	VALVE, TOWER TILTING	ST0017259
4	SPACER - "O" RING	ST0016326	8	SHAFT, VALVE-TURNTABLE	ST0009977

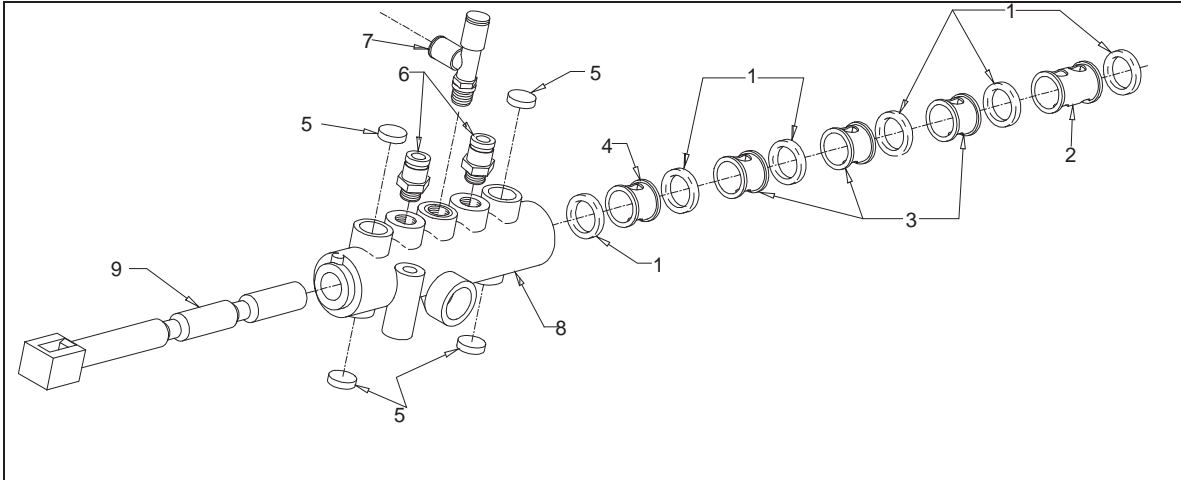
PANZITTA SALES & SERVICE
72 George Avenue
Wilkes-Barre, PA 18705
570-822-6720 800-822-6720
www.panzittasales.com



8900 BEAD BREAKER VALVE ASSEMBLY
VALVE ASSEMBLY – ST4017159

ITEM	DESCRIPTION	PART NUMBER	ITEM	DESCRIPTION	PART NUMBER
1	SEAL "O" RING	ST0005349	5	WASHER-MUFFLER D.12	ST0009361
2	SPACER "O" RING	ST0016566	6	FITTING - ST. 6X8 1/8	ST0001924
3	SPACER "O" RING	ST0010673	7	HOUSING, VALVE-CYL, BEAD BREAKER	ST0009510
4	SPACER "O" RING	ST0016326	8	SHAFT, VALVE-TURNTABLE	ST0009977

PANZITTA SALES & SERVICE
72 George Avenue
Wilkes-Barre, PA 18705
570-822-6720 800-822-6720
www.panzittasales.com

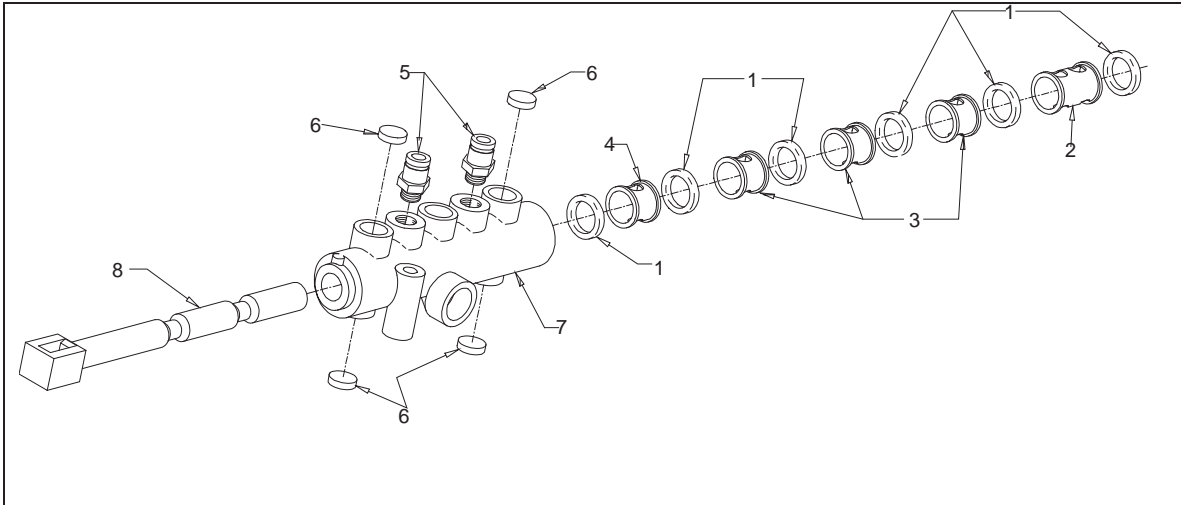


8990 TURNTABLE VALVE ASSEMBLY

Valve Assembly – ST4017255

ITEM	DESCRIPTION	PART NUMBER	ITEM	DESCRIPTION	PART NUMBER
1	SEAL "O" RING	ST0005349	6	FITTING-STRAIGHT 4X6 1/8	ST0001923
2	SPACER "O" RING	ST0016566	7	FITTING- HOSE"T"-4X6 1/8	ST0001928
3	SPACER "O" RING	ST0010673	8	VALVE BODY	ST0009859
4	SPACER "O" RING	ST0016326	9	SHAFT, VALVE-TURNTABLE	ST0009977
5	WASHER-MUFFLER D.12	ST0009361			

PANZITTA SALES & SERVICE
72 George Avenue
Wilkes-Barre, PA 18705
570-822-6720 800-822-6720
www.panzittasales.com



8950 – 8960 TURNTABLE VALVE ASSEMBLY
Valve Assembly– ST4009611

ITEM	DESCRIPTION	PART NUMBER	ITEM	DESCRIPTION	PART NUMBER
1	SEAL "O" RING	ST0005349	5	FITTING - STRAIGHT 4X6 1/8	ST0001923
2	SPACER "O" RING	ST0016566	6	WASHER - MUFFLER D.12	ST0009361
3	SPACER "O" RING	ST0010673	7	HOUSING, VALVE - TURNTABLE	ST0016322
4	SPACER "O" RING	ST0016326	8	SHAFT, VALVE- TURNTABLE	ST0009977

PANZITTA SALES & SERVICE
72 George Avenue
Wilkes-Barre, PA 18705
570-822-6720 800-822-6720
www.panzittasales.com

Safety Restraint Arm Assemblies

Description	Part Number
SRA - 8950IN/8950INA	00087438000
SRA - 8960IN/8960INA	00087439000
SRA - 8990IN/8990INA	00087440000
SRA Rubber Wheel Contact Pad	ST0022711
SRA Cam Valve (ALL)	ST4022702

Black Plastic Hose by the foot

4 X 6 blk hose	ST2618001
6 X 8 blk hose	ST2618004
8 X 10 blk hose	ST2618002

Part Assemblies 8900 Series

Description	Part Number
Dump Valve (ALL)	ST4015652
Dump Valve and Lever Assembly (ALL)	ST4019237
8900 Tower Tilt Assembly	ST4017256
Bead Breaker Valve Assembly	ST4017159
8990 Turntable Valve Assembly	ST4017255
8950 - 8960 Turntable Valve Assembly	ST4009611
Bead Breaker Cylinder (ALL)	ST4014897
8950 - 8960 Filter Lubricator Assembly	ST4022217
8990 Filter Lubricator Assembly	ST4022388
8950 - 8960 Air Gauge and Hose Assembly	ST4019219
8990 Air Gauge and Hose Assembly	ST4022205
Mount Demount Head Assembly (ALL)	ST4011066
Pneumatic Pressure Limiter Assembly (ALL)	ST4019985
8950 - 8960 Inflation Distributor Assembly	ST4022180
8950 - 8960 Turntable Cylinder Assembly	ST4022172
8990 Inflation Distributor Assembly	ST4022178
8990 Turntable Cylinder Assembly	ST4022182
8950 - 8960 Reversing Switch Assembly	ST4017395
8900 Reversing Switch Assembly	ST4017394