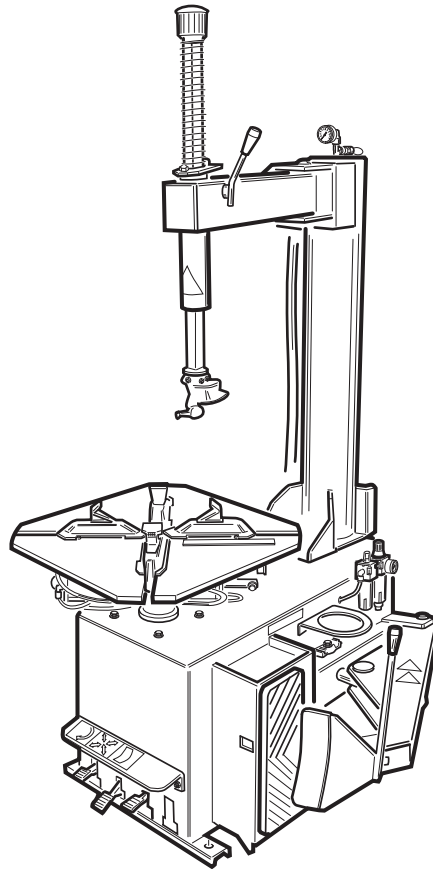


AS914 TI

PANZITTA SALES & SERVICE
72 George Avenue
Wilkes-Barre, PA 18705
570-822-6720 800-822-6720
www.panzittasales.com

Pezzi di ricambio / Spare parts list

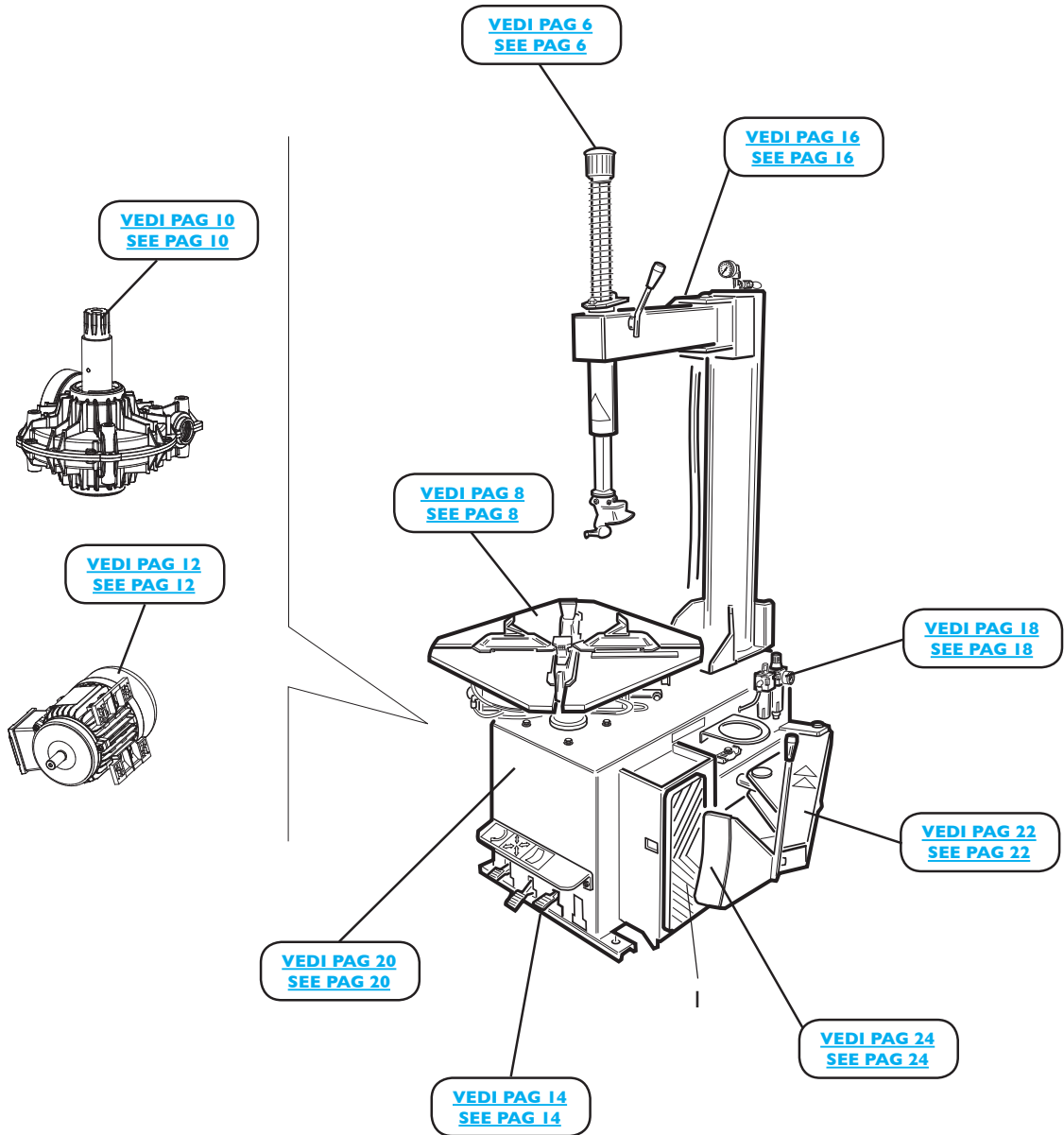


Code: 4-104327D

Production date: 04 / 2016



COMPLESSIVO AS914 TI AS914 TI OVERALL

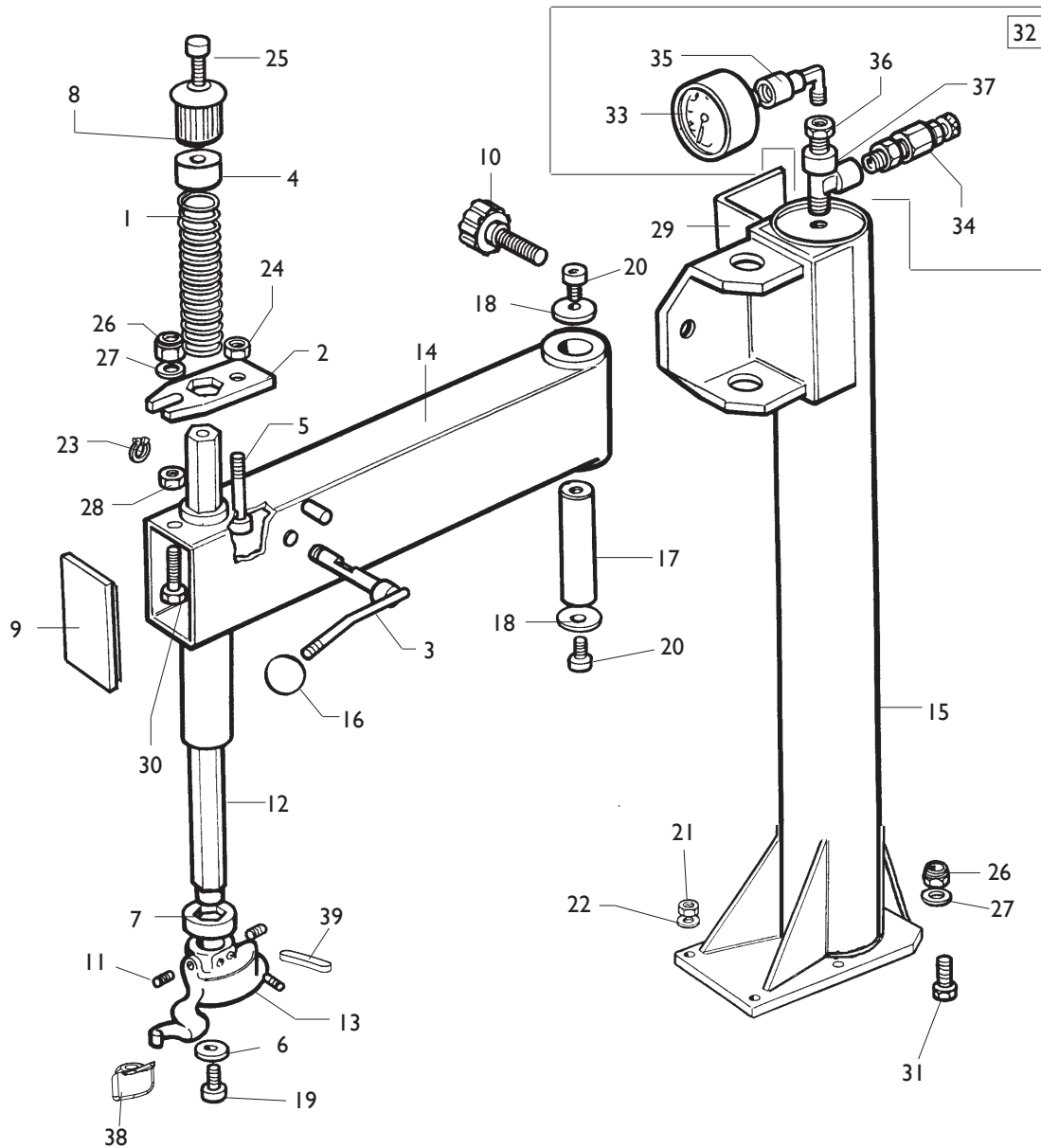


PANZITTA SALES & SERVICE
72 George Avenue
Wilkes-Barre, PA 18705
570-822-6720 800-822-6720
www.panzittasales.com

Rif. Ref.	Codice Code	Descrizione	Description
I	35016507	APPOGGIO CERCHIO	RIM SUPPORT

PANZITTA SALES & SERVICE
72 George Avenue
Wilkes-Barre, PA 18705
570-822-6720 800-822-6720
www.panzittasales.com

GRUPPO BRACCIO OPERANTE OPERATING ARM GROUP

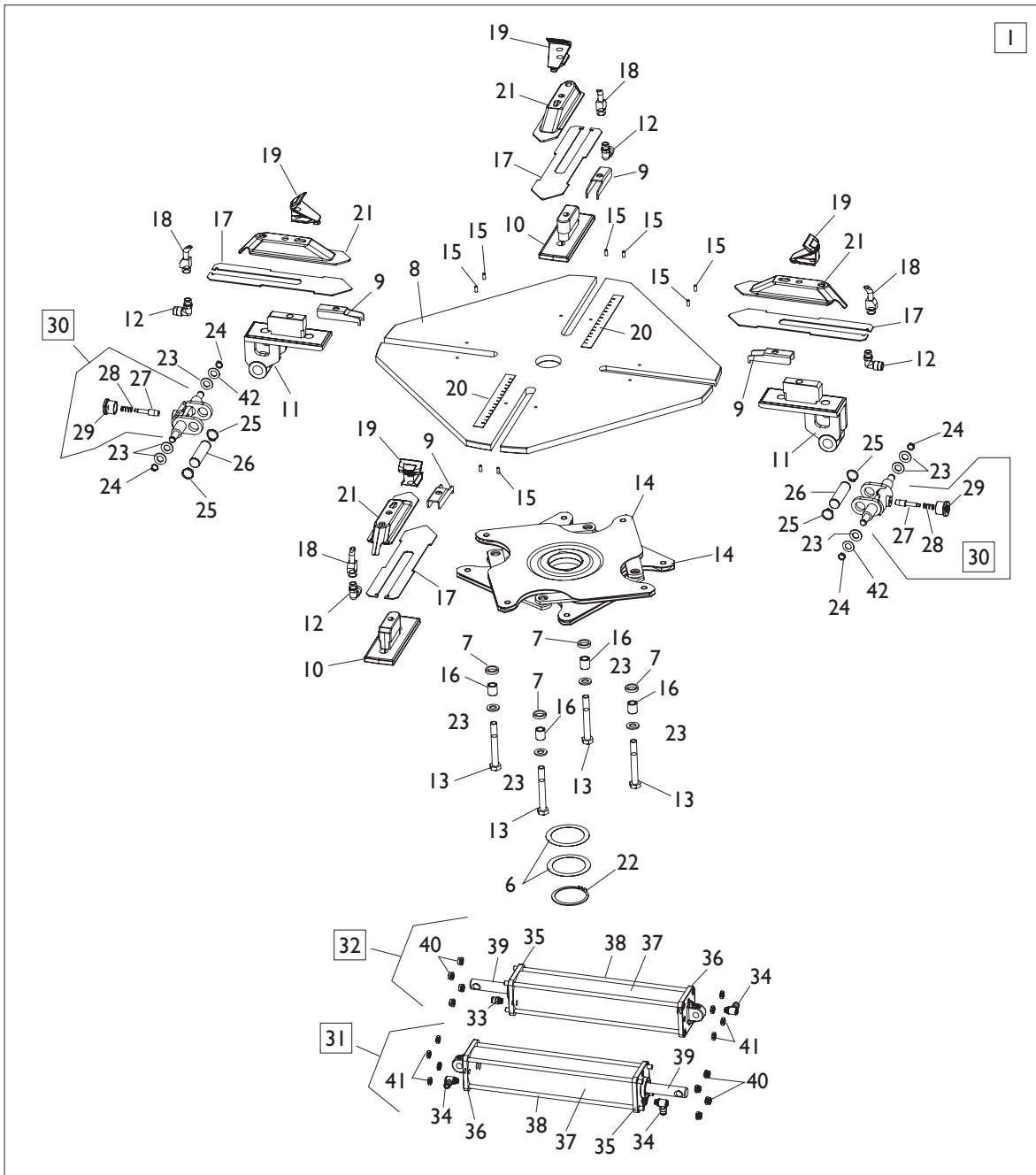
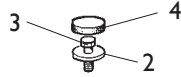


PANZITTA SALES & SERVICE
 72 George Avenue
 Wilkes-Barre, PA 18705
 570-822-6720 800-822-6720
www.panzittasales.com

Rif. Ref.	Codice Code	Descrizione	Description
1	440341	MOLLA D.44,5X3,2X532	SPRING D.44,5X3,2X532
2	341001	PIASTRA BLOCCAGGIO VERTICALE	VERTICAL LOCKING PLATE
3	223877	LEVA CON ECCENTRICO	LEVER
4	346273	PIASTRINA PER NOTTOLINO	PLATE
5	341249	VITE SPECIALE M12X50	SPECIAL SCREW M12X50
6	350194	RONDELLA D.12X33X5	WASHER D.12X33X5
7	428681	ANELLO AMMORTIZZATORE	DAMPING RING
8	423907	POMOLO	KNOB
9	429971	COPERCHIO	COVER
10	441580	MANOPOLA M20X1,5	HANDLE M20X1,5
11	2-71537	VSTEI M12X16	CSK SCREW SOCKET M12X16
12	340343	BRACCIO VERTICALE	VERTICAL ARM
13	5-104101	TORRETTA COMPLETA	HEAD ASSEMBLY
14	238779	BRACCIO A BANDIERA	ORIZONTAL ARM
15	5-101130	PALO	ARM
16	87221002	MANOPOLA	HANDLE
17	323881	PERNO BRACCIO	ARM PIN
18	318216	RONDELLA D.12,5X50X4	WASHER D.12,5X50X4
19	350197	VITE SPECIALE FISS.TORRETTA M10X20	SPECIAL SCREW M10X20
20	2-01225	VTE M12X25	HEXAGON HEAD SCREW M12X25
21	2-01275	DADO ES.N. M10	NORMAL HEXAGON NUT M10
22	441631	RONDELLA D.48X13X3	WASHER D.48X13X3
23	2-00025	SEEGER D.12	SEEGER D.12
24	2-00153	DADO ES. M12	HEXAGON NUT M12
25	2-01312	VTCEI 1/2F M8X80	HEXAGON SOCKET HEAD SCREW 1/2F M8X80
26	2-01019	DADO ES.A. M10	AUTOLOCKING HEXAGON NUT M10
27	2-00213	RONDELLA D.10	WASHER D.10
28	2-00152	DADOES. M10	HEXAGON NUT M10
29	338808	SUPPORTO SCATOLA GONFIAGGIO	INFLATION BOX SUPPORT
30	2-00382	VTE M10X45	HEXAGON HEAD SCREW M10X45
31	2-00430	VTE 1/2F M10X65	HEXAGON HEAD SCREW 1/2F M10X65
32	241608	GRUPPO MANOMETRO	GAUGE ASSEMBLY
33	3-00488	MANOMETRO D.40 1/8 0-12 BAR/PSI	PRESSURE GAUGE D.40 1/8 0-12 BAR/PSI
34	3-00356	LIMITATORE DI PRESSIONE	VALVE
35	3-00138	RACCPN-L G1/8	L-FITTING G1/8
36	3-00271	RACCPN-G3/8-1/8F	FITTING G3/8-1/8F
37	3-00131	RACCPN-TL-G3/8CG-FF	TL-FITTING G3/8CG-FF
38	442019	INSERTO NERO	BLACK INSERT
39	456533	INSERTO NERO	BLACK INSERT

PANZITTA SALES & SERVICE
72 George Avenue
Wilkes-Barre, PA 18705
570-822-6720 800-822-6720
www.panzittasales.com

GRUPPO AUTOCENTRANTE 10-24" TURNTABLE GROUP 10-24"



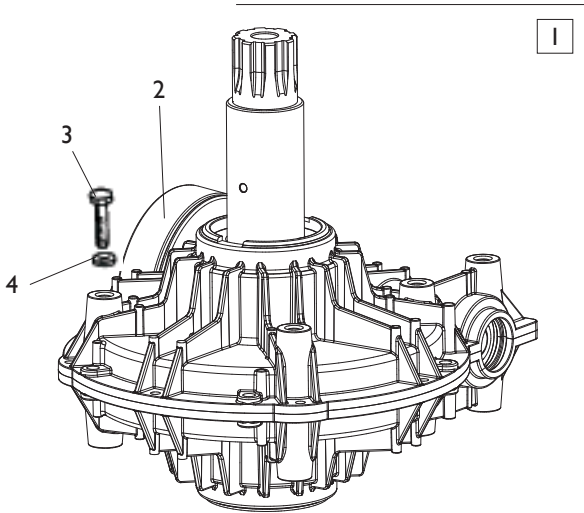
PANZITTA SALES & SERVICE
 72 George Avenue
 Wilkes-Barre, PA 18705
 570-822-6720 800-822-6720
www.panzittasales.com

Rif. Ref.	Codice Code	Descrizione	Description
1	5-100384	GRUPPO AUTOCENTRANTE T.I. 10-24"	TURNTABLE ASSEMBLY T.I. 10-24"
2	323363	RONDELLA D.16,5X48X10	WASHER D.16,5X48X10
3	2-01216	VTE M16X1,5X35	HEXAGON HEAD SCREW M16X1,5X35
4	426514	TAPPO TONDO	ROUND CAP
5	238548	KIT GUARNIZIONI CILINDRI	CYLINDERS SEAL KIT
6	455082	RONDELLA D.65X85X0,4	WASHER D.65X85X0,4
7	437964	RONDELLA D.18,5X25X5	WASHER D.18,5X25X5
8	4-101438	PIATTO AUTOCENTRANTE 10-24"	TURNTABLE PLATE 10-24"
9	4-102892	LAMIERA	PLATE
10	4-101122	APP. SCORREVOLE TRAINATO	RIM SUPPORT
11	4-101721	APP. SCORREVOLE TRAINANTE	RIM SUPPORT
12	3-00517	RACCPN-LO-G1/4-T10 T.I.	LO-FITTING T.10 T.I.
13	2-03295	VTE 1/2F M12X95	HEXAGON HEAD SCREW 1/2F M12X95
14	4-101651	FLANGIA COMANDO BIELLE	FLANGE CONTROL RODS
15	2-01059	SPINA D.5X12	PLUG D.5X12
16	337965	BOCCOLA D.12X18X20	BUSHING D.12X18X20
17	4-102891	SLITTA COPRIASOLA 10-24"	PLATE 10-24"
18	4-101918	UGELLO T.I.	NOZZLE T.I.
19	3008225	GRIFFA BLOCCAGGIO	WEDGE
20	4-101456	RIGHELLO MISURA POLLICI 10-24"	RULER MEASUREMENT INCHES 10-24"
21	4-101871	SCORREVOLE T.I.	SLIDER T.I.
22	2-01283	ANELLO D.65	SEEGER D.65
23	2-00214	RONDELLA D.12	WASHER D.12
24	2-00025	SEEGER D.12	SEEGER D.12
25	2-71587	SEEGER D.20	SEEGER D.20
26	4-101442	PERNO	PIN
27	4-101444	INNESTO	CONNECTION
28	4-101422	MOLLA D.1,2X10X20	SPRING D.1,2X10X20
29	4-109834	POMOLO	KNOB
30	5-103522	KIT MANOVELLE + POMOLI (2PZ)	KNOB KIT (2 PIECES)
31	5-100455	CILINDRO DX D.70X304,5 10-24"	RIGHT CYLINDER D.70X304,5 10-24"
32	5-100454	CILINDRO SX D.70X304,5 10-24"	LEFT CYLINDER D.70X304,5 10-24"
33	3-02045	RACCPN-D- G1/8 T6 + O-RING	D-FITTING G1/8 WITH O-RING
34	3-02044	RACCPN-LO- G1/8 T6 + O-RING	LO-FITTING G1/8 WITH O-RING
35	5-105111	FLANGIA ANTERIORE D.70	FRONT FLANGE D.70
36	4-115948	FLANGIA POSTERIORE D.70	REAR FLANGE D.70
37	4-115951	CAMICIA D.70X338,5 10-24"	LINER D.70X338,5 10-24"
38	4-115949	TIRANTE D.7X368 M8 10-24"	TIE ROD D.7X368 M8 10-24"
39	4-115959	STELO D.20X437	STEM D.20X437
40	2-01137	DADO ES.A. M8	AUTOLOCKING HEXAGON NUT M8
41	2-00156	DADO ES. M8	HEXAGON NUT M8
42	428636	ROND D.12.3 x 22.8 x 1	WASHER D.12.3 x 22.8 x 1

PANZITTA SALES & SERVICE
72 George Avenue
Wilkes-Barre, PA 18705
570-822-6720 800-822-6720
www.panzittasales.com

GRUPPO RIDUTTORE GEARBOX GROUP

PANZITTA SALES & SERVICE
72 George Avenue
Wilkes-Barre, PA 18705
570-822-6720 800-822-6720
www.panzittasales.com



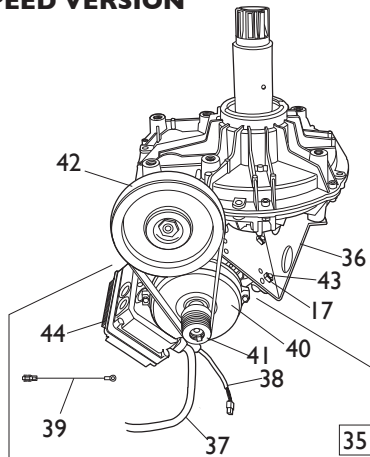
**TORNA AL COMPLESSIVO
RETURNS TO OVERALL**

Rif. Ref.	Codice Code	Descrizione	Description
1	5-102650	RIDUTTORE 1V	GEARBOX 1 SPEED
1	5-102651	RIDUTTORE PNEUMATICO	GEARBOX PNEUMATIC
1	5-101783	RIDUTTORE 2V	GEARBOX 2 SPEED
2	314344	PULEGGIA 1V	PULLEY 1 SPEED
2	319073	PULEGGIA PNEUMATICA	PULLEY PNEUMATIC
2	339870	PULEGGIA 2V	PULLEY 2 SPEED
3	2-01046	VTE M10X55	HEXAGON HEAD SCREW M10X55
4	2-00213	RONDELLA D.10	WASHER D.10

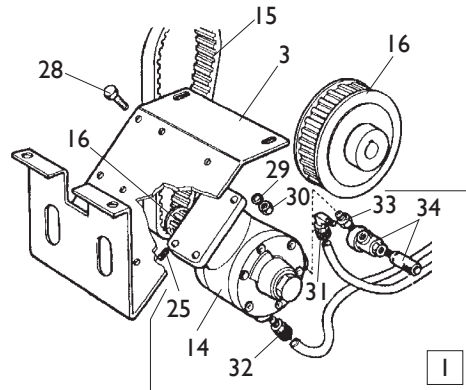
PANZITTA SALES & SERVICE
72 George Avenue
Wilkes-Barre, PA 18705
570-822-6720 800-822-6720
www.panzittasales.com

IMPIANTO ELETTRICO ELECTRICAL SYSTEM

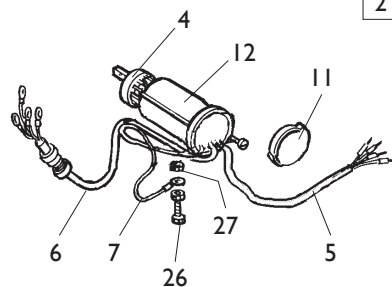
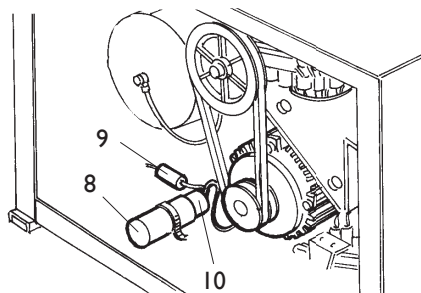
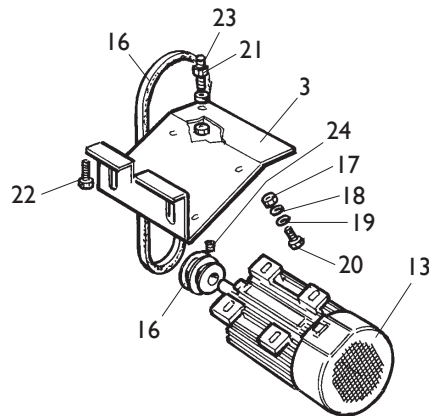
**VERSIONE DV
2 SPEED VERSION**



**VERSIONE PNEUMATICA
PNEUMATIC VERSION**



**VERSIONE 3ph / 1ph
3ph / 1ph VERSION**



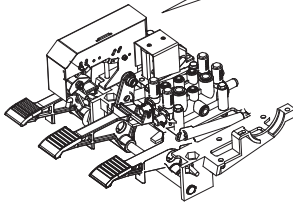
PANZITTA SALES & SERVICE
72 George Avenue
Wilkes-Barre, PA 18705
570-822-6720 800-822-6720
www.panzittasales.com

Rif. Ref.	Codice Code	Descrizione	Description
1	236726	MOTORE PNEUMATICO CON PULEGGIA	PNEUMATIC MOTOR ASSEMBLY
2	5-103989	IMPIANTO ELETTRICO 115V 1ph	ELECTRICAL SYSTEM 115V 1ph
2	235574	IMPIANTO ELETTRICO 400/230V 3ph	ELECTRICAL SYSTEM 400/230V 3ph
3	334768	CULLA MOTORE	MOTOR SUPPORT
4	5-102742	INVERTITORE	INVERTER
5	447801	CAVO RETE 115V 1ph	SUPPLY CABLE 115V 1ph
5	235518	CAVO RETE 400/230V 3ph	SUPPLY CABLE 440/230V 3ph
6	249590	CAVO MOTORE 115V 1ph	MOTOR CABLE 115V 1ph
6	225390	CAVO MOTORE 400/230V 3ph	MOTOR CABLE 400/230V 3ph
7	249601	CAVO DI MASSA L.350mm 115V 1ph	U-BOLT L.350mm 115V 1ph
7	225051	CAVO DI MASSA L.350mm 400/230V 3ph	U-BOLT L.350mm 400/230V 3ph
8	430750	CAPPELLOTTO D.45 115V 1ph	CAP NUT 115V 1ph
8	414850	CAPPELLOTTO 230V 1ph	CAP NUT 230V 1ph
9	430770	RESISTENZA 330K OHM	RESISTANCE 330K OHM
10	4-112706	CONDENSATORE 50mf 115V 1ph	CAPACITOR 50mf 115V 1ph
10	449750	CONDENSATORE 35mf 230V 1ph	CAPACITOR 35mf 230V 1ph
11	430991	COPERCHIO PROTEZIONE	LID
12	432065	PROTEZIONE INVERTITORE	INVERTER COVER
13	422013	MOTORE 400/230V 3ph	MOTOR 400/230V 3ph
13	4-112454	MOTORE 115V 1ph	MOTOR 115V 1ph
14	319135	MOTORE PNEUMATICO	PNEUMATIC MOTOR
15	3-00555	CINGHIA MOTORE 3ph / 1ph	MOTOR BELT 3ph / 1ph
15	3-00585	CINGHIA MOTORE PNEUMATICO	BELT FOR PNEUMATIC MOTOR
16	331067	PULEGGIA MOTORE 3ph / 1ph	MOTOR PULLEY 3ph / 1ph
16	319076	PULEGGIA MOTORE PNEUMATICO	PULLEY FOR PNEUMATIC MOTOR
17	421349	DADO ES.A. M8	AUTOLOCKING HEXAGON NUT M8
18	339208	RONDELLA D.8,5X22X4	WASHER D.8,5X22X4
19	2-00212	RONDELLA D.8	WASHER D.8
20	2-00374	VTE M8X25	HEXAGON HEAD SCREW M8X25
21	2-00152	DADO ES. M10	HEXAGON NUT M10
22	2-00328	VTCEI M10X20	HEXAGON SOCKET HEAD SCREW M10X20
23	455920	VSTEI SPECIALE M10X60	SPECIAL SCREW M10X60
24	2-01091	VSTEI M6X5	CSK SCREW SOCKET M6X5
25	2-00801	VSTEI M6X6	CSK SCREW SOCKET M6X6
26	2-00605	VITE M4X10	SCREW M4X10
27	2-00143	DADO ES. M4	HEXAGON NUT M4
28	2-00363	VTE M6X25	HEXAGON HEAD SCREW M6X25
29	2-00211	RONDELLA D.6	WASHER D.6
30	422288	DADO ES.A. M6	AUTOLOCKING HEXAGON NUT M6
31	3-00109	RACCPN-L G1/8C T10/8	L-FITTING G1/8C T10/8
32	3-00040	RACCPN-D G1/4C T10/8	D-FITTING G1/4C T10/8
33	3-00141	NIPPLO G1/4C	NIPPLES G1/4C
34	3-00316	VALVOLA G1/8	VALVE G1/8
35	5-104995	MOTOINV. DV 115V/1/50-60HZ	MOTOINV. 2 SPEED 115V/1/50-60HZ
36	4-109965	CULLA MOTOINVERTER DV	MOTOINVERTER SUPPORT
37	4-111586	CAVO RETE MOTOINVERTER	MOTOINVERTER SUPPLY CABLE
38	4-109895	CAVO COMANDI MOTOINVERTER	MOTOINVERTER COMMAND CABLE
39	4-101659	CAVO DI MASSA L.400mm Mi	MOTOINVERTER U-BOLT L.400mm
40	4-113412	MOTOINVERTER (NO SK) 230/115V	MOTOINV. (NO P.C. BOARD) 230/115V
41	4-102397	PULEGGIA MOTOINVERTER	MOTOINVERTER PULLEY
42	3-00573	CINGHIA MOTOINVERTER	MOTOINVERTER BELT
43	2-00375	VTE M8X30	HEXAGON HEAD SCREW M8X30
44	4-113414	SK MOTOINVERTER 115V	MOTOINVERTER P.C. BOARD 115V

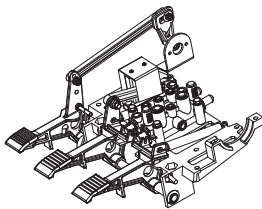
GRUPPO PEDALIERA PEDAL GROUP

PANZITTA SALES & SERVICE
 72 George Avenue
 Wilkes-Barre, PA 18705
 570-822-6720 800-822-6720
 www.panzittasales.com

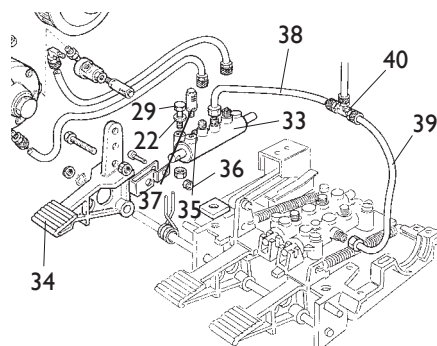
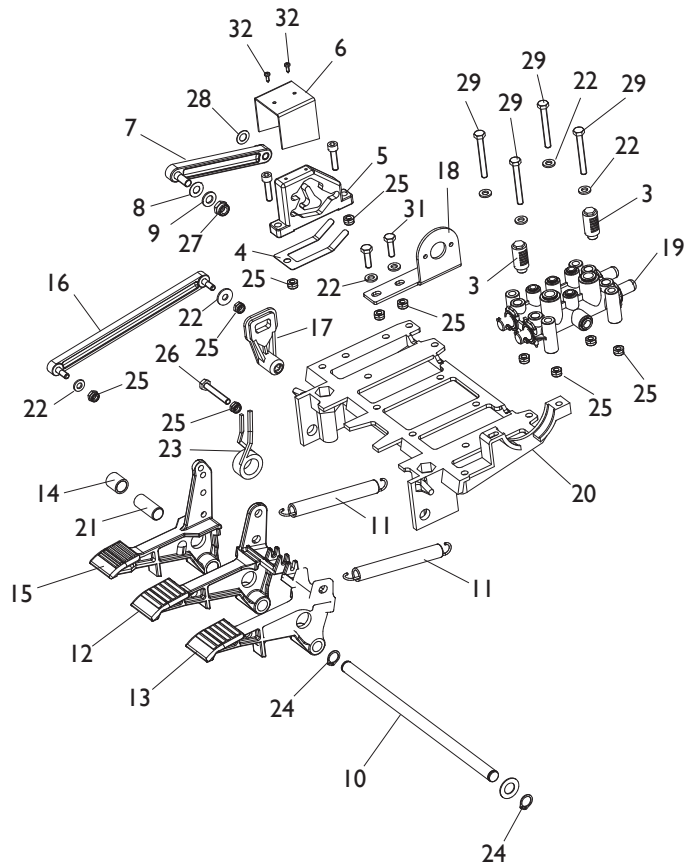
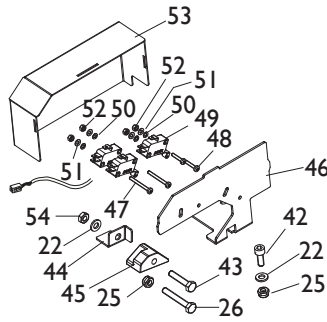
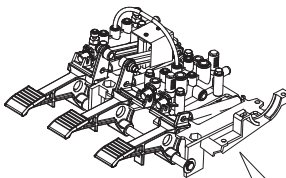
41 **VERSIONE DV**
2 SPEED VERSION



1 **VERSIONE IV**
1 SPEED VERSION



2 **VERSIONE PNEUMATICA**
PNEUMATIC VERSION



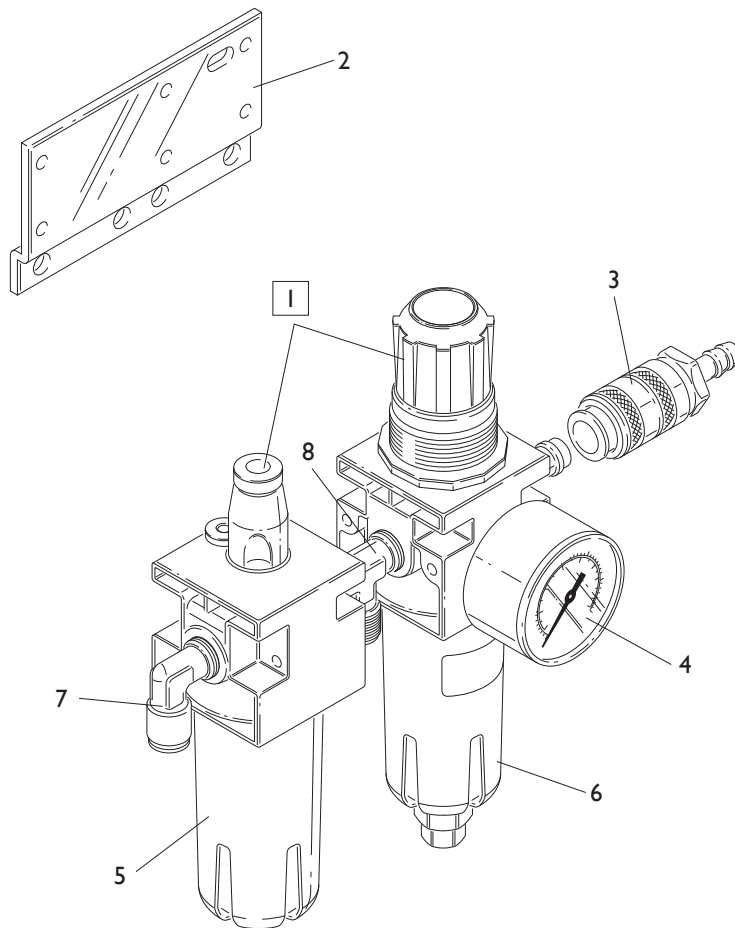
TORNA AL COMPLESSIVO
RETURNS TO OVERALL

Rif. Ref.	Codice Code	Descrizione	Description
1	5-106269	PEDALIERA I VELOCITA	PEDAL ASSEMBLY I SPEED
2	270526	PEDALIERA PNEUMATICA	PEDAL ASSEMBLY PNEUMATIC
3	3-00183	SILENZIATORE IN PLASTICA 1/8	PLASTIC SILENCER 1/8
4	325019	BALESTRA A FORCELLA	LEAF SPRING
5	425020	CAMMA DOPPIA	DOUBLE CAM
6	325018	CAVALLOTTO GUIDA BIELLE	U-BOLT
7	425014	BIELLA CAMMA	CAM ROD
8	2-02247	RONDELLA D.8,4X15	WASHER D.8,4X15
9	309358	RONDELLA D.8X16,5X0,5	WASHER D.8X16,5X0,5
10	325583	PERNO PEDALIERA	PEDAL PIN
11	410628	MOLLA D.14X2X105	SPRING D.14X2X105
12	325031	PEDALE AUTOCENTRANTE	TURNTABLE PEDAL
13	325032	PEDALE STALLONATORE	BEAD BRAKE PEDAL
14	325050	DISTANZIALE	SPACER
15	5-102714	PEDALE INVERTITORE	INVERTER PEDAL
16	429009	BIELLA	ROD
17	404283	LEVA INVERTITORE	INVERTER LEVER
18	334758	SUPPORTO INVERTITORE	INVERTER SUPPORT
19	5-102739	RUBINETTO DOPPIO	DOUBLE VALVE
20	524273	SUPPORTO COMANDI	COMMAND SUPPORT
21	425011	BOCCOLA D.12X14X33,5	BUSH D.12X14X33,5
22	2-00211	RONDELLA D.6	WASHER D.6
23	4-109664	MOLLA COMANDO INTERRUTORE	INVERTER SPRING
24	2-00025	SEEGER D.12	SEEGER D.12
25	2-01979	DADO ES.A. M6	AUTOLOCKING HEXAGON NUT M6
26	2-00366	VTE M6X40	HEXAGON HEAD SCREW M6X40
27	2-01137	DADO ES.A. M8	AUTOLOCKING HEXAGON NUT M8
28	2-00212	RONDELLA D.8	WASHER D.8
29	2-00411	VTE 1/2F M6X50	HEXAGON HEAD SCREW 1/2F M6X50
30	2-00312	VTCEI M6X25	HEXAGON SOCKET HEAD SCREW M6X25
31	2-00362	VTE M6X20	HEXAGON HEAD SCREW M6X20
32	2-01272	VATBIC D.2,9X9,5	SCREW D.2,9X9,5
33	5-102740	RUBINETTO SINGOLO	SINGLE VALVE
34	252030	PEDALE PNEUMATICO	PNEUMATIC PEDAL
35	331381	BIELLA	ROD
36	2-01018	DADO ES.A. M4	AUTOLOCKING HEXAGON NUT M4
37	2-00291	VTCEI M4X20	HEXAGON SOCKET HEAD SCREW M4X20
38	321200	TUBO RYLSAN 8X1 L.300mm	RYLSAN HOSE 8X1 L.220mm
39	332142	TUBO RYLSAN 8X1 L.160mm	RYLSAN HOSE 8X1 L.120mm
40	3-00112	RACCPN-T T8/6	T-FITTING T8/6
41	5-101614	PEDALIERA 2 VELOCITA	PEDAL ASSEMBLY 2 SPPED
42	2-00309	VTCEI M6X16	HEX. SOCKET HEAD SCREW M6X16
43	2-00364	VTE M6X30	HEXAGON HEAD SCREW M6X30
44	4-105045	STAFFA ANTIROTAZIONE	ANTIROTATING PLATE
45	461535	BLOCCHETTO MICRO	MICRO BLOCK
46	4-105044	SUPPORTO MICRO	MICRO SUPPORT
47	2-00578	VTCIC M3X30	SCREW M3X30
48	2-00576	VTCIC M3X20	SCREW M3X20
49	440874	MICRO 16A 250V	MICRO 16A 250V
50	2-71547	ROSETTA D.3	WASHER D.3
51	2-00208	RONDELLA D.3	WASHER D.3
52	2-00124	DADO ES. M3	HEXAGON NUT M3
53	4-102402	COPERCHIO	COVER
54	2-00155	DADO ES. M6	HEXAGON NUT M6

Rif. Ref.	Codice Code	Descrizione	Description
1	1-01683	TUBO RYLSAN D8X1	RYLSAN HOSE D.8X1
2	1-04223	TUBO POLIUR.ARIA D.10X1,25	HOSE D.10X1,25
3	252625	PEDALE GONFIAGGIO	INFLATION PEDAL
4	452624	ANTIVIBRANTE M/F 20X11 M6X9	VIBRATION DAMPING 20X11 M6X9
5	2-00150	DADO ES. M6	HEXAGON NUT M6
6	403751	FASCETTA D.8-16	FASTEN D.8-16
7	241841	RACCORDO GIREVOLE T.I.	ROTATING JOINT T.I.
8	346266	TUBO IN GOMMA 25X37 18ATM. L.630mm	RUBBER HOSE 25X37 L.630mm
9	4-103544	TUBO RYLSAN TRASP. 14X1 L.750mm	RYLSAN HOSE 14X1 L.750mm
10	3-00117	RACCPN-TL G1/8C T6/4	TL-FITTING G1/8C T6/4
11	242290	VALVOLA DI GONFIAGGIO T.I.	T.I. INFLATION VALVE
12	3-02945	CARTUCCIA	CARTRIGE
13	4-402799	RACCPN-TO G1/4C T8	T-FITTING G1/4C T8
14	4-402798	RACCPN-LO G1/4C T8	L-FITTING G1/4C T8
15	243020	VALVOLA	VALVE
16	2-94006	VTCEI 1/2F M6X40	HEXAGON SOCKET HEAD SCREW 1/2F M6X40
17	342286	STAFFA PORTA VALVOLA	VALVE BRAKET
18	5-106703	LIMITATORE GONFIAGGIO CPL.	VALVE ASSEMBLY
19	4-119680	SUPPORTO VALVOLA	VALVE SUPPORT
20	315268	TUBO RYLSAN 6X1 L.260mm	RYLSAN HOSE 6X1 L.260mm
21	354410	TUBO 18 ATM. D.6-14 L.3150mm	RUBBR HOSE D.6-14 L.3150mm
22	2-02804	DADO ES. M4	HEXAGON NUT M4
23	2-00851	VTCEI M4X40	HEXAGON SOCKET HEAD SCREW M4X40
24	3-03313	LIMITATORE DI GONFIAGGIO	VALVE
25	5-105676	GRUPPO DI GONFIAGGIO CPL.	INFLATION ASSEMBLY
26	3-00004	RACCPN ATTACCO RESCA 7 G1/8	RESCA FITTING G1/8
27	352614	TUBO IN GOMMA L.3500mm	RUBBER HOSE L.3500mm
28	2-00289	VTCEI M4X10	HEXAGON SOCKET HEAD SCREW M4X10
29	2-00209	RONDELLA D.4	WASHER D.4
30	352968	SUPPORTO VALVOLA	VALVE SUPPORT
31	3-00464	RACCPN-D G1/8G T8	D-FITTING G1/8G T8
32	235463	VALVOLA SGONFIAGGIO	DEFLATION VALVE
33	3-00365	VALVOLA 3/2 1/8	VALVE 3/2 1/8
34	338576	DISTANZIALE 17X32	SPACER 17X32
35	3-00460	RACCPN-D G1/4 T6	D-FITTING G1/4 T6
36	352619	CAPPELLOTTO DISTANZIALE	SPACER
37	5-100696	SCATOLA GONFIAGGIO BAR/PSI	BAR/PSI INFLATION BOX ASSEMBLY
37	5-105062	SCATOLA GONFIAGGIO BAR	BAR INFLATION BOX ASSEMBLY
38	262971	TUBO GONFIAGGIO	INFLATION HOSE
39	3-00490	MANOMETRO BAR/PSI	BAR/PSI PRESSURE GAUGE
39	3-00486	MANOMETRO BAR	BAR PRESSURE GAUGE
40	235463	VALVOLA SGONFIAGGIO	DEFLATION VALVE
41	3-00261	RACCPN-D G1/4F T6	D-FITTING G1/4F T6
42	3-00007	RACCPN ATTACCO RESCA 7 G1/4	RESCA FITTING G1/4
43	4-102371	SCATOLA MANOMETRO	GAUGE BOX
44	353537	SUPPORTO MANOMETRO	PRESSURE GAUGE SUPPORT
45	2-71485	VTABIC D.3,9X13	SCREW D.3,9X13
46	3-00460	RACCPN-D G1/4 T6	D-FITTING G1/4 T6

GRUPPO FILTRO FILTER GROUP

PANZITTA SALES & SERVICE
72 George Avenue
Wilkes-Barre, PA 18705
570-822-6720 800-822-6720
www.panzittasales.com



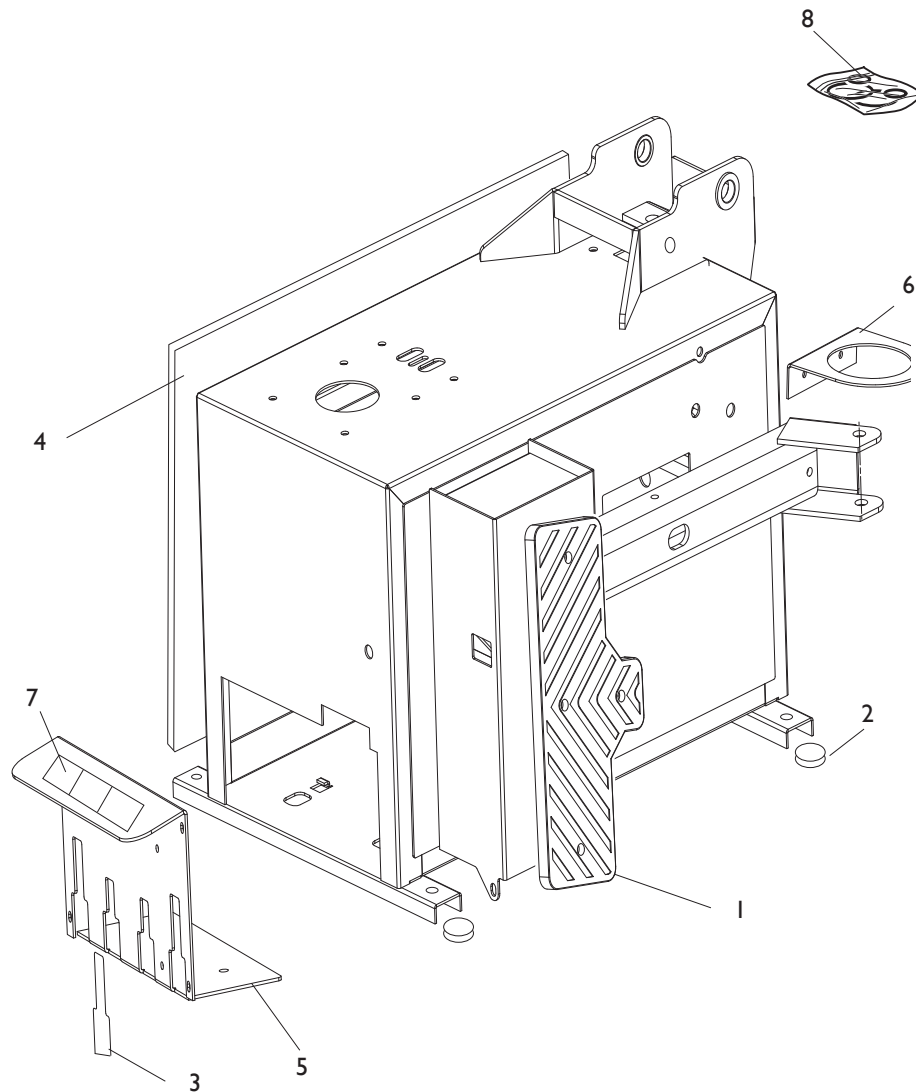
**TORNA AL COMPLESSIVO
RETURNS TO OVERALL**

Rif. Ref.	Codice Code	Descrizione	Description
1	456522	FILTRO CPL (MANOM. ESCLUSO)	FILTER ASSEMBLY (GAUGE NOT INCLUDED)
2	335695	STAFFA FILTRO	FILTER BRACKET
3	3-00257	RACCORDO RAPIDO	FITTING
4	3-00488	MANOMETRO D.40 1/8 0-12 BAR/PSI	PRESSURE GAUGE D.40 1/8 0-12 BAR/PSI
5	457511	BICCHIERE LUBRIFICATORE	LUBRICATOR BOWL
6	457512	BICCHIERE FILTRO	FILTER BOWL
7	3-00221	RACCPN-L G1/4C T8	L-FITTING G1/4C T8
8	3-00001	RACCPN-T G1/4 M/M	T-FITTING G1/4

PANZITTA SALES & SERVICE
72 George Avenue
Wilkes-Barre, PA 18705
570-822-6720 800-822-6720
www.panzittasales.com

GRUPPO CASSONE FRAME GROUP

PANZITTA SALES & SERVICE
72 George Avenue
Wilkes-Barre, PA 18705
570-822-6720 800-822-6720
www.panzittasales.com

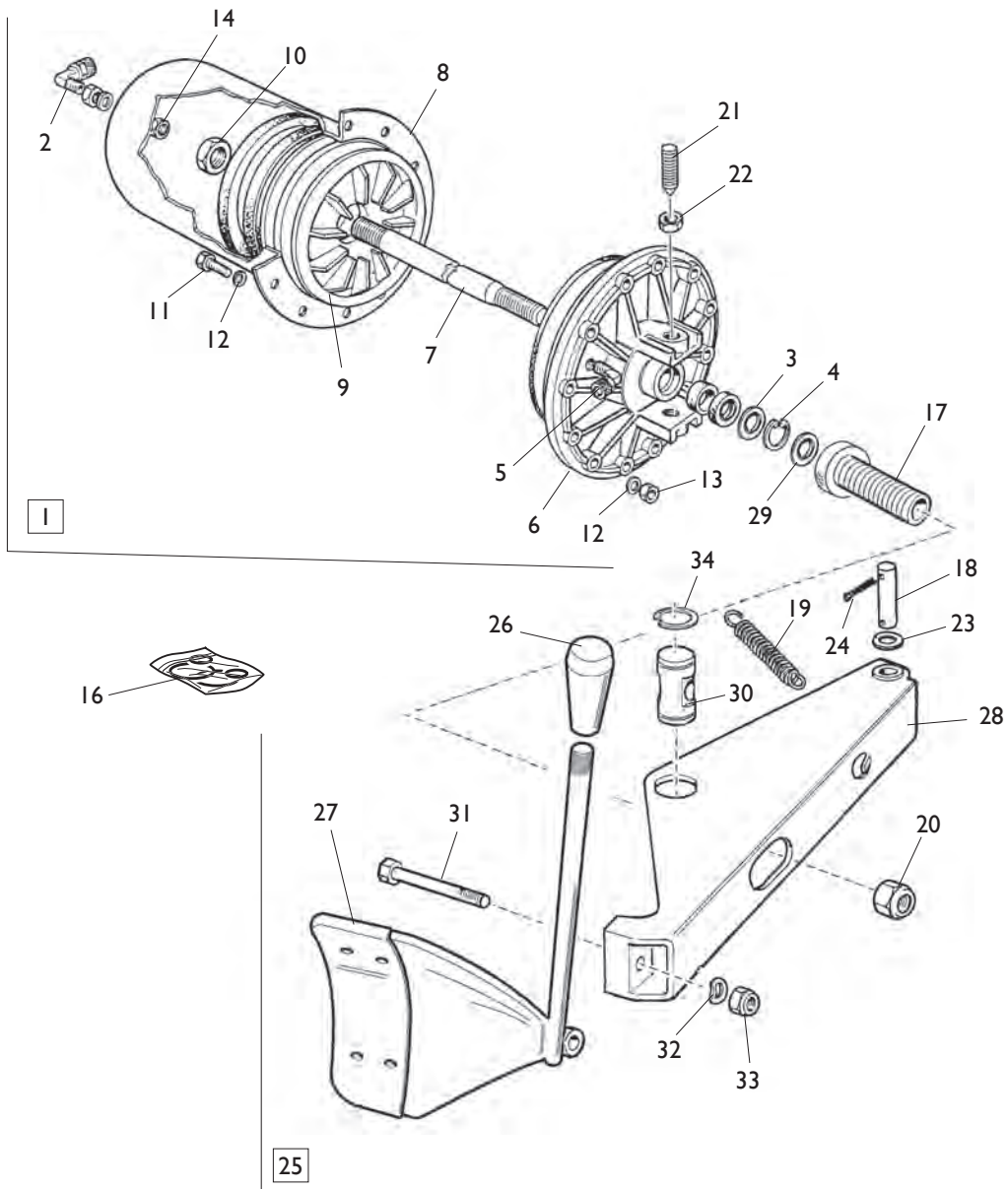


[TORNA AL COMPLESSIVO](#)
[RETURNS TO OVERALL](#)

Rif. Ref.	Codice Code	Descrizione	Description
1	35016507	APPOGGIO CERCHIO	RIM SUPPORT
2	35011564	PIEDE	FOOT
3	4-103228	CARTER CHIUSURA PIEDE	CAP
4	5-100884	COFANO	COVER
5	4-102260	COVER PEDALIERA	FRONT COVER
6	326169	SUPPROTO GRASSO	GREASER SUPPORT
7	4-102686	ADESIVO PEDALIERA	PEDAL LABEL
8	5-105599	KIT ADESIVI AS914 TI	LABEL KIT AS914 TI

PANZITTA SALES & SERVICE
72 George Avenue
Wilkes-Barre, PA 18705
570-822-6720 800-822-6720
www.panzittasales.com

GRUPPO STALLONATORE BEAD BREAKING GROUP

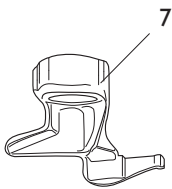
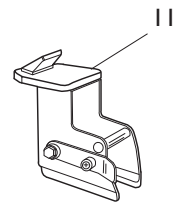
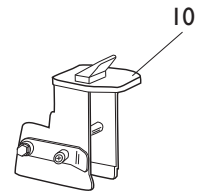
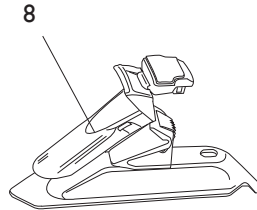
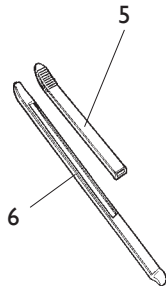
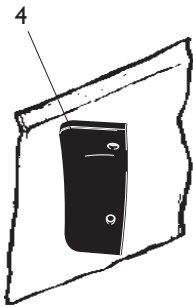
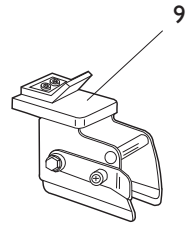
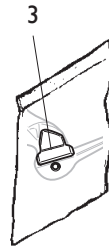
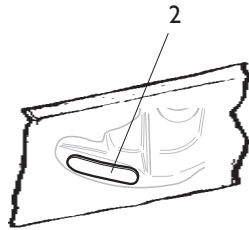
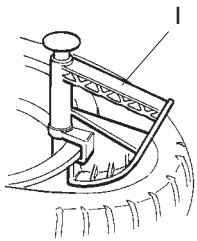


PANZITTA SALES & SERVICE
 72 George Avenue
 Wilkes-Barre, PA 18705
 570-822-6720 800-822-6720
www.panzittasales.com

Rif. Ref.	Codice Code	Descrizione	Description
1	5-101261	CILINDRO STALLONATORE	BEAD BREAKER CYLINDER
2	3-00517	RACCPN-LO GI/4GO T10	LO-FITTING GI/4GO T10
3	325561	RONDELLA D.24X29,8X0,5	WASHER D.24X29,8X0,5
4	434031	ANELLO D.30	SEEGER D.30
5	3-00222	RACCPN-L GI/4C T10	L-FITTING GI/4C T10
6	351905	FALNGIA D.186	FLANGE D.186
7	4-103920	STELO D.20X429	STEM D.20X429
8	330190	CILINDRO D.186	CYLINDER D.186
9	337848	PISTONE D.186X44	PISTON D.186X44
10	2-00989	DADO ES. M18X1,5	HEXAGON NUT M18X1,5
11	2-00310	VTCEI M6X20	HEXAGON SOCKET HEAD SCREW M6X20
12	2-00211	RONDELLA D.6	WASHER D.6
13	436779	DADO ES.A. M6	AUTOLOCKING HEXAGON NUT M6
14	333524	DADO 1/4	NUT 1/4
16	238212	KIT GUARNIZIONI CILINDRO D.186	SEAL KIT CYLINDER D.186
17	36020245	VITE REGOLAZIONE BRACCIO STALL.	BEAD SPACER
18	323903	FULCRO BRACCIO STALLONATORE	FULCRUM PIN
19	4-104313	MOLLA TRAZIONE D.23X3X133	SPRING D.23X3X133
20	4-106071	DADO ES.A. M18X1,5	AUTOLOCKING HEXAGON NUT M18X1,5
21	431864	VITE SPECIALE FISS. CILINDRO M14X42	SPECIAL SCREW M14X42
22	2-00992	DADO ES. M14	HEXAGON NUT M14
23	2-01045	RONDELLA D.16	WASHER D.16
24	435055	COPIGLIA D.2X40	PLUG D.2X40
25	5-101260	BRACCIO STALLONATORE CON PALETTA	BEAD BREAKER ASSEMBLY
26	87221002	MANOPOLA D.14	KNOB D.14
27	4-102689	PALETTA	BEAD BREAKER
28	4-103908	BRACCIO	ARM
29	35015286	TAMPONE FINECORSA D.60	STOP PAD D.60
30	33017256	PERNO ORIENTABILE	PIN
31	2-02670	VITE 1/2F M14X90	HEXAGON HEAD SCREW 1/2F M14X90
32	2-02250	RONDELLA ELASTICA 15X28	ELASTIC WASHER 15X28
33	2-01106	DADO ES.A. M14	AUTOLOCKING HEXAGON NUT M14
34	2-02510	SEEGER D.55	SEEGER D.55

PANZITTA SALES & SERVICE
72 George Avenue
Wilkes-Barre, PA 18705
570-822-6720 800-822-6720
www.panzittasales.com

ACCESSORI ACCESSORIES



PANZITTA SALES & SERVICE
72 George Avenue
Wilkes-Barre, PA 18705
570-822-6720 800-822-6720
www.panzittasales.com

**TORNA AL COMPLESSIVO
RETURNS TO OVERALL**

Rif. Ref.	Codice Code	Descrizione	Description
1	801435685	PINZA PREMITALLONE	PLIERS MOUNTING TOOL
2	801258898	KIT 6 PASTIGLIE TORRETTA NERE	BLACK PROTECTION HEAD KIT (6 PZ)
3	801254341	KIT 10 INSERTI TORRETTA NERE	BLACK PROTECTION HEAD KIT (10 PZ)
4	801258383	KIT 6 PROTEZIONI PALETTA NERE	BLACK BEAD BREAKER PROTECTION KIT (6 PZ)
5	801246241	KIT 6 PROTEZIONI LEVA NERE	BLACK LEVER PROTECTION KIT (6 PZ)
6	4-108275	LEVA	LEVER
7	801252083	KIT TORRETTA 8"	HEAD KIT 8"
8	2200573	KIT 4 PROTEZIONI GRIFFA NERE	BLACK PROTECTION KIT (4 PZ)
9	8-11100041	KIT 4 ATTACCHI MOTO 16-24"	MOTO ADAPTOR KIT 16-24" (4 PZ)
10	8-11100042	KIT 4 ATTACCHI MOTO 8"	MOTO ADAPTOR KIT 8" (4 PZ)
11	8-11100036	KIT 4 ATTACCHI MOTO 15-23"	MOTO ADAPTOR KIT 15-23" (4 PZ)

PANZITTA SALES & SERVICE
72 George Avenue
Wilkes-Barre, PA 18705
570-822-6720 800-822-6720
www.panzittasales.com