

PEZZI DI RICAMBIO SPARE PARTS LIST

SWING ARM 10" - 22"

PANZITTA SALES & SERVICE
72 George Avenue
Wilkes-Barre, PA 18705
570-822-6720 800-822-6720
www.panzittasales.com

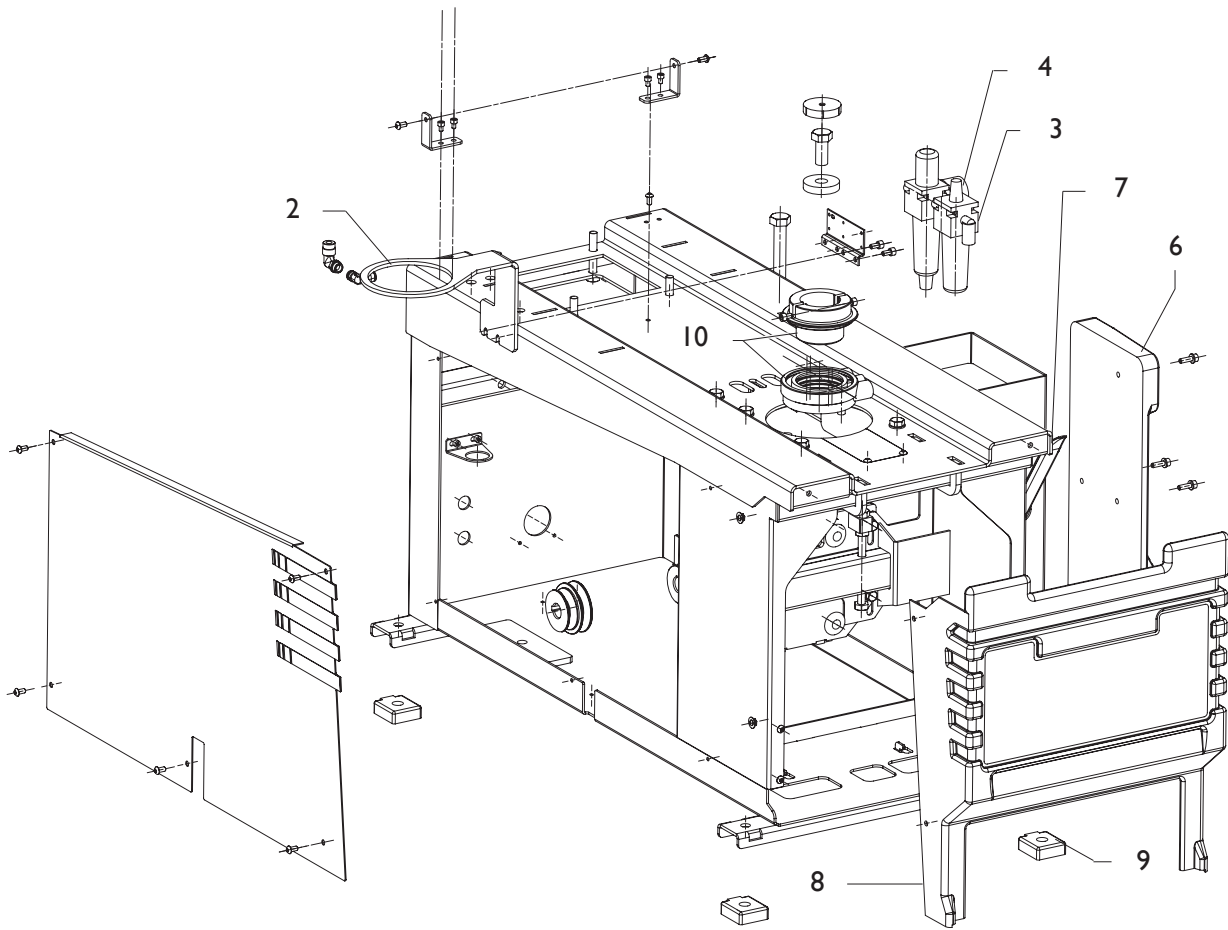
Code

4-109928D

Production from

03 / 2016

TAV.A	Complessivo	10/10
-------	-------------	-------



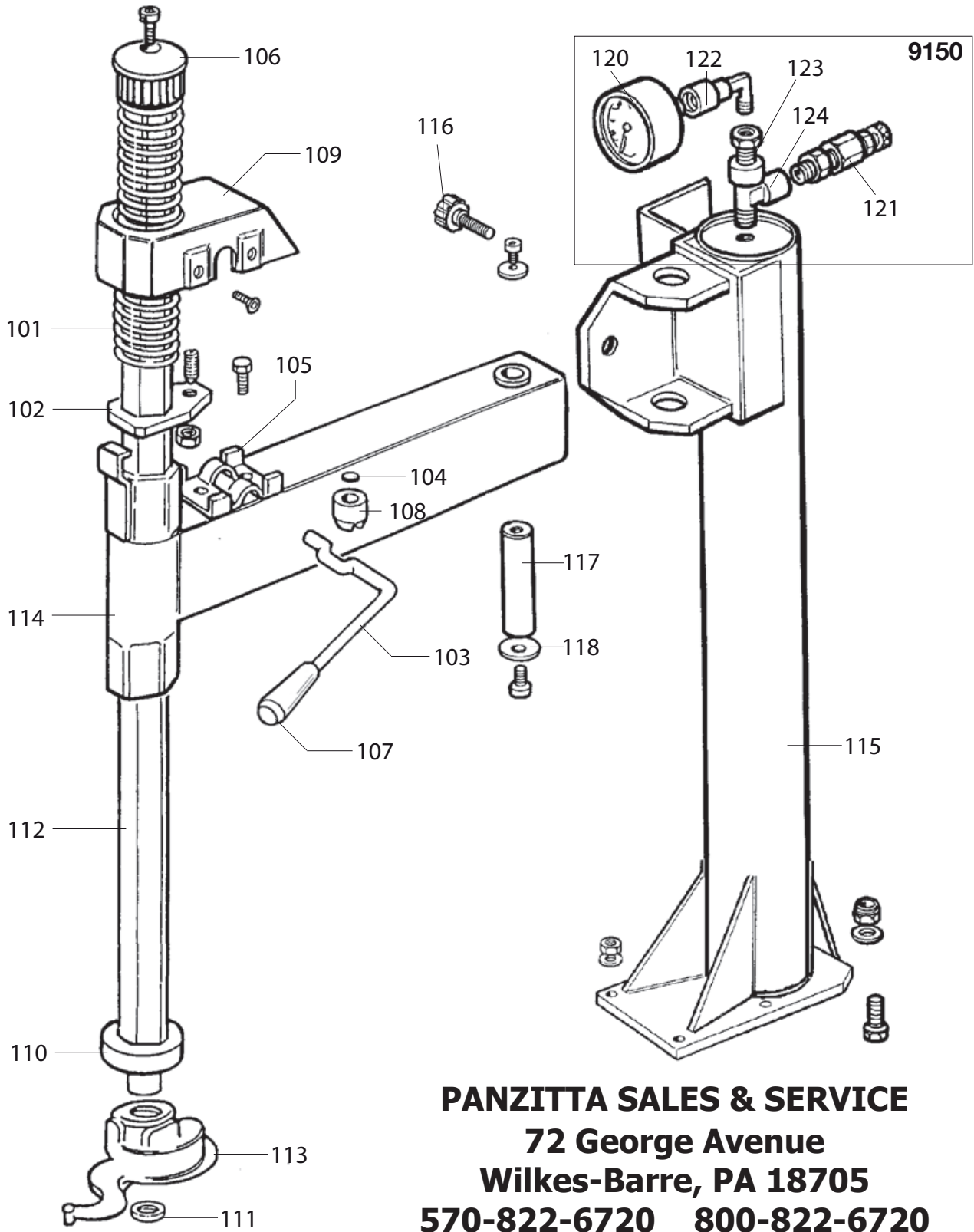
PANZITTA SALES & SERVICE
72 George Avenue
Wilkes-Barre, PA 18705
570-822-6720 800-822-6720
www.panzittasales.com

TAV.A	Complessivo	10/10
-------	-------------	-------

0002	358135	PORTAGRASSO	GREASE SUPPORT
0003	5-191166	FILTRO	FILTER
0003	19079	FILTRO	FILTER
0004	3-00488	MANOMETRO	PRESSURE GAUGE
0006	4-103556	APPOGGIO CERCHIO	RUBBER PAD
0007	444288	LEVA ALZATALLONI	LEVER
0008	4-102221	CARTER PEDALIERA	CASING
0009	422019	PIEDE	FOOT
0010	241841	RACCORDO GIREVOLE TI	DISTRIBUTOR

PANZITTA SALES & SERVICE
72 George Avenue
Wilkes-Barre, PA 18705
570-822-6720 800-822-6720
www.panzittasales.com

TAV.B	Testata	10/10
-------	---------	-------



PANZITTA SALES & SERVICE
72 George Avenue
Wilkes-Barre, PA 18705
570-822-6720 800-822-6720
www.panzittasales.com

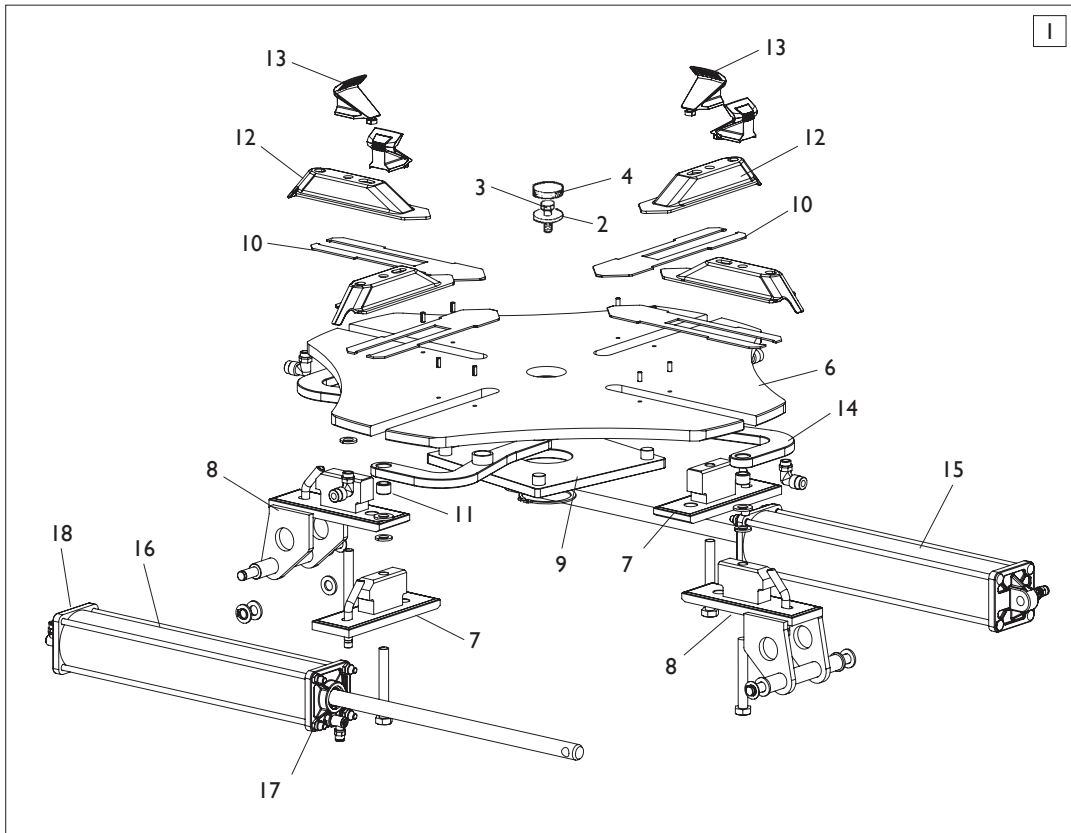
TAV.B	Testata	10/10
-------	---------	-------

0101	4-100230	MOLLA	SPRING
0101	4-900060	MOLIA	SPRING
0102	340278	PIATTO	PLATE
0102	4-900071	PIATTO	PLATE
0103	440279	LEVA	LEVER
0104	440280	PIASTRINA	PLATE
0105	440281	PIASTRINA eccentrico	PLATE
0106	423907	POMOLO	KNOB
0107	441580	MANOPOLA	KNOB
0108	440284	NOTTOLINO	PAWL
0109	440285	CARTER	CASING
0109	4-900068	CARTER	CASING
0110	428681	ANELLO	RING
0110	4-900059	ANELLO	RING
0111	350194	RONDELLA	WASHER
0112	343105	BRACCIO	ARM
0112	4-900067	BRACCIO	ARM
0113	257483	TORRETTA	M/D HEAD
0114	4-111171	BRACCIO	ARM
0115	4-106575	PALO	SHAFT
0116	441580	MANOPOLA	KNOB
0117	4-112856	PERNO	PIN
0118	318216	RONDELLA	WASHER

9150	241608	GRUPPO MANOMETRO	ASSEMBLY
0120	3-00488	MANOMETRO	PRESSURE GAUGE
0121	3-00356	VALVOLA	VALVE
0122	3-00138	RACCORDO	CONNECTOR
0123	3-00271	NIPPLO	CONNECTION
0124	3-00131	RACCORDO	CONNECTOR

PANZITTA SALES & SERVICE
72 George Avenue
Wilkes-Barre, PA 18705
570-822-6720 800-822-6720
www.panzittasales.com

GRUPPO AUTOCENTRANTE 10-22” TURNTABLE GROUP 10-22”

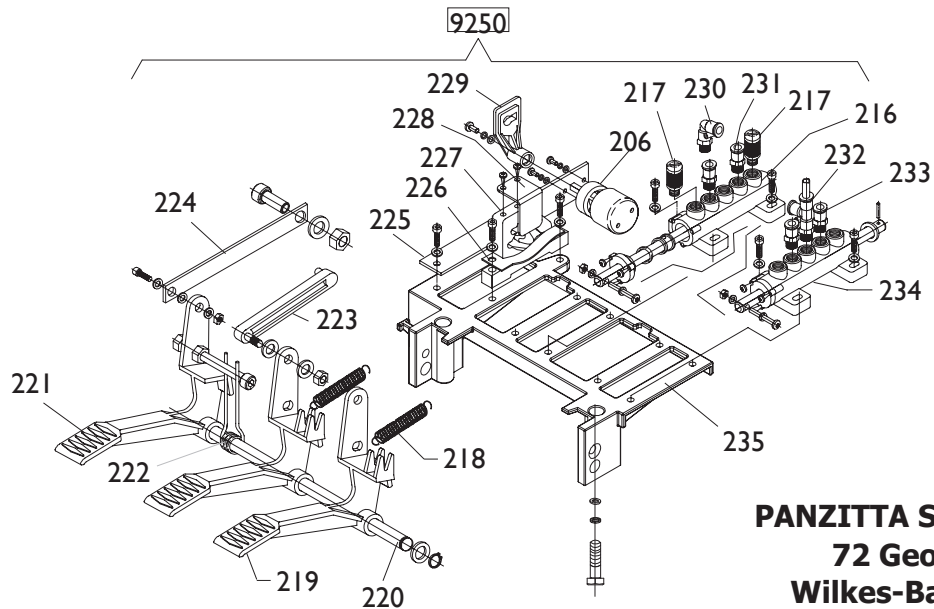


PANZITTA SALES & SERVICE
72 George Avenue
Wilkes-Barre, PA 18705
570-822-6720 800-822-6720
www.panzittasales.com

Rif. Ref.	Codice Code	Descrizione	Description
1	5-100101	GRUPPO AUTOCENTRANTE 10-22"	TURNTABLE ASSEMBLY 10-22"
1	5-100183	GRUPPO AUTOCENTRANTE 10-22" T.I.	TURNTABLE ASSEMBLY 10-22" T.I.
1	5-900017	GRUPPO AUTOCENTRANTE 10-22" T.I.	TURNTABLE ASSEMBLY 10-22" T.I.
2	323363	RONDELLA D.16,5X48X10	WASHER D.16,5X48X10
3	2-01216	VTE M16X1,5X35	HEXAGON HEAD SCREW M16X1,5X35
4	426514	TAPPO TONDO	ROUND CAP
5	4-900200	KIT GUARNIZIONI CILINDRI	CYLINDERS SEAL KIT
6	4-105731	PIATTO AUTOCENTRANTE	TURNTABLE PLATE
6	4-900066	PIATTO AUTOCENTRANTE	TURNTABLE PLATE WITH SCALE
7	4-105019	APP. SCORREVOLE TRAINATO	RIM SUPPORT
7	4-100077	APP. SCORREVOLE TRAINATO T.I.	RIM SUPPORT T.I.
7	4-900663	APP. SCORREVOLE TRAINATO	RIM SUPPORT FOR SCALE TURNTABLE.
7	4-900063	APP. SCORREVOLE TRAINATO T.I.	RIM SUPPORT T.I. FOR SCALE TURNTABLE
8	4-105332	APP. SCORREVOLE TRAINANTE	RIM SUPPORT
8	4-106148	APP. SCORREVOLE TRAINANTE T.I.	RIM SUPPORT T.I.
8	4-900664	APP. SCORREVOLE TRAINANTE	RIM SUPPORT FOR SCALE TURNTABLE
8	4-900065	APP. SCORREVOLE TRAINANTE T.I.	RIM SUPPORT T.I. FOR THE SCALE TURNTABLE
9	4-105471	FLANGIA COMANDO BIELLE	FLANGE CONTROL RODS
10	4-105367	SLITTA COPRIASOLA	PLATE
10	4-900064	SLITTA COPRIASOLA	PLATE FOR THE SCALE TURNTABLE
11	4-105320	DISTANZIALE	SPACER
12	4-101872	SCORREVOLE	SLIDE
12	4-101871	SCORREVOLE T.I.	SLIDE T.I.
13	3008225	UNGHIA	TOOL
14	4-105371	BIELLA	ROD
15	5-900204	CILINDRO DX	RIGHT CYLINDER
16	5-900202	CILINDRO SX	LEFT CYLINDER
17	4-900193	FLANGIA ANTERIORE	FRONT FLANGE
18	4-900194	FLANGIA POSTERIORE	REAR FLANGE

PANZITTA SALES & SERVICE
72 George Avenue
Wilkes-Barre, PA 18705
570-822-6720 800-822-6720
www.panzittasales.com

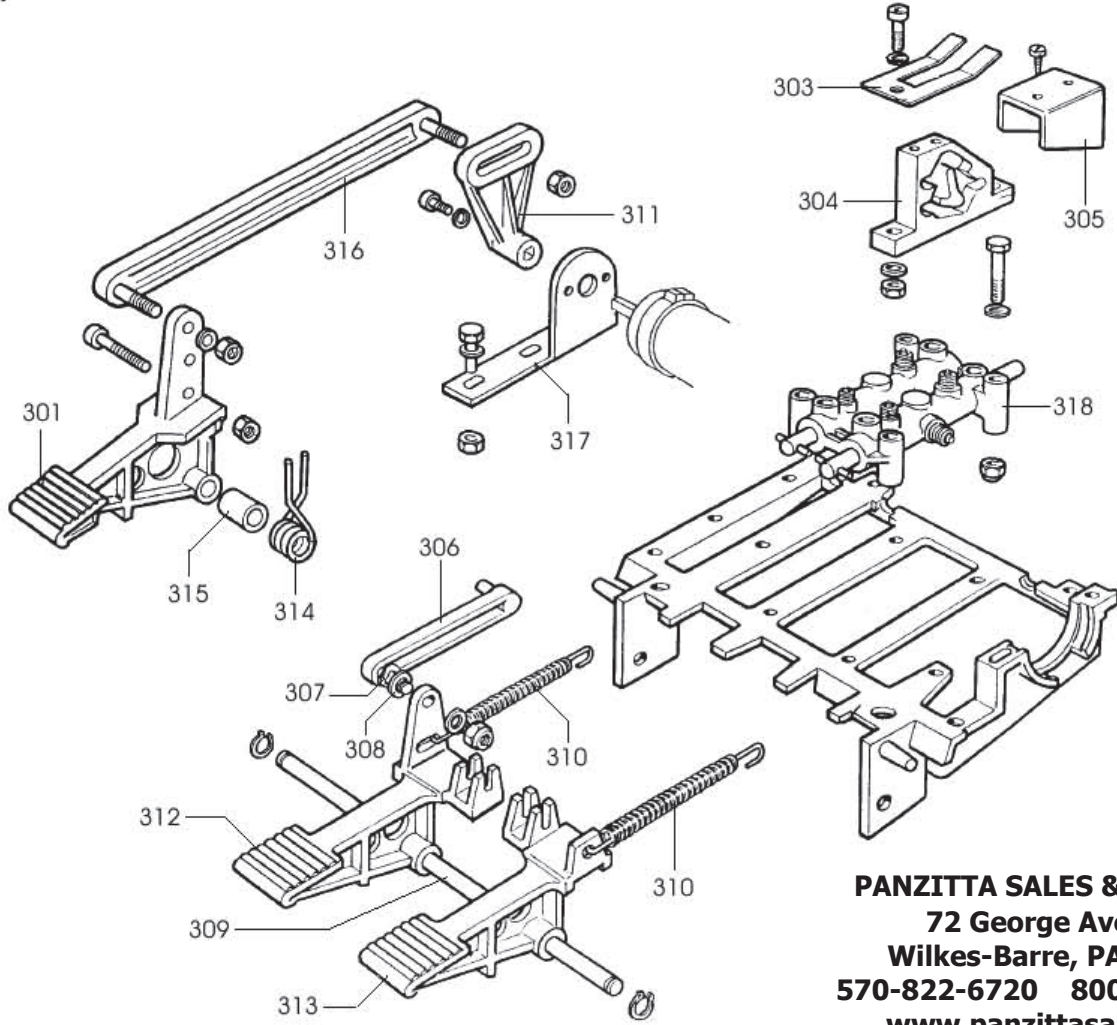
TAV.D	Pedaliera	09/15
-------	-----------	-------



PANZITTA SALES & SERVICE
72 George Avenue
Wilkes-Barre, PA 18705
570-822-6720 800-822-6720
www.panzittasales.com

9250	5-101363	PEDALIERA	CONTROL PEDAL
0206	5-102742	INVERTITORE	REVERSER
0216	5-103892	VALVOLA	VALVE BODY
0217	3-00183	SILENZIATORE	SILENCER
0218	4-112555	MOLLA	SPRING
0219	4-112636	PEDALE	PEDAL
0220	4-112859	BIELLA	ROD
0221	4-900561	PEDALE	PEDAL
0222	4-900375	MOLLA	SPRING
0223	4-900562	BIELLA	CONNECTING ROD
0224	4-900563	PIATTO	CONNECTOR PLATE
0225	4-900564	PIATTO	TWIST
0226	4-900565	BALESTRA	LEAF SPRING
0227	4-900566	CAMMA	CAM
0228	4-900567	PIATTO	ELBOW PLATE
0229	4-900568	BRACCIO	REVERSER ARM, PLASTIC
0230	3-00059	RACCORDO	AIR FITTING
0231	3-00476	RACCORDO	AIR FITTING
0232	3-00251	RACCORDO	AIR FITTING
0233	3-900061	RACCORDO	AIR FITTING
0234	5-900021	VALVOLA	VALVE
0235	4-900569	SUPPORTO PEDALI	PEDAL BASE

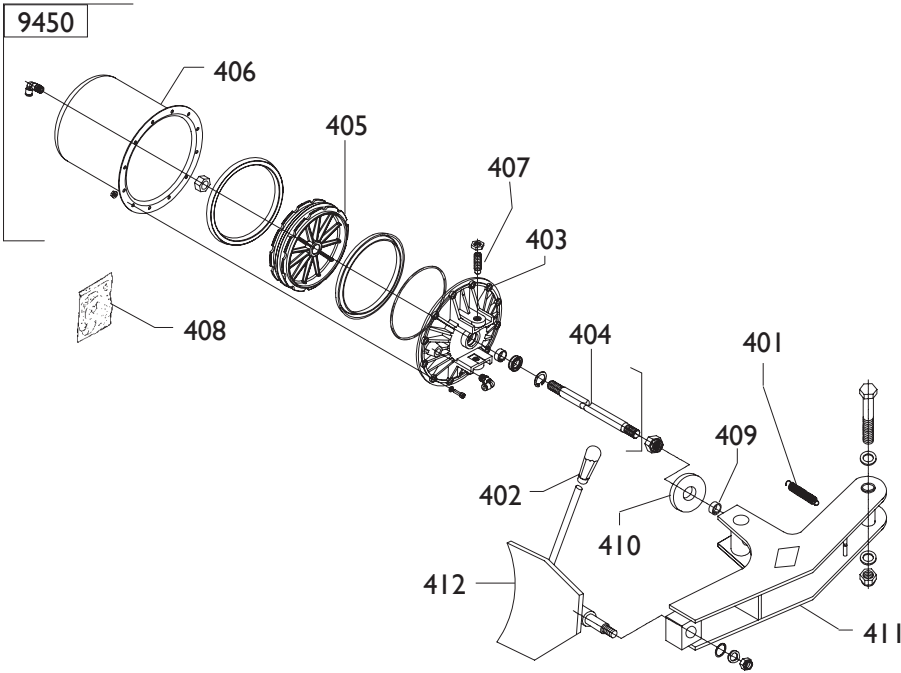
9301



PANZITTA SALES & SERVICE
72 George Avenue
Wilkes-Barre, PA 18705
570-822-6720 800-822-6720
www.panzittasales.com

9301	241201	PEDALIERA	CONTROL PEDAL
301	325029	PEDALE	PEDAL
303	325019	BALESTRA	LEAF SPRING
304	425020	CAMMA	CAM
305	325018	CAVALLOTTO	U-BOLT
306	425014	BIELLA	TRACE
307	419888	RONDELLA	WASHER
308	309358	RONDELLA	WASHER
309	325583	PERNO	PIN
310	410628	MOLLA	SPRING
311	404283	LEVA	LEVER
312	325031	PEDALE	PEDAL
313	325032	PEDALE	PEDAL
314	428682	MOLLA	SPRING
315	325050	DISTANZIALE	SPACER
316	429009	BIELLA	TRACE
317	334758	SUPPORTO	SUPPORT
318	228473	RUBINETTO	COCK

TAV.E	Cilindro stallonatore	04/15
-------	-----------------------	-------

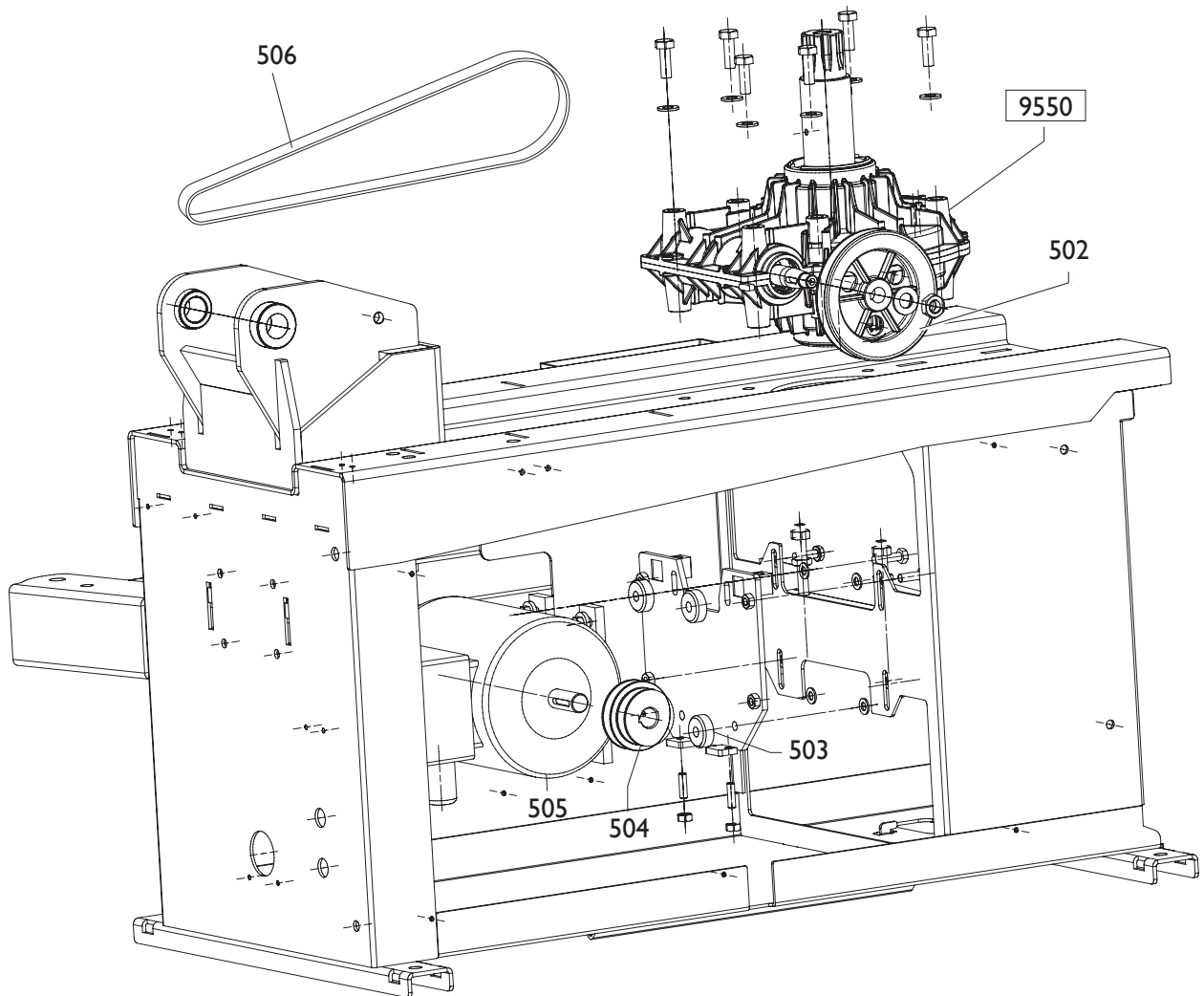


9450	5-900155	CILINDRO STALL.	CYLINDER
0403	4-900437	FLANGIA ANT.	FLANGE
0404	4-900517	STELO	ROD
0405	4-900438	PISTONE	PISTON
0406	4-900518	CAMICIA	LINER

0401	4-112430	MOLLABRACCIO STALL.	SPRING
0402	425219	MANOPOLA	HANDLE
0407	431864	VITE	SCREW
0408	5-900156	KIT GUARNIZIONI	GASKETS KIT
0409	425003	ANELLO	RING
0410	35009784	RONDELA IN GOMMA	WASHER
0411	4-100079	BRACCIO STALLONATORE	ARM
0412	4-109824	PALETTA	BEAD BREAKER

PANZITTA SALES & SERVICE
72 George Avenue
Wilkes-Barre, PA 18705
570-822-6720 800-822-6720
www.panzittasales.com

TAV.F	Guppo motoriduttore	10/10
-------	---------------------	-------



PANZITTA SALES & SERVICE
72 George Avenue
Wilkes-Barre, PA 18705
570-822-6720 800-822-6720
www.panzittasales.com

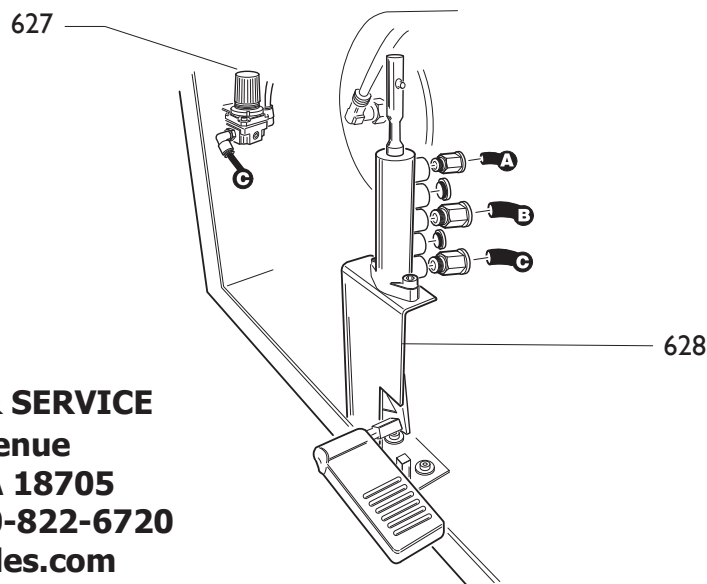
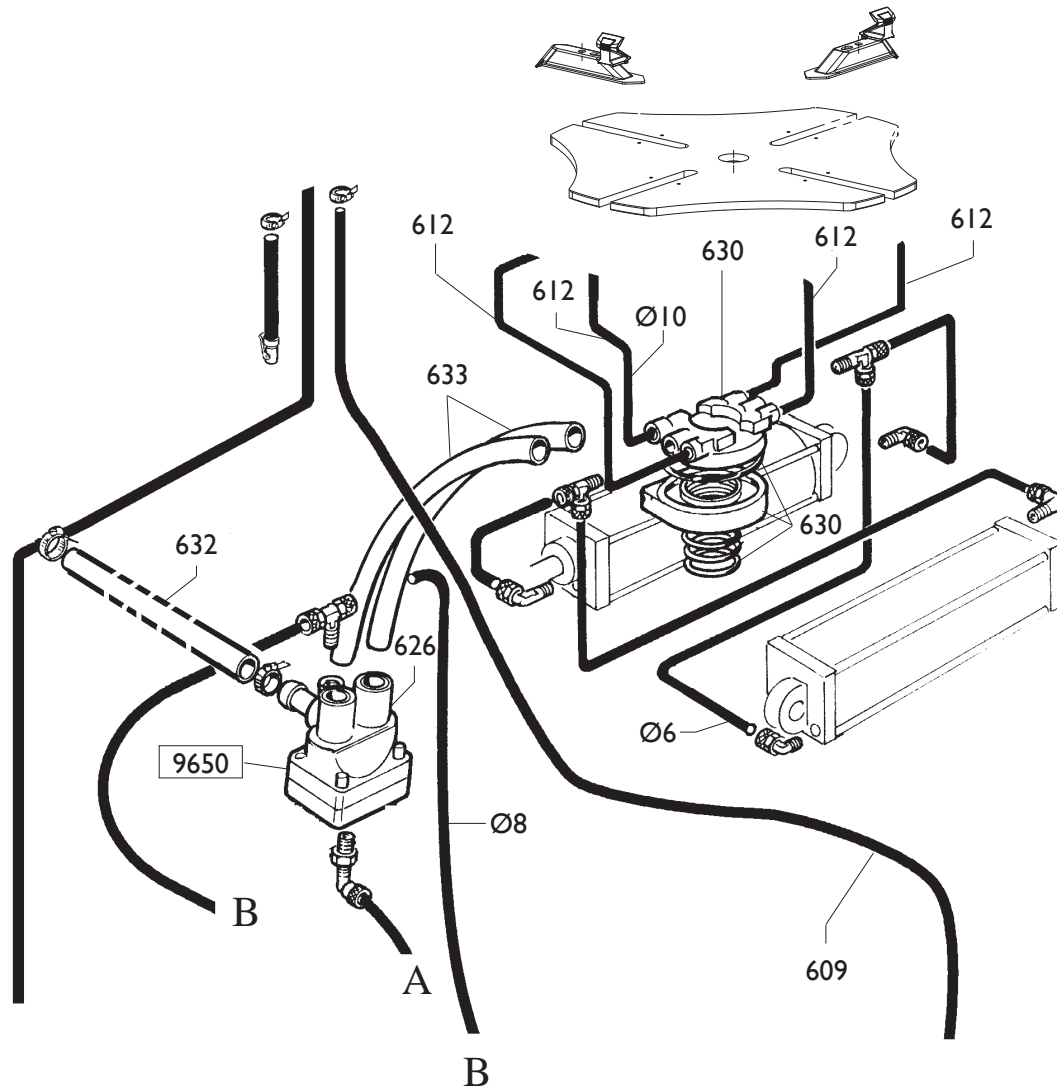
TAV.F	Guppo motoriduttore	10/10
-------	---------------------	-------

9550 0502	5-102647 314344	RIDUTTORE+PULEGGIA PULEGGIA	GEAR BOX +PULLEY PULLEY
--------------	--------------------	--------------------------------	----------------------------

0503	4-108050	ANTIVIBRANTE	ANTISHOCK
0504	325274	PULEGGIA MOTORE 60HZ	60HZ MOTOR PULLEY
0504	331067	PULEGGIA MOTORE 50HZ	50HZ MOTOR PULLEY
0505	4-104634	MOTORE 230/1/50HZ	MOTOR
0505	4-112969	MOTORE 115/1/60HZ	MOTOR
0505	4-110900	MOTORE 230/1/60HZ	MOTOR
0505	4-900380	MOTORE 230/1/50HZ	MOTOR
0505	422013	MOTORE 230-400/3/50-60HZ	MOTOR
0505	4-110900	MOTORE 230/1/60HZ	MOTOR
0506	3-00554	CINGHIA 1PH /3PH	BELT
0506	3-00540	CINGHIA 110V/ 1 PH	BELT

PANZITTA SALES & SERVICE
72 George Avenue
Wilkes-Barre, PA 18705
570-822-6720 800-822-6720
www.panzittasales.com

TAV.G	Impianto pneumatico TI	10/10
-------	------------------------	-------



PANZITTA SALES & SERVICE
72 George Avenue
Wilkes-Barre, PA 18705
570-822-6720 800-822-6720
www.panzittasales.com

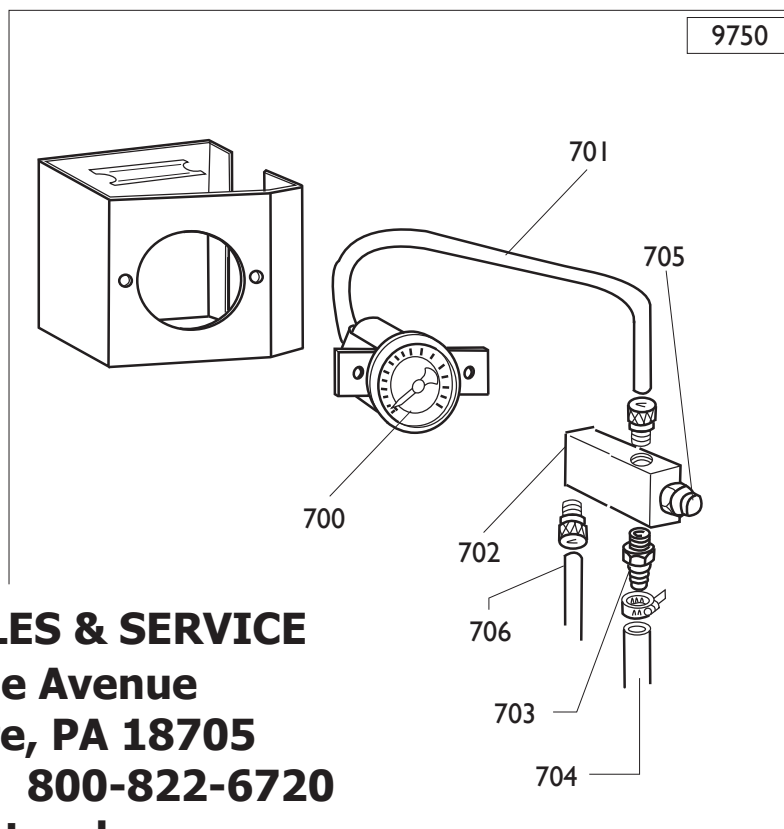
TAV.G	Impianto pneumatico TI	10/10
-------	------------------------	-------

9650 0626	5-101347 3-00403	VALVOLA CARTUCCE	VALVE CARTRIDGE
--------------	---------------------	---------------------	--------------------

0609	339425	TUBO L.1600mm	PIPE
0612	353999	TUBO	PIPE
0630	241841	RACCORDO TI	CONNECTOR TI
0630	228389	RACCORDO	CONNECTOR
0632	387776	TUBO	PIPE
0633	4-103544	TUBO	PIPE
0627	3-00516	REGOLATORE DI PRESSIONE	PRESSURE REGULATOR
0628	5-101440	GR,GONFIAGGIO PEDALE	ASSEMBLY
Ø6	1-01684	TUBO	PIPE
Ø8	1-01683	TUBO	PIPE

PANZITTA SALES & SERVICE
72 George Avenue
Wilkes-Barre, PA 18705
570-822-6720 800-822-6720
www.panzittasales.com

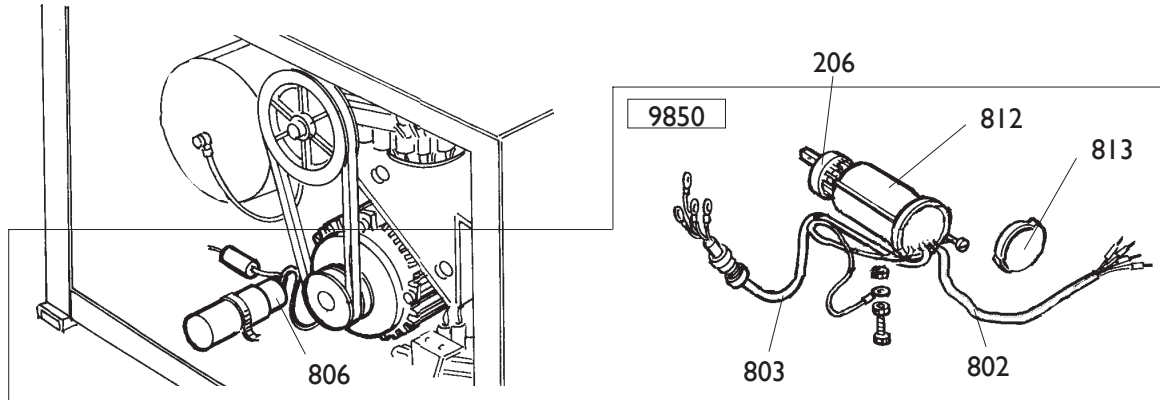
TAV.H	Manometro	10/10
-------	-----------	-------



PANZITTA SALES & SERVICE
72 George Avenue
Wilkes-Barre, PA 18705
570-822-6720 800-822-6720
www.panzittasales.com

9750	5-101190	SCATOLA - BAR/PSI	BOX-BAR/PSI
9750	5-101190	SCATOLA - KPA	BOX-KPA
0700	3-00489	MANOMETRO	PRESSURE GAUGE BAR/PSI
0700	3-90187	MANOMETRO	PRESSURE GAUGE KPA
0701	325035	TUBO	PIPE
0702	4-109936	BLOCCHETTO	BLOCK
0703	3-00007	RACCORDO	CONNECTOR
0704	339425	TUBO	PIPE
0705	235463	VALVOLA	VALVE
0706	323042	TUBO	PIPE

TAV.I	Impianto elettrico	10/10
-------	--------------------	-------



9850	5-190350	IMP.ELETTR. 3PH	ELEC. SYSTEM
0802	235518	CAVO RETE	CABLE
0803	225390	CAVO MOTORE	CABLE
0812	432065	PROTEZIONE	SHIELD
0813	430991	COPERCHIO	LID
9850	5-190348	IMP.ELETTR. 230V 1PH	ELEC. SYSTEM
9850	5-190349	IMP.ELETTR. 110V 1PH	ELEC.SYSTEM
0802	258746	CAVO RETE	CABLE
0803	5-101127	CAVO MOTORE	CABLE
0812	432065	PROTEZIONE	SHIELD
0813	430991	COPERCHIO	LID
0806	4-112631	CONDENSATORE 60MicF(450V) per mot. 220V	
		RUNNING CAPACITOR	
0806	4-112632	CONDENSATORE 80MicF(250V) per mot.110V	
		RUNNING CAPACITOR	

0206 5-102742 INVERTITORE REVERSER

PANZITTA SALES & SERVICE
72 George Avenue
Wilkes-Barre, PA 18705
570-822-6720 800-822-6720
www.panzittasales.com