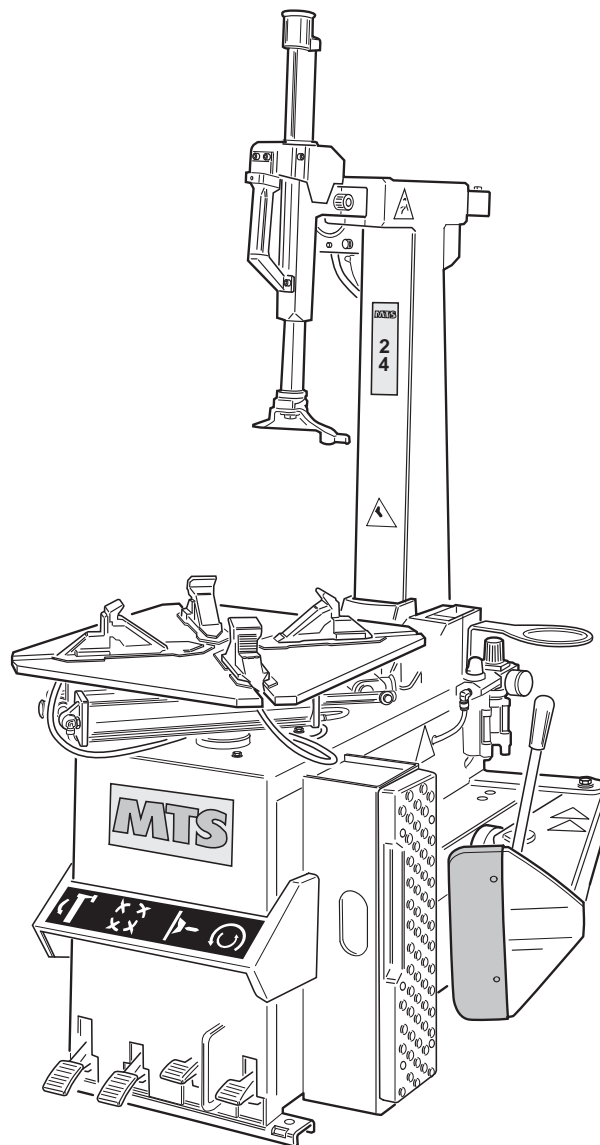


**PANZITTA SALES & SERVICE**  
**72 George Avenue**  
**Wilkes-Barre, PA 18705**  
**570-822-6720 800-822-6720**  
**www.panzittasales.com**

# MTS 24

The "Spare parts" booklet does not authorize the user to carry out work on the machine unless expressly specified in the instruction manual, but does enable him to provide accurate information to the assistance service in order to reduce downtime.

PEZZI DI RICAMBIO  
SPARE PARTS LIST  
ERSATZTEILLISTE  
PIECES DE RECHANGE



Code

**4-103960A**

In produzione da  
Production from  
Herstellung ab  
Production

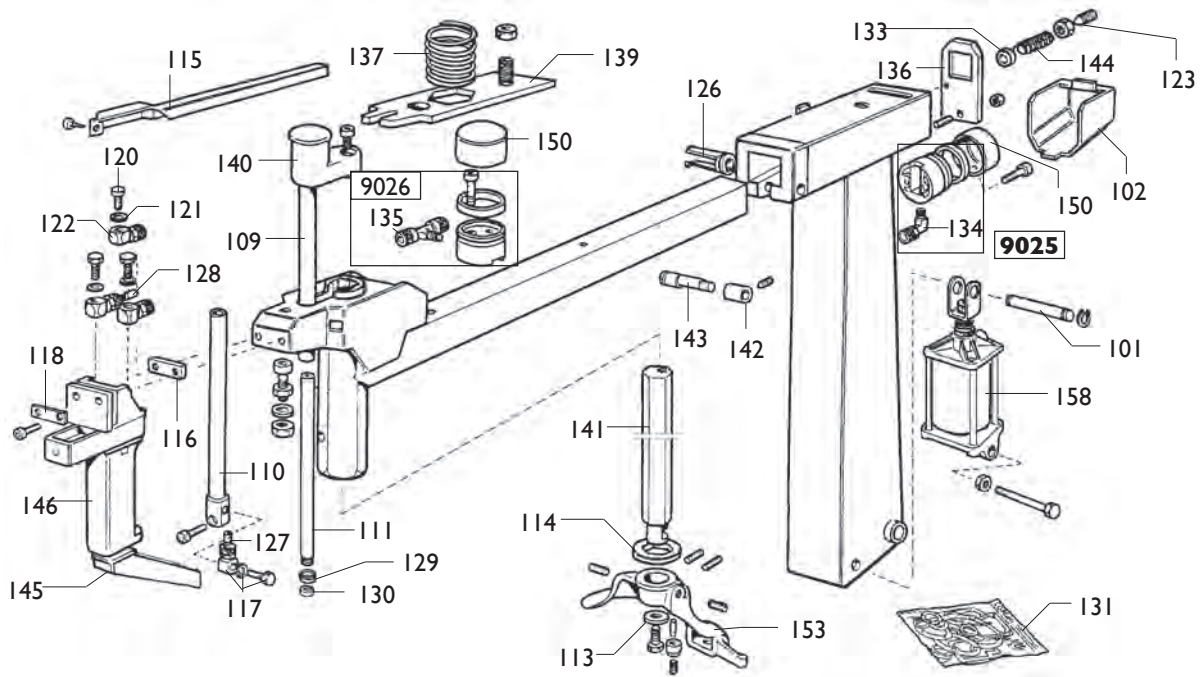
**05 / 2006**

Der Katalog Ersatzteile stellt keine Genehmigung zu eigenmächtigen Eingriffen dar (mit Ausnahme jener im Handbuch beschriebenen), sondern er soll den Anwender in die Lage versetzen, dem technischen Service präzise Informationen zu liefern, um die Reparaturzeiten zu verkürzen.



Le livret "Pièces de rechange", n'autorise pas l'utilisateur à intervenir sur les machines, sauf pour tout ce qui est clairement décrit dans le manuel d'utilisation, mais lui permet de fournir des informations précises à l'assistance technique, afin de diminuer les délais d'intervention.

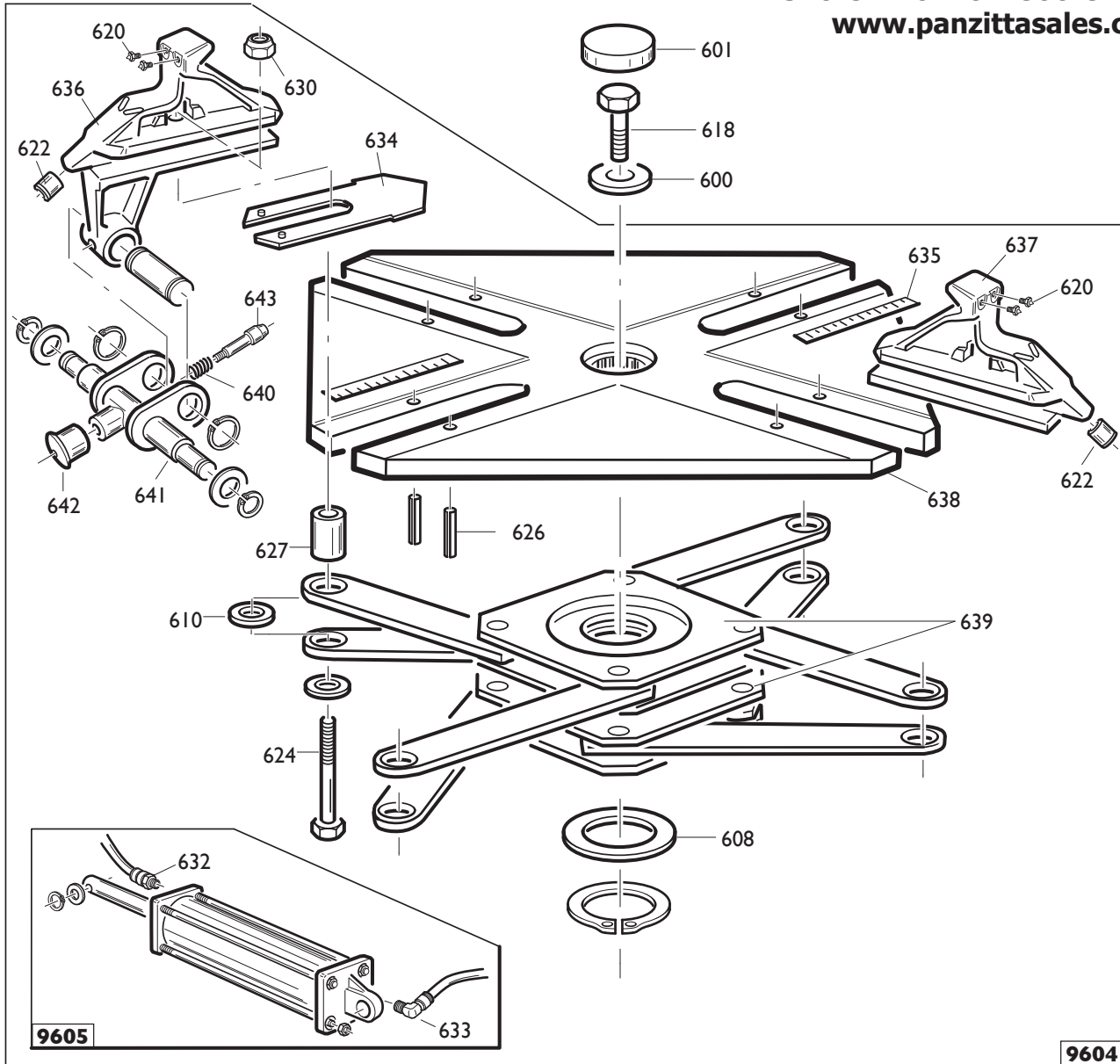
**PANZITTA SALES & SERVICE**  
72 George Avenue  
Wilkes-Barre, PA 18705  
570-822-6720 800-822-6720  
[www.panzittasales.com](http://www.panzittasales.com)

**9027**

<b>9027</b>	<b>900262092</b>	<b>TESTATA COMPLETA</b>	<b>HEAD ASS.Y</b>	<b>KOPF</b>	<b>TETE</b>
0101	900326667	PERNO	PIN	ZAPFEN	PIVOT
0102	900426773	PROTEZIONE	SHIELD	ABDECKUNG	PROTECTION
0109	900338858	TUBO	PIPE	ROHR	TUYAU
0110	900238856	SUPPORTO	SUPPORT	LAGER	SUPPORT
0111	900338855	STELO	STEM	SCHAFT	TIGE
0113	900350194	RONDELLA	WASHER	UNTERLEGSCHIEBE	RONDELLE
0114	900428681	ANELLO	RING	RING	ANNEAU
0115	900426763	GUIDA	GUIDE	FUEHRUNG	GLISSIERE
0116	900327284	PIASTRINA	PLATE	PLAETTCHEN	PLAQUETTE
0117	900427290	RACCORDO	CONNECTOR	ANSCHLUSS	RACCORD
0118	900327283	PIASTRINA	PLATE	PLAETTCHEN	PLAQUETTE
0120	900428719	VITE	SCREW	SCHRAUBE	VIS
0121	900428720	RONDELLA	WASHER	UNTERLEGSCHIEBE	RONDELLE
0122	900428718	ANELLO	RING	RING	ANNEAU
0123	900341836	ASTA	SHAFT	STANGE	BARRE
0126	900431061	BOCCOLA	BUSHING	LAGER	DOUILLE
0127	900327753	STROZZATORE	THROTTLER	DROSSELKLAPPE	ETRANGLEUR
0128	900331783	STROZZATORE	THROTTLER	DROSSELKLAPPE	ETRANGLEUR
0129	900427299	GUARNIZIONE	SEAL	DICHTUNG	JOINT
0130	900432090	ANELLO	RING	RING	ANNEAU
0131	900241484	KIT GUARNIZIONI	SEALS KIT	DICHTUNGSATZ	KIT JOINTS
0133	900339803	BOCCOLA	BUSHING	LAGER	DOUILLE
<b>9025</b>	<b>900239805</b>	<b>PISTONE</b>	<b>PISTON</b>	<b>KOLBEN</b>	<b>PISTON</b>
0134	900414842	RACCORDO	CONNECTOR	ANSCHLUSS	RACCORD
<b>9026</b>	<b>900239806</b>	<b>PISTONE</b>	<b>PISTON</b>	<b>KOLBEN</b>	<b>PISTON</b>
0135	900414859	RACCORDO	CONNECTOR	ANSCHLUSS	RACCORD
0136	900336142	PIASTRA	SLAB	PLATTE	PLAQUE
0137	900440342	MOLLA	SPRING	FEDER	RESSORT
0139	900340429	PIASTRA	SLAB	PLATTE	PLAQUE
0140	900440428	POMOLO	KNOB	BALLENGRIFF	POMMEAU
0141	900340430	BRACCIO	ARM	ARM	BRAS
0142	900339782	RULLO	ROLLER	WALZE	ROULEAU
0143	900339786	PERNO	PIN	ZAPFEN	PIVOT
0144	900439787	MOLLA	SPRING	FEDER	RESSORT
0145	900440692	PROLUNGA	EXTENSION CORD	VERLAENGERUNG	RALLONGE
0146	900231744	RUBINETTO	COCK	HAHN	ROBINET
0150	900326537	CILINDRO	CYLINDER	ZYLINDER	CYLINDRE
0153	900258458	TORRETTA	HEAD	DREHKOPF	TOURELLE
0158	9004-100825	CILINDRO	CYLINDER	ZYLINDER	CYLINDRE

**PANZITTA SALES & SERVICE**
**72 George Avenue**
**Wilkes-Barre, PA 18705**
**570-822-6720 800-822-6720**
**www.panzittasales.com**

**PANZITTA SALES & SERVICE**  
72 George Avenue  
Wilkes-Barre, PA 18705  
570-822-6720 800-822-6720  
[www.panzittasales.com](http://www.panzittasales.com)

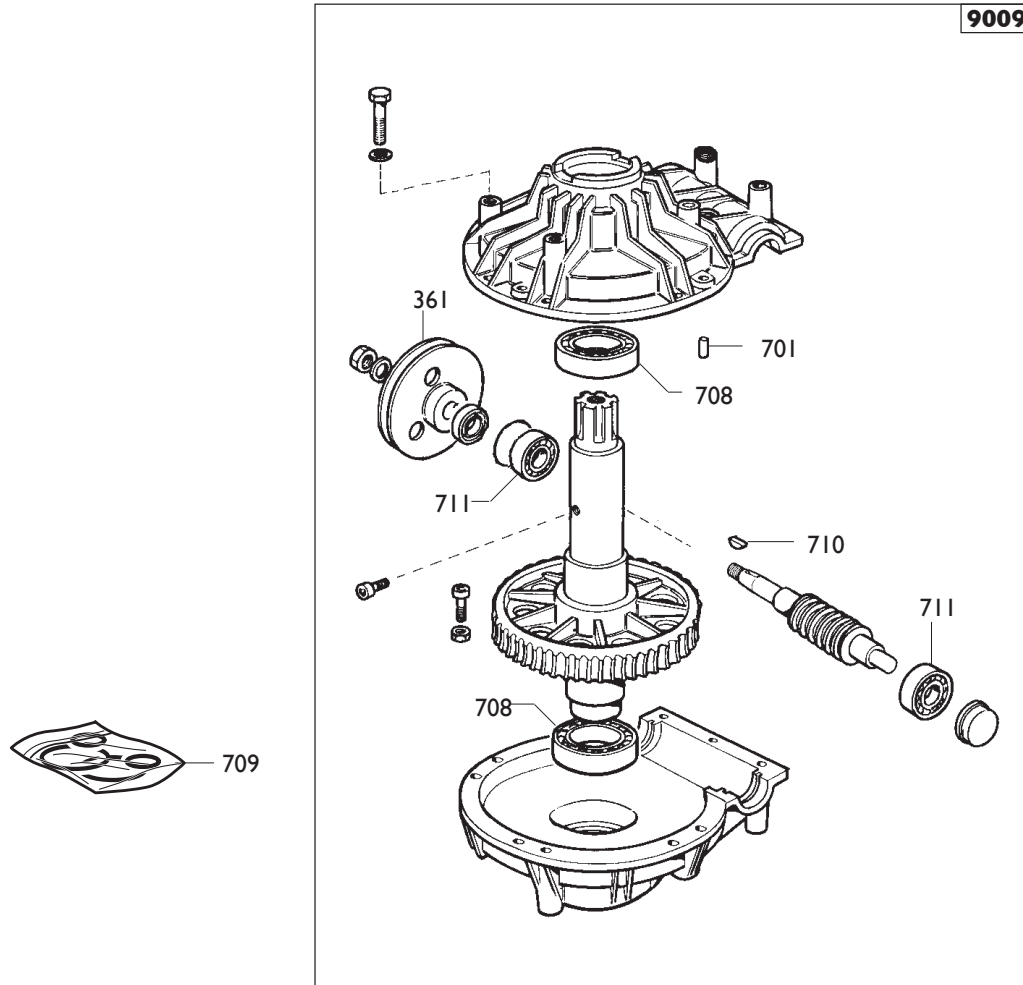


**MTS 24****Fig. B****05 / 04****Autocentrante T.I. 10-24 "**

0600	900323363	RONDELLA	WASHER	UNTERLEGSCHIEBE	RONDELLE
0601	900426514	TAPPO	PLUG	STOPFEN	BOUCHON
0613	900238548	KIT GUARNIZIONI	SEALS KIT	DICHTUNGSATZ	KIT JOINTS
0618	900601216	VITE	SCREW	SCHRAUBE	VIS

<b>9604</b>	<b>9005-100507</b>	<b>AUTOCENTRANTE T.I.</b>	<b>TURNTABLE T.I.</b>	<b>SPANNFUTTER T.I.</b>	<b>PLAT. AUTOC. T.I.</b>
0608	900455082	RONDELLA	WASHER	UNTERLEGSCHIEBE	RONDELLE
0610	900437964	RONDELLA	WASHER	UNTERLEGSCHIEBE	RONDELLE
0620	900339146	PUNTE DI BLOCC.	LOCKING PEAK	FESTKLEMMENSPIITZE	POINTE DE BLOCAGE
0622	900441100	RACCORDO	CONNECTOR	ANSCHLUSS	RACCORD
0624	900602199	VITE	SCREW	SCHRAUBE	VIS
0626	900601059	SPINA	PLUG	STECKER	FICHE
0627	900353803	BOCCOLA	BUSHING	LAGER	DOUILLE
0630	900601276	DADO	NUT	MUTTER	ECROU
0634	9004-101441	COPRIASOLA	COVER	LOCHSTOPFEN	BOUCHON
0635	9004-101456	TARGHETTA	DATA PLATE	TYPENSHIELD	PLAQUETTE
0636	9005-100460	APPOGGIO T.I.	RIM SUPPORT T.I.	STUETZE T.I.	APPUI T.I.
0637	9005-100459	APPOGGIO T.I.	RIM SUPPORT T.I.	STUETZE T.I.	APPUI T.I.
0638	9004-101438	PIATTO	PLATE	TELLER	PLAT
0639	9004-101434	FLANGIA	FLANGE	FLANSCH	FLASQUE
0640	9004-101422	MOLLA	SPRING	FEDER	RESSORT
0641	9004-101444	INNESTO	PIN	ZAPFEN	PIVOT
0642	9004-101443	POMOLO	KNOB	BALLENGRIFF	POMMEAU
0643	9004-101447	MANOVELLA	CRANK	KURBEL	MANIVELLE
<b>9605</b>	<b>9005-100455</b>	<b>CILINDRO DESTRO</b>	<b>CYLINDER RIGHT</b>	<b>ZYLINDER</b>	<b>CYLINDRE</b>
<b>9605</b>	<b>9005-100454</b>	<b>CILINDRO SINISTRO</b>	<b>CYLINDER LEFT</b>	<b>ZYLINDER</b>	<b>CYLINDRE</b>
0632	900441568	RACCORDO	CONNECTOR	ANSCHLUSS	RACCORD
0633	900443367	RACCORDO	CONNECTOR	ANSCHLUSS	RACCORD

**PANZITTA SALES & SERVICE**  
**72 George Avenue**  
**Wilkes-Barre, PA 18705**  
**570-822-6720 800-822-6720**  
**www.panzittasales.com**



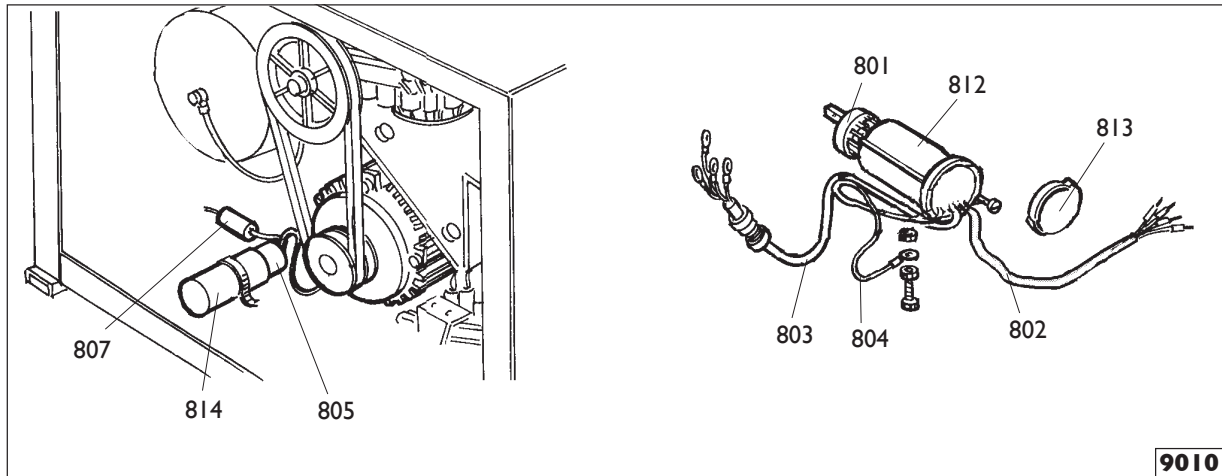
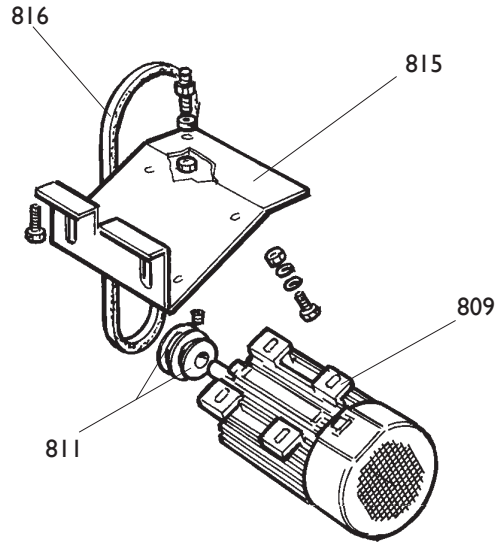
**PANZITTA SALES & SERVICE**  
**72 George Avenue**  
**Wilkes-Barre, PA 18705**  
**570-822-6720 800-822-6720**  
**[www.panzittasales.com](http://www.panzittasales.com)**

	<b>MTS 24</b>	<b>Fig. C</b>	<b>05 / 04</b>	<b>Riduttore</b>
--	---------------	---------------	----------------	------------------

<b>9009</b>	<b>900233704</b>	<b>RIDUTTORE</b>	<b>GEAR BOX</b>	<b>GETRIEBE</b>	<b>REDUCTEUR</b>
<b>9009</b>	<b>900239555</b>	<b>RIDUTTORE pneum.</b>	<b>GEAR BOX air</b>	<b>GETRIEBE</b>	<b>REDUCTEUR</b>
<b>9009</b>	<b>900246020</b>	<b>RIDUTTORE DV</b>	<b>GEAR BOX</b>	<b>GETRIEBE</b>	<b>REDUCTEUR</b>
0361	900319073	PULEGGIA	PULLEY	RIEMENSCHLEIBE	POULIE
0361	900414344	PULEGGIA (pneum.)	PULLEY (air)	RIEMENSCHLEIBE	POULIE
0701	900601280	SPINA ELASTICA	PIN	SPANNSTIFT	CHEVILLE
0708	900601703	CUSCINETTO	BEARING	LAGER	ROULEMENT
0710	900601950	LINGUETTA	TANG	FEDERKEIL	LANGUETTE
0711	9002-03131	CUSCINETTO	BEARING	LAGER	ROULEMENT
0709	900238204	KIT GUARNIZIONI	SEALS KIT	DICHTUNGSATZ	KIT JOINTS

**PANZITTA SALES & SERVICE**  
**72 George Avenue**  
**Wilkes-Barre, PA 18705**  
**570-822-6720 800-822-6720**  
**[www.panzittasales.com](http://www.panzittasales.com)**

**PANZITTA SALES & SERVICE**  
**72 George Avenue**  
**Wilkes-Barre, PA 18705**  
**570-822-6720 800-822-6720**  
**www.panzittasales.com**

**9010**

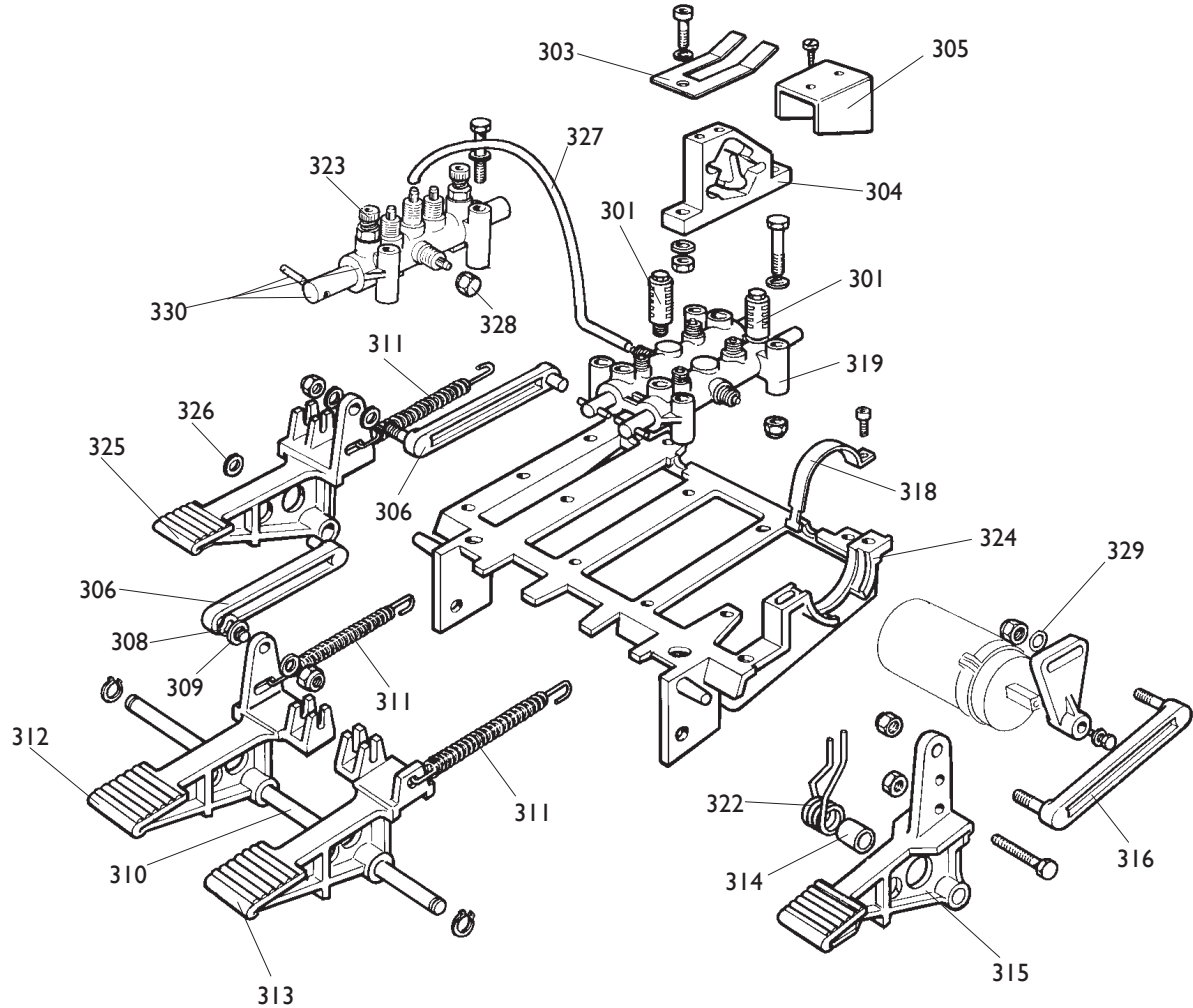


<b>9010</b>	<b>900249882</b>	<b>IMP. ELETTRICO</b>	<b>ELECTRIC SYSTEM</b>	<b>ELEKTRIS. ANLAGE</b>	<b>INS. ELECTRIQUE</b>
		<b>110V Iph</b>	<b>110V Iph</b>	<b>110V Iph</b>	<b>110V Iph</b>
0801	900435363	INVERTITORE	REVERSER	RICHTUNGSWENDER	INVERSEUR
0802	900230709	CAVO	CABLE	KABEL	CABLE
0803	900225419	CAVO	CABLE	KABEL	CABLE
0804	900225051	CAVALLOTTO	U-BOLT	BUEGELBOLZEN	CRAMPILLON
0805	900430750	CAPPELLOTTO	CAP NUT	ABSCHLUSSKAPPE	CAPUCHON
0807	900430770	RESISTENZA	RESISTANCE	WIDERSTAND	RESISTANCE
0814	900449751	CONDENSATORE	CAPACITOR	KONDENSATOR	CONDENSATEUR

<b>9010</b>	<b>C.S.A.</b>	<b>IMP. ELETTRICO</b>	<b>ELECTRIC SYSTEM</b>	<b>ELEKTRIS. ANLAGE</b>	<b>INS. ELECTRIQUE</b>
	<b>9005-101068</b>	<b>110V Iph</b>	<b>110V Iph</b>	<b>110V Iph</b>	<b>110V Iph</b>
0801	900435363	INVERTITORE	REVERSER	RICHTUNGSWENDER	INVERSEUR
0802	900247801	CAVO	CABLE	KABEL	CABLE
0803	900249590	CAVO	CABLE	KABEL	CABLE
0804	900225051	CAVALLOTTO	U-BOLT	BUEGELBOLZEN	CRAMPILLON
0805	900430750	CAPPELLOTTO	CAP NUT	ABSCHLUSSKAPPE	CAPUCHON
0807	900430770	RESISTENZA	RESISTANCE	WIDERSTAND	RESISTANCE
0814	900449751	CONDENSATORE	CAPACITOR	KONDENSATOR	CONDENSATEUR

		<b>MOTORE</b>	<b>MOTOR</b>	<b>MOTOR</b>	<b>MOTEUR</b>
0809	900451842	110V 60Hz	110V 60Hz	110V 60Hz	110V 60Hz
0811	900331067	PULEGGIA	PULLEY	RIEMENSCHLEIBE	POULIE
0812	900432065	PROTEZIONE	SHIELD	ABDECKUNG	PROTECTION
0813	900430991	COPERCHIO	LID	DECKEL	COUVERCLE
0815	900334768	CULLA	CRADLE	WIEGE	BERCEAU
0816	900432009	CINGHIA	BELT	RIEMEN	COURROIE

**PANZITTA SALES & SERVICE**  
**72 George Avenue**  
**Wilkes-Barre, PA 18705**  
**570-822-6720 800-822-6720**  
**www.panzittasales.com**

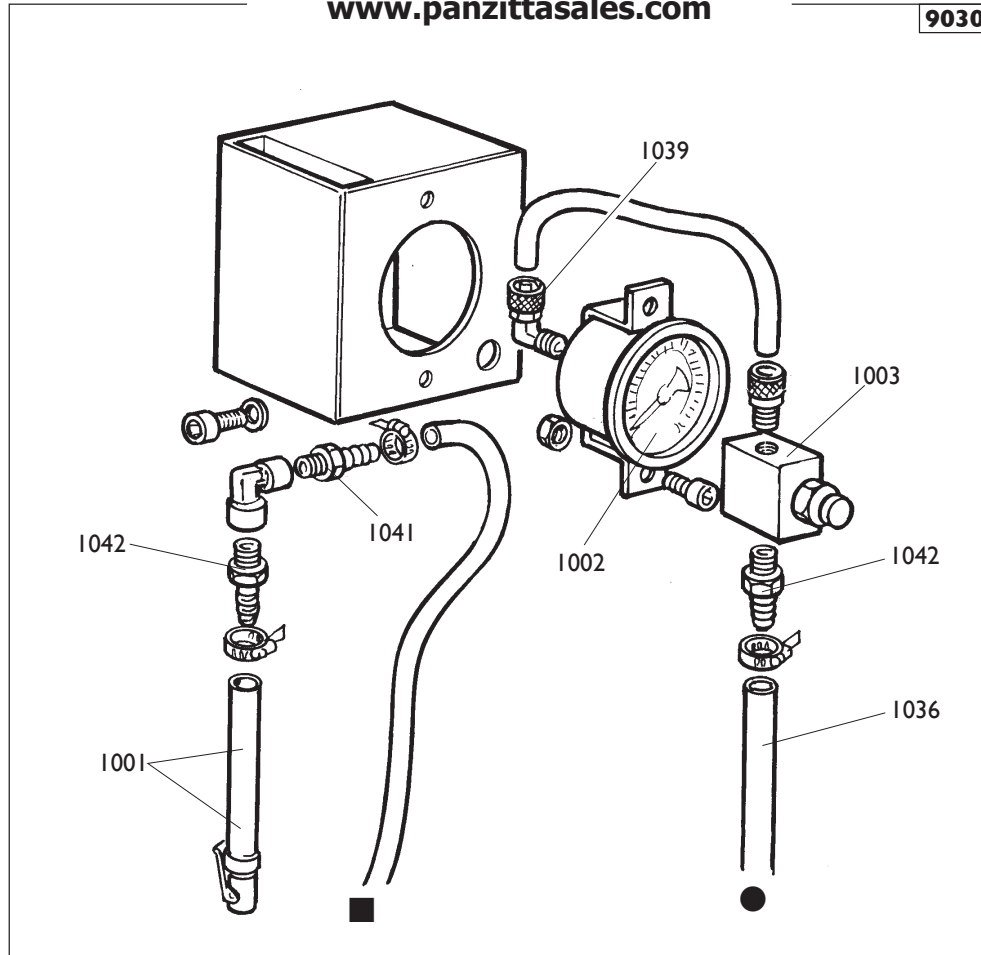
**9018**

**PANZITTA SALES & SERVICE**  
**72 George Avenue**  
**Wilkes-Barre, PA 18705**  
**570-822-6720 800-822-6720**  
**www.panzittasales.com**

<b>9018</b>	<b>900233678</b>	<b>PEDALIERA</b>	<b>CONTROL PEDAL</b>	<b>PEDALERIE</b>	<b>GR.PEDALES</b>
0301	900422682	SILENZIATORE	SILENCER	SCHALLDAEMPFER	SILENCIEUX
0303	900325019	BALESTRA	LEAF SPRING	BLATTFEDER	RESSORT A LAMES
0304	900425020	CAMMA	CAM	NOCKEN	CAME
0305	900325018	CAVALLOTTO	U-BOLT	BUEGELBOLZEN	CRAMPILLON
0306	900425014	BIELLA	TRACE	PLEUELSTANGE	BIELLE
0308	900419888	RONDELLA	WASHER	UNTERLEGSCHIEBE	RONDELLE
0309	900309358	RONDELLA	WASHER	UNTERLEGSCHIEBE	RONDELLE
0310	900325005	PERNO	PIN	ZAPFEN	PIVOT
0311	900410628	MOLLA	SPRING	FEDER	RESSORT
0312	900325031	PEDALE	PEDAL	PEDAL	PEDALE
0313	900325032	PEDALE	PEDAL	PEDAL	PEDALE
0314	900325050	DISTANZIALE	SPACER	ABSTANDSSTUECK	ENTRETOISE
0315	900252010	PEDALE	PEDAL	PEDAL	PEDALE
0316	900425010	BIELLA	TRACE	PLEUELSTANGE	BIELLE
0317	900425027	LEVA	LEVER	HEBEL	LEVIER
0318	900332495	CAVALLOTTO	U-BOLT	BUEGELBOLZEN	CRAMPILLON
0319	900253298	RUBINETTO	COCK	HAHN	ROBINET
0321	900316199	GHIERA	NUT	NUTMUTTER	BAGUE
0322	900428682	MOLLA	SPRING	FEDER	RESSORT
0323	900433675	REGOLATORE	REGULATOR	REGLER	REGULATEUR
0324	900324273	SUPPORTO	SUPPORT	LAGER	SUPPORT
0325	900325030	PEDALE	PEDAL	PEDAL	PEDALE
0326	900452011	BOCCOLA	BUSHING	LAGER	DOUILLE
0327	900317610	TUBO	PIPE	ROHR	TUYAU
0328	900383173	TAPPO	PLUG	STOPFEN	BOUCHON
0330	900257137	RUBINETTO	COCK	HAHN	ROBINET

**PANZITTA SALES & SERVICE**  
**72 George Avenue**  
**Wilkes-Barre, PA 18705**  
**570-822-6720 800-822-6720**  
**[www.panzittasales.com](http://www.panzittasales.com)**

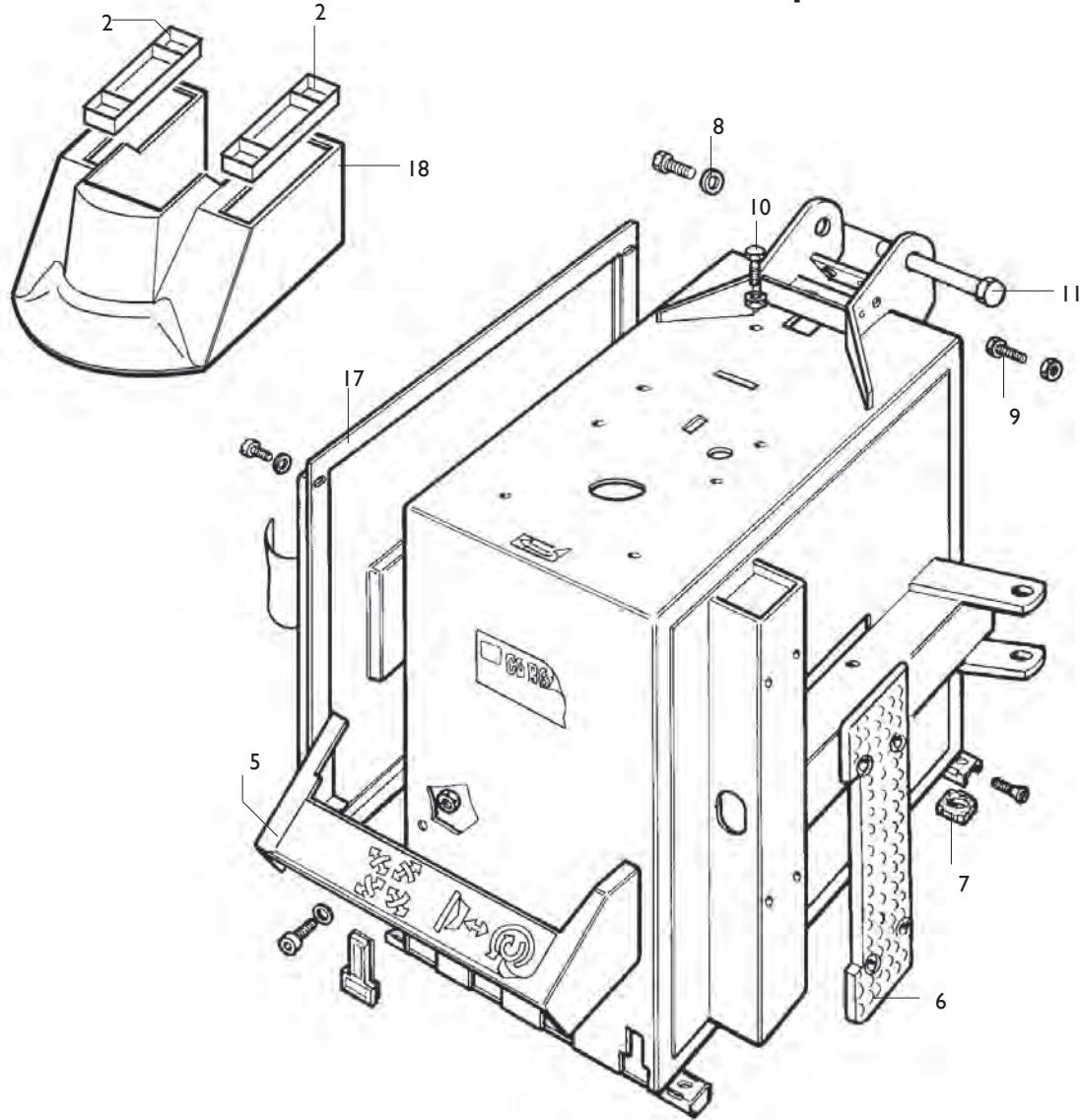
**PANZITTA SALES & SERVICE**  
**72 George Avenue**  
**Wilkes-Barre, PA 18705**  
**570-822-6720 800-822-6720**  
**www.panzittasales.com**



Ø 6	900701684	TUBO	PIPE	ROHR	TUYAU
Ø 8	900701683	TUBO	PIPE	ROHR	TUYAU
Ø 10	900701875	TUBO	PIPE	ROHR	TUYAU

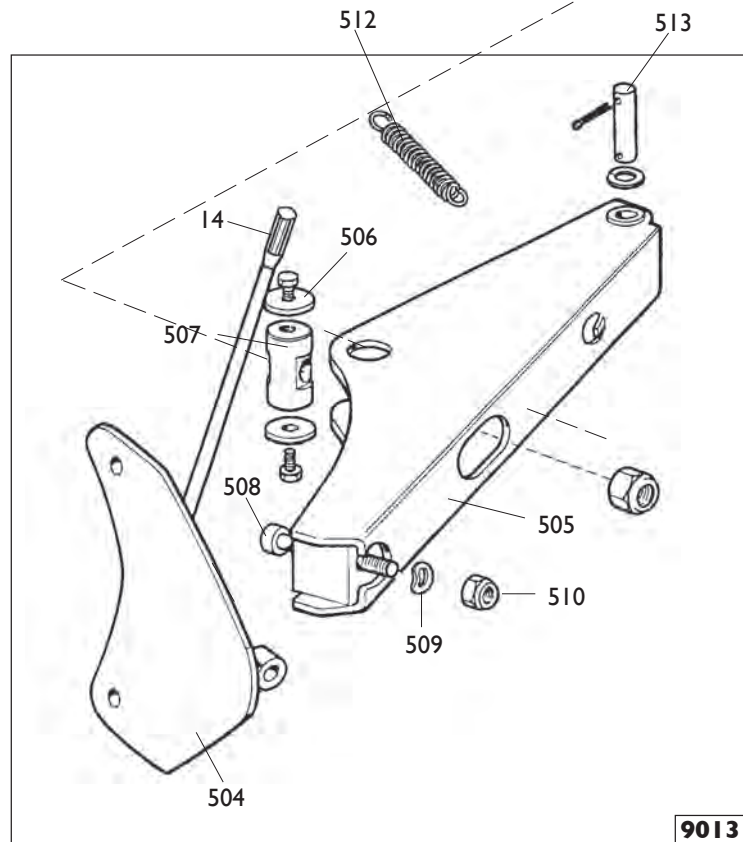
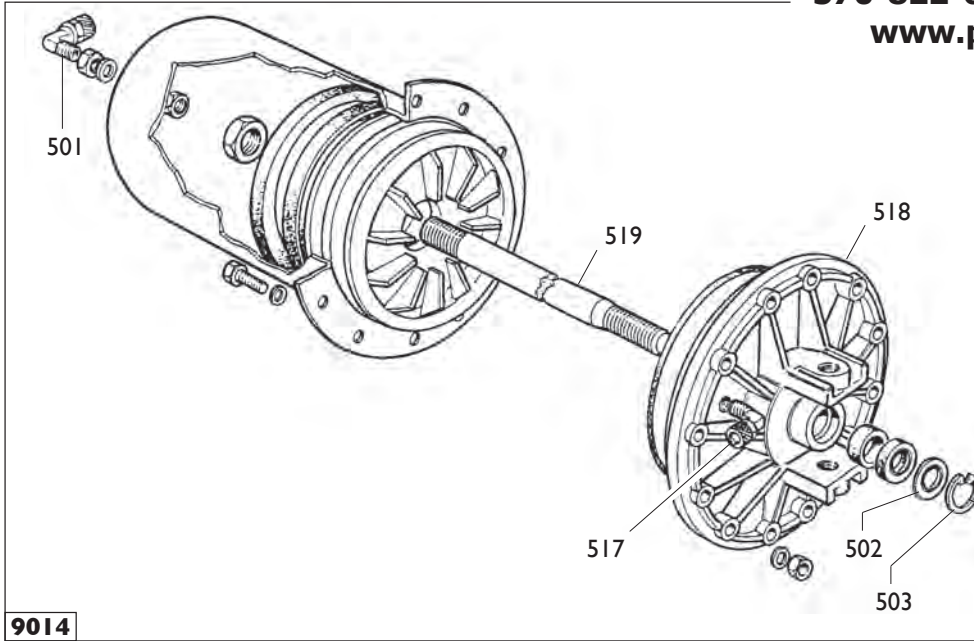
<b>9030</b>	<b>900252599</b>	<b>SCATOLA - BAR/PSI</b>	<b>BOX - BAR/PSI</b>	<b>SCHACHTEL - BAR/PSI</b>	<b>BOITE - BAR/PSI</b>
<b>9030</b>	<b>900259565</b>	<b>SCATOLA - KPA</b>	<b>BOX - KPA</b>	<b>SCHACHTEL - KPA</b>	<b>BOITE - KPA</b>
1001	900235462	TUBO	PIPE	ROHR	TUYAU
		<b>MANOMETRO</b>	<b>PRESSURE GAUGE</b>	<b>DRUCKMESSER</b>	<b>MANOMETRE</b>
1002	900437831	BAR - PSI	BAR - PSI	BAR - PSI	BAR - PSI
1002	900457826	KPA	KPA	KPA	KPA
1003	900235463	VALVOLA	VALVE	VENTIL	VANNE
1036	900352614	TUBO aria	PIPE	ROHR	TUYAU
1039	900434180	RACCORDO	CONNECTOR	ANSCHLUSS	RACCORD
1042	900429536	INNESTO	CLUTCH	KUPPLUNG	EMBAYAGE

**PANZITTA SALES & SERVICE**  
**72 George Avenue**  
**Wilkes-Barre, PA 18705**  
**570-822-6720 800-822-6720**  
**www.panzittasales.com**



0002	900428845	COPERCHIO	LID	DECKEL	COUVERCLE
0005	900426768	PROTEZIONE	SHIELD	ABDECKUNG	PROTECTION
0006	900436199	APPOGGIO	RIM SUPPORT	STUETZE	APPUI
0007	900422019	PIEDE	FOOT	FUSS	PIED
0008	900318183	RONDELLA	WASHER	UNTERLEGSCHIEBE	RONDELLE
0009	900322348	VITE	SCREW	SCHRAUBE	VIS
0010	900320191	VITE	SCREW	SCHRAUBE	VIS
0011	900331055	PERNO	PIN	ZAPFEN	PIVOT
0017	9004-100817	COFANO	HOOD	HAUBE	COFFRE
0018	9004-100818	PROTEZIONE	SHIELD	ABDECKUNG	PROTECTIO

**PANZITTA SALES & SERVICE**  
72 George Avenue  
Wilkes-Barre, PA 18705  
570-822-6720 800-822-6720  
[www.panzittasales.com](http://www.panzittasales.com)



**MTS 24****Fig. I****05 / 04****Stallonatore**

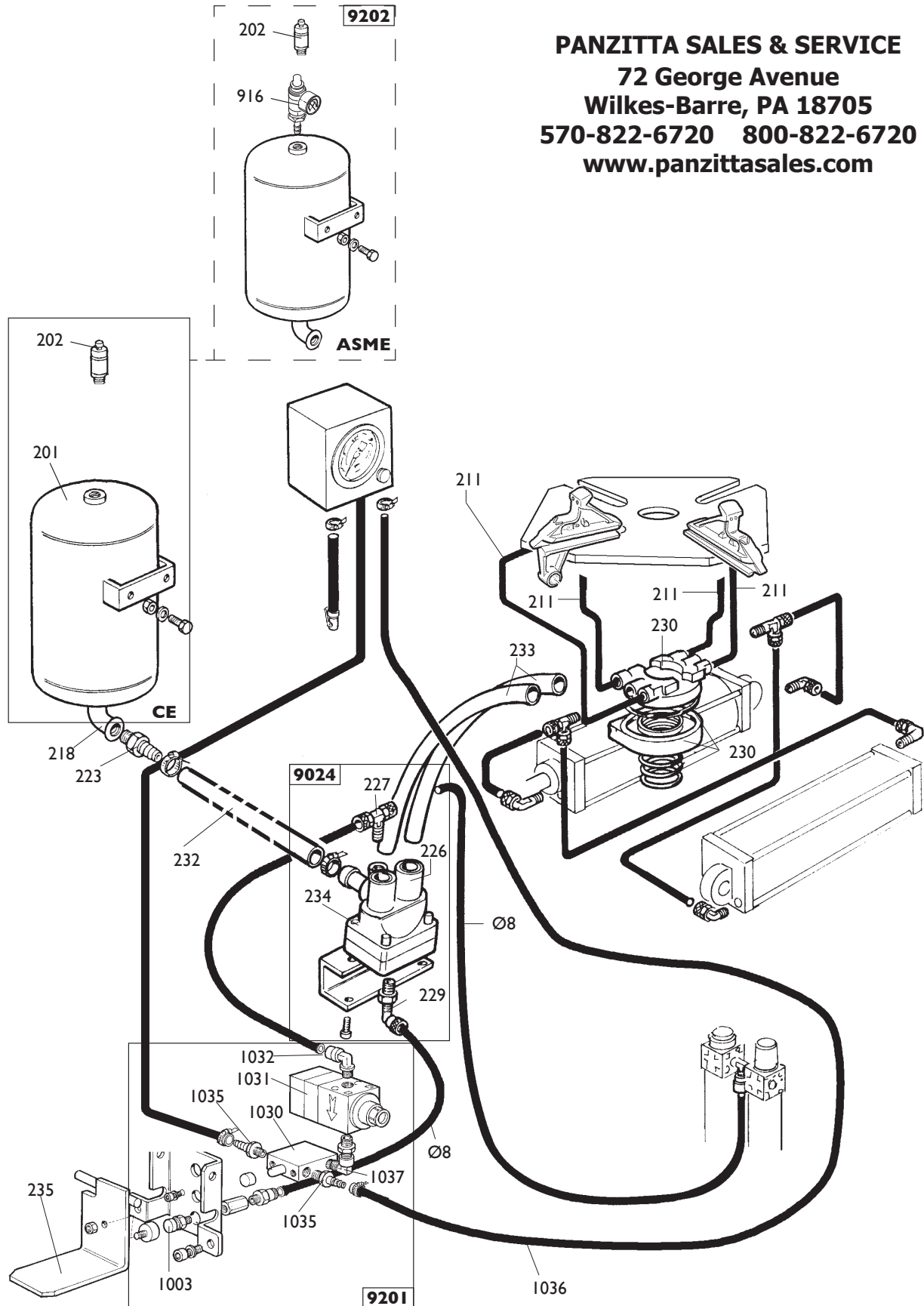
<b>9014</b>	<b>9005-100483</b>	<b>CILINDRO</b>	<b>CYLINDER</b>	<b>ZYLINDER</b>	<b>CYLINDRE</b>
0501	900441598	RACCORDO	CONNECTOR	ANSCHLUSS	RACCORD
0502	900325561	RONDELLA	WASHER	UNTERLEGSCHIEBE	RONDELLE
0503	900434031	ANELLO	RING	RING	ANNEAU
0517	900451926	RACCORDO	CONNECTOR	ANSCHLUSS	RACCORD
0518	900351905	FLANGIA	FLANGE	FLANSCH	FLASQUE
0519	9004-101627	STELO	STEM	SHAPT	TIGE

<b>9013</b>	<b>900249611</b>	<b>BRACCIO</b>	<b>ARM</b>	<b>ARM</b>	<b>BRAS</b>
0014	900425219	MANIGLIA	HANDLE	HANDGRIFF	POIGNEE
0504	900224000	PALETTA	BEAD BREAKER	SCHAUFEL	PELLE
0505	900224003	BRACCIO	ARM	ARM	BRAS
0506	950323901	RONDELLA	WASHER	UNTERLEGSCHIEBE	RONDELLE
0507	900339045	PERNO	PIN	ZAPFEN	PIVOT
0508	900324008	PERNO	PIN	ZAPFEN	PIVOT
0509	900409650	RONDELLA	WASHER	UNTERLEGSCHIEBE	RONDELLE
0510	900422255	DADO	NUT	MUTTER	ECROU

0512	900439105	MOLLA	SPRING	FEDER	RESSORT
0513	900323903	FULCRO	FULCRUM	DREHPUNKT	ENTABLURE
0515	900238212	KIT GUARNIZIONI	SEALS KIT	DICHTUNGSATZ	KIT JOINTS

**PANZITTA SALES & SERVICE**  
**72 George Avenue**  
**Wilkes-Barre, PA 18705**  
**570-822-6720 800-822-6720**  
**www.panzittasales.com**

**PANZITTA SALES & SERVICE**  
**72 George Avenue**  
**Wilkes-Barre, PA 18705**  
**570-822-6720 800-822-6720**  
**www.panzittasales.com**





Ø 6	900701684	TUBO	PIPE	ROHR	TUYAU
Ø 8	900701683	TUBO	PIPE	ROHR	TUYAU

<b>9202</b>	<b>9005-101611</b>	<b>SERBATOIO ASME</b>	<b>TANK ASME</b>	<b>TANK ASME</b>	<b>RESERVOIR ASME</b>
0202	900435077	VALVOLA	VALVE	VENTIL	VANNE
0916	900434818	MANOMETRO	PRESSURE GAUGE	DRUCKMESSER	MANOMETRE

0201	900240968	SERBATOIO CE	TANK	TANK	RESERVOIR
0202	900435077	VALVOLA	VALVE	VENTIL	VANNE
0211	900704223	TUBO	PIPE	ROHR	TUYAU
0218	900438995	RACCORDO	CONNECTOR	ANSCHLUSS	RACCORD
0223	900337704	RACCORDO	CONNECTOR	ANSCHLUSS	RACCORD
0235	900252625	PEDALE	PEDAL	PEDAL	PEDALE

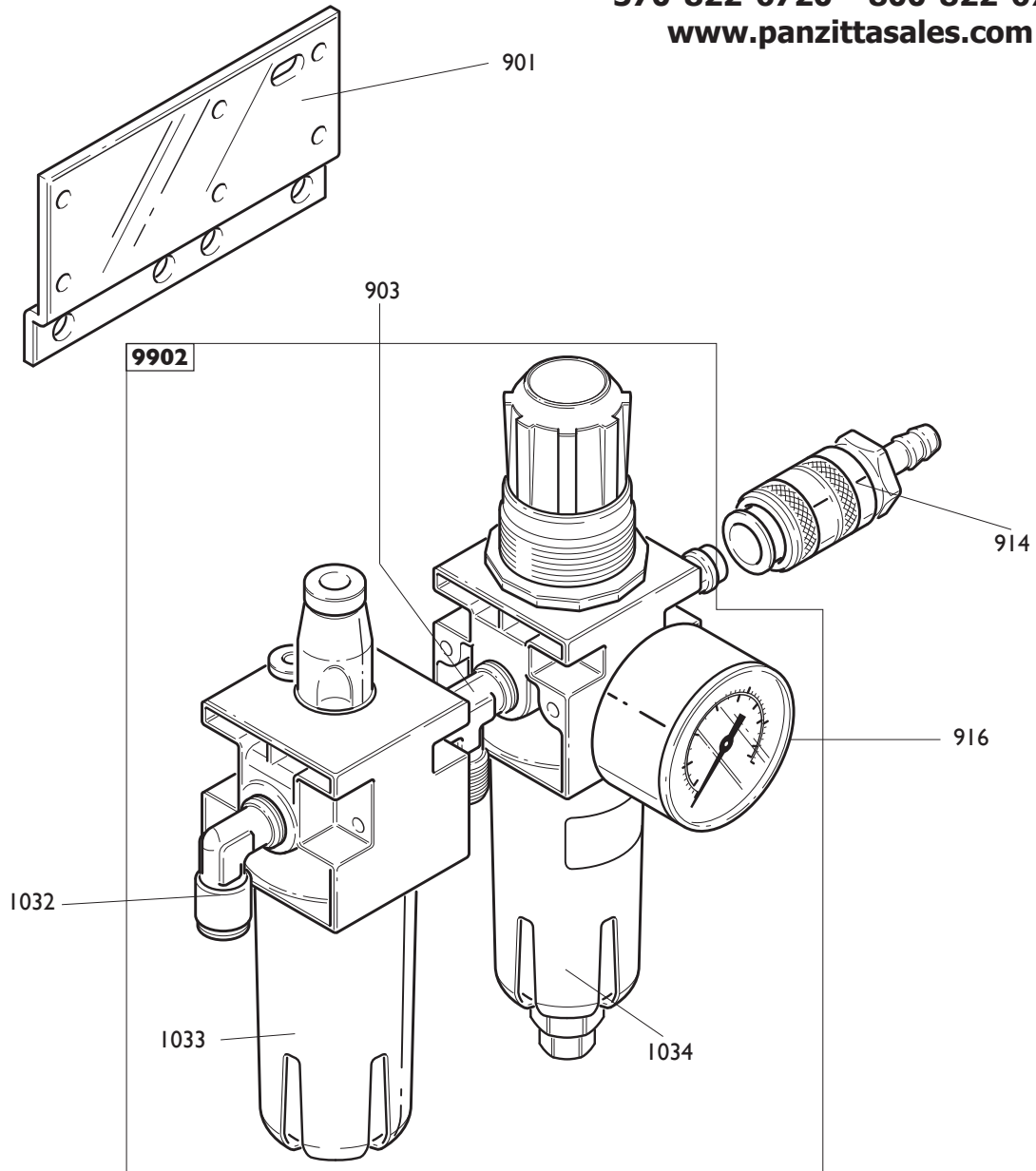
<b>9024</b>	<b>900242290</b>	<b>VALVOLA</b>	<b>VALVE</b>	<b>VENTIL</b>	<b>VANNE</b>
0226	900431993	CARTUCCIA	CARTRIDGE	EINSATZ	CARTOUCHE
0227	900438665	RACCORDO	CONNECTOR	ANSCHLUSS	RACCORD
0229	900441651	RACCORDO	CONNECTOR	ANSCHLUSS	RACCORD
0234	900243020	VALVOLA	VALVE	VENTIL	VANNE

0230	900241841	RACCORDO	CONNECTOR	ANSCHLUSS	RACCORD
0232	900342288	TUBO	PIPE	ROHR	TUYAU
0233	900342289	TUBO	PIPE	ROHR	TUYAU

<b>9201</b>	<b>900252568</b>	<b>GRUPPO gonfiaggio</b>	<b>ASSEMBLY</b>	<b>GRUPPE</b>	<b>GROUPE</b>
1003	900235463	VALVOLA	VALVE	VENTIL	VANNE
1030	900452564	VALVOLA	VALVE	VENTIL	VANNE
1031	900452553	VALVOLA	VALVE	VENTIL	VANNE
1032	900450406	RACCORDO	CONNECTOR	ANSCHLUSS	RACCORD
1035	900421137	INNESTO	CLUTCH	KUPPLUNG	EMBRAYAGE
1036	900352614	TUBO aria	PIPE	ROHR	TUYAU
1037	900418252	NIPPLO	CONNECTION	NIPPEL	NIPPLE

**PANZITTA SALES & SERVICE**  
**72 George Avenue**  
**Wilkes-Barre, PA 18705**  
**570-822-6720 800-822-6720**  
**www.panzittasales.com**

**PANZITTA SALES & SERVICE**  
72 George Avenue  
Wilkes-Barre, PA 18705  
570-822-6720 800-822-6720  
[www.panzittasales.com](http://www.panzittasales.com)



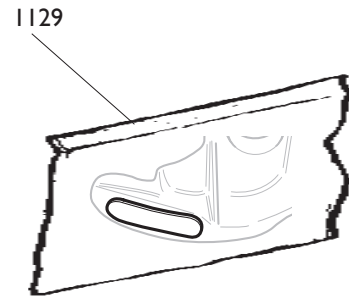
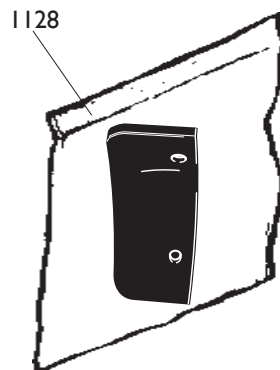
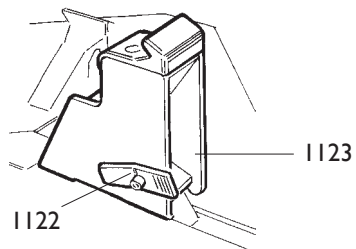
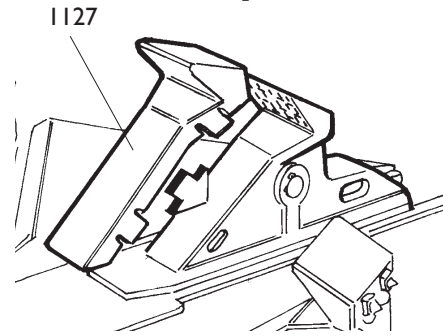
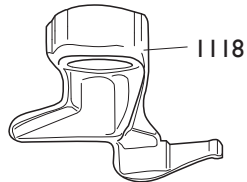
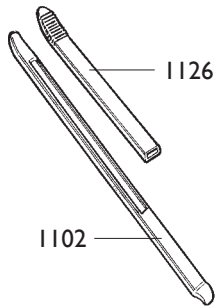
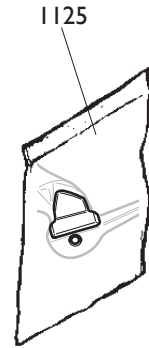
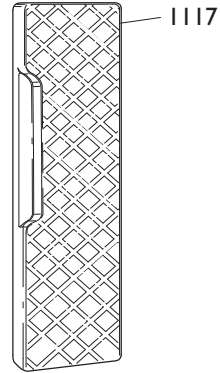
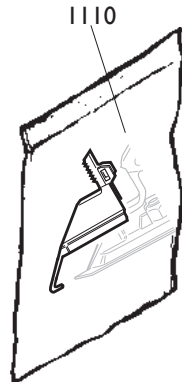
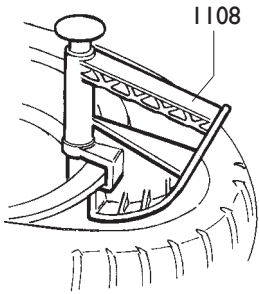
	<b>MTS 24</b>	<b>Fig. M</b>	<b>05 / 04</b>	<b>Gruppo filtro</b>
--	---------------	---------------	----------------	----------------------

0901	900335695	STAFFA	BRACKET	KLAUE	ETRIER
0903	900433873	RACCORDO	CONNECTOR	ANSCHLUSS	RACCORD

<b>9902</b>	<b>900456522</b>	<b>FILTRO</b>	<b>FILTER</b>	<b>FILTER</b>	<b>FILTRE</b>
1033	900457511	BICCHIERE	BOWL	GLAS	BOL
1034	900457512	BICCHIERE	BOWL	GLAS	BOL

0914	900441899	GIUNTO	CUOPLING	KUPPLUNG	ACCOUPLLEMENT
0916	900434818	MANOMETRO	PRESSURE GAUGE	DRUCKMESSER	MANOMETRE
1032	900450406	RACCORDO	CONNECTOR	ANSCHLUSS	RACCORD

**PANZITTA SALES & SERVICE**  
**72 George Avenue**  
**Wilkes-Barre, PA 18705**  
**570-822-6720 800-822-6720**  
**[www.panzittasales.com](http://www.panzittasales.com)**



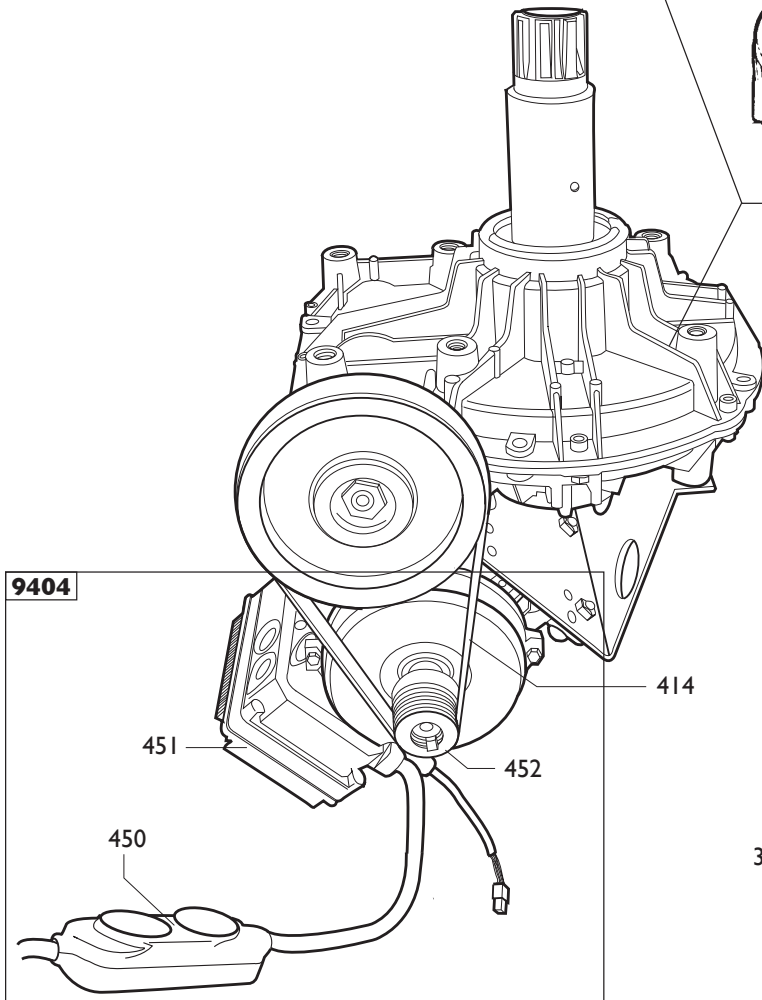
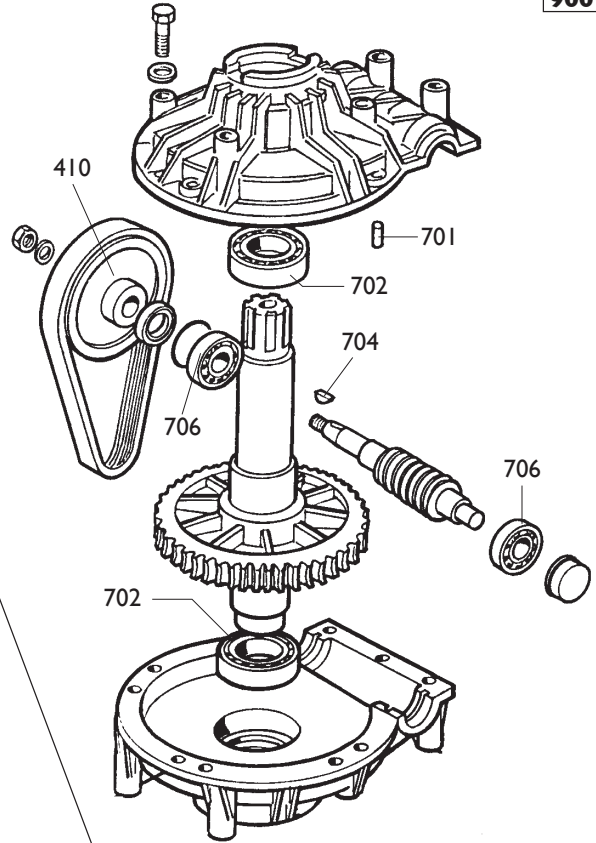
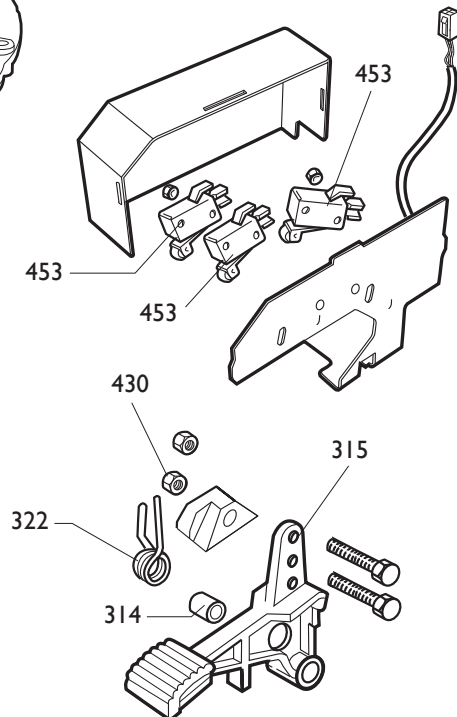
**PANZITTA SALES & SERVICE**  
**72 George Avenue**  
**Wilkes-Barre, PA 18705**  
**570-822-6720 800-822-6720**  
**[www.panzittasales.com](http://www.panzittasales.com)**

	<b>MTS 24</b>	<b>Fig. N</b>	<b>01 / 06</b>	<b>Accessori</b>
--	---------------	---------------	----------------	------------------

1102	900444238	LEVA	LEVER	HEBEL	LEVIER
1108	801435685	PINZA	PLIERS	ZANGE	PINCE
1110	8-11100109	PROTEZIONE	SHIELD	ABDECKUNG	PROTECTION
1117	801458663	PROTEZIONE	SHIELD	ABDECKUNG	PROTECTION
1118	801252083	KIT TORRETTA 8"	HEAD KIT 8"	DREHKOPF KIT 8"	TOUREL KIT 8"
1122	801258650	ATTACCO	ADAPTOR	HALTERUNG	ATTAQUE
1123	900426746	CRICCHETTO	CRICK	SPERRKLINKE	CLIQUET
1125	8-11100106	INSERTO	INSERT	EINLAGE	INSERT
1126	8-11100104	PROTEZIONE	SHIELD	ABDECKUNG	PROTECTION
1127	8-11100108	PROTEZIONE	SHIELD	ABDECKUNG	PROTECTION
1128	8-11100105	PROTEZIONE	SHIELD	ABDECKUNG	PROTECTION
1129	8-11100107	INSERTO	INSERT	EINLAGE	INSERT

**PANZITTA SALES & SERVICE**  
**72 George Avenue**  
**Wilkes-Barre, PA 18705**  
**570-822-6720 800-822-6720**  
**[www.panzittasales.com](http://www.panzittasales.com)**

**PANZITTA SALES & SERVICE**  
72 George Avenue  
Wilkes-Barre, PA 18705  
570-822-6720 800-822-6720  
www.panzittasales.com

**9009****9404**

		<b>MOTORE+INV</b>	<b>MOTOR+REV.</b>	<b>MOTOR+RICHTUNGSW.</b>	<b>MOTEUR+INV.</b>
<b>9404</b>	<b>9005-100712</b>	<b>200-230V Iph</b>	<b>200-230V Iph</b>	<b>200-230V Iph</b>	<b>200-230V Iph</b>
0451	9004-104102	SCHEDA ELETTR.	P.C.BOARD	ELEKTR.PLATINE	FICHE ELECTR.
0450	9004-101687	CAVO	CABLE	KABEL	CABLE
0452	9004-102397	PULEGGIA	PULLEY	RIEMENSCHIEBE	POULIE

		<b>MOTORE+INV</b>	<b>MOTOR+REV.</b>	<b>MOTOR+RICHTUNGSW.</b>	<b>MOTEUR+INV.</b>
<b>9404</b>	<b>9005-101507</b>	<b>115V Iph</b>	<b>115V Iph</b>	<b>115V Iph</b>	<b>115V Iph</b>
0450	9004-104806	CAVO	CABLE	KABEL	CABLE

0315	900252010	PEDALE	PEDAL	PEDAL	PEDALE
0314	900325050	DISTANZIALE	SPACER	ABSTANDSSTUECK	ENTRETOISE

		<b>RIDUTTORE</b>	<b>GEAR BOX</b>	<b>GETRIEBE</b>	<b>REDUCTEUR</b>
0701	900601280	SPINA ELASTICA	PIN	SPANNSTIFT	CHEVILLE
0702	900601220	CUSCINETTO	BEARING	LAGER	ROULEMENT
0704	900600667	LINGUETTA	TANG	FEDERKEIL	LANGUETTE
0706	900601221	CUSCINETTO	BEARING	LAGER	ROULEMENT
0410	900339870	PULEGGIA	PULLEY	RIEMENSCHIEBE	POULIE

0322	900428682	MOLLA	SPRING	FEDER	RESSORT
0414	900440571	CINGHIA	BELT	RIEMEN	COURROIE
0453	900440874	MICROINTERUTORE	MICROSWITCH	MIKROSCHALTER	MICROINTERRUPT.
0454	900461535	BLOCCHETTO	BLOCK	BLOCK	BLOC
0430	900346008	BOCCOLA	BUSHING	LAGER	DOUILLE

**PANZITTA SALES & SERVICE**  
**72 George Avenue**  
**Wilkes-Barre, PA 18705**  
**570-822-6720 800-822-6720**  
**www.panzittasales.com**