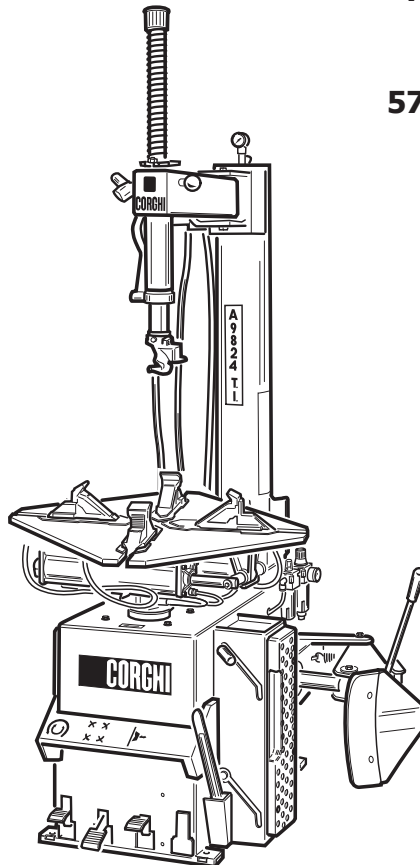


A9824 TI

Pezzi di ricambio / Spare parts list

PANZITTA SALES & SERVICE
72 George Avenue
Wilkes-Barre, PA 18705
570-822-6720 800-822-6720
www.panzittasales.com

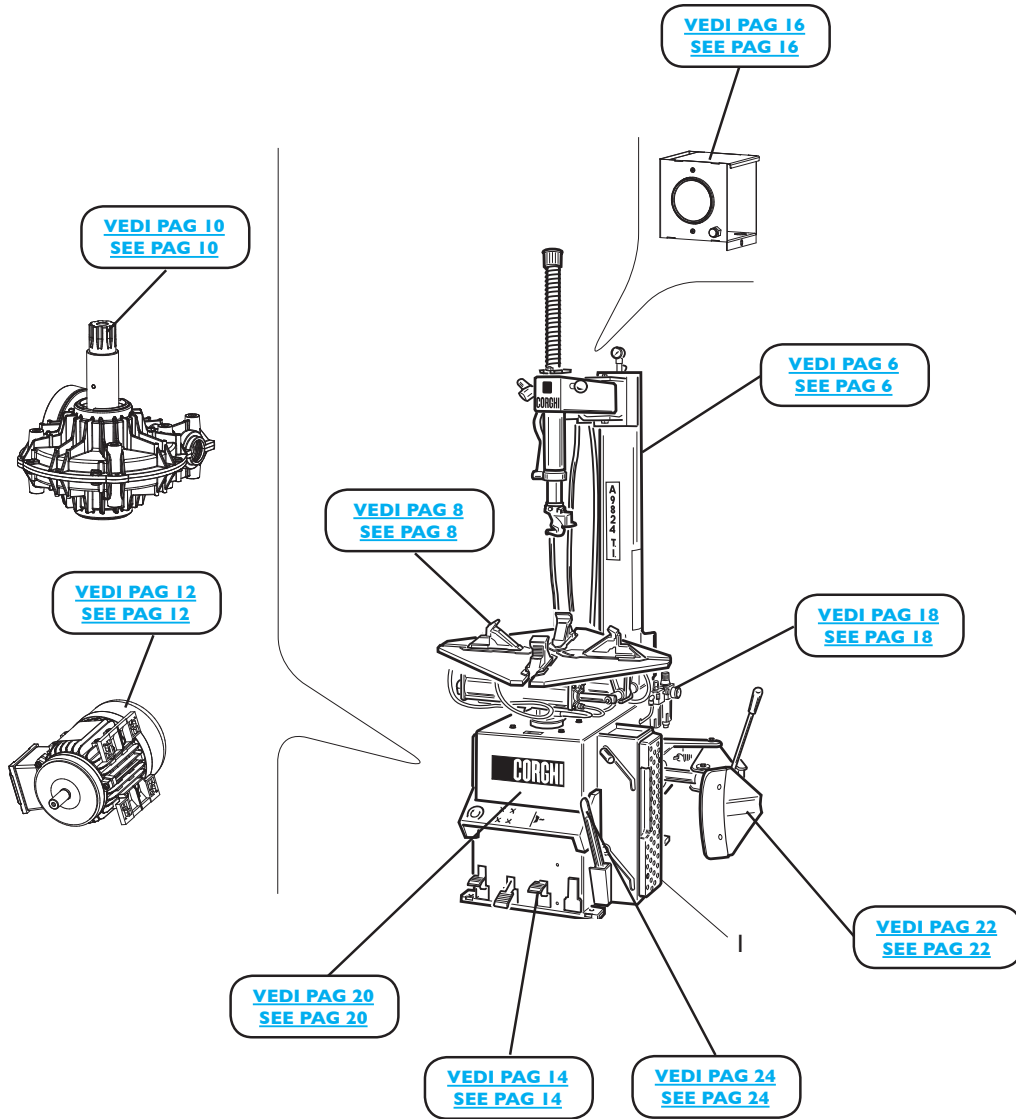


Code: 4-103962H

Production date: 02 / 2017



COMPLESSIVO A9824 TI A9824 TI OVERALL

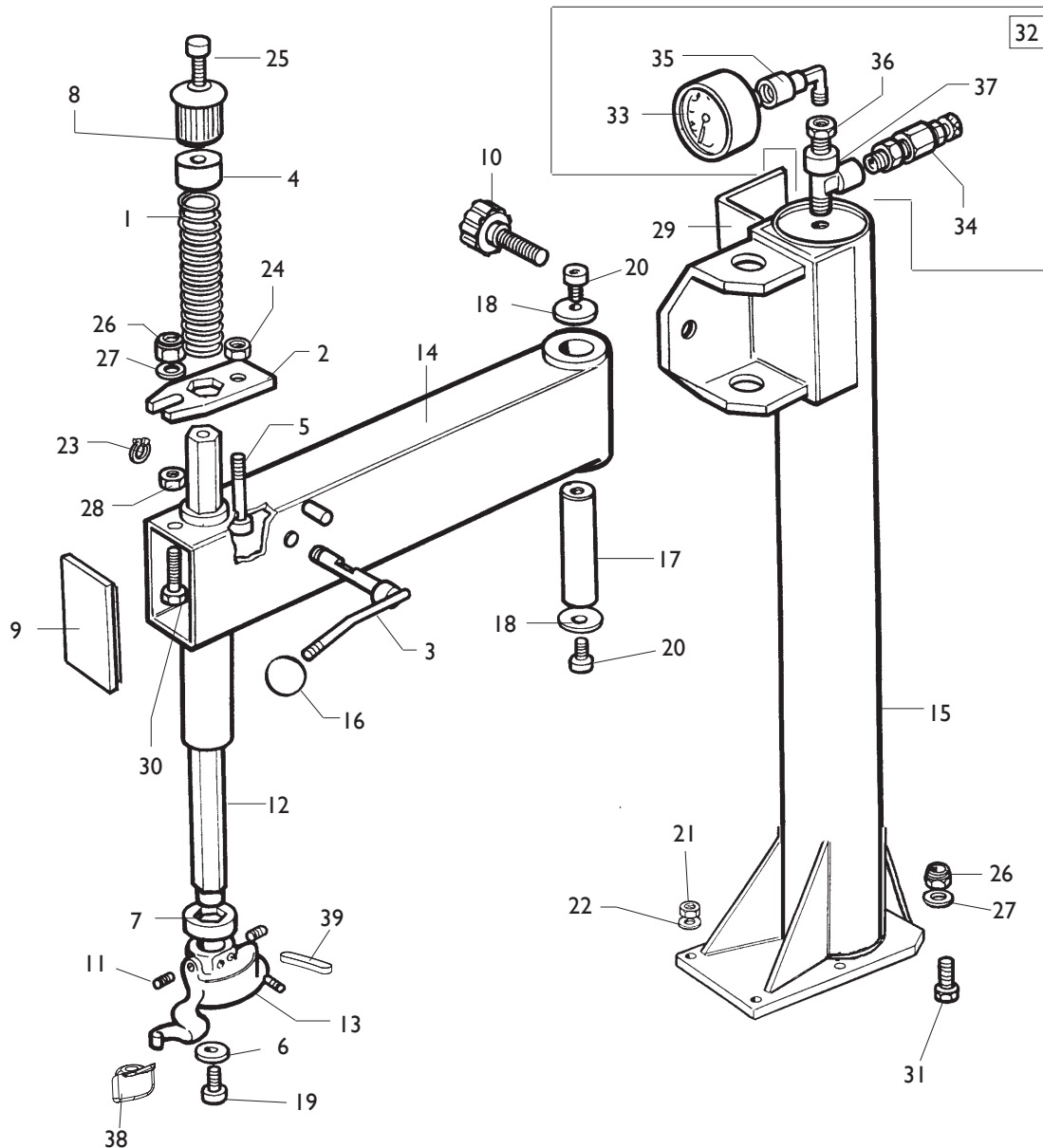


PANZITTA SALES & SERVICE
72 George Avenue
Wilkes-Barre, PA 18705
570-822-6720 800-822-6720
www.panzittasales.com

Rif. Ref.	Codice Code	Descrizione	Description
I	436199	APPOGGIO CERCHIO	RIM SUPPORT

PANZITTA SALES & SERVICE
72 George Avenue
Wilkes-Barre, PA 18705
570-822-6720 800-822-6720
www.panzittasales.com

GRUPPO BRACCIO OPERANTE OPERATING ARM GROUP



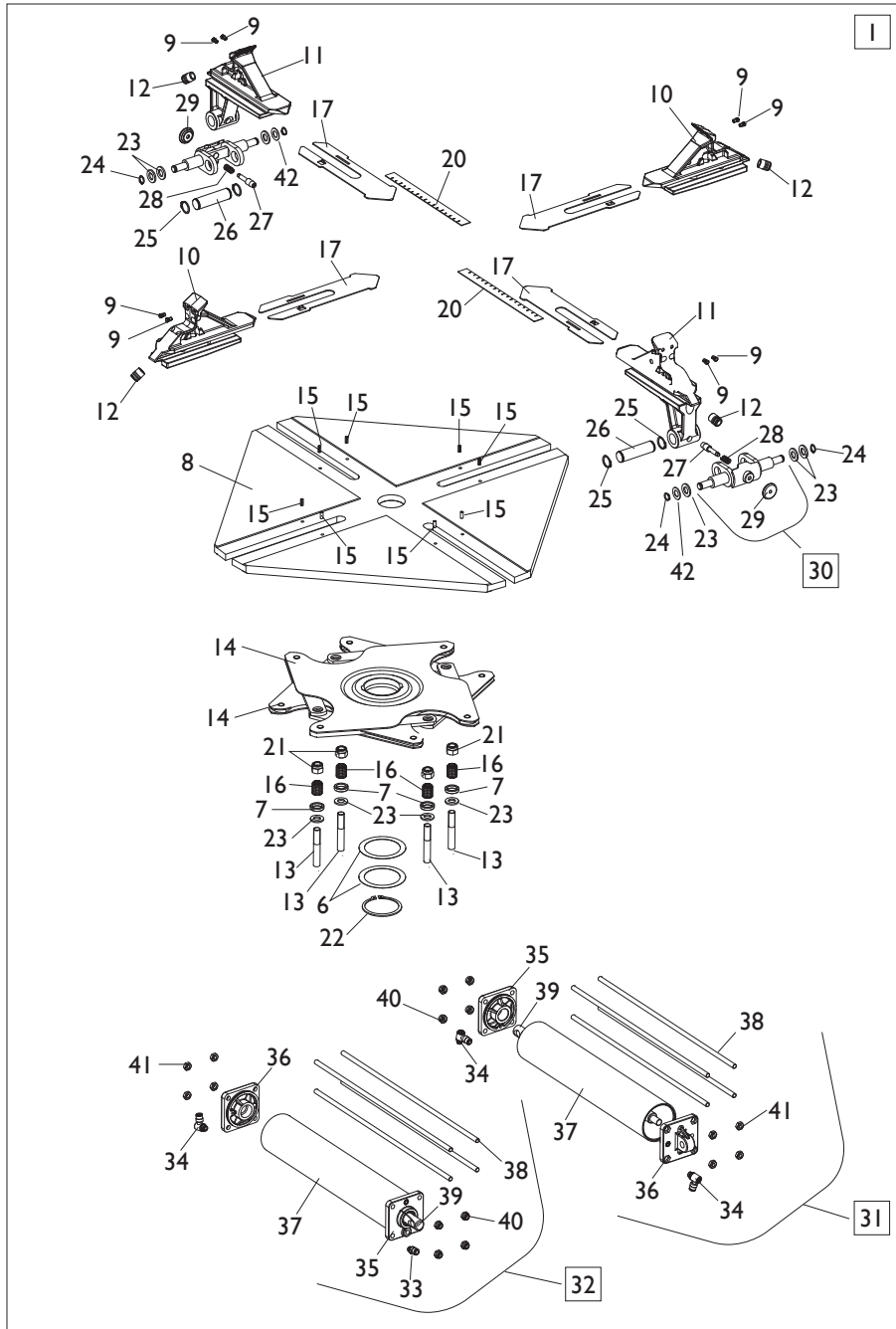
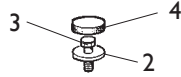
PANZITTA SALES & SERVICE
72 George Avenue
Wilkes-Barre, PA 18705
570-822-6720 800-822-6720
www.panzittasales.com

Rif. Ref.	Codice Code	Descrizione	Description
1	440341	MOLLA D.44,5X3,2X532	SPRING D.44,5X3,2X532
2	341001	PIASTRA BLOCCAGGIO VERTICALE	VERTICAL LOCKING PLATE
3	223877	LEVA CON ECCENTRICO	LEVER
4	346273	PIASTRINA PER NOTTOLINO	PLATE
5	341249	VITE SPECIALE M12X50	SPECIAL SCREW M12X50
6	350194	RONDELLA D.12X33X5	WASHER D.12X33X5
7	428681	ANELLO AMMORTIZZATORE	DAMPING RING
8	423907	POMOLO	KNOB
9	429971	COPERCHIO	COVER
10	441580	MANOPOLA M20X1,5	HANDLE M20X1,5
11	2-71537	VSTEI M12X16	CSK SCREW SOCKET M12X16
12	340343	BRACCIO VERTICALE	VERTICAL ARM
13	258458	TORRETTA COMPLETA	HEAD ASSEMBLY
14	238779	BRACCIO A BANDIERA	ORIZONTAL ARM
15	5-101130	PALO	ARM
16	423889	MANOPOLA	HANDLE
17	323881	PERNO BRACCIO	ARM PIN
18	318216	RONDELLA D.12,5X50X4	WASHER D.12,5X50X4
19	350197	VITE SPECIALE FISS.TORRETTA M10X20	SPECIAL SCREW M10X20
20	2-01225	VTE M12X25	HEXAGON HEAD SCREW M12X25
21	2-01275	DADO ES.N. M10	NORMAL HEXAGON NUT M10
22	441631	RONDELLA D.48X13X3	WASHER D.48X13X3
23	2-00025	SEEGER D.12	SEEGER D.12
24	2-00153	DADO ES. M12	HEXAGON NUT M12
25	2-01312	VTCEI 1/2F M8X80	HEXAGON SOCKET HEAD SCREW 1/2F M8X80
26	2-01019	DADO ES.A. M10	AUTOLOCKING HEXAGON NUT M10
27	2-00213	RONDELLA D.10	WASHER D.10
28	2-00152	DADOES. M10	HEXAGON NUT M10
29	338808	SUPPORTO SCATOLA GONFIAGGIO	INFLATION BOX SUPPORT
30	2-00382	VTE M10X45	HEXAGON HEAD SCREW M10X45
31	2-00430	VTE 1/2F M10X65	HEXAGON HEAD SCREW 1/2F M10X65
32	241608	GRUPPO MANOMETRO	GAUGE ASSEMBLY
*32	5-107617	GRUPPO MANOMETRO (ASME/CRN)	GAUGE ASSEMBLY (ASME/CRN)
33	3-00488	MANOMETRO D.40 1/8 0-12 BAR/PSI	PRESSURE GAUGE D.40 1/8 0-12 BAR/PSI
*33	3-03520	MANOM. D.40 25 BAR	PRESS. GAUGE D.40 25 BAR
34	3-00356	LIMITATORE DI PRESSIONE	VALVE
*34	3-03519	LIM. DI PRESS. 11 BAR (ASME/CRN)	VALVE 11 BAR (ASME/CRN)
35	3-00138	RACCPN-L G1/8	L-FITTING G1/8
36	3-00271	RACCPN-G3/8-1/8F	FITTING G3/8-1/8F
37	3-00131	RACCPN-TL-G3/8CG-FF	TL-FITTING G3/8CG-FF
38	4-104729	INSERTO GIALLO	YELLOW INSERT
39	4-104730	INSERTO GIALLO	YELLOW INSERT

*** Solo per Canada
Only for Canada**

PANZITTA SALES & SERVICE
72 George Avenue
Wilkes-Barre, PA 18705
570-822-6720 800-822-6720
www.panzittasales.com

GRUPPO AUTOCENTRANTE 10-24” TURNTABLE GROUP 10-24”

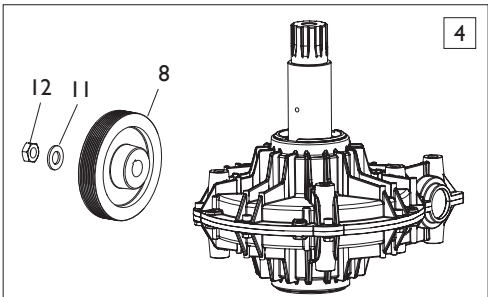
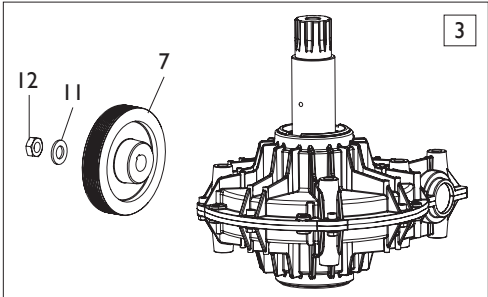
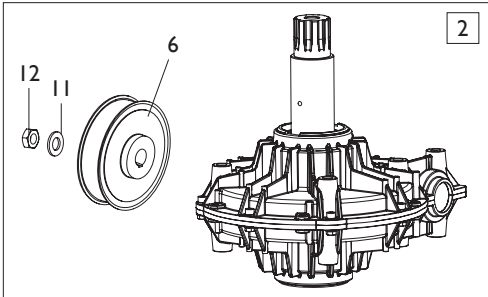
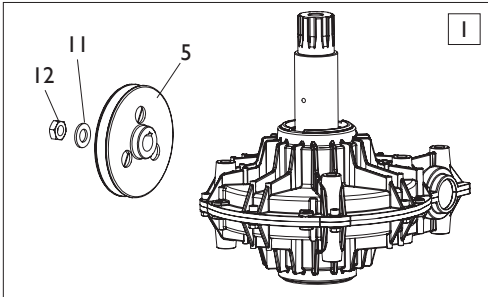
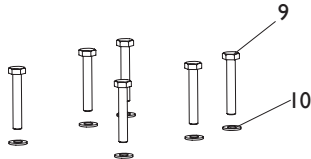


PANZITTA SALES & SERVICE
72 George Avenue
Wilkes-Barre, PA 18705
570-822-6720 800-822-6720
www.panzittasales.com

Rif. Ref.	Codice Code	Descrizione	Description
1	5-100461	GRUPPO AUTOCENTRANTE T.I. 10-24"	TURNTABLE T.I.ASSEMBLY 10-24"
2	323363	RONDELLA D.16,5X48X10	WASHER D.16,5X48X10
3	2-01216	VTE M16X1,5X35	HEXAGON HEAD SCREW M16X1,5X35
4	426514	TAPPO TONDO	ROUND CAP
5	238548	KIT GUARNIZIONI CILINDRI	CYLINDERS SEAL KIT
6	455082	RONDELLA D.65X85X0,4	WASHER D.65X85X0,4
7	437964	RONDELLA D.18,5X25X5	WASHER D.18,5X25X5
8	4-101438	PIATTO AUTOCENTRANTE 10-24"	TURNTABLE PLATE 10-24"
9	339146	PUNTA DI BLOCCAGGIO	LOCKING PEAK
10	5-100485	APP. SCORREVOLE TRAINATO T.I.	RIM SUPPORT T.I.
11	5-100488	APP. SCORREVOLE TRAINANTE T.I.	RIM SUPPORT T.I.
12	441100	RACCORDO T.10	FITTING T.10
13	2-02199	VTE 1/2F M12X1,25X75	HEXAGON HEAD SCREW 1/2F M12X1,25X75
14	4-101651	FLANGIA COMANDO BIELLE	FLANGE CONTROL RODS
15	2-01059	SPINA D.5X12	PLUG D.5X12
16	353803	BOCCOLA D.12X18X22,2	BUSHING D.12X18X22,2
17	4-101441	SLITTA COPRIASOLA 10-24"	PLATE 10-24"
20	4-101456	RIGHELLO MISURA POLLICI 10-24"	RULER MEASUREMENT INCHES 10-24"
21	2-02200	DADO ES.A. M12X1,25	AUTOLOCKING HEXAGON NUT M12X1,25
22	2-01283	ANELLO D.65	SEEGER D.65
23	2-00214	RONDELLA D.12	WASHER D.12
24	2-00025	SEEGER D.12	SEEGER D.12
25	2-71587	SEEGER D.20	SEEGER D.20
26	4-101442	PERNO	PIN
27	4-101444	INNESTO	CONNECTION
28	4-101422	MOLLA D.1,2X10X20	SPRING D.1,2X10X20
29	4-109834	POMOLO	KNOB
30	5-103522	KIT MANOVELLE + POMOLI (2PZ)	KNOB KIT (2 PIECES)
31	5-100455	CILINDRO DX D.70X304,5 10-24"	RIGHT CYLINDER D.70X304,5 10-24"
32	5-100454	CILINDRO SX D.70X304,5 10-24"	LEFT CYLINDER D.70X304,5 10-24"
33	3-02045	RACCPN-D- G1/8 T6 + O-RING	D-FITTING G1/8 WITH O-RING
34	3-02044	RACCPN-LO- G1/8 T6 + O-RING	LO-FITTING G1/8 WITH O-RING
35	5-105111	FLANGIA ANTERIORE D.70	FRONT FLANGE D.70
36	4-115948	FLANGIA POSTERIORE D.70	REAR FLANGE D.70
37	4-115951	CAMICIA D.70X338,5 10-24"	LINER D.70X338,5 10-24"
38	4-115949	TIRANTE D.7X368 M8 10-24"	TIE ROD D.7X368 M8 10-24"
39	4-115959	STELO D.20X437	STEM D.20X437
40	2-01137	DADO ES.A. M8	AUTOLOCKING HEXAGON NUT M8
41	2-00156	DADO ES. M8	HEXAGON NUT M8
42	428636	ROND D.12.3 x 22.8 x 1	WASHER D.12.3 x 22.8 x 1

PANZITTA SALES & SERVICE
72 George Avenue
Wilkes-Barre, PA 18705
570-822-6720 800-822-6720
www.panzittasales.com

GRUPPO RIDUTTORE GEARBOX GROUP



PANZITTA SALES & SERVICE
72 George Avenue
Wilkes-Barre, PA 18705
570-822-6720 800-822-6720
www.panzittasales.com

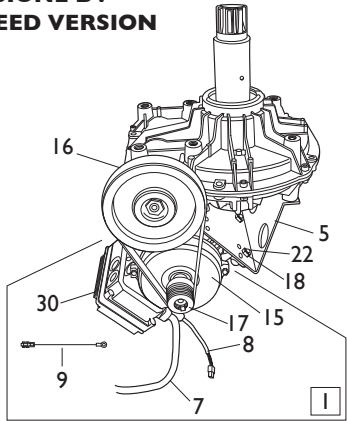
Rif. Ref.	Codice Code	Descrizione	Description
1	5-102647	RIDUTTORE 1 VELOCITA	GEARBOX 1 SPEED
2	5-102651	RIDUTTORE PNEUMATICO	GEARBOX PNEUMATIC
3	5-101783	RIDUTTORE 2 VELOCITA	GEARBOX 2 SPEED
4	5-102652	RIDUTTORE CSA	GEARBOX CSA
5	314344	PULEGGIA 1 VELOCITA	PULLEY 1 SPEED
6	319073	PULEGGIA PNEUMATICA	PULLEY PNEUMATIC
7	339870	PULEGGIA 2 VELOCITA	PULLEY 2 SPEED
8	354082	PULEGGIA CSA	PULLEY CSA
9	2-01046	VTE M10X55	HEXAGON HEAD SCREW M10X55
10	2-00213	RONDELLA D.10	WASHER D.10
11	2-00215	RONDELLA D.14	WASHER D.14
12	2-00941	DADO ES. M14	HEXAGON NUT M14

PANZITTA SALES & SERVICE
72 George Avenue
Wilkes-Barre, PA 18705
570-822-6720 800-822-6720
www.panzittasales.com

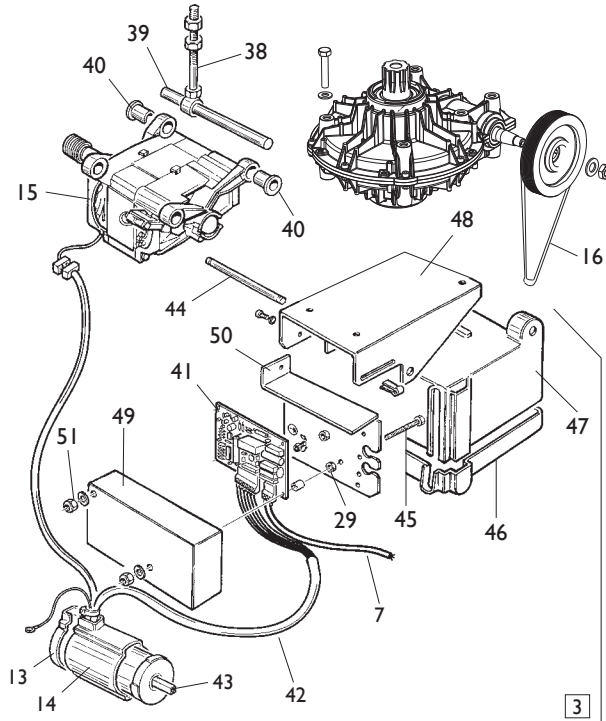
IMPIANTO ELETTRICO ELECTRICAL SYSTEM

PANZITTA SALES & SERVICE
72 George Avenue
Wilkes-Barre, PA 18705
570-822-6720 800-822-6720
www.panzittasales.com

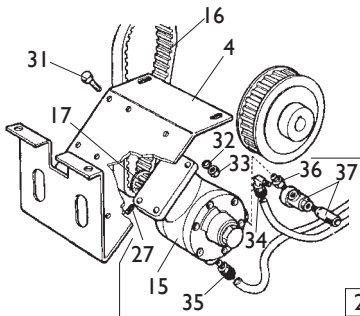
**VERSIONE DV
2 SPEED VERSION**



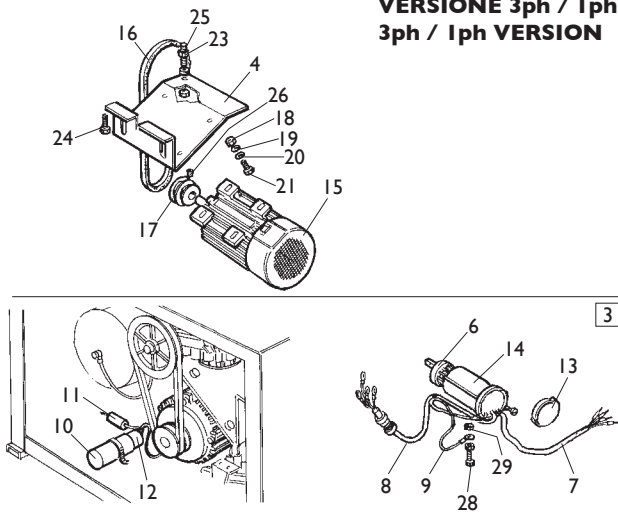
**VERSIONE CSA
CSA VERSION**



**VERSIONE PNEUMATICA
PNEUMATIC VERSION**

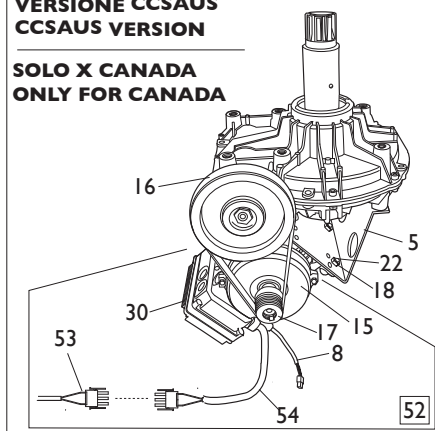


**VERSIONE 3ph / 1ph
3ph / 1ph VERSION**



**VERSIONE CCSAUS
CCSAUS VERSION**

**SOLO X CANADA
ONLY FOR CANADA**



**TORNA AL COMPLESSIVO
RETURNS TO OVERALL**

Ref.	Code	Descrizione	Description
1	5-104995	MOTOINVERTER DV 115V/1/50-60HZ	MOTOINVERTER 2 SPEED 115V/1/50-60HZ
2	236726	MOTORE PNEUMATICO CON PULEGGIA	PNEUMATIC MOTOR ASSEMBLY
3	5-103989	IMPIANTO ELETTRICO 115V 1ph	ELECTRICAL SYSTEM 115V 1ph
3	235574	IMPIANTO ELETTRICO 400/230V 3ph	ELECTRICAL SYSTEM 400/230V 3ph
3	262569	IMPIANTO ELETTRICO CSA	ELECTRICAL SYSTEM CSA
4	334768	CULLA MOTORE	MOTOR SUPPORT
5	4-109965	CULLA MOTOINVERTER DV / CCSAUS	MOTOINVERTER / CCSAUS SUPPORT
6	5-102742	INVERTITORE	INVERTER
7	447801	CAVO RETE 115V 1ph	SUPPLY CABLE 115V 1ph
7	247801	CAVO RETE CSA	SUPPLY CABLE CSA
7	235518	CAVO RETE 400/230V 3ph	SUPPLY CABLE 440/230V 3ph
7	4-111586	CAVO RETE MOTOINVERTER	SUPPLY CABLE MOTOINVERTER

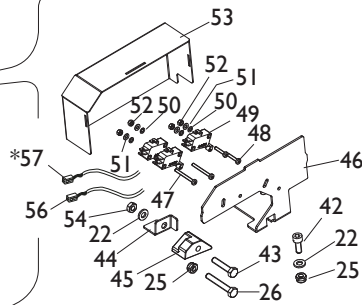
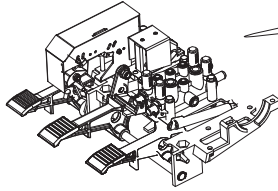
Ref.	Code	Descrizione	Description
8	249590	CAVO MOTORE 115V 1ph	MOTOR CABLE 115V 1ph
8	225390	CAVO MOTORE 400/230V 3ph	MOTOR CABLE 400/230V 3ph
8	4-109895	CAVO COMANDI MOTOINVERTER	COMMAND CABLE MOTOINVERTER
8	4-121510	CAVO COMANDI CCSAUS	COMMAND CABLE CCSAUS
9	249601	CAVO DI MASSA L.350mm 115V 1ph	U-BOLT L.350mm 115V 1ph
9	225051	CAVO DI MASSA L.350mm 400/230V 3ph	U-BOLT L.350mm 400/230V 3ph
9	4-101659	CAVO DI MASSA L.400mm MOTOINV.	U-BOLT L.400mm MOTOINVERTER
10	430750	CAPPELLOTTO D.45 115V 1ph	CAP NUT 115V 1ph
11	430770	RESISTENZA 330K OHM	RESISTANCE 330K OHM
12	4-112706	CONDENSATORE 50mf 115V 1ph	CAPACITOR 50mf 115V 1ph
13	430991	COPERCHIO PROTEZIONE	LID
14	432065	PROTEZIONE INVERTITORE	INVERTER COVER
15	422013	MOTORE 400/230V 3ph	MOTOR 400/230V 3ph
15	4-112454	MOTORE 115V 1ph	MOTOR 115V 1ph
15	462139	MOTORE CSA	MOTOR CSA
15	4-113412	MOTOINVERTER (NO SK) 230/115V	MOTOINVERTER (NO P.C. BOARD) 230/115V
15	319135	MOTORE PNEUMATICO	PNEUMATIC MOTOR
15	4-121508	MOTOINVERTER (NO SK) CCSAUS	MOTOINVERTER (NO P.C. BOARD) CCSAUS
16	3-00573	CINGHIA MOTORE 2V	MOTOR BELT 2 SPEED
16	3-00555	CINGHIA MOTORE 3ph / 1ph	MOTOR BELT 3ph / 1ph
16	3-00575	CINGHIA MOTORE CSA	MOTOR BELT CSA
16	3-00585	CINGHIA MOTORE PNEUMATICO	BELT FOR PNEUMATIC MOTOR
17	331067	PULEGGIA MOTORE 3ph / 1ph	MOTOR PULLEY 3ph / 1ph
17	319076	PULEGGIA MOTORE PNEUMATICO	PULLEY FOR PNEUMATIC MOTOR
17	4-102397	PULEGGIA MOTOINVERTER	PULLEY FOR MOTOINVERTER
18	421349	DADO ES.A. M8	AUTOLOCKING HEXAGON NUT M8
19	339208	RONDELLA D.8,5X22X4	WASHER D.8,5X22X4
20	2-00212	RONDELLA D.8	WASHER D.8
21	2-00374	VTE M8X25	HEXAGON HEAD SCREW M8X25
22	2-00375	VTE M8X30	HEXAGON HEAD SCREW M8X30
23	2-00152	DADO ES. M10	HEXAGON NUT M10
24	2-00328	VTCEI M10X20	HEXAGON SOCKET HEAD SCREW M10X20
25	455920	VSTEI SPECIALE M10X60	SPECIAL SCREW M10X60
26	2-01091	VSTEI M6X5	CSK SCREW SOCKET M6X5
27	2-00801	VSTEI M6X6	CSK SCREW SOCKET M6X6
28	2-00605	VITE M4X10	SCREW M4X10
29	2-00143	DADO ES. M4	HEXAGON NUT M4
30	4-113414	SK MOTOINVERTER 115V	MOTOINVERTER P.C. BOARD 115V
30	4-121512	SK MOTOINVERTER CCSAUS	MOTOINVERTER P.C. BOARD CCSAUS
31	2-00363	VTE M6X25	HEXAGON HEAD SCREW M6X25
32	2-00211	RONDELLA D.6	WASHER D.6
33	422288	DADO ES.A. M6	AUTOLOCKING HEXAGON NUT M6
34	3-00109	RACCPN-L G1/8C T10/8	L-FITTING G1/8C T10/8
35	3-00040	RACCPN-D G1/4C T10/8	D-FITTING G1/4C T10/8
36	3-00141	NIPPLO G1/4C	NIPPLES G1/4C
37	3-00316	VALVOLA G1/8	VALVE G1/8
38	5-100519	TIRANTE MOTORE	MOTOR TIE-ROD
39	340367	PERNO CORTO	SHORT PIN
40	440365	BOCCOLA D.12X20X28	BUSH D.12X20X28
41	462138	SK CSA	P.C. BOARD CSA
42	262570	CAVO COLL. MOTORE-SK CSA	CABLE CSA
43	5-102744	INVERTITORE CSA	INVERTER CSA
44	346012	PERNO FULCRO	FULCRUM PIN
45	2-91645	VTCIC M4X70	SCREW M4X70
46	462571	COPERTURA MOTORE INFERIORE	REAR MOTOR COVER
47	462572	COPERTURA MOTORE SUPERIORE	FRONT MOTOR COVER
48	346017	CULLA MOTORE CSA	MOTOR SUPPORT CSA
49	462573	COPERCHIO SK CSA	P.C BOARD COVER CSA
50	349299	SUPPORTO SK CSA	P.C. BOARD SUPPORT CSA
51	2-01018	DADO ES.A. M4	AUTOLOCKING HEXAGON NUT M4
52	5-107592	MOTOINV. 115V CCSAUS	MOTOINV. 115V CCSAUS
53	4-121502	CAVO ALIM. CCSAUS L.3950mm	SUPPLY CABLE CCSAUS L.3950mm
54	4-121511	CAVO ALIM. CCSAUS L.3700mm	SUPPLY CABLE CCSAUS L.3700mm

PANZITTA SALES & SERVICE
72 George Avenue
Wilkes-Barre, PA 18705
570-822-6720 800-822-6720
www.panzittasales.com

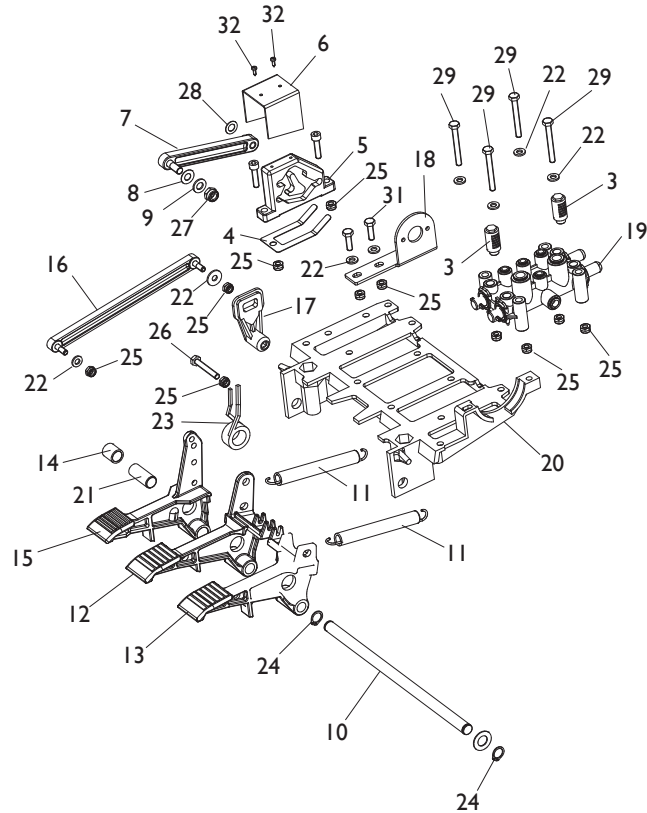
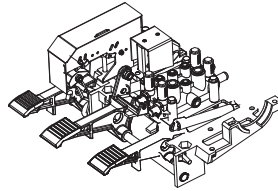
GRUPPO PEDALIERA PEDAL GROUP

***55** VERSIONE CCSAUS
CCSAUS VERSION

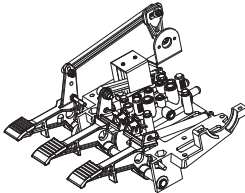
*** SOLO X CANADA
ONLY FOR CANADA**



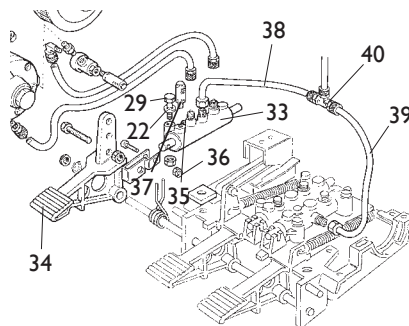
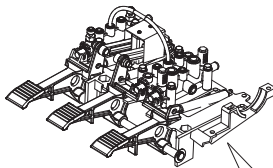
41 VERSIONE DV
2 SPEED VERSION



1 VERSIONE IV
1 SPEED VERSION



2 VERSIONE PNEUMATICA
PNEUMATIC VERSION

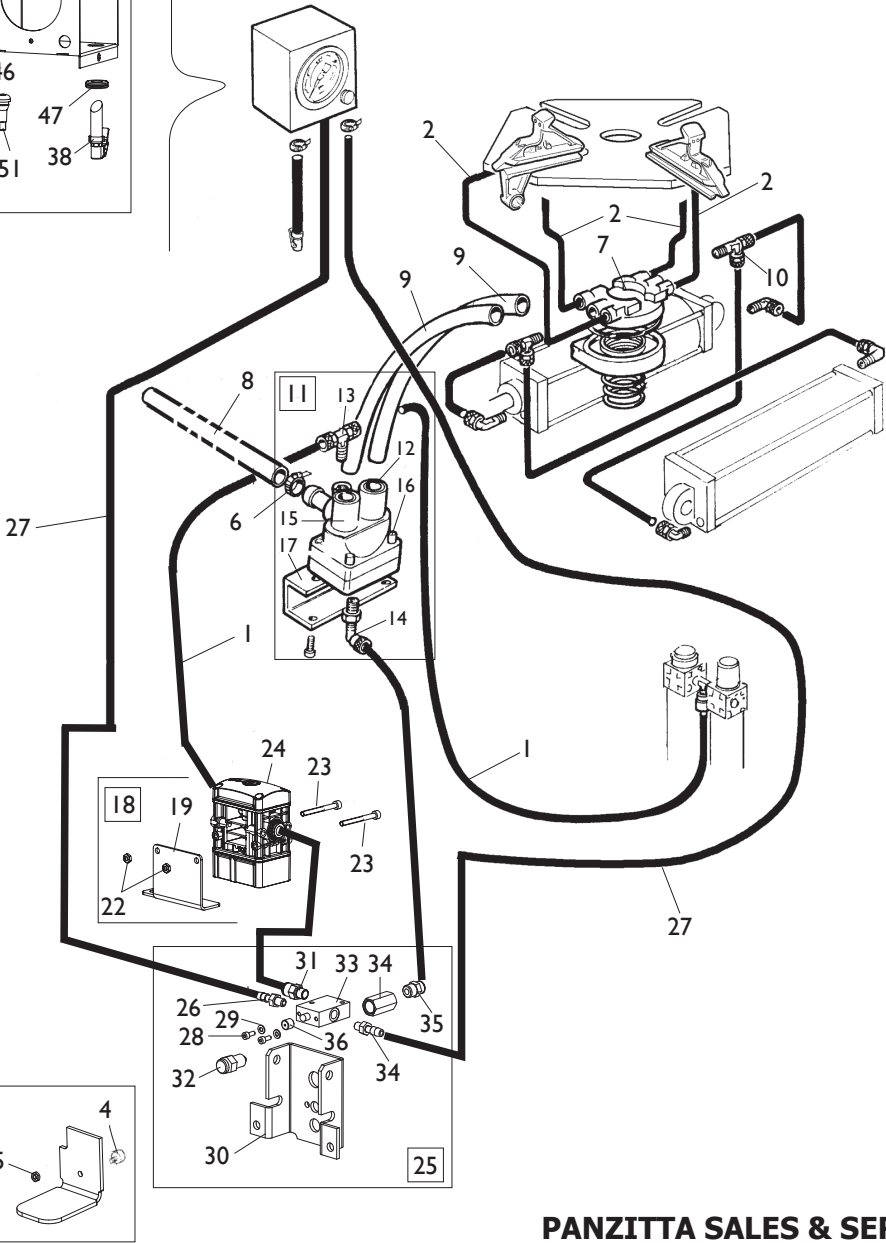
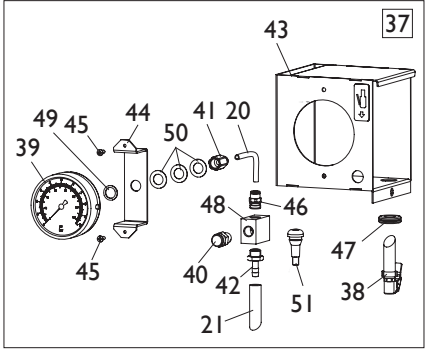


PANZITTA SALES & SERVICE
72 George Avenue
Wilkes-Barre, PA 18705
570-822-6720 800-822-6720
www.panzittasales.com

Ref.	Code	Descrizione	Description
1	5-106269	PEDALIERA I VELOCITA	PEDAL ASSEMBLY I SPEED
2	270526	PEDALIERA PNEUMATICA	PEDAL ASSEMBLY PNEUMATIC
3	3-00183	SILENZIATORE IN PLASTICA 1/8	PLASTIC SILENCER 1/8
4	325019	BALESTRA A FORCELLA	LEAF SPRING
5	425020	CAMMA DOPPIA	DOUBLE CAM
6	325018	CAVALLOTTO GUIDA BIELLE	U-BOLT
7	425014	BIELLA CAMMA	CAM ROD
8	2-02247	RONDELLA D.8,4X15	WASHER D.8,4X15
9	309358	RONDELLA D.8X16,5X0,5	WASHER D.8X16,5X0,5
10	325583	PERNO PEDALIERA	PEDAL PIN
11	410628	MOLLA D.14X2X105	SPRING D.14X2X105
12	325031	PEDALE AUTOCENTRANTE	TURNTABLE PEDAL
13	325032	PEDALE STALLONATORE	BEAD BRAKE PEDAL
14	325050	DISTANZIALE	SPACER
15	5-102714	PEDALE INVERTITORE	INVERTER PEDAL
16	429009	BIELLA	ROD
17	404283	LEVA INVERTITORE	INVERTER LEVER
18	334758	SUPPORTO INVERTITORE	INVERTER SUPPORT
19	5-102739	RUBINETTO DOPPIO	DOUBLE VALVE
20	524273	SUPPORTO COMANDI	COMMAND SUPPORT
21	452011	BOCCOLA D.12X14X33,5	BUSH D.12X14X33,5
22	2-00211	RONDELLA D.6	WASHER D.6
23	4-109664	MOLLA COMANDO INTERRUTORE	INVERTER SPRING
24	2-00025	SEEGER D.12	SEEGER D.12
25	2-01979	DADO ES.A. M6	AUTOLOCKING HEXAGON NUT M6
26	2-00366	VTE M6X40	HEXAGON HEAD SCREW M6X40
27	2-01137	DADO ES.A. M8	AUTOLOCKING HEXAGON NUT M8
28	2-00212	RONDELLA D.8	WASHER D.8
29	2-00411	VTE 1/2F M6X50	HEXAGON HEAD SCREW 1/2F M6X50
30	2-00312	VTCEI M6X25	HEXAGON SOCKET HEAD SCREW M6X25
31	2-00362	VTE M6X20	HEXAGON HEAD SCREW M6X20
32	2-01272	VATBIC D.2,9X9,5	SCREW D.2,9X9,5
33	5-102740	RUBINETTO SINGOLO	SINGLE VALVE
34	252030	PEDALE PNEUMATICO	PNEUMATIC PEDAL
35	331381	BIELLA	ROD
36	2-01018	DADO ES.A. M4	AUTOLOCKING HEXAGON NUT M4
37	2-00291	VTCEI M4X20	HEXAGON SOCKET HEAD SCREW M4X20
38	321200	TUBO RYLSAN 8X1 L.300mm	RYLSAN HOSE 8X1 L.220mm
39	332142	TUBO RYLSAN 8X1 L.160mm	RYLSAN HOSE 8X1 L.120mm
40	3-00112	RACCPN-T T8/6	T-FITTING T8/6
41	5-101614	PEDALIERA 2 VELOCITA	PEDAL ASSEMBLY 2 SPEED
42	2-00309	VTCEI M6X16	HEX. SOCKET HEAD SCREW M6X16
43	2-00364	VTE M6X30	HEXAGON HEAD SCREW M6X30
44	4-105045	STAFFA ANTIROTAZIONE	ANTIROTATING PLATE
45	461535	BLOCCHETTO MICRO	MICRO BLOCK
46	4-105044	SUPPORTO MICRO	MICRO SUPPORT
47	2-00578	VTCIC M3X30	SCREW M3X30
48	2-00576	VTCIC M3X20	SCREW M3X20
49	440874	MICRO 16A 250V	MICRO 16A 250V
50	2-71547	ROSETTA D.3	WASHER D.3
51	2-00208	RONDELLA D.3	WASHER D.3
52	2-00124	DADO ES. M3	HEXAGON NUT M3
53	4-102402	COPERCHIO	COVER
54	2-00155	DADO ES. M6	HEXAGON NUT M6
*55	5-107620	PEDALIERA CCSAUS	PEDAL ASSEMBLY CCSAUS
56	4-101693	CAVO 4X0,5 L.400mm	CABLE 4X0,5 L.400mm
*57	4-121504	CAVO CCSAUS L.400mm	CABLE CCSAUS L.400mm

PANZITTA SALES & SERVICE
72 George Avenue
Wilkes-Barre, PA 18705
570-822-6720 800-822-6720
www.panzittasales.com

GRUPPO GONFIAGGIO T.I. T.I. INFLATION GROUP



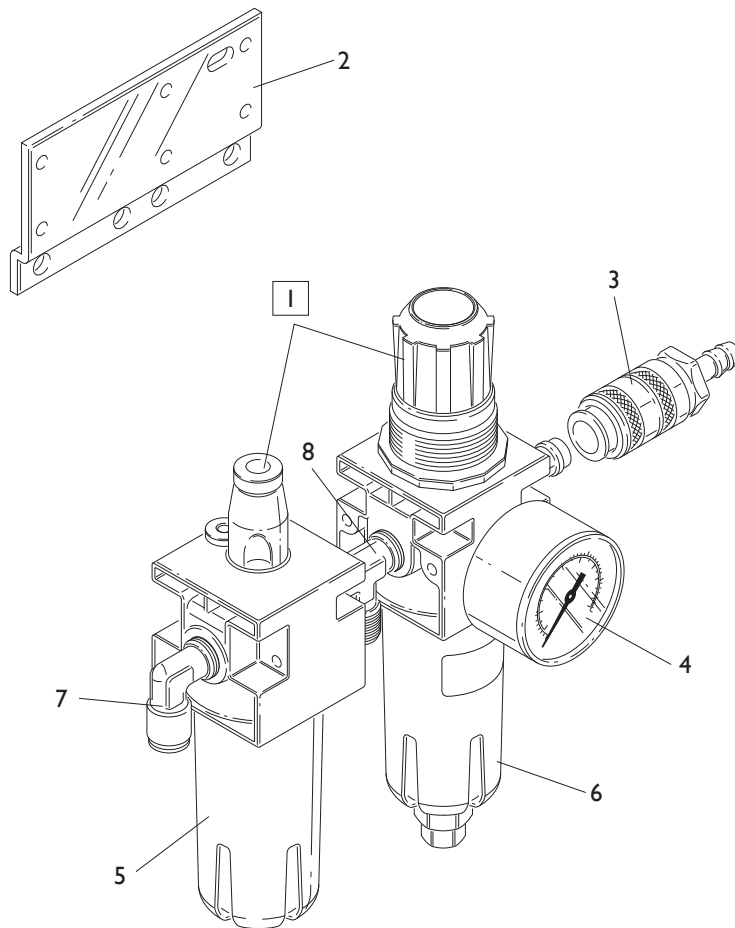
PANZITTA SALES & SERVICE
72 George Avenue
Wilkes-Barre, PA 18705
570-822-6720 800-822-6720
www.panzittasales.com

Ref.	Code	Descrizione	Description
1	1-01683	TUBO RYLSAN D8X1	RYLSAN HOSE D.8X1
2	1-04223	TUBO POLIUR.ARIA D.10X1,25	HOSE D.10X1,25
3	252625	PEDALE GONFIAGGIO	INFLATION PEDAL
4	452624	ANTIVIBRANTE M/F 20X11 M6X9	VIBRATION DAMPING 20X11 M6X9
5	2-00150	DADO ES. M6	HEXAGON NUT M6
6	403751	FASCETTA D.8-16	FASTEN D.8-16
7	241841	RACCORDO GIREVOLE T.I.	ROTATING JOINT T.I.
8	346266	TUBO IN GOMMA 25X37 18ATM. L.630mm	RUBBER HOSE 25X37 L.630mm
9	342289	TUBO RYLSAN TRASP. 14X1 L.650mm	RYLSAN HOSE 14X1 L.650mm
10	3-00117	RACCPN-TL G1/8C T6/4	TL-FITTING G1/8C T6/4
11	242290	VALVOLA DI GONFIAGGIO T.I.	T.I. INFLATION VALVE
12	3-02945	CARTUCCIA	CARTRIGE
13	4-402799	RACCPN-TO G1/4C T8	T-FITTING G1/4C T8
14	4-402798	RACCPN-LO G1/4C T8	L-FITTING G1/4C T8
15	243020	VALVOLA	VALVE
16	2-94006	VTCEI 1/2F M6X40	HEXAGON SOCKET HEAD SCREW 1/2F M6X40
17	342286	STAFFA PORTA VALVOLA	VALVE BRAKET
18	5-106703	LIMITATORE GONFIAGGIO CPL.	VALVE ASSEMBLY
19	4-119680	SUPPORTO VALVOLA	VALVE SUPPORT
20	315268	TUBO RYLSAN 6X1 L.260mm	RYLSAN HOSE 6X1 L.260mm
21	354410	TUBO 18 ATM. D.6-14 L.3150mm	RUBBR HOSE D.6-14 L.3150mm
22	2-02804	DADO ES. M4	HEXAGON NUT M4
23	2-00851	VTCEI M4X40	HEXAGON SOCKET HEAD SCREW M4X40
24	3-03313	LIMITATORE DI GONFIAGGIO	VALVE
25	5-105676	GRUPPO DI GONFIAGGIO CPL.	INFLATION ASSEMBLY
26	3-00004	RACCPN ATTACCO RESCA 7 G1/8	RESCA FITTING G1/8
27	352614	TUBO IN GOMMA L.1900mm	RUBBER HOSE L.1900mm
28	2-00289	VTCEI M4X10	HEXAGON SOCKET HEAD SCREW M4X10
29	2-00209	RONDELLA D.4	WASHER D.4
30	352968	SUPPORTO VALVOLA	VALVE SUPPORT
31	3-00464	RACCPN-D G1/8G T8	D-FITTING G1/8G T8
32	235463	VALVOLA SGONFIAGGIO	DEFLATION VALVE
33	3-00365	VALVOLA 3/2 1/8	VALVE 3/2 1/8
34	338576	DISTANZIALE 17X32	SPACER 17X32
35	3-00460	RACCPN-D G1/4 T6	D-FITTING G1/4 T6
36	352619	CAPPELLOTTO DISTANZIALE	SPACER
37	252600	SCATOLA GONFIAGGIO BAR/PSI	BAR/PSI INFLATION BOX ASSEMBLY
38	262971	TUBO GONFIAGGIO	INFLATION HOSE
39	3-00489	MANOMETRO BAR/PSI	BAR/PSI PRESSURE GAUGE
40	235463	VALVOLA SGONFIAGGIO	DEFLATION VALVE
41	3-00261	RACCPN-D G1/4F T6	D-FITTING G1/4F T6
42	3-00007	RACCPN ATTACCO RESCA 7 G1/4	RESCA FITTING G1/4
43	234171	SCATOLA MANOMETRO	GAUGE BOX
44	353537	SUPPORTO MANOMETRO	PRESSURE GAUGE SUPPORT
45	2-71485	VTABIC D.3,9X13	SCREW D.3,9X13
46	3-00460	RACCPN-D G1/4 T6	D-FITTING G1/4 T6
47	454412	PASSACAVO D.14X22X1,5	RUBBER D.14X22X1,5
48	352586	BLOCCHETTO	BLOCK
49	3-00449	RONDELLA 1/4	WASHER 1/4
50	301109	RONDELLA D.13X22X0,6	WASHER D.13X22X0,6
51	3-01568	VALVOLA TUBLESS	TUBLESS VALVE

PANZITTA SALES & SERVICE
72 George Avenue
Wilkes-Barre, PA 18705
570-822-6720 800-822-6720
www.panzittasales.com

GRUPPO FILTRO FILTER GROUP

PANZITTA SALES & SERVICE
72 George Avenue
Wilkes-Barre, PA 18705
570-822-6720 800-822-6720
www.panzittasales.com

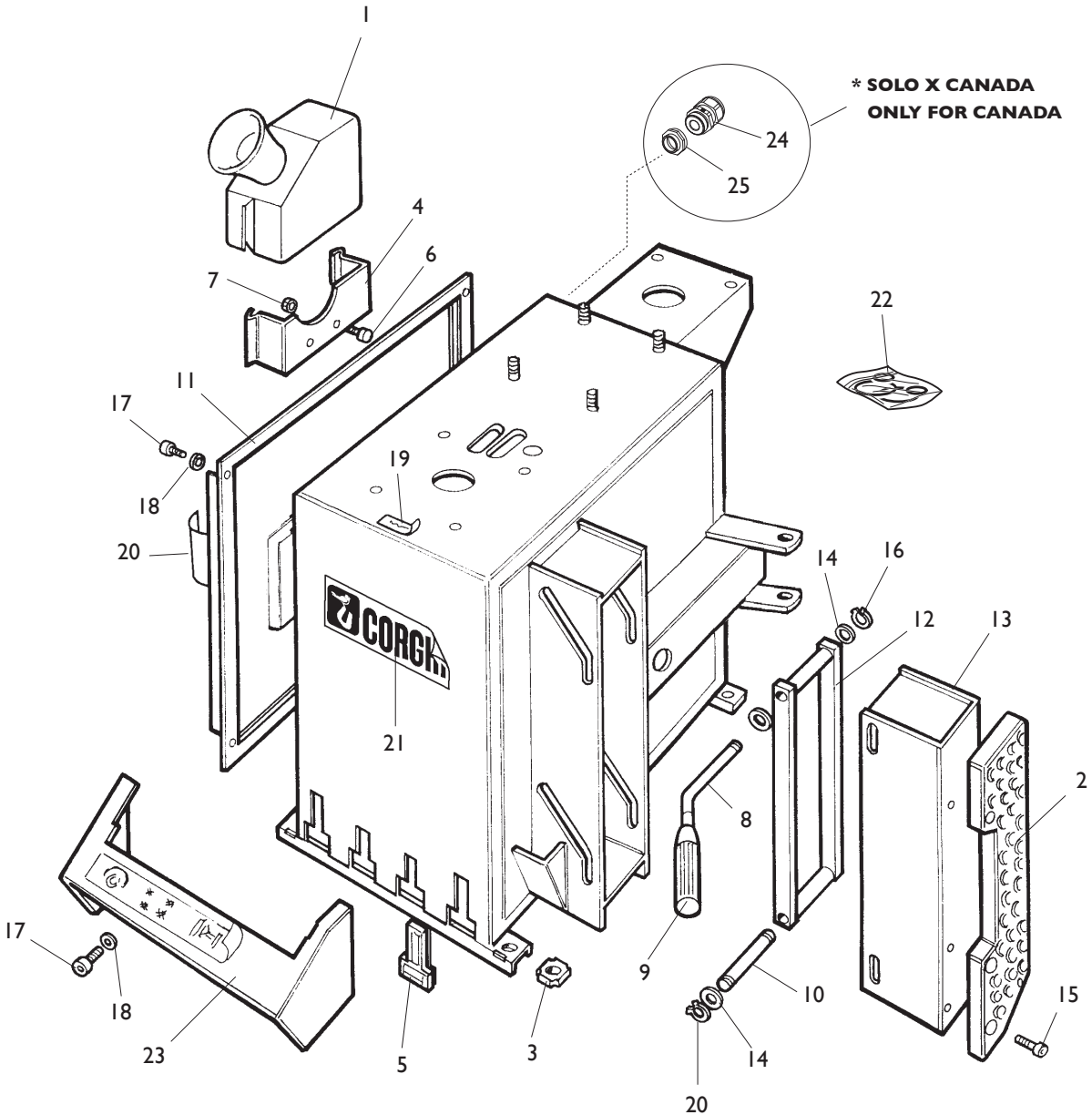


**TORNA AL COMPLESSIVO
RETURNS TO OVERALL**

Rif. Ref.	Codice Code	Descrizione	Description
1	456522	FILTRO CPL (MANOM. ESCLUSO)	FILTER ASSEMBLY (GAUGE NOT INCLUDED)
2	335695	STAFFA FILTRO	FILTER BRACKET
3	3-00257	RACCORDO RAPIDO	FITTING
4	3-00488	MANOMETRO D.40 1/8 0-12 BAR/PSI	PRESSURE GAUGE D.40 1/8 0-12 BAR/PSI
5	457511	BICCHIERE LUBRIFICATORE	LUBRICATOR BOWL
6	457512	BICCHIERE FILTRO	FILTER BOWL
7	3-00221	RACCPN-L G1/4C T8	L-FITTING G1/4C T8
8	3-00001	RACCPN-T G1/4 M/M	T-FITTING G1/4

PANZITTA SALES & SERVICE
72 George Avenue
Wilkes-Barre, PA 18705
570-822-6720 800-822-6720
www.panzittasales.com

GRUPPO CASSONE FRAME GROUP



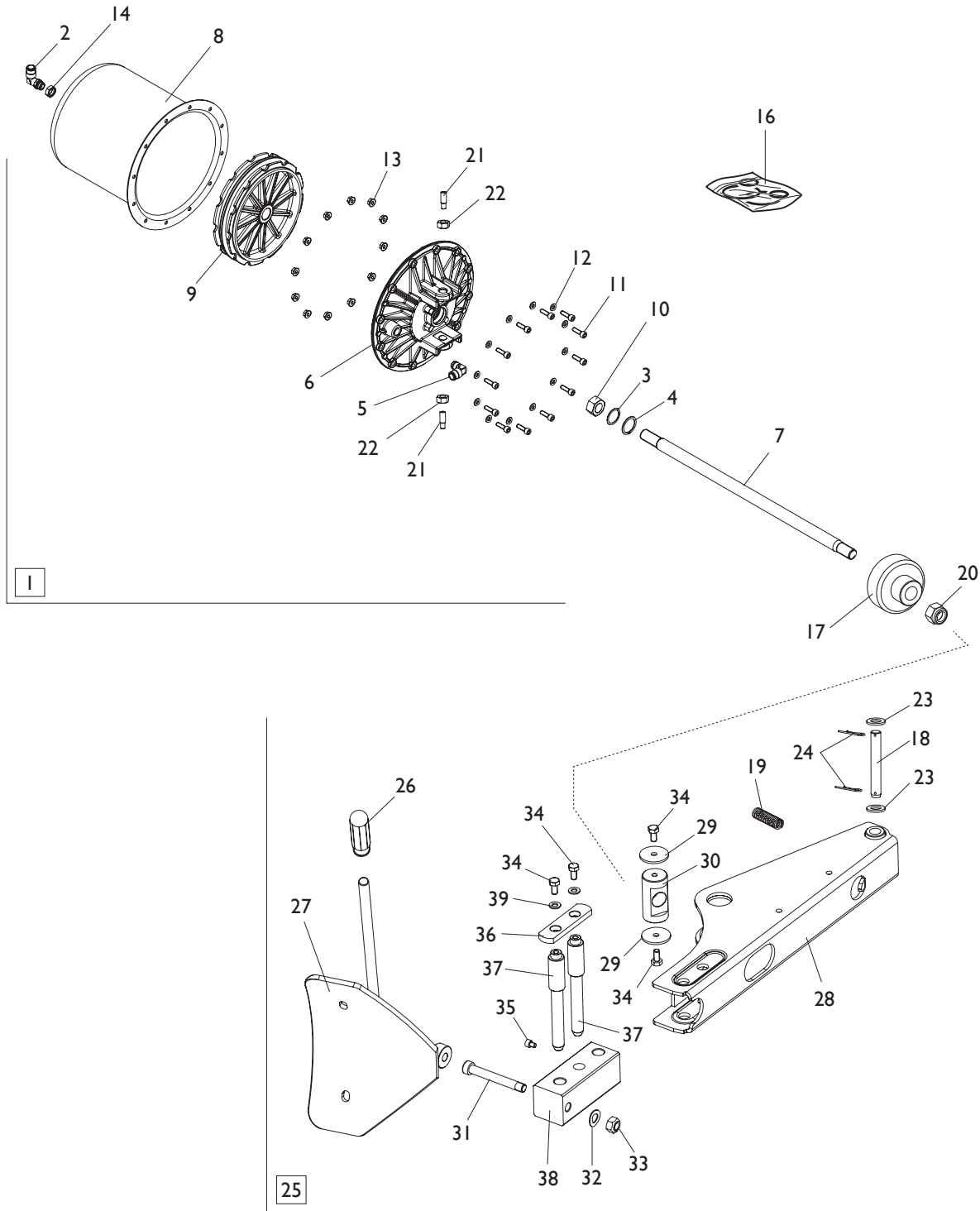
PANZITTA SALES & SERVICE
72 George Avenue
Wilkes-Barre, PA 18705
570-822-6720 800-822-6720
www.panzittasales.com

Rif. Ref.	Codice Code	Descrizione	Description
1	423405	CONTENITORE	LUBE BUCKET
2	436199	APPOGGIO CERCHIO LUNGO	RIM SUPPORT
3	422019	PIEDE	FOOT
4	315522	SUPPORTO CONTENITORE GRASSO	SUPPORT
5	429006	TAPPO	CAP
6	2-01223	VTE M6X16	HEXAGON HEAD SCREW M6X16
7	2-00127	DADO M6	HEXAGON NUT M6
8	339456	PERNO MANIGLIA	HANDLE PIN
9	425219	MANOPOLA	HANDLE
10	339046	PERNO CORTO	SHORT PIN
11	341176	COFANO	COVER
12	239050	BIELLA	ROD
13	238911	PROLUNGA APPOGGIO	EXTENTION
14	2-01045	RONDELLA D.16	WASHER D.16
15	2-01885	VTSPEI M6X25	CSK SCREW SOCKET M6X25
16	2-00047	COPIGLIA D.3X30	PLUG D.3X30
17	2-00310	VTCEI M6X20	HEXAGON SOCKET HEAD SCREW M6X20
18	2-00211	RONDELLA D.6	WASHER D.6
19	418135	ADESIVO ROTAZIONE	ROTATION LABEL
20	461236	ADESIVO CORGHI	CORGHI LABEL
21	460384	ADESIVO CORGHI	CORGHI LABEL
22	5-104791	KIT ADESIVI A9824TI	LABEL KIT A9824TI
23	429976	COVER	FRONT COVER
*24	3-03548	PRESSAVAVO PG21	CABLE GLAND
*25	3-03547	RACC-DRITTO-M-F-PG16-21	FITTING-M-F-PG16-21

*** Solo per Canada
Only for Canada**

PANZITTA SALES & SERVICE
72 George Avenue
Wilkes-Barre, PA 18705
570-822-6720 800-822-6720
www.panzittasales.com

GRUPPO STALLONATORE BEAD BREAKING GROUP

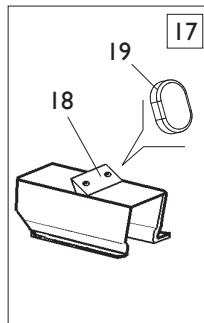
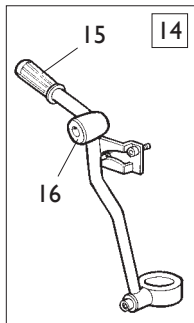
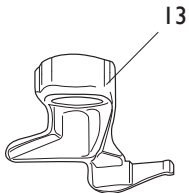
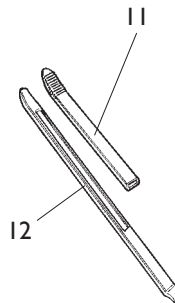
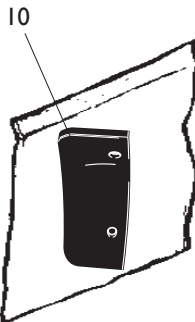
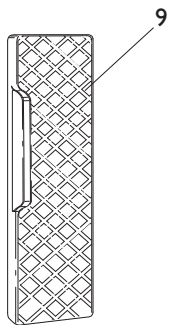
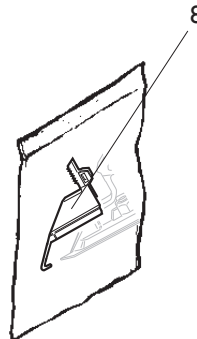
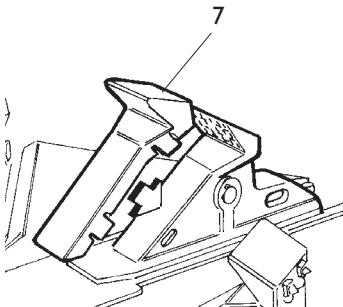
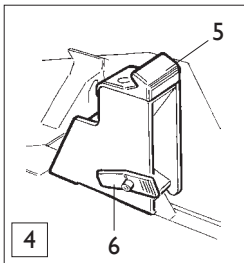
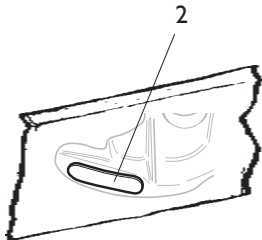
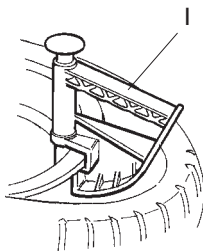


PANZITTA SALES & SERVICE
72 George Avenue
Wilkes-Barre, PA 18705
570-822-6720 800-822-6720
www.panzittasales.com

Rif. Ref.	Codice Code	Descrizione	Description
1	5-100484	CILINDRO STALLONATORE	BEAD BREAKER CYLINDER
2	3-00517	RACCPN-LO GI/4GO T10	LO-FITTING GI/4GO T10
3	325561	RONDELLA D.24X29,8X0,5	WASHER D.24X29,8X0,5
4	434031	ANELLO D.30	SEEGER D.30
5	3-00222	RACCPN-L GI/4C T10	L-FITTING GI/4C T10
6	351905	FLANGIA D.186	FLANGE D.186
7	4-101628	STELO D.20X515	STEM D.20X515
8	330190	CILINDRO D.186	CYLINDER D.186
9	337848	PISTONE D.186X44	PISTON D.186X44
10	2-00989	DADO ES. M18X1,5	HEXAGON NUT M18X1,5
11	2-00310	VTCEI M6X20	HEXAGON SOCKET HEAD SCREW M6X20
12	2-00211	RONDELLA D.6	WASHER D.6
13	436779	DADO ES.A. M6	AUTOLOCKING HEXAGON NUT M6
14	333524	DADO 1/4	NUT 1/4
16	238212	KIT GUARNIZIONI CILINDRO D.186	SEAL KIT CYLINDER D.186
17	239061	TAMPONE DISTANZIALE	SPACER
18	323903	FULCRO BRACCIO STALLONATORE	FULCRUM PIN
19	4-104313	MOLLA TRAZIONE D.23X3X133	SPRING D.23X3X133
20	2-01242	DADO ES.A. M18X1,5	AUTOLOCKING HEXAGON NUT M18X1,5
21	431864	VITE SPECIALE FISS. CILINDRO M14X42	SPECIAL SCREW M14X42
22	2-00992	DADO ES. M14	HEXAGON NUT M14
23	2-01045	RONDELLA D.16	WASHER D.16
24	435055	COPIGLIA D.2X40	PLUG D.2X40
25	245743	BRACCIO STALLONATORE	BEAD BREAKER ASSEMBLY
26	425219	MANOPOLA	KNOB
27	224000	PALETTA	BEAD BREAKER
28	245701	BRACCIO	ARM
29	323901	RONDELLA D. 8,25X40X3	WASHER D. 8,25X40X3
30	339045	PERNO ORIENTABILE	PIN
31	324008	VITE SPECIALE M12X90	SPECIAL SCREW M12X90
32	2-02249	RONDELLA ELASTICA 13X24	ELASTIC WASHER 13X24
33	422255	DADO AUTOFR. TRISTOP M12	TRISTOP AUTOLOCKING NUT M12
34	2-00372	VTE M8X12	HEXAGON HEAD SCREW M8X12
35	2-01006	VTCEI M6X8	HEXAGON SOCKET HEAD SCREW M6X8
36	345616	FISSAGGIO PUNTE	LOCKING PEAK RETAINER
37	345617	PUNTA DI BLOCCAGGIO	PEAK RETAINER
38	345618	BLOCCHETTO PROLUNGA	EXTENTION BLOCK
39	2-01299	RONDELLA D.9X24X2	WASHER D.9X24X2

PANZITTA SALES & SERVICE
72 George Avenue
Wilkes-Barre, PA 18705
570-822-6720 800-822-6720
www.panzittasales.com

ACCESSORI ACCESSORIES



**TORNA AL COMPLESSIVO
RETURNS TO OVERALL**

Rif. Ref.	Codice Code	Descrizione	Description
1	801435685	PINZA PREMITALLONE	PLIERS MOUNTING TOOL
2	8-11100107	KIT 5 PASTIGLIE TORRETTA	PROTECTION HEAD KIT (5 PZ)
3	8-11100106	KIT 10 INSERTI TORRETTA	PROTECTION HEAD KIT (10 PZ)
4	801258650	KIT 4 ATTACCHI MOTO 15-23"	MOTO ADAPTOR KIT 15-23" (4 PZ)
5	435202	CUNEO BLOCCAGGIO MOTO 15-23"	PLASTIC WEDGE 15-23"
6	426746	CRICCHETTO DI BLOCCAGGIO	LOCKING
7	8-11100108	KIT 12 PROTEZIONI INTERNE	INTERNAL PROTECTION KIT (12 PZ)
8	8-11100109	KIT 12 PROTEZIONI ESTERNE	EXTERNAL PROTECTION KIT (12 PZ)
9	801458663	PROTEZIONE APOGGIO CERCHIO	RIM PROTECTION
10	8-11100105	KIT 6 PROTEZIONI PALETTA	BEAD BREAKER PROTECTION KIT (6 PZ)
11	8-11100104	KIT 6 PROTEZIONI LEVA	LEVER PROTECTION KIT (6 PZ)
12	4-108275	LEVA	LEVER
13	801252083	KIT TORRETTA 8"	HEAD KIT 8"
14	801242834	LEVA PREMITALLONE	LEVER
15	425219	MANOPOLA	KNOB
16	440600	TESTINA	HEAD
17	801263517	KIT 4 ATTACCHI MOTO 8-24"	MOTO ADAPTOR KIT 8-24"
18	318916	CUNEO BLOCCAGGIO MOTO 8-24"	PLASTIC WEDGE 8-24"
19	413163	INSERTO CUNEO 8-24"	WEDGE INSERT 8-24"

PANZITTA SALES & SERVICE
72 George Avenue
Wilkes-Barre, PA 18705
570-822-6720 800-822-6720
www.panzittasales.com