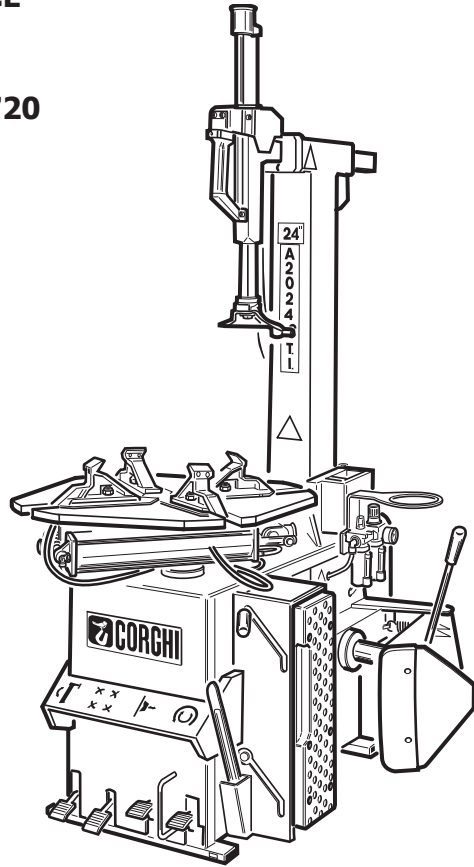


# A2024 TI

Pezzi di ricambio / Spare parts list

**PANZITTA SALES & SERVICE**  
72 George Avenue  
Wilkes-Barre, PA 18705  
570-822-6720 800-822-6720  
[www.panzittasales.com](http://www.panzittasales.com)



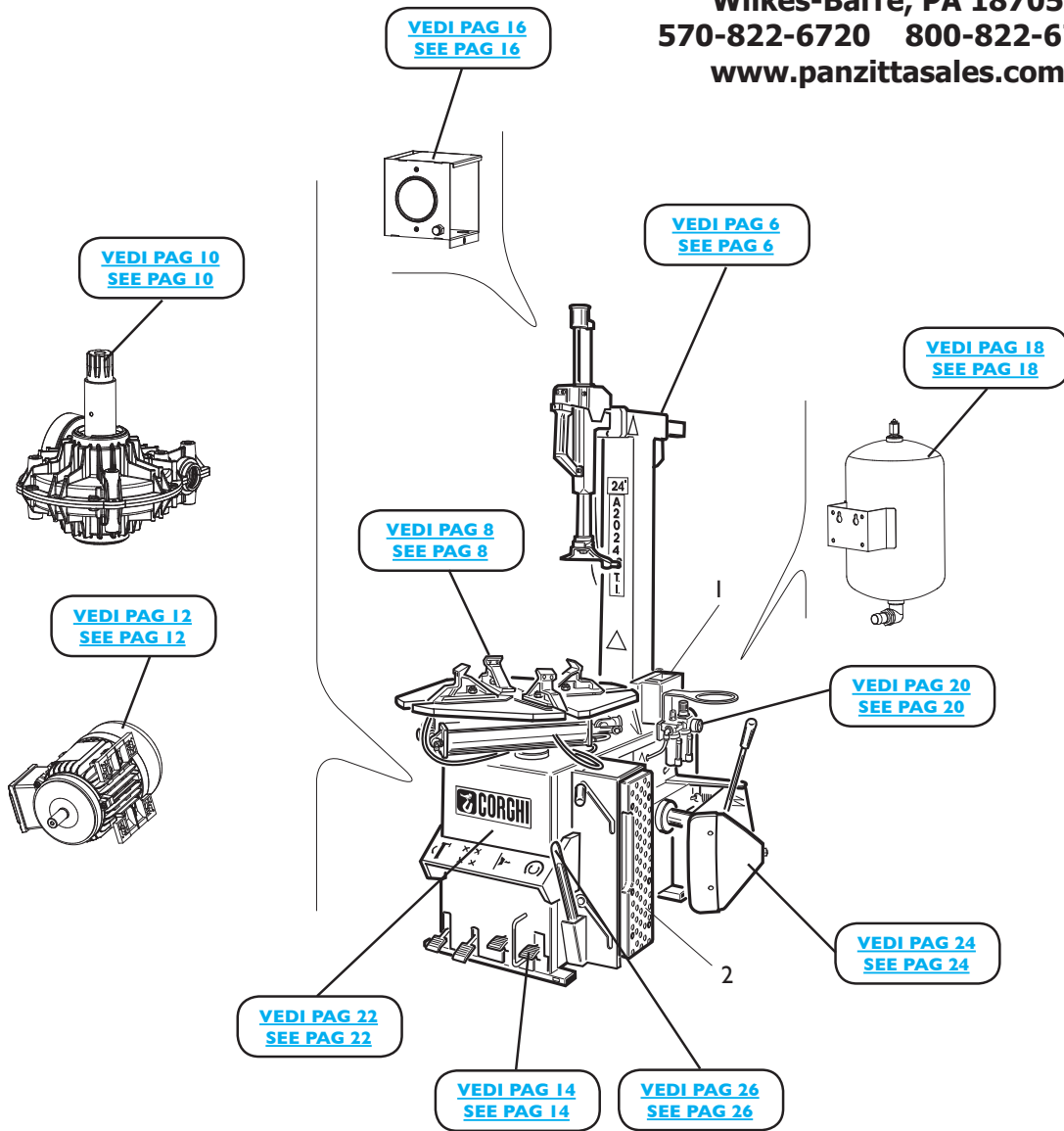
Code: 4-103961J

Production date: 04 / 2017



# COMPRESSIVO A2024 TI A2024 TI OVERALL

PANZITTA SALES & SERVICE  
72 George Avenue  
Wilkes-Barre, PA 18705  
570-822-6720 800-822-6720  
www.panzittasales.com

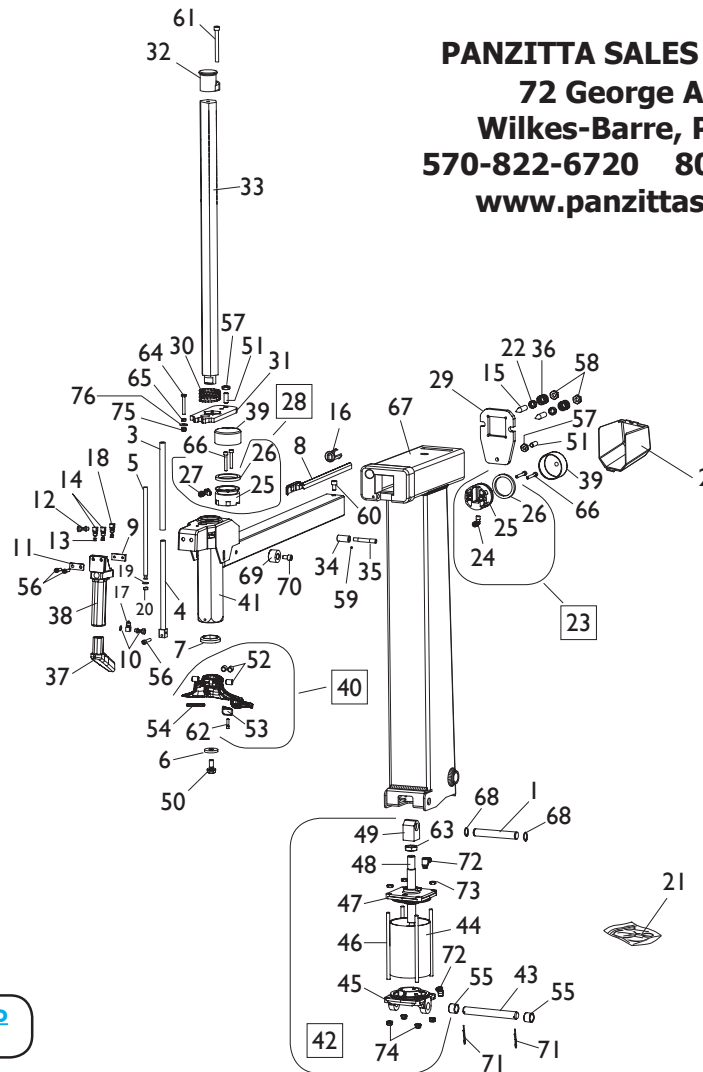


Rif. Ref.	Codice Code	Descrizione	Description
1	4-109098	PROTEZIONE PALO	ARM COVER
2	436199	APPOGGIO CERCHIO	RIM SUPPORT

**PANZITTA SALES & SERVICE**  
**72 George Avenue**  
**Wilkes-Barre, PA 18705**  
**570-822-6720 800-822-6720**  
**[www.panzittasales.com](http://www.panzittasales.com)**

# GRUPPO BRACCIO OPERANTE OPERATING ARM GROUP

**PANZITTA SALES & SERVICE**  
**72 George Avenue**  
**Wilkes-Barre, PA 18705**  
**570-822-6720 800-822-6720**  
**www.panzittasales.com**

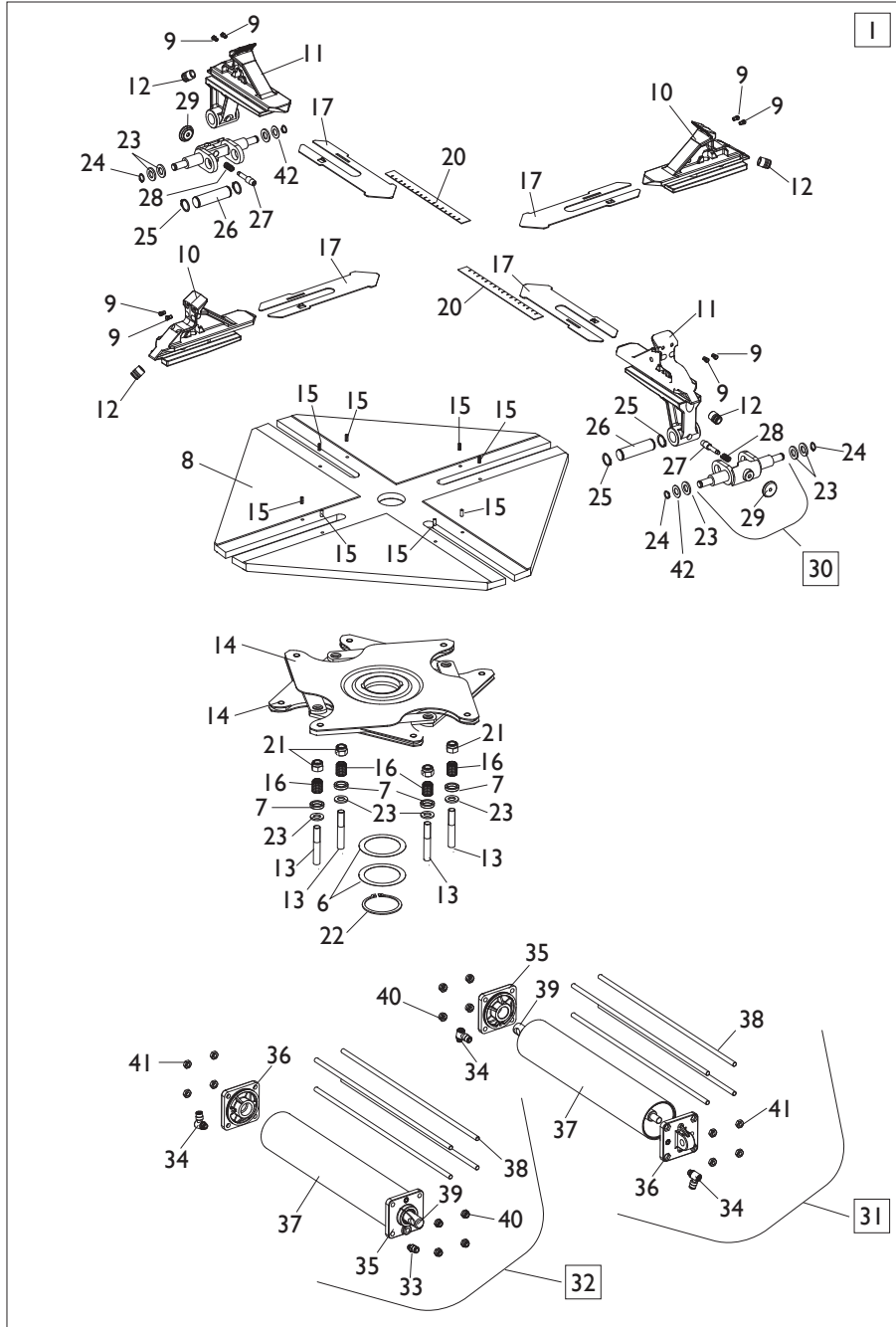
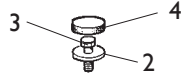


**TORNA AL COMPLESSIVO  
RETURNS TO OVERALL**

Ref.	Code	Descrizione	Description
1	326667	PERNO SUP. CIL. RIBALTO PALO	CYLINDER UPPER PIN
2	426773	PROTEZIONE CILINDRO D.60	CYLINDER D.60 COVER
3	338858	TUBO SUPERIORE D.17	UPPER PIPE D.17
4	238856	SUPPORTO CON TUBO	SUPPORT
5	338855	STELO D.12X295	STEM D.12X295
6	350194	RONDELLA D.12X33X5	WASHER D.12X33X5
7	428681	ANELLO AMMORTIZZATORE	DAMPING RING
8	426763	GUIDA TUBI	PIPE GUIDE
9	327284	PIASTRINA POSTERIORE	REAR PLATE
10	5-102718	GRUPPO RACCORDO	FITTING ASSEMBLY
11	327283	PIASTRINA ANTERIORE	FRONT PLATE
12	3-00070	VITE FORATA M5	SCREW M5
13	3-00452	RONDELLA IN NYLON M5	NYLON WASHER M5
14	3-00079	RACCORDO M5 T.6/4	FITTING M5
15	341836	VITE SPECIALE M12X50	SPECIAL SCREW M12X50
16	431061	BOCCOLA DI GUIDA	GUIDE BUSHING
17	4-133344	STROZZATORE D. 0,65	THROTTLER D. 0,65
18	4-133345	STROZZATORE D. 1,25	THROTTLER D. 1,25

Ref.	Code	Descrizione	Description
19	427299	GUARNIZIONE D.14X5,8X4,5	SEAL D.14X5,8X4,5
20	432090	ANELLO DI GUIDA	GUIDE RING
21	241484	KIT GUARNIZIONI CIL. RIB. PALO	CYLINDER SEAL KIT
22	339803	BOCCOLA D.12X18X8	BUSHING D.12X18X8
23	239805	ASSIEME PISTONE BLOCC. POST. D.60X38	PISTON REAR LOCKING D.60X38
24	3-00106	RACCPN-L G1/8C T6/4	L-FITTING G1/8C
25	443077	PISTONE D.60X38	PISTON D.60X38
26	443078	GUARNIZIONE D.60X47,6X6,35	SEAL D.60X47,6X6,35
27	3-00119	RACCPN-T G1/8C T6/4	T-FITTING G1/8C
28	239806	ASSIEME PIST. BLOCC.VERTICALE D.60X38	PISTON VERTICAL LOCKING D.60X38
29	336142	PIASTRA BLOCCAGGIO ORIZZONTALE	ORIZONTAL LOCKING PLATE
30	4-130853	MOLLA COMPRESS. D.45X52,3X3,5	COMPRESSOR SPRING D.45X52,3X3,5
31	340429	PIASTRA BLOCCAGGIO VERTICALE	VERTICAL LOCKING PLATE
32	440428	POMOLO	KNOB
33	340430	BRACCIO VERTICALE	VERTICAL ARM
34	339782	RULLO	ROLLER
35	339786	PERNO ECCENTRICO	ECCENTRIC PIN
36	439787	MOLLA COMPRESSIONE D.22,6X2,3X22	COMPRESSOR SPRING D.22,6X2,3X22
37	440692	PROLUNGA MANIGLIA	EXTENTION HANDLE
38	231744	RUBINETTO CON MANIGLIA	HANDLE
39	326537	CILINDRO D.60	CYLINDER D.60
40	258458	TORRETTA COMPLETA	HEAD ASSEMBLY
41	4-101588	BRACCIO ORIZZONTALE 10-26"	ORIZONTAL ARM 10-26"
42	4-100825	CILINDRO RIBALTO PALO D.95	CYLINDER ASSEMBLY D.95
43	4-101715	PERNO FULCRO CILINDRO	CYLINDER FULCRUM PIN
44	4-115967	CAMICIA D.95X130	LINER D.95X130
45	4-115956	FLANGIA POSTERIORE D.95	REAR FLANGE D.95
46	4-115997	TIRANTE D.7X167	TIE-ROD D.7X167
47	5-105114	FLNAGIA ANTERIORE D.95	FRONT FLANGE D.95
48	4-115953	STELO D.20X185	STEM D.20X185
49	4-115954	SUPPORTO ATTACCO CILINDRO	CYLINDER ATTACK
50	350197	VITE SPECIALE FISS.TORRETTA M10X20	SPECIAL SCREW M10X20
51	2-01291	VSTEI M10X25	CSK SCREW SOCKET M10X25
52	2-71357	VSTEI M12X16	CSK SCREW SOCKET M12X16
53	4-104729	INSERTO GIALLO	YELLOW INSERT
54	4-104730	INSERTO GIALLO	YELLOW INSERT
55	4-101716	TUBO DISTANZIALE D.22	SPACER D.22
56	2-00310	VTCEI M6X20	HEXAGON SOCKET HEAD SCREW M6X20
57	2-00157	DADO ES. M10	HEXAGON NUT M10
58	2-00158	DADO ES. M12	HEXAGON NUT M12
59	2-00542	VSTEI M6X6	CSK SCREW SOCKET M6X6
60	2-01295	VTCEI M8X14	HEX. SOCKET HEAD SCREW M8X14
61	2-00909	VTCEI M6X35	HEXAGON SOCKET HEAD SCREW M6X20
62	342051	PERNO TORRETTA	PIN
63	2-00656	DADO ES. M18X1,5	HEXAGON NUT M18X1,5
64	2-00367	VTE M6X45	HEXAGON HEAD SCREW M6X45
65	2-00150	DADO ES. M6	HEXAGON NUT M6
66	2-00314	VTCEI M6X40	HEXAGON SOCKET HEAD SCREW M6X40
67	4-100799	PALO 8-24"	ARM 8-24"
68	2-00821	SEEGER D.18	SEEGER D.18
69	383372	FERMO SCORREVOLE BR.OPERANTE	OPERATING ARM STOP
70	2-01098	VTCEI M8X22	HEXAGON SOCKET HEAD SCREW M8X22
71	435055	MOLLA A SPILLO D.2X10	CLIP D.2X10
72	3-00217	RACCPN-L-G1/8-CT6	L-FITTING-G1/8-CT6
73	2-00156	DADO ES. M8	HEXAGON NUT M8
74	2-01137	DADO ES.A. M8	AUTOLOCKING HEX. NUT M8
75	2-01257	DADO ES.A. M6	AUTOLOCKING HEX. NUT M6
76	2-00679	RONDELLA D.6,6X18X1,6	WASHER D.6,6X18X1,6

# GR. AUTOCENTRANTE 10-24" TURNTABLE GROUP 10-24"

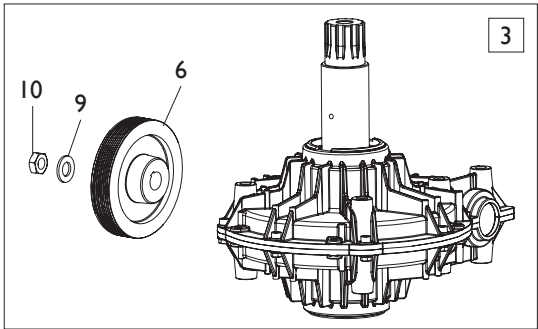
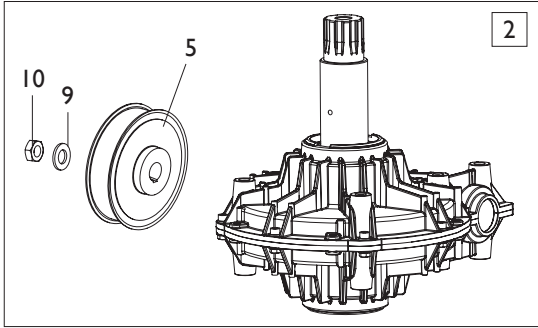
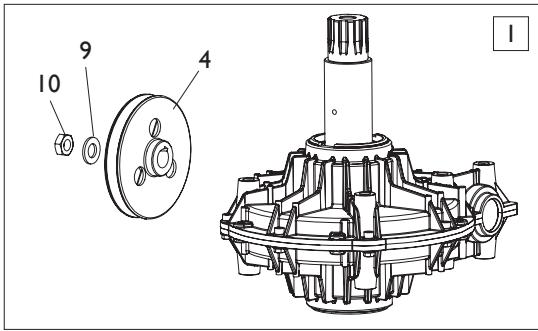
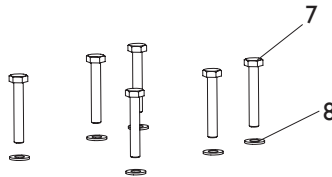


**PANZITTA SALES & SERVICE**  
**72 George Avenue**  
**Wilkes-Barre, PA 18705**  
**570-822-6720 800-822-6720**  
**www.panzittasales.com**

Rif. Ref.	Codice Code	Descrizione	Description
1	5-100461	GRUPPO AUTOCENTRANTE T.I. <b>10-24"</b>	TURNTABLE T.I.ASSEMBLY <b>10-24"</b>
2	323363	RONDELLA D.16,5X48X10	WASHER D.16,5X48X10
3	2-01216	VTE M16X1,5X35	HEXAGON HEAD SCREW M16X1,5X35
4	426514	TAPPO TONDO	ROUND CAP
5	238548	KIT GUARNIZIONI CILINDRI	CYLINDERS SEAL KIT
6	455082	RONDELLA D.65X85X0,4	WASHER D.65X85X0,4
7	437964	RONDELLA D.18,5X25X5	WASHER D.18,5X25X5
8	4-101438	PIATTO AUTOCENTRANTE <b>10-24"</b>	TURNTABLE PLATE <b>10-24"</b>
9	339146	PUNTA DI BLOCCAGGIO	LOCKING PEAK
10	5-100485	APP. SCORREVOLE TRAINATO T.I.	RIM SUPPORT T.I.
11	5-100488	APP. SCORREVOLE TRAINANTE T.I.	RIM SUPPORT T.I.
12	441100	RACCORDO T.10	FITTING T.10
13	2-02199	VTE 1/2F M12X1,25X75	HEXAGON HEAD SCREW 1/2F M12X1,25X75
14	4-101651	FLANGIA COMANDO BIELLE	FLANGE CONTROL RODS
15	2-01059	SPINA D.5X12	PLUG D.5X12
16	353803	BOCCOLA D.12X18X22,2	BUSHING D.12X18X22,2
17	4-101441	SLITTA COPRIASOLA <b>10-24"</b>	PLATE <b>10-24"</b>
20	4-101456	RIGHELLO MISURA POLLICI <b>10-24"</b>	RULER MEASUREMENT INCHES <b>10-24"</b>
21	2-02200	DADO ES.A. M12X1,25	AUTOLOCKING HEXAGON NUT M12X1,25
22	2-01283	ANELLO D.65	SEEGER D.65
23	2-00214	RONDELLA D.12	WASHER D.12
24	2-00025	SEEGER D.12	SEEGER D.12
25	2-71587	SEEGER D.20	SEEGER D.20
26	4-101442	PERNO	PIN
27	4-101444	INNESTO	CONNECTION
28	4-101422	MOLLA D.1,2X10X20	SPRING D.1,2X10X20
29	4-109834	POMOLO	KNOB
30	5-103522	KIT MANOVELLE + POMOLI (2PZ)	KNOB KIT (2 PIECES)
31	5-100455	CILINDRO DX D.70X304,5 <b>10-24"</b>	RIGHT CYLINDER D.70X304,5 <b>10-24"</b>
32	5-100454	CILINDRO SX D.70X304,5 <b>10-24"</b>	LEFT CYLINDER D.70X304,5 <b>10-24"</b>
33	3-02045	RACCPN-D- G1/8 T6 + O-RING	D-FITTING G1/8 WITH O-RING
34	3-02044	RACCPN-LO- G1/8 T6 + O-RING	LO-FITTING G1/8 WITH O-RING
35	5-105111	FLANGIA ANTERIORE D.70	FRONT FLANGE D.70
36	4-115948	FLANGIA POSTERIORE D.70	REAR FLANGE D.70
37	4-115951	CAMICIA D.70X338,5 <b>10-24"</b>	LINER D.70X338,5 <b>10-24"</b>
38	4-115949	TIRANTE D.7X368 M8 <b>10-24"</b>	TIE ROD D.7X368 M8 <b>10-24"</b>
39	4-115959	STELO D.20X437	STEM D.20X437
40	2-01137	DADO ES.A. M8	AUTOLOCKING HEXAGON NUT M8
41	2-00156	DADO ES. M8	HEXAGON NUT M8
42	428636	ROND D.12.3 x 22.8 x 1	WASHER D.12.3 x 22.8 x 1

**PANZITTA SALES & SERVICE**  
**72 George Avenue**  
**Wilkes-Barre, PA 18705**  
**570-822-6720 800-822-6720**  
**www.panzittasales.com**

# GRUPPO RIDUTTORE GEARBOX GROUP



**PANZITTA SALES & SERVICE**  
72 George Avenue  
Wilkes-Barre, PA 18705  
570-822-6720 800-822-6720  
[www.panzittasales.com](http://www.panzittasales.com)

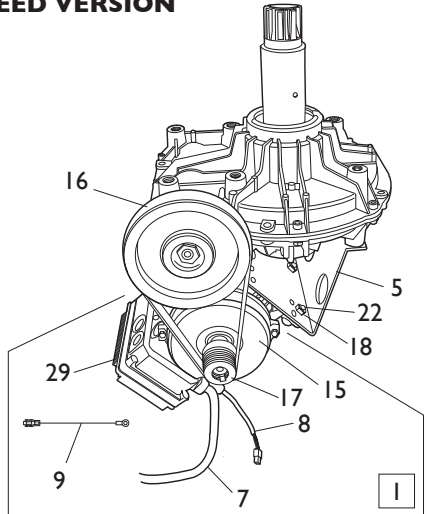


Rif. Ref.	Codice Code	Descrizione	Description
1	5-102647	RIDUTTORE <b>1 VELOCITA</b>	<b>1 SPEED</b> GEARBOX
2	239555	RIDUTTORE <b>PNEUMATICO</b>	<b>PNEUMATIC</b> GEARBOX
3	5-102648	RIDUTTORE <b>2 VELOCITA</b>	<b>2 SPEED</b> GEARBOX
4	314344	PULEGGIA <b>1 VELOCITA</b>	<b>1 SPEED</b> PULLEY
5	319073	PULEGGIA <b>PNEUMATICA</b>	<b>PNEUMATIC</b> PULLEY
6	339870	PULEGGIA <b>2 VELOCITA</b>	<b>2 SPEED</b> PULLEY
7	2-01046	VTE M10X55	HEXAGON HEAD SCREW M10X55
8	2-00213	RONDELLA D.10	WASHER D.10
9	2-00215	RONDELLA D.14	WASHER D.14
10	2-00941	DADO ES. M14	HEXAGON NUT M14

**PANZITTA SALES & SERVICE**  
**72 George Avenue**  
**Wilkes-Barre, PA 18705**  
**570-822-6720 800-822-6720**  
**[www.panzittasales.com](http://www.panzittasales.com)**

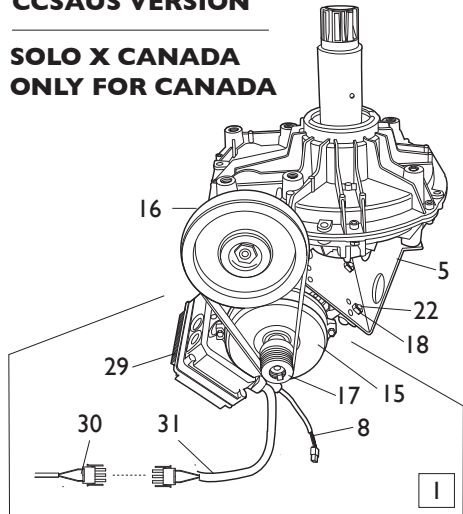
# IMPIANTO ELETTRICO ELECTRICAL SYSTEM

**VERSIONE DV  
2 SPEED VERSION**

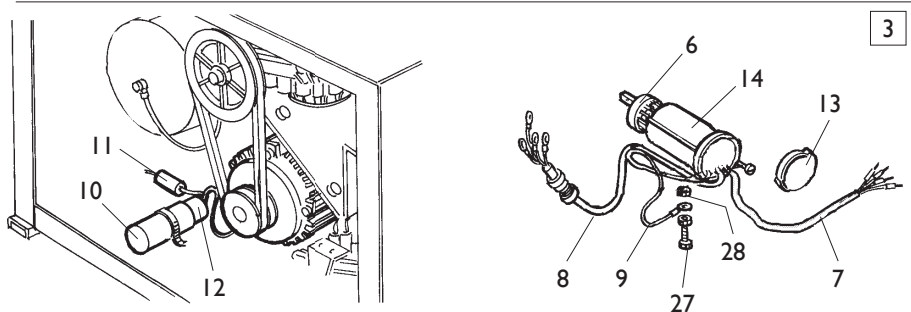
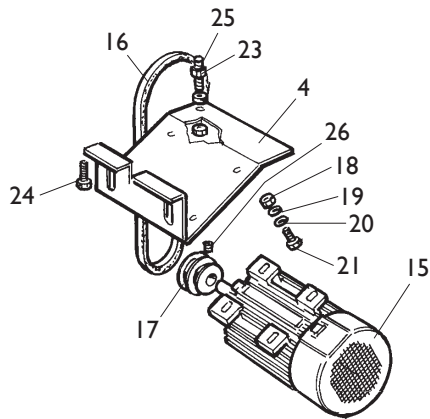


**VERSIONE CCSAUS  
CCSAUS VERSION**

**SOLO X CANADA  
ONLY FOR CANADA**



**VERSIONE Iph  
Iph VERSION**



**PANZITTA SALES & SERVICE**  
**72 George Avenue**  
**Wilkes-Barre, PA 18705**  
**570-822-6720 800-822-6720**  
**www.panzittasales.com**

Rif. Ref.	Codice Code	Descrizione	Description
1	5-104986	MOTOINVERTER DV <b>230V/1/50-60HZ</b>	MOTOINVERTER 2 SPEED <b>230V/1/50-60HZ</b>
1	5-104995	MOTOINVERTER DV <b>115V/1/50-60HZ</b>	MOTOINVERTER 2 SPEED <b>115V/1/50-60HZ</b>
*1	5-107592	MOTOINVERTER <b>115V CCSAUS</b>	MOTOINVERTER <b>115V CCSAUS</b>
3	5-103989	IMPIANTO ELETTRICO <b>115V Iph</b>	ELECTRICAL SYSTEM <b>115V Iph</b>
4	334768	CULLA MOTORE	MOTOR SUPPORT
5	4-109965	CULLA MOTOINVERTER DV	MOTOINVERTER SUPPORT
6	5-102742	INVERTITORE <b>Iph</b>	INVERTER <b>Iph</b>
7	447801	CAVO RETE <b>115V Iph</b>	SUPPLY CABLE <b>115V Iph</b>
7	4-111586	CAVO RETE <b>MOTOINVERTER</b>	SUPPLY CABLE <b>MOTOINVERTER</b>
8	249590	CAVO MOTORE <b>115V Iph</b>	MOTOR CABLE <b>115V Iph</b>
8	4-109895	CAVO COMANDI <b>MOTOINVERTER</b>	COMMAND CABLE <b>MOTOINVERTER</b>
*8	4-121510	CAVO COMANDI <b>CCSAUS</b>	COMMAND CABLE <b>CCSAUS</b>
9	249601	CAVO DI MASSA L.350mm <b>115V Iph</b>	U-BOLT L.350mm <b>115V Iph</b>
9	4-101659	CAVO DI MASSA L.400mm <b>MOTOINV.</b>	U-BOLT L.400mm <b>MOTOINVERTER</b>
10	430750	CAPPELLOTTO D.45 <b>115V Iph</b>	CAP NUT <b>115V Iph</b>
11	430770	RESISTENZA 330K OHM	RESISTANCE 330K OHM
12	4-112706	CONDENSATORE 50mf <b>115V Iph</b>	CAPACITOR 50mf <b>115V Iph</b>
13	430991	COPERCHIO PROTEZIONE	LID
14	432065	PROTEZIONE INVERTITORE	INVERTER COVER
15	4-112454	MOTORE <b>115V Iph</b>	MOTOR <b>115V Iph</b>
15	4-113412	MOTOINVERTER (NO SK) <b>230/115V</b>	MOTOINVERTER (NO P.C. BOARD) <b>230/115V</b>
*15	4-121508	MOTOINVERTER (NO SK) <b>CCSAUS</b>	MOTOINVERTER (NO P.C. BOARD) <b>CCSAUS</b>
16	3-00573	CINGHIA MOTORE <b>2V</b>	MOTOR BELT <b>2 SPEED</b>
16	3-10068	CINGHIA MOTORE <b>Iph 50hz</b>	MOTOR BELT <b>Iph 50hz</b>
16	3-00555	CINGHIA MOTORE <b>Iph 60hz</b>	MOTOR BELT <b>Iph 60hz</b>
17	331067	PULEGGIA MOTORE <b>Iph</b>	MOTOR PULLEY <b>Iph</b>
17	4-102397	PULEGGIA <b>MOTOINVERTER</b>	PULLEY FOR <b>MOTOINVERTER</b>
18	421349	DADO ES.A. M8	AUTOLOCKING HEXAGON NUT M8
19	339208	RONDELLA D.8,5X22X4	WASHER D.8,5X22X4
20	2-00212	RONDELLA D.8	WASHER D.8
21	2-00374	VTE M8X25	HEXAGON HEAD SCREW M8X25
22	2-00375	VTE M8X30	HEXAGON HEAD SCREW M8X30
23	2-00152	DADO ES. M10	HEXAGON NUT M10
24	2-00328	VTCEI M10X20	HEXAGON SOCKET HEAD SCREW M10X20
25	455920	VSTEI SPECIALE M10X60	SPECIAL SCREW M10X60
26	2-01091	VSTEI M6X5	CSK SCREW SOCKET M6X5
27	2-00605	VITE M4X10	SCREW M4X10
28	2-00143	DADO ES. M4	HEXAGON NUT M4
29	4-115396	SK MOTOINVERTER <b>230V</b>	MOTOINVERTER P.C. BOARD <b>230V</b>
29	4-113414	SK MOTOINVERTER <b>115V</b>	MOTOINVERTER P.C. BOARD <b>115V</b>
*29	4-121512	SK MOTOINVERTER <b>CCSAUS</b>	MOTOINVERTER P.C. BOARD <b>CCSAUS</b>
*30	4-121502	CAVO ALIM. <b>CCSAUS</b> L.3950mm	SUPPLY CABLE <b>CCSAUS</b> L.3950mm
*31	4-121511	CAVO ALIM. <b>CCSAUS</b> L.3700mm	SUPPLY CABLE <b>CCSAUS</b> L.3700mm

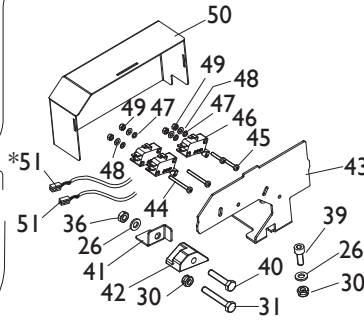
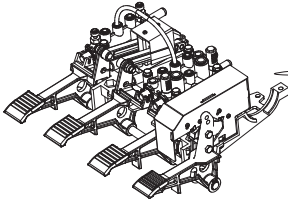
**\* Solo per Canada  
Only for Canada**

**PANZITTA SALES & SERVICE  
72 George Avenue  
Wilkes-Barre, PA 18705  
570-822-6720 800-822-6720  
www.panzittasales.com**

# GRUPPO PEDALIERA PEDAL GROUP

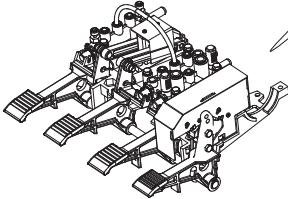
**3** VERSIONE CCSAUS  
CCSAUS VERSION

**\* SOLO X CANADA  
ONLY FOR CANADA**

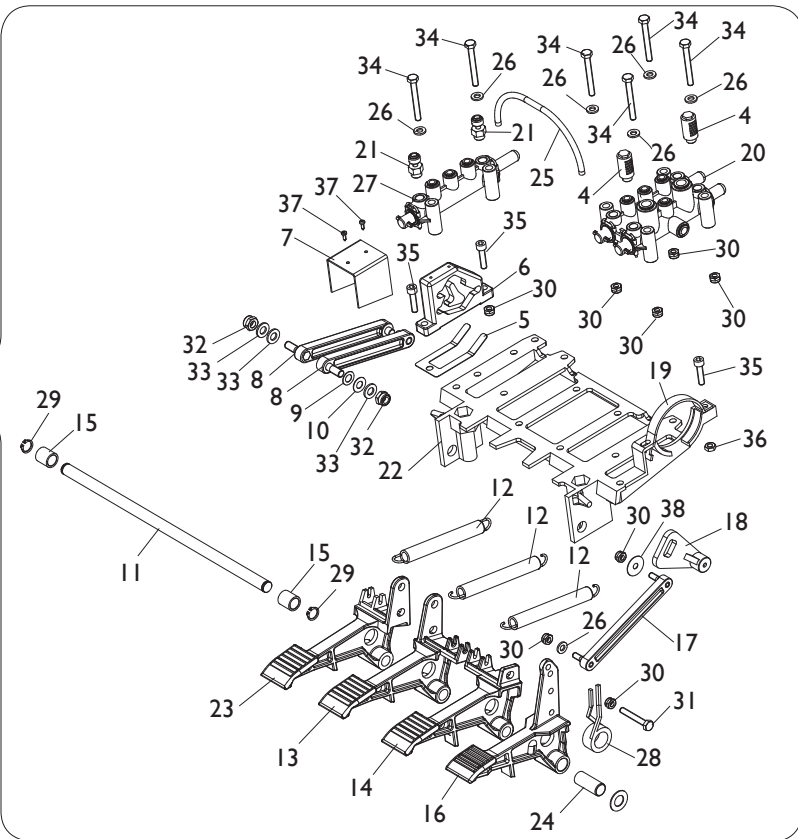
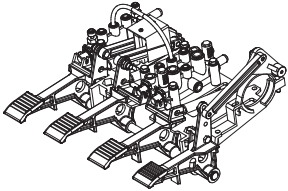


**PANZITTA SALES & SERVICE**  
72 George Avenue  
Wilkes-Barre, PA 18705  
570-822-6720 800-822-6720  
[www.panzittasales.com](http://www.panzittasales.com)

**1** VERSIONE DV  
2 SPEED VERSION



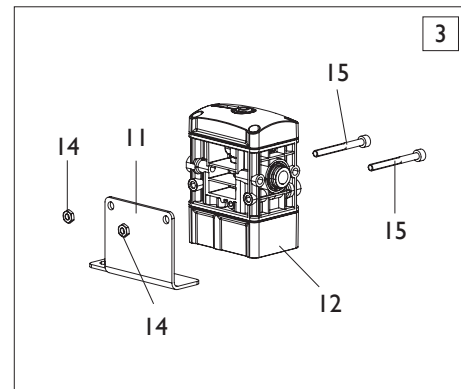
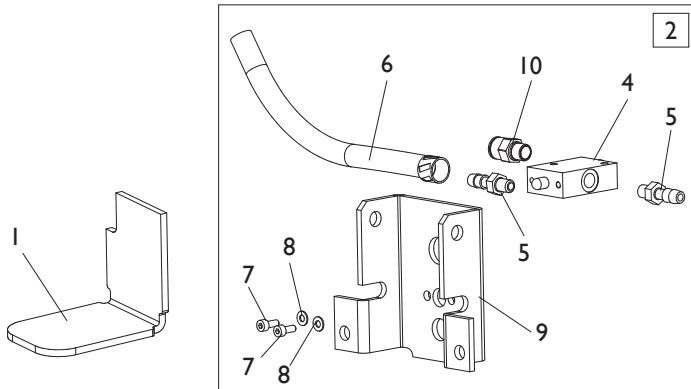
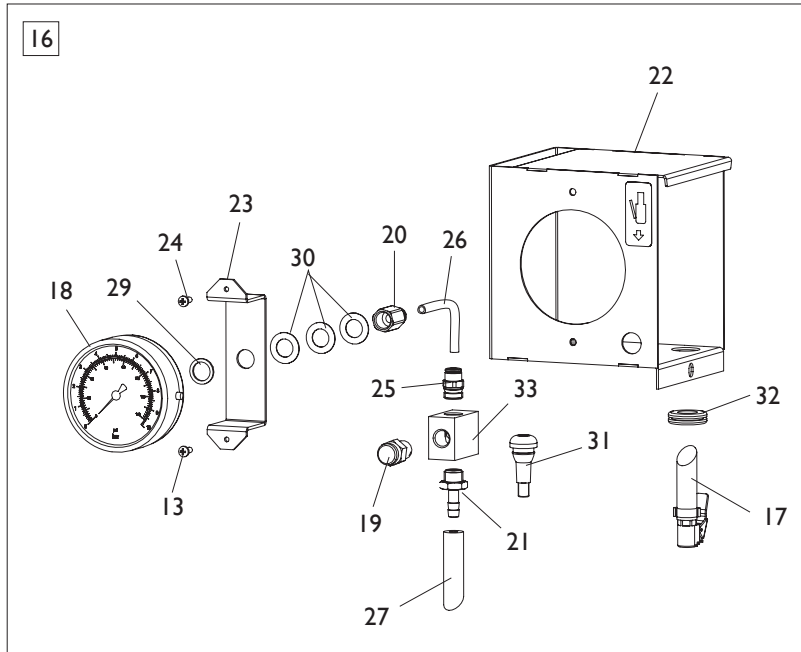
**2** VERSIONE IV  
1 SPEED VERSION



**TORNA AL COMPLESSIVO  
RETURNS TO OVERALL**

Rif. Ref.	Codice Code	Descrizione	Description
1	5-106268	PEDALIERA <b>2 VELOCITA</b>	<b>2 SPEED</b> PEDAL ASSEMBLY
2	5-105188	PEDALIERA <b>1 VELOCITA</b>	<b>1 SPEED</b> PEDAL ASSEMBLY
*3	5-107616	PEDALIERA <b>CCSAUS</b>	PEDAL ASSEMBLY <b>CCSAUS</b>
4	3-00183	SILENZIATORE IN PLASTICA 1/8	PLASTIC SILENCER 1/8
5	325019	BALESTRA A FORCELLA	LEAF SPRING
6	425020	CAMMA DOPPIA	DOUBLE CAM
7	325018	CAVALLOTTO GUIDA BIELLE	U-BOLT
8	425014	BIELLA CAMMA	CAM ROD
9	2-02247	RONDELLA D.8,4X15	WASHER D.8,4X15
10	309358	RONDELLA D.8X16,5X0,5	WASHER D.8X16,5X0,5
11	325005	PERNO PEDALIERA	PEDAL PIN
12	410628	MOLLA D.14X2X105	SPRING D.14X2X105
13	325031	PEDALE AUTOCENTRANTE	TURNTABLE PEDAL
14	325032	PEDALE STALLONATORE	BEAD BRAKE PEDAL
15	325050	DISTANZIALE	SPACER
16	5-102714	PEDALE INVERTITORE	INVERTER PEDAL
17	425010	BIELLA	ROD
18	425027	LEVA INVERTITORE	INVERTER LEVER
19	332495	CAVALLOTTO BLOCC. INVERTITORE	INVERTER LOCKING
20	5-102739	RUBINETTO DOPPIO	DOUBLE VALVE
21	433675	REGOLATORE 1/8	REGULATOR 1/8
22	524273	SUPPORTO COMANDI	COMMAND SUPPORT
23	325030	PEDALE ALZAPALO	TILTING PEDAL
24	452011	BOCCOLA D.12X14X33,5	BUSH D.12X14X33,5
25	315268	TUBO D.6X1 L.260mm	RYLSAN HOSE D.6X1 L.260mm
26	2-00211	RONDELLA D.6	WASHER D.6
27	257137	RUBINETTO SINGOLO	SINGLE VALVE
28	4-109664	MOLLA COMANDO INTERRUTTORE	INVERTER SPRING
29	2-00025	SEEGER D.12	SEEGER D.12
30	2-01979	DADO ES.A. M6	AUTOLOCKING HEXAGON NUT M6
31	2-00366	VTE M6X40	HEXAGON HEAD SCREW M6X40
32	2-01137	DADO ES.A. M8	AUTOLOCKING HEXAGON NUT M8
33	2-00212	RONDELLA D.8	WASHER D.8
34	2-00411	VTE 1/2F M6X50	HEXAGON HEAD SCREW 1/2F M6X50
35	2-00312	VTCEI M6X25	HEXAGON SOCKET HEAD SCREW M6X25
36	2-00155	DADO ES. M6	HEXAGON NUT M6
37	2-01272	VATBIC D.2,9X9,5	SCREW D.2,9X9,5
38	315286	RONDELLA D.6X22X0,5	WASHER D.6X22X0,5
39	2-00309	VTCEI M6X16	HEXAGON SOCKET HEAD SCREW M6X16
40	2-00364	VTE M6X30	HEXAGON HEAD SCREW M6X30
41	4-102403	STAFFA ANTIROTAZIONE	ANTIROTATING PLATE
42	461535	BLOCCHETTO MICRO	MICRO BLOCK
43	4-102401	SUPPORTO MICRO	MICRO SUPPORT
44	2-00578	VTCIC M3X30	SCREW M3X30
45	2-00576	VTCIC M3X20	SCREW M3X20
46	440874	MICRO 16A 250V	MICRO 16A 250V
47	2-71547	ROSETTA D.3	WASHER D.3
48	2-00208	RONDELLA D.3	WASHER D.3
49	2-00124	DADO ES. M3	HEXAGON NUT M3
50	4-102402	COPERCHIO	COVER
51	4-101693	CAVO 4X0,5 L.400mm	CABLE 4X0,5 L.400mm
*51	4-121504	CAVO <b>CCSAUS</b> L.400mm	CABLE <b>CCSAUS</b> L.400mm

# GRUPPO GONFIAGGIO INFLATION GROUP

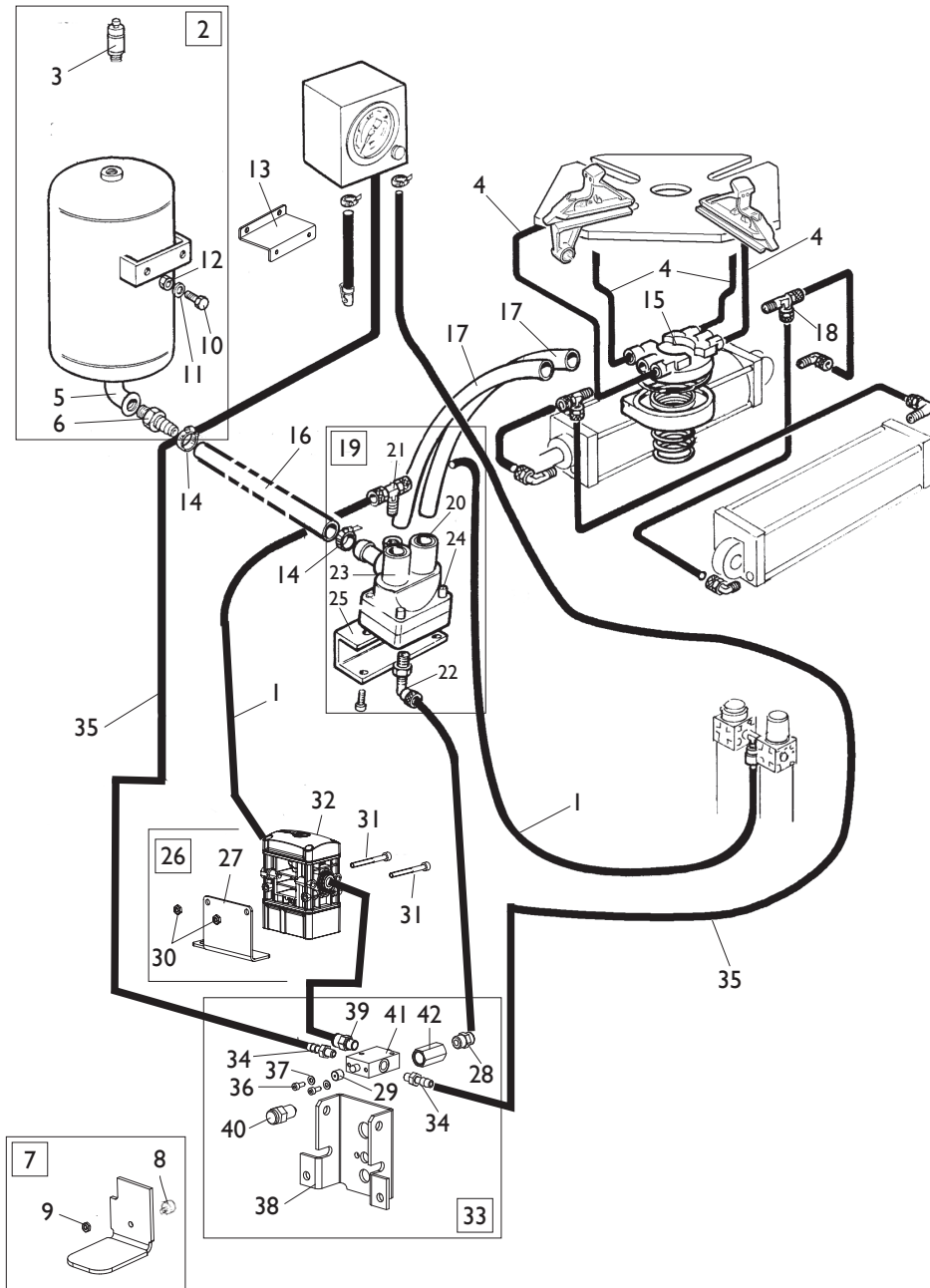


**PANZITTA SALES & SERVICE**  
**72 George Avenue**  
**Wilkes-Barre, PA 18705**  
**570-822-6720 800-822-6720**  
**www.panzittasales.com**

Rif. Ref.	Codice Code	Descrizione	Description
1	234771	PEDALE DI GONFIAGGIO	INFLATION PEDAL
2	5-105673	GRUPPO DI GONFIAGGIO CPL.	INFLATION ASSEMBLY
3	5-106703	LIMITATORE GONFIAGGIO CPL.	VALVE ASSEMBLY
4	3-00365	VALVOLA 3/2 1/8	VALVE 3/2 1/8
5	3-00004	RACCPN ATTACCO RESCA 7 G1/8	RESCA FITTING G1/8
6	352614	TUBO IN GOMMA L.1900mm	RUBBER HOSE L.1900mm
7	2-00289	VTCEI M4X10	HEXAGON SOCKET HEAD SCREW M4X10
8	2-00209	RONDELLA D.4	WASHER D.4
9	352968	SUPPORTO VALVOLA	VALVE SUPPORT
10	3-00464	RACCPN-D G1/8G T8	D-FITTING G1/8G T8
11	4-119680	SUPPORTO VALVOLA	VALVE SUPPORT
12	3-03313	LIMITATORE DI GONFIAGGIO	VALVE
13	352586	BLOCCHETTO	BLOCK
14	2-02804	DADO ES. M4	HEXAGON NUT M4
15	2-00851	VTCEI M4X40	HEXAGON SOCKET HEAD SCREW M4X40
16	252599	SCATOLA GONFIAGGIO <b>BAR/PSI</b>	<b>BAR/PSI</b> INFLATION BOX ASSEMBLY
16	259565	SCATOLA GONFIAGGIO <b>KPA</b>	<b>KPA</b> INFLATION BOX ASSEMBLY
17	262971	TUBO GONFIAGGIO	INFLATION HOSE
18	3-00490	MANOMETRO <b>BAR/PSI</b>	<b>BAR/PSI</b> PRESSURE GAUGE
18	3-00493	MANOMETRO <b>KPA</b>	<b>KPA</b> PRESSURE GAUGE
19	235463	VALVOLA SGONFIAGGIO	DEFLATION VALVE
20	3-00261	RACCPN-D G1/4F T6	D-FITTING G1/4F T6
21	3-00007	RACCPN ATTACCO RESCA 7 G1/4	RESCA FITTING G1/4
22	234171	SCATOLA MANOMETRO	GAUGE BOX
23	353537	SUPPORTO MANOMETRO	PRESSURE GAUGE SUPPORT
24	2-71485	VTABIC D.3,9X13	SCREW D.3,9X13
25	3-00460	RACCPN-D G1/4 T6	D-FITTING G1/4 T6
26	315268	TUBO RYLSAN 6X1 L.260mm	RYLSAN HOSE 6X1 L.260mm
27	354410	TUBO 18 ATM. D.6-14 L.3150mm	RUBBR HOSE D.6-14 L.3150mm
28	340775	SUPPORTO SCATOLA GONFIAGGIO	INFLATION BOX SUPPORT
29	3-00449	RONDELLA 1/4	WASHER 1/4
30	301109	RONDELLA D.13X22X0,6	WASHER D.13X22X0,6
31	3-01568	VALVOLA TUBLESS	TUBLESS VALVE
32	454412	PASSACAVO D.14X22X1,5	RUBBER D.14X22X1,5
33	352586	BLOCCHETTO	BLOCK

**PANZITTA SALES & SERVICE**  
**72 George Avenue**  
**Wilkes-Barre, PA 18705**  
**570-822-6720 800-822-6720**  
**www.panzittasales.com**

# GRUPPO GONFIAGGIO T.I. T.I. INFLATION GROUP



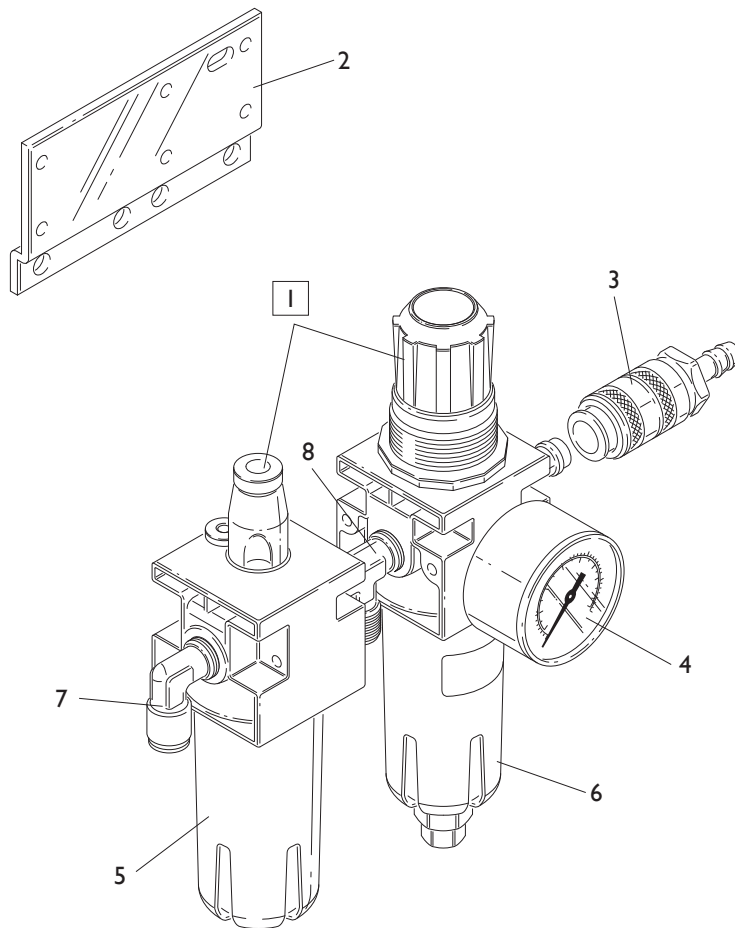
**PANZITTA SALES & SERVICE**  
**72 George Avenue**  
**Wilkes-Barre, PA 18705**  
**570-822-6720 800-822-6720**  
**www.panzittasales.com**



Rif. Ref.	Codice Code	Descrizione	Description
1	1-01683	TUBO RYLSAN D8X1	RYLSAN HOSE D.8X1
2	240968	SERBATOIO CON VALVOLA <b>CE</b>	<b>CE</b> TANK ASSEMBLY
2	5-100580	SERBATOIO CON VALVOLA <b>ASME</b>	<b>ASME</b> TANK ASSEMBLY
3	3-00356	VALVOLA DI MAX 11BAR <b>CE</b>	<b>CE</b> VALVE 11BAR
3	3-00278	VALVOLA DI MAX 11BAR <b>ASME</b>	<b>ASME</b> VALVE 11BAR
4	1-04223	TUBO POLIUR.ARIA D.10X1,25	HOSE D.10X1,25
5	438995	RACCPN-L M/F	L-FITTING
6	337704	RACCPN-RESCA G1-TG26 L67	RESCA FITTING G1-TG26 L67
7	252625	PEDALE GONFIAGGIO	INFLATION PEDAL
8	452624	ANTIVIBRANTE M/F 20X11 M6X9	VIBRATION DAMPING 20X11 M6X9
9	2-00150	DADO ES. M6	HEXAGON NUT M6
10	2-00373	VTE M8X20	HEXAGON HEAD SCREW M8X20
11	2-00212	RONDELLA D.8	WASHER D.8
12	2-00112	DADO ES. M8	HEXAGON NUT M8
13	4-100833	STAFFA SERBATOIO	TANK BRACKET
14	403751	FASCETTA D.8-16	FASTEN D.8-16
15	241841	RACCORDO GIREVOLE <b>T.I.</b>	<b>T.I.</b> ROTATING JOINT
16	4-102573	TUBO IN GOMMA 25X37 18ATM. L.340mm	RUBBER HOSE 25X37 L.340mm
17	342289	TUBO RYLSAN TRASP. 14X1 L.650mm	RYLSAN HOSE 14X1 L.650mm
18	3-00117	RACCPN-TL G1/8C T6/4	TL-FITTING G1/8C T6/4
19	242290	VALVOLA DI GONFIAGGIO <b>T.I.</b>	<b>T.I.</b> INFLATION VALVE
20	3-02945	CARTUCCIA	CARTRIGE
21	4-402799	RACCPN-TO G1/4C T8	T-FITTING G1/4C T8
22	4-402798	RACCPN-LO G1/4C T8	L-FITTING G1/4C T8
23	243020	VALVOLA	VALVE
24	2-94006	VTCEI 1/2F M6X40	HEXAGON SOCKET HEAD SCREW 1/2F M6X40
25	342286	STAFFA PORTA VALVOLA	VALVE BRACKET
26	5-106703	LIMITATORE GONFIAGGIO CPL.	VALVE ASSEMBLY
27	4-119680	SUPPORTO VALVOLA	VALVE SUPPORT
28	3-00460	RACCPN-D G1/4 T6	D-FITTING G1/4 T6
29	352619	CAPPELOTTO DISTANZIALE	SPACER
30	2-02804	DADO ES. M4	HEXAGON NUT M4
31	2-00851	VTCEI M4X40	HEXAGON SOCKET HEAD SCREW M4X40
32	3-03313	LIMITATORE DI GONFIAGGIO	VALVE
33	5-105676	GRUPPO DI GONFIAGGIO CPL.	INFLATION ASSEMBLY
34	3-00004	RACCPN ATTACCO RESCA 7 G1/8	RESCA FITTING G1/8
35	352614	TUBO IN GOMMA L.3500mm	RUBBER HOSE L.3500mm
36	2-00289	VTCEI M4X10	HEXAGON SOCKET HEAD SCREW M4X10
37	2-00209	RONDELLA D.4	WASHER D.4
38	352968	SUPPORTO VALVOLA	VALVE SUPPORT
39	3-00464	RACCPN-D G1/8G T8	D-FITTING G1/8G T8
40	235463	VALVOLA SGONFIAGGIO	DEFLATION VALVE
41	3-00365	VALVOLA 3/2 1/8	VALVE 3/2 1/8
42	338576	DISTANZIALE 17X32	SPACER 17X32

**PANZITTA SALES & SERVICE**  
**72 George Avenue**  
**Wilkes-Barre, PA 18705**  
**570-822-6720 800-822-6720**  
**www.panzittasales.com**

# GRUPPO FILTRO FILTER GROUP

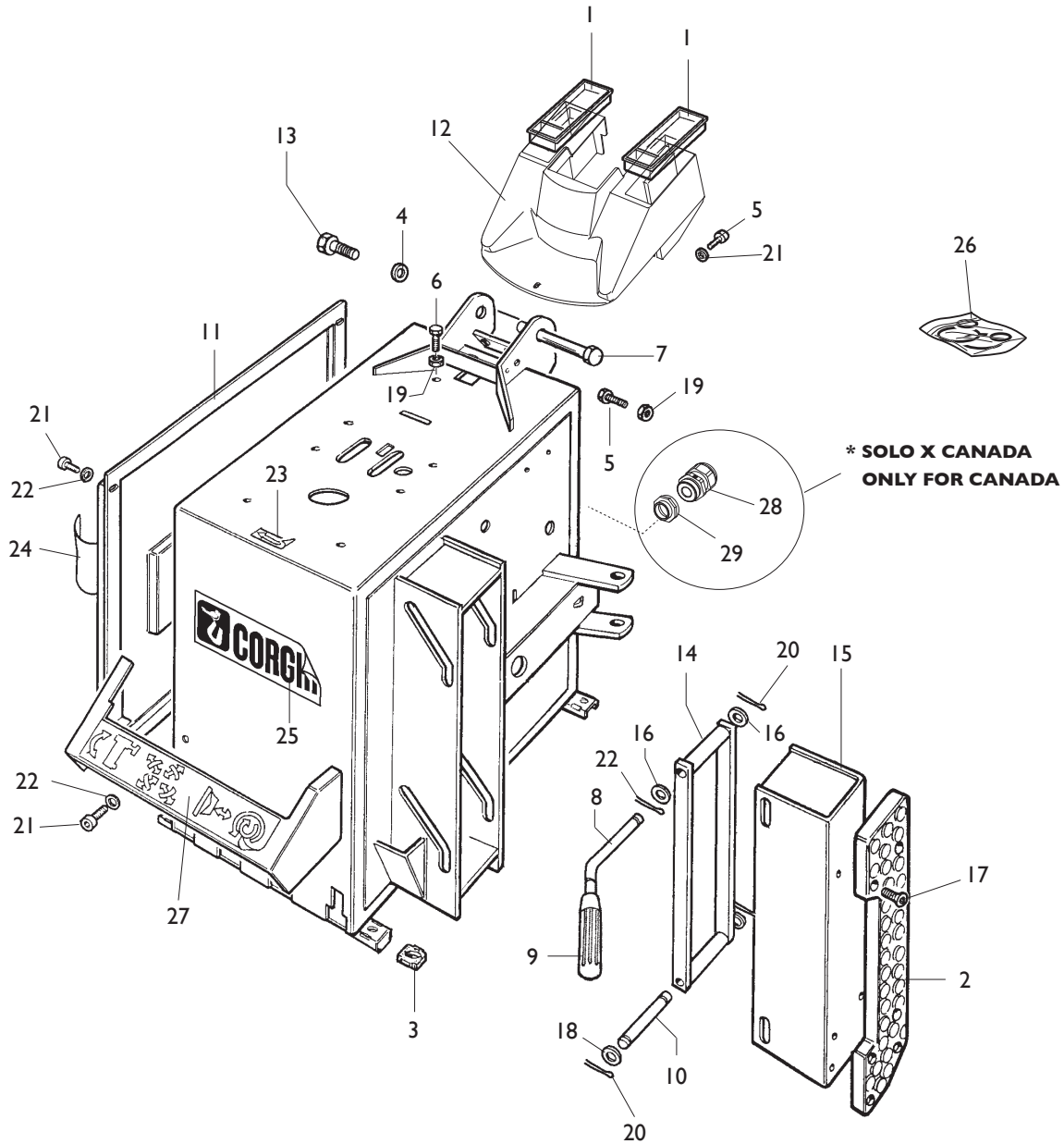


**PANZITTA SALES & SERVICE**  
72 George Avenue  
Wilkes-Barre, PA 18705  
570-822-6720 800-822-6720  
[www.panzittasales.com](http://www.panzittasales.com)

Rif. Ref.	Codice Code	Descrizione	Description
1	456522	FILTRO CPL ( <b>MANOM. ESCLUSO</b> )	FILTER ASSEMBLY ( <b>GAUGE NOT INCLUDED</b> )
2	335695	STAFFA FILTRO	FILTER BRACKET
3	3-00257	RACCORDO RAPIDO	FITTING
4	3-00488	MANOMETRO D.40 <b>BAR/PSI</b>	<b>BAR/PSI</b> D.40 PRESSURE GAUGE
4	3-00494	MANOMETRO D.40 <b>KPA</b>	<b>KPA</b> D.40 PRESSURE GAUGE
5	457511	BICCHIERE LUBRIFICATORE	LUBRIFICATOR BOWL
6	457512	BICCHIERE FILTRO	FILTER BOWL
7	3-00221	RACCPN-L G1/4C T8	L-FITTING G1/4C T8
8	3-00001	RACCPN-T G1/4 M/M	T-FITTING G1/4

**PANZITTA SALES & SERVICE**  
**72 George Avenue**  
**Wilkes-Barre, PA 18705**  
**570-822-6720 800-822-6720**  
**[www.panzittasales.com](http://www.panzittasales.com)**

# GRUPPO CASSONE FRAME GROUP



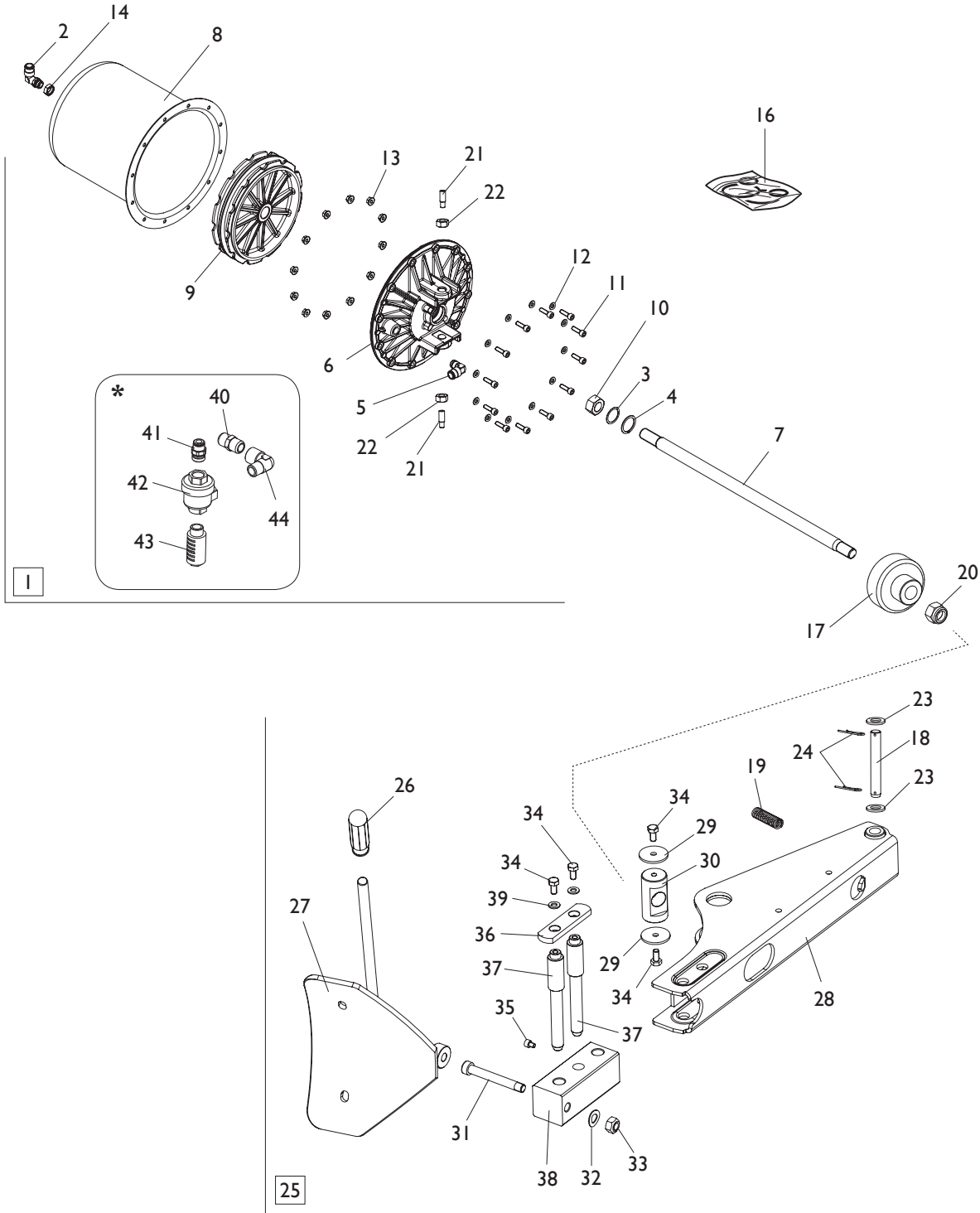
**PANZITTA SALES & SERVICE**  
**72 George Avenue**  
**Wilkes-Barre, PA 18705**  
**570-822-6720 800-822-6720**  
**www.panzittasales.com**

Rif. Ref.	Codice Code	Descrizione	Description
1	428845	COPERCHIO PORTA PINZA	LID
2	436199	APPOGGIO CERCHIO LUNGO	RIM SUPPORT
3	422019	PIEDE	FOOT
4	318183	RONDELLA D.12,5X37,5X6	WASHER D.12,5X37,5X6
5	322348	VITE SPECIALE M10X20	SPECIAL SCREW M10X20
6	2-00380	VITE SPECIALE M10X25	SPECIAL SCREW M10X25
7	331055	PERNO PALO	ARM PIN
8	339456	PERNO MANIGLIA	HANDLE PIN
9	425219	MANOPOLA	HANDLE
10	339046	PERNO CORTO	SHORT PIN
11	5-101008	COFANO CON ADESIVI	COVER WITH LABEL
12	4-109098	PROTEZIONE PALO	ARM COVER
13	2-01225	VTE M12X25	HEXAGON HEAD SCREW M12X25
14	239050	BIELLA	ROD
15	238911	PROLUNGA APPOGGIO	EXTENTION
16	2-01045	RONDELLA D.16	WASHER D.16
17	2-01885	VTSPEI M6X25	CSK SCREW SOCKET M6X25
18	2-00112	DADO ES. M8	HEXAGON NUT M8
19	2-00113	DADO ES. M10	HEXAGON NUT M10
20	2-00047	COPIGLIA D.3X30	PLUG D.3X30
21	2-00310	VTCEI M6X20	HEXAGON SOCKET HEAD SCREW M6X20
22	2-00211	RONDELLA D.6	WASHER D.6
23	418135	ADESIVO ROTAZIONE	ROTATION LABEL
24	461236	ADESIVO CORGHI	CORGHI LABEL
25	460384	ADESIVO CORGHI	CORGHI LABEL
26	5-104618	KIT ADESIVI <b>A2024TI</b>	LABEL KIT <b>A2024TI</b>
27	426768	PROTEZIONE PEDALI	PEDAL COVER
*28	3-03548	PRESSAVAVO PG2I	CABLE GLAND
*29	3-03547	RACC-DRITTO-M-F-PG16-2I	FITTING-M-F-PG16-2I

**\* Solo per Canada  
Only for Canada**

**PANZITTA SALES & SERVICE**  
**72 George Avenue**  
**Wilkes-Barre, PA 18705**  
**570-822-6720 800-822-6720**  
**www.panzittasales.com**

# GRUPPO STALLONATORE BEAD BREAKING GROUP

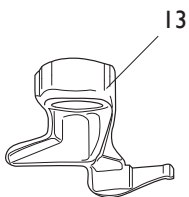
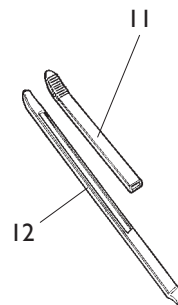
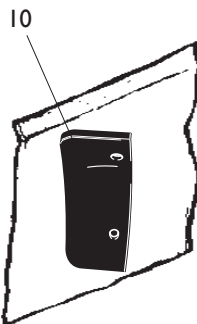
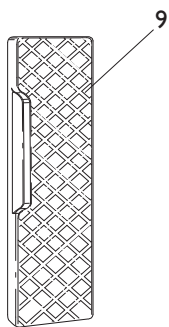
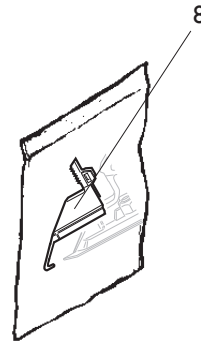
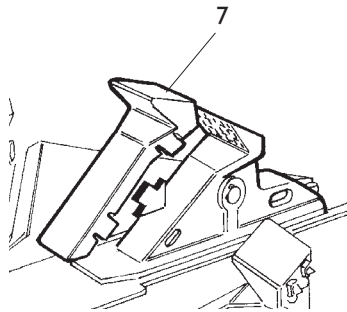
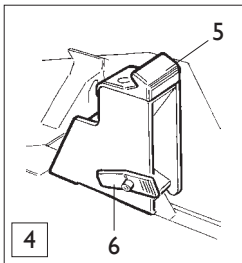
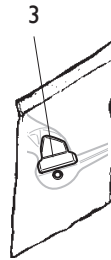
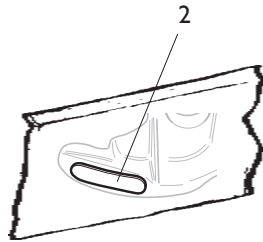
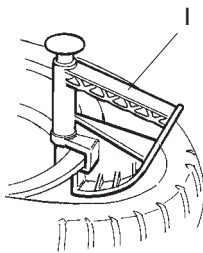


**PANZITTA SALES & SERVICE**  
**72 George Avenue**  
**Wilkes-Barre, PA 18705**  
**570-822-6720 800-822-6720**  
**www.panzittasales.com**

Rif. Ref.	Codice Code	Descrizione	Description
1	5-100484	CILINDRO STALL. ( <b>NO VALVOLA</b> )	BEAD BREAKER CYL. ( <b>VALVE NOT INCLUDED</b> )
*1	5-100511	CILINDRO STALL. ( <b>CON VALVOLA</b> )	BEAD BREAKER CYL. ( <b>VALVE INCLUDED</b> )
2	3-00517	RACCPN-LO GI/4GO T10	LO-FITTING GI/4GO T10
3	325561	RONDELLA D.24X29,8X0,5	WASHER D.24X29,8X0,5
4	434031	ANELLO D.30	SEEGER D.30
5	3-00222	RACCPN-L GI/4C T10	L-FITTING GI/4C T10
6	351905	FLANGIA D.186	FLANGE D.186
7	4-101628	STELO D.20X515	STEM D.20X515
8	330190	CILINDRO D.186	CYLINDER D.186
9	337848	PISTONE D.186X44	PISTON D.186X44
10	2-00989	DADO ES. M18X1,5	HEXAGON NUT M18X1,5
11	2-00310	VTCEI M6X20	HEXAGON SOCKET HEAD SCREW M6X20
12	2-00211	RONDELLA D.6	WASHER D.6
13	436779	DADO ES.A. M6	AUTOLOCKING HEXAGON NUT M6
14	333524	DADO 1/4	NUT 1/4
16	238212	KIT GUARNIZIONI CILINDRO D.186	SEAL KIT CYLINDER D.186
17	239061	TAMPONE DISTANZIALE	SPACER
18	323903	FULCRO BRACCIO STALLONATORE	FULCRUM PIN
19	4-104313	MOLLA TRAZIONE D.23X3X133	SPRING D.23X3X133
20	2-01242	DADO ES.A. M18X1,5	AUTOLOCKING HEXAGON NUT M18X1,5
21	431864	VITE SPECIALE FISS. CILINDRO M14X42	SPECIAL SCREW M14X42
22	2-00992	DADO ES. M14	HEXAGON NUT M14
23	2-01045	RONDELLA D.16	WASHER D.16
24	435055	COPIGLIA D.2X40	PLUG D.2X40
25	245743	BRACCIO STALLONATORE	BEAD BREAKER ASSEMBLY
26	425219	MANOPOLA	KNOB
27	224000	PALETTA	BEAD BREAKER
28	245701	BRACCIO	ARM
29	323901	RONDELLA D. 8,25X40X3	WASHER D. 8,25X40X3
30	339045	PERNO ORIENTABILE	PIN
31	324008	VITE SPECIALE M12X90	SPECIAL SCREW M12X90
32	2-02249	RONDELLA ELASTICA 13X24	ELASTIC WASHER 13X24
33	422255	DADO AUTOFR. TRISTOP M12	TRISTOP AUTOLOCKING NUT M12
34	2-00372	VITE M8X12	HEXAGON HEAD SCREW M8X12
35	2-01006	VTCEI M6X8	HEXAGON SOCKET HEAD SCREW M6X8
36	345616	FISSAGGIO PUNTE	LOCKING PEAK RETAINER
37	345617	PUNTA DI BLOCCAGGIO	PEAK RETAINER
38	345618	BLOCCHETTO PROLUNGA	EXTENSION BLOCK
39	2-01299	RONDELLA D.9X24X2	WASHER D.9X24X2
*40	<b>3-00141</b>	<b>RACCPN-NIPPLO-GI/4C</b>	<b>FITTING-NIPPLO-GI/4C</b>
*41	<b>3-00462</b>	<b>RACCPN-D-GI/4C-T10</b>	<b>D-FITTING-GI/4C-T10</b>
*42	<b>3-00317</b>	<b>VALVOLA VSR GI/4</b>	<b>VALVE VSR GI/4</b>
*43	<b>3-00182</b>	<b>SILENZIATORE PLASTICA GI/4</b>	<b>PLASTIC SILENCER GI/4</b>
*44	<b>3-00136</b>	<b>RACCPN-L-GI/4</b>	<b>L-FITTING-GI/4</b>

**PANZITTA SALES & SERVICE**  
**72 George Avenue**  
**Wilkes-Barre, PA 18705**  
**570-822-6720 800-822-6720**  
**www.panzittasales.com**

# ACCESSORI ACCESSORIES



**PANZITTA SALES & SERVICE**  
72 George Avenue  
Wilkes-Barre, PA 18705  
570-822-6720 800-822-6720  
[www.panzittasales.com](http://www.panzittasales.com)



Rif. Ref.	Codice Code	Descrizione	Description
1	801435685	PINZA PREMITALLONE	PLIERS MOUNTING TOOL
2	8-11100107	KIT 5 PASTIGLIE TORRETTA	PROTECTION HEAD KIT (5 PZ)
3	8-11100106	KIT 10 INSERTI TORRETTA	PROTECTION HEAD KIT (10 PZ)
4	801258650	KIT 4 ATTACCHI MOTO 15-23"	MOTO ADAPTOR KIT 15-23" (4 PZ)
5	435202	CUNEO BLOCCAGGIO MOTO	PLASTIC WEDGE
6	426746	CRICCHETTO DI BLOCCAGGIO	LOCKING
7	8-11100108	KIT 12 PROTEZIONI INTERNE	INTERNAL PROTECTION KIT (12 PZ)
8	8-11100109	KIT 12 PROTEZIONI ESTERNE	EXTERNAL PROTECTION KIT (12 PZ)
9	801458663	PROTEZIONE APPOGGIO CERCHIO	RIM PROTECTION
10	8-11100105	KIT 6 PROTEZIONI PALETTA	BEAD BREAKER PROTECTION KIT (6 PZ)
11	8-11100104	KIT 6 PROTEZIONI LEVA	LEVER PROTECTION KIT (6 PZ)
12	4-108275	LEVA	LEVER
13	801252083	KIT TORRETTA 8"	HEAD KIT 8"

**PANZITTA SALES & SERVICE**  
**72 George Avenue**  
**Wilkes-Barre, PA 18705**  
**570-822-6720 800-822-6720**  
**[www.panzittasales.com](http://www.panzittasales.com)**