

ED. 03/2012

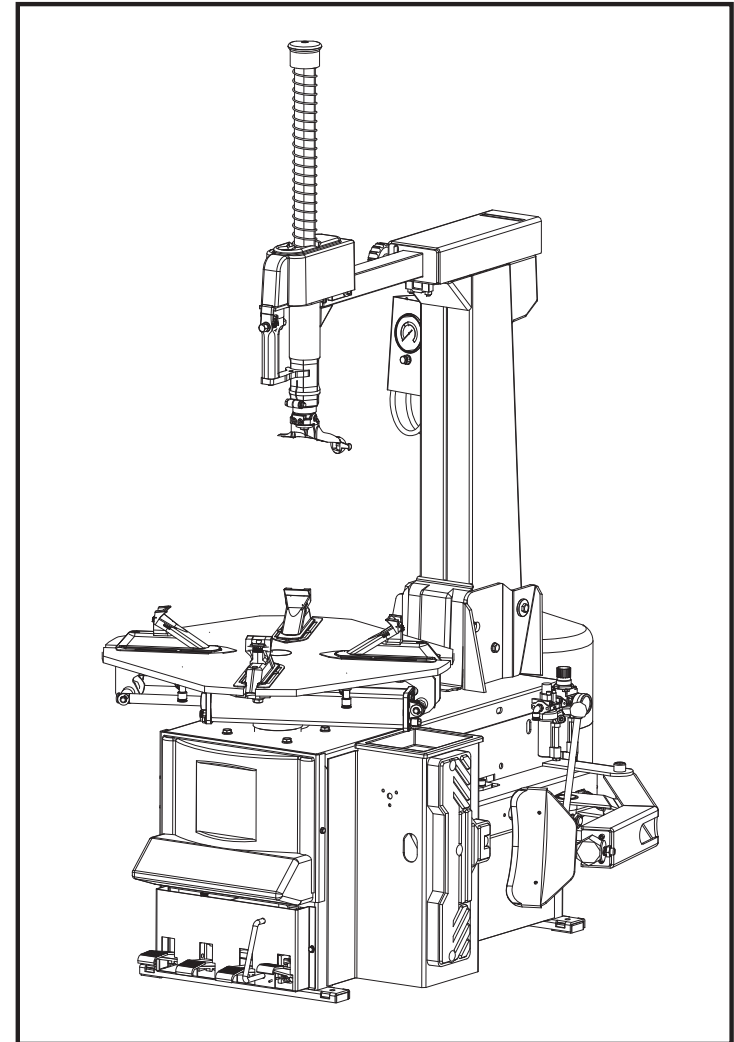


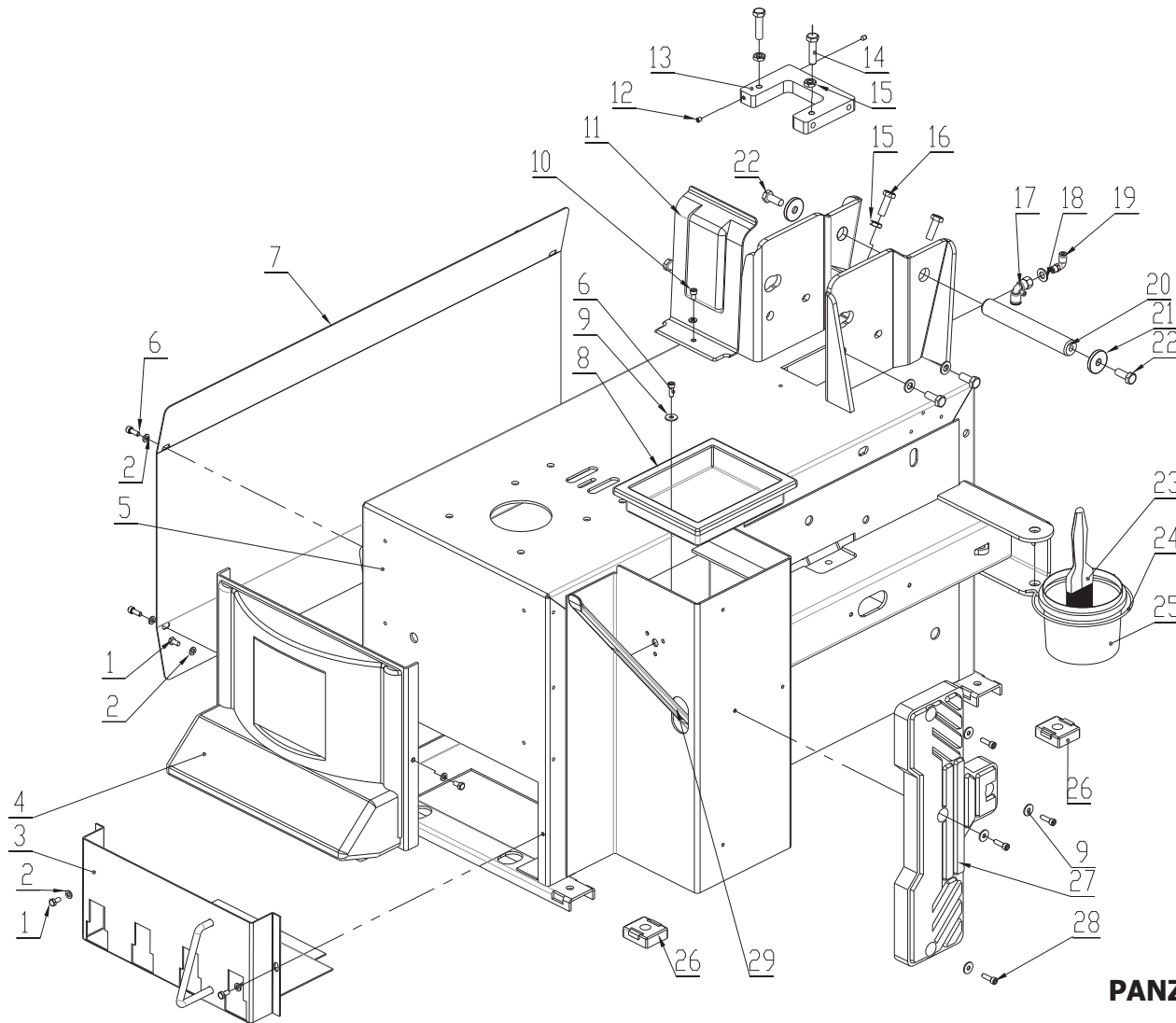
PART CATALOGUE

TC-755

TIRE CHANGER

PANZITTA SALES & SERVICE
72 George Avenue
Wilkes-Barre, PA 18705
570-822-6720 800-822-6720
www.panzittasales.com



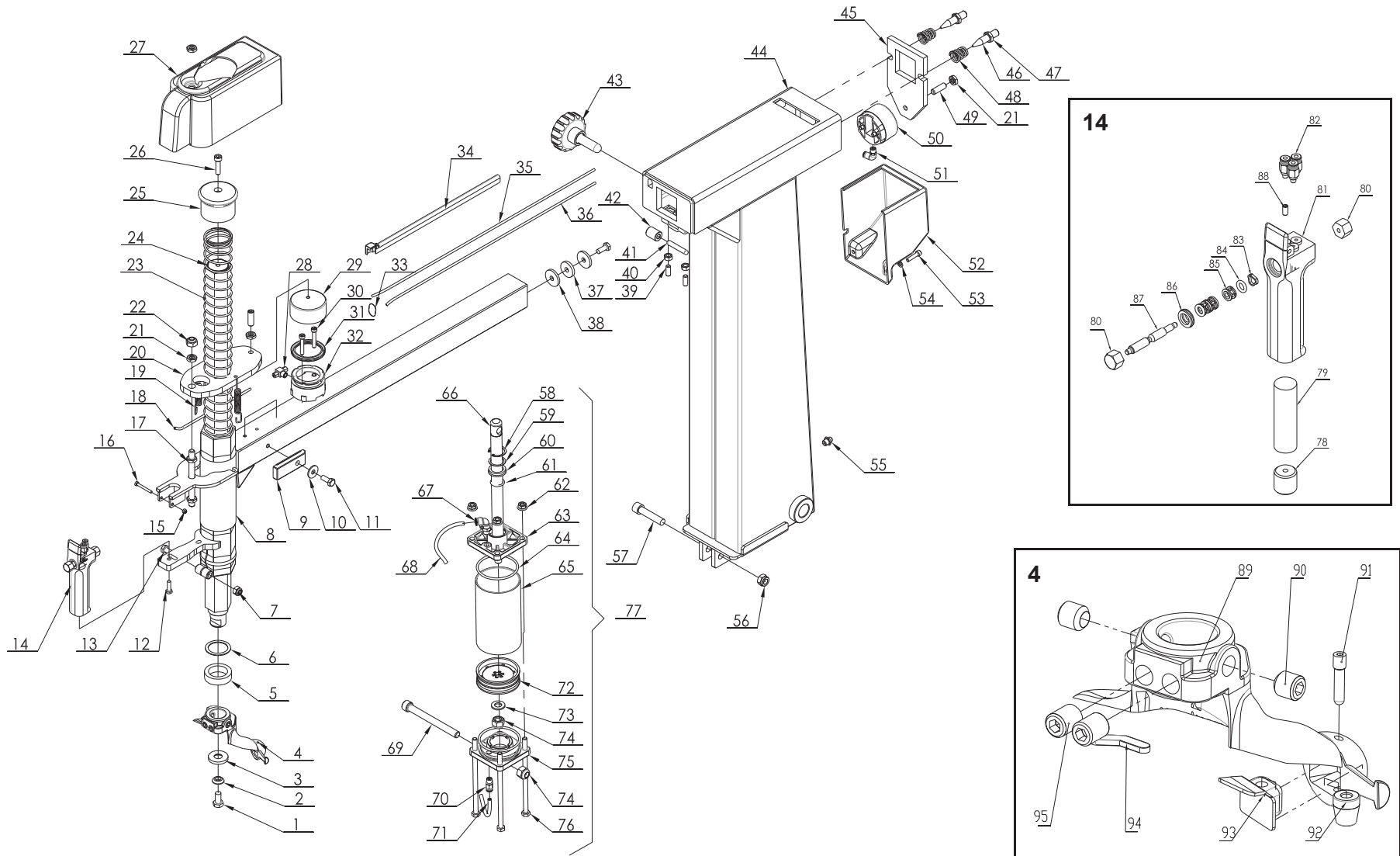


TAV.1.3	BODY	ED. 03/12
---------	------	-----------

ITEM	PART NUMBER	DESCRIPTION	QTY	REMARK
1	0201011	Screw M6X12 - GB/T70.1	4	
2	0205006	Washer D.6 - GB/T97.1	9	
3	YC2-2412453	Pedal support	1	
4	YC1-3011970	Plastic front panel	1	
5	C201010000	Shell	1	
6	0202032	Screw M6X16 - GB/T70.1	5	
7	C200000002	Side cover	1	
8	203B-3018314	Cover	1	
9	0205007	Washer D.6 - GB/T96	5	
10	0202030	Screw M6X10 - GB/T70.1	1	
11	YC2-3012450	Protection	1	
12	0209030	Screw M6X8 - GB/T78	2	
13	YC2-3012312	Spacer	1	
14	0201068	Screw M10X40 - GB/T5782	2	
15	0204012	Nut M10 - GB/T6172.1	4	
16	0201049	Screw M10X30 - GB/T5783	2	
17	0306034	90° quick union 8-1/8	1	
18	0205011	Washer D.10 - GB/T97.1	5	
19	0306035	90° quick union 4-1/8	1	
20	YC2-3000206	Pivot	1	
21	YC2-3000495	Washer	2	
22	0201064	Screw M10X25 - GB/T5783	6	
23	0511063	Grease brush	1	
24	YC1-3000069	Spring	1	
25	YC1-4299984	Grease cup	1	
26	YC1-3002099	Rubber foot	4	
27	YC1-3002102	Wheel support	1	

TAV.1.3	BODY		ED. 03/12
---------	------	--	-----------

28	0202033	Screw M6X20 - GB/T70.1	4
29	YC1-3006970	Bead lifting lever	1



TAV.2.6	HORIZ. AND VERT. ARMS	ED. 03/12
---------	-----------------------	-----------

ITEM	PART NUMBER	DESCRIPTION	QTY	REMARK
1	0201062	Screw M10X20 - GB/T5783	1	
2	YC1-4295805	Spherical washer	1	
3	YC1-4295804	Conical washer	1	
4	YC1-2002215	Mounting tool unit	1	
5	YC1-3002601	Shock absorber	1	
6	YC2-4397031	Spacer	1	
7	0204004	Nut M8 - GB/T889.1	1	
8	C203010000	Horizontal arm	1	
9	YC2-3007935	Limit block	1	
10	0205009	Washer D.8 - GB/T96	1	
11	0201042	Screw M8X20 - GB/T5783	2	
12	0201014	Screw M6X20 - GB/T5783	1	
13	0201037	Screw M8X40 - GB/T5782	1	
14	YC2-2008335M	Arm control valve	1	
15	0204001	Nut M4 - GB/T889.1	1	
16	0201003	Screw M4X35 - GB/T5780	1	
17	YC2-3012459	Special screw M10	1	
18	0306092	Rilsan hose 4X2 L=250	1	
19	YC2-3002273	Spring	2	
20	YC2-3006106	Arm locking plate	1	
21	0204012	Nut M10 - GB/T6172.1	6	
22	0204005	Nut M10 - GB/T889.1	1	
23	104-3005407	Spring	1	
24	YC2-3011391	Hexagonal arm	1	
25	YC1-3001759	Arm knob	1	
26	0202049	Screw M8X30 - GB/T70.1	1	
27	YC2-3015860	Arm frame	1	

TAV.2.6	HORIZ. AND VERT. ARMS	ED. 03/12
---------	-----------------------	-----------

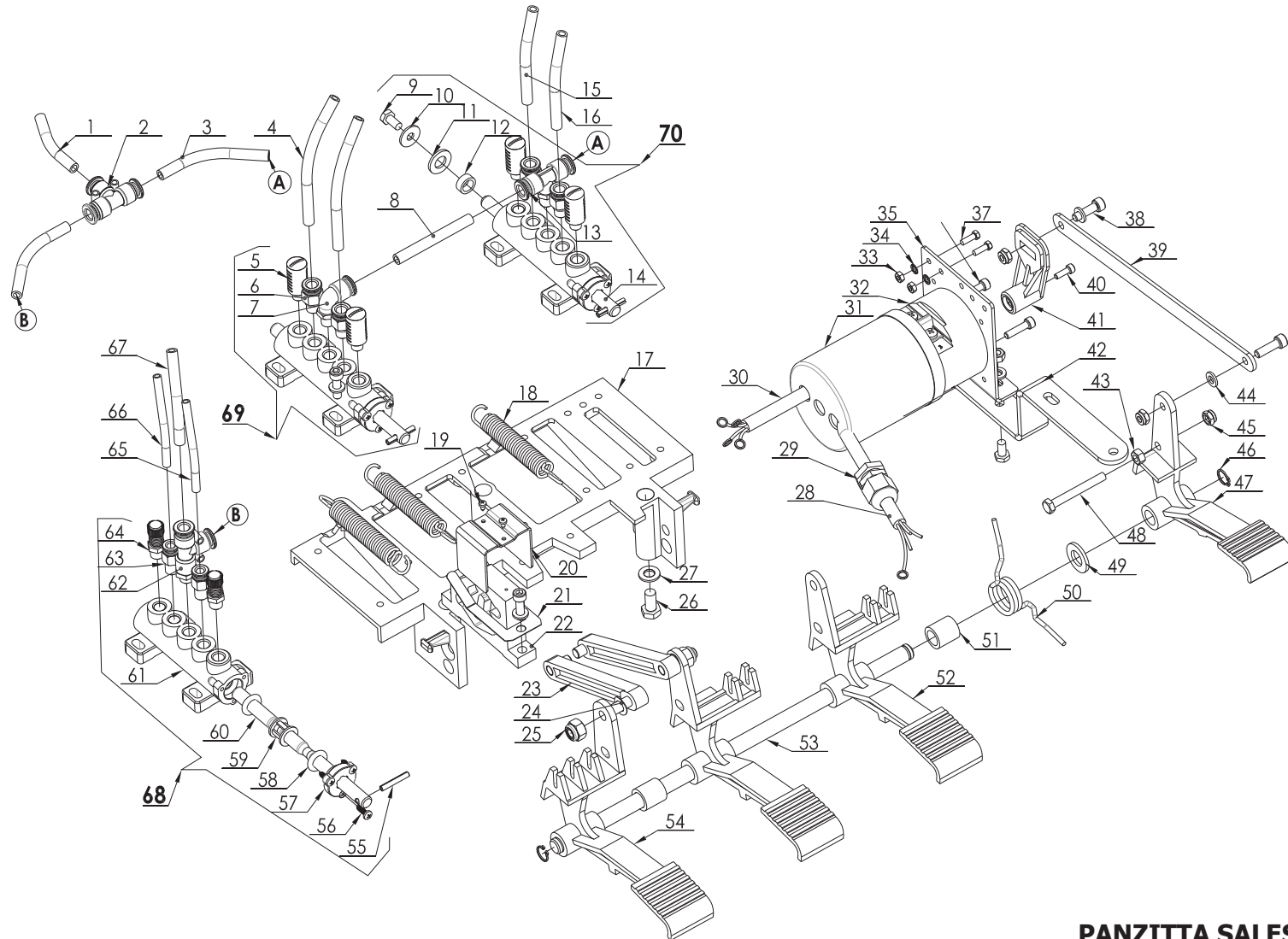
28	0306063	T rotation union 4-1/8	1
29	YC2-4299524	Cylinder liner	1
30	0202027	Screw M6X35 - GB/T70.1	2
31	YC2-4299522	Sealing ring 60X50X5	1
32	YC2-4299523	Piston	1
33	0508197	Nylon band 3X60	1
34	C200000004	Guide	1
35	0306092	Rilsan hose 4X2 yellow	1
36	0306092	Rilsan hose 4X2 red	1
37	YC2-300181	Washer	1
38	YC2-4399947	Spacer	2
39	0209019	Screw M8X20 - GB/T77	2
40	0203008	Nut M8 - GB/T6170	2
41	YC2-001	Parallel pin	1
42	YC2-3002474	Roller	1
43	YC2-2011002	Hand wheel	1
44	C202010000	Vertical post	1
45	YC2-3015676	Arm locking plate	1
46	YC2-3015677	Special screw	2
47	0204016	Nut M12 - GB/T6172.1	2
48	YC2-3016043	Spring	2
49	0209022	Screw M10X30 - GB/T77	2
50	YC2-2099665	Locking cylinder	1
51	0306035	90° quick union 4-1/8	1
52	C200000005	Protection	1
53	0202034	Screw M6X25 - GB/T70.1	2
54	0205006	Washer D.6 - GB/T97.1	2

TAV.2.6	HORIZ. AND VERT. ARMS	ED. 03/12
---------	-----------------------	-----------

55	0215020	Greaser 10X1	1
56	0204007	Nut M12 - GB/T889.1	1
57	YC2-3000599	Pivot pin	1
58	0211004	Seeger D.30 - GB/T893.1	1
59	YC1-4398146	Washer	1
60	0606016	Scraper 20X30X7	1
61	0606004	O-ring 20X2.75	1
62	0204025	Nut M8 - GB/T6177.1	4
63	YC1-3015024	Flange	1
64	0606007	O-ring 75X3.55	2
65	YC2-3008084	Cylinder liner	1
66	YC2-3002624	Piston rod	1
67	0306036	90° quick union 6-1/8	1
68	0306095	Rilsan hose 6X4 L=1200	1
69	0202069	Screw M12X120 - GB/T70.1	1
70	0306046	90° quick union 6-1/8	1
71	0306095	Rilsan hose 6X4 L=1100	1
72	YC1-4198856-2	Piston	1
73	0205013	Washer D.12 - GB/T97.1	1
74	0204007	Self-locking nut M12	2
75	YC1-3015023	Flange	1
76	YC2-3008085	Special screw M8X162	4
77	YC2-2002831	Tilting cylinder	1
78	YC2-3013355	Bottom cap	1
79		Fabric insert	1
80	YC2-3012721	Aluminum nut	2
81	YC2-3012487	Valve body	1

TAV.2.6	HORIZ. AND VERT. ARMS		ED. 03/12
---------	-----------------------	--	-----------

82	0306111	Quick union D.4-M5	3
83	YC2-3007646	Locking ring	1
84	YC2-4400804	O-ring	4
85	YC2-3007647	Spacer	3
86	YC2-3007645	Cap	1
87	YC2-3007644	Valve pin	1
88	0209052	Screw M5X10 - GB/T77	1
89	YC1-3007801	Mounting tool	1
90	0209020	Screw M12X12 - GB/T80	2
91	YC1-3009018	Special screw	1
92	YC1-3000215	Peak roll	1
93	YC1-3006689	Plastic insert	1
94	YC1-3013650	Plastic insert	1
95	0209015	Screw M12X16 - GB/T80	2



TAV.3.2	PEDAL BOX	ED. 03/12
---------	-----------	-----------

ITEM	PART NUMBER	DESCRIPTION	QTY	REMARK
1	0306097	Rilsan hose 8X5 L=1000	1	
2	0306022	Quick T union D.8	1	
3	0306097	Rilsan hose 8X5 L=270	2	
4	0306097	Rilsan hose 8X5 L=850	2	
5	0306059	Silencer 1/8	4	
6	0306045	Quick union 8-1/8	4	
7	0306033	90° quick union 8-R1/8	1	
8	0306097	Rilsan hose 8X5 L=70	1	
9	0201011	Screw M6X12 - GB/T5783	3	
10	0205007	Washer D.6 - GB/T96	1	
11	0205011	Washer D.10 - GB/T97.1	1	
12	YC1-4197629	Nylon washer	1	
13	0306023	Quick T union 8-1/8	1	
14	YC1-3007598	Valve pin 3	1	
15	0306097	Rilsan hose 8X5 L=700	1	
16	0306097	Rilsan hose 8X5 L=800	1	
17	YC1-3002161	Pedal box base	1	
18	YC1-3013333	Pedal return spring	3	
19	0207034	Self-tapping screw ST2.9X6.5 - GB/T845	2	
20	YC1-3099910	Connection rod guide	1	
21	YC2-4299910	Forked leaf spring	1	
22	YC1-4299913	Double cam	1	
23	YC1-4299912	Connection rod	2	
24	0215019	Washer D.8 - GB/T860	2	
25	0204004	Nut M8 - GB/T889.1	2	
26	0201026	Screw M8X16 - GB/T5783	3	
27	0205008	Washer D.8 - GB/T97.1	3	

TAV.3.2	PEDAL BOX	ED. 03/12
---------	-----------	-----------

28	0506016	Power cable L=3500	1
29	0507115	Cable holder	1
30	0506016	Motor cable L=1500	1
31	YC1-3015344	Reverser cover	1
32	0505009	Reverser 40A	1
33	0203002	Nut M4 - GB52	2
34	0211016	Washer D.4 - GB/T862.2	2
35	YC1-3015340	Reverser support	1
36	0202021	Screw M5X20 - GB/T70.1	2
37	0201004	Screw M4X12 - GB/T5781	2
38	0202033	Screw M6X20 - GB/T70.1	12
39	YC1-3015341	Connection rod	1
40	0202004	Screw M4X12 - GB/T70.1	1
41	YC1-3000175	Reverser lever	1
42	YC1-3015342	Support	1
43	0203004	Nut M6 - GB52	3
44	0205006	Washer D.6 - GB/T97.1	14
45	0204003	Nut M6 - GB/T889.1	3
46	0212001	Seeger D.12 - GB/T894.1	2
47	YC1-3002157	Pedal A	1
48	0201016	Screw M6X50 - GB/T5782	1
49	0205013	Washer D.12 - GB/T97.1	1
50	YC1-3000142	Pedal control spring	1
51	YC1-3007953	Bush	2
52	YC1-3002159	Pedal B	2
53	YC2-3003095	Pedal alignment pin	1
54	YC2-3002160	Pedal C	1

TAV.3.2	PEDAL BOX	ED. 03/12
---------	-----------	-----------

55	0213003	Elastic pin 4X25 - GB/T879.1	3
56	0207032	Self-tapping screw ST3.5X13 - GB/T845	9
57	YC1-3001585	Valve flange	3
58	YC1-4299000	O-ring 17X4	18
59	YC1-3001584	Valve spacer	15
60	YC1-3002442	Valve pin 1	2
61	YC1-3001583	Valve body	3
62	0306021	Quick T union 8-1/8	1
63	0306046	Quick union 6-1/8	2
64	0306013	Silencer outlet adjuster 1/8	2
65	0306095	Rilsan hose 6X4 L=1200	1
66	0306095	Rilsan hose 6X4 L=1000	1
67	0306097	Rilsan hose 8X5 L=1200	1
68	YC2-2002531	Tilting control valve unit	1
69	YC1-2002529	Turntable valve unit	1
70	YC1-2006297	Bead breaking valve unit	1

TAV.4.5	BEAD BREAKER	ED. 03/12
---------	--------------	-----------

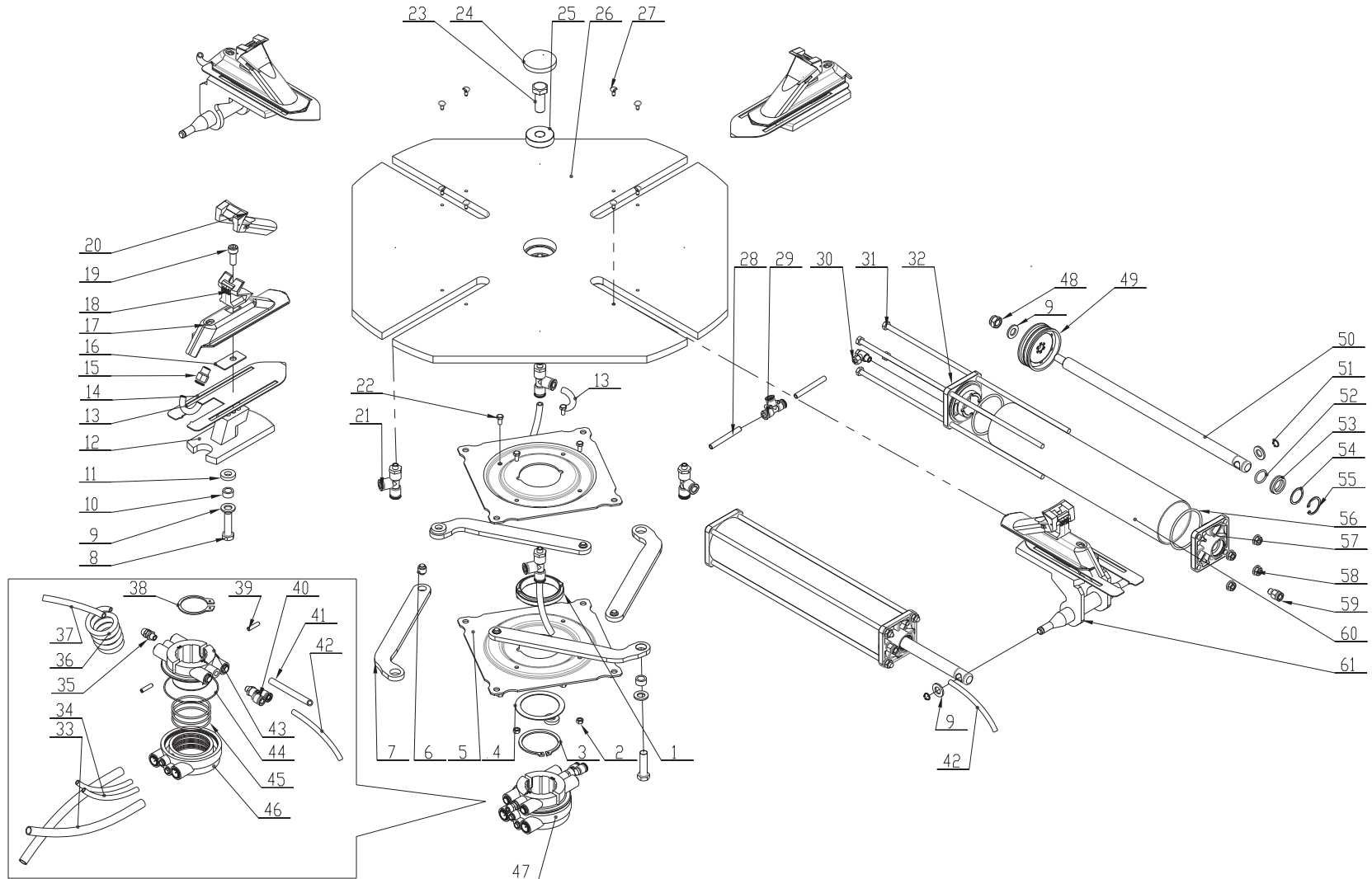
ITEM	PART NUMBER	DESCRIPTION	QTY	REMARK
1	C207010003	Piston rod	1	
2	0309084	O-ring16X2.65 - GB3452.1	1	
3	C207010008	Seal support ring	2	
4	C207010004	Seal188X200X12	2	
5	C207010002	Piston	1	
6	C207010001	Guiding ring	1	
7	0203022	Nut M18X1.5 - GB/T6171	1	
8	0306160	Quick relief valve unit	1	
9	0306097	Rilsan hose 8X5 L=1000	1	
10	C207010008	Screw M8X257	12	
11	C207010007	Back flange	1	
12	0606011	O-ring195X3.55 - GB/T3452.1	2	
13	C207010006	Cylinder liner	1	
14	C207010100	Front flange	1	
15	0204025	Flange nut M8 - GB/T6177.1	12	
16	0606004	O-ring 20X2.75 - GB3452.1	1	
17	0305041	Guiding ring 67X9.5X2 - GB/T15242.2	2	
18	0606016	Scraper 20X30X7 - GB-T107081	1	
19	YC1-4398146	Washer	1	
20	0211004	Seeger D.30 - GB/T893.1	1	
21	0306032	90° quick union 8-1/4	1	
22	0204009	Self-locking nut M18 - GB/T889.1	1	
23	0212008	Seeger D.40 - GB/T894.1	2	
24	C204000004	Pivot pin	1	
25	0201165	Screw M16X120 - GB/T5780	1	
26	C200000003	Arm spring	1	
27	C204010000B	Bead breaker arm B	1	

TAV.4.5	BEAD BREAKER	ED. 03/12
---------	--------------	-----------

28	0204008	Self-locking nut M16 - GB/T889.1	1
29	C204000005	Pin	1
30	0204013	Nut M14 - GB/T6172.1	2
31	0211015	Elastic washer D.14	4
32	104-3013865	Pin	1
33	C204030000	Bead breaker plate	1
34	YC1-3013240	Protection cover	1
35	C02AQ00000	Control knob - dual controls	1
36	YC1-4299952	Knob	1
37	YC1-3008991	Shock absorber	1
38	0202071	Screw M12X35 - GB/T70.1	2
39	YC1-3015573	Bush	2
40	C207010000A	Bead breaker cylinder	1
41	C204040000	Bead breaking control valve unit	1
42	0306035	90° quick union 4-1/8	2
43	0306212	Shuttle valve XQ120400	1
44	0306027	Union 1/8	1
45	0306086	Silencer PSV-02	2
46	0306032	90° quick union 8-1/4	3
47	0306211	Control valve XQ250630	1
48	0201113	Screw M4X30 - GB/T5781	2
49	0306097	Rilsan hose 8X5 L=800	3
50	0306002	Quick T union D.8	1
51	0306029	Quick T union 4-1/8	1
52	0306015	Plug D.8	1
53	0306026	Quick union D.8-D.4	1
54	0306149	Rilsan hose 4X2.5 L=300 dark blue	1

TAV.4.5	BEAD BREAKER	ED. 03/12
---------	--------------	-----------

55	0306150	Rilsan hose 4X2.5 L=1400 light blue	1
56	0306149	Rilsan 4X2.5 L=1300 dark blue	1
57	0306151	Quick union D.4-M5	2
58	C02AQ00001	Valve body	1
59	KX0008	Spring	1
60	YC2-4400804	O-ring 13.2X2.62	3
61	YC2-3007647	Spacer	2
62	C02AQ00002	Valve pin	1
63	C02AQ00005	Cap	1
64	C02AQ00003	Knob	1
65	C02AQ00004	Push button	1
66	GB/T73	Screw M3X3	2



TAV.5.4	SELF-CENTERING TURNTABLE GT	ED. 03/12
---------	-----------------------------	-----------

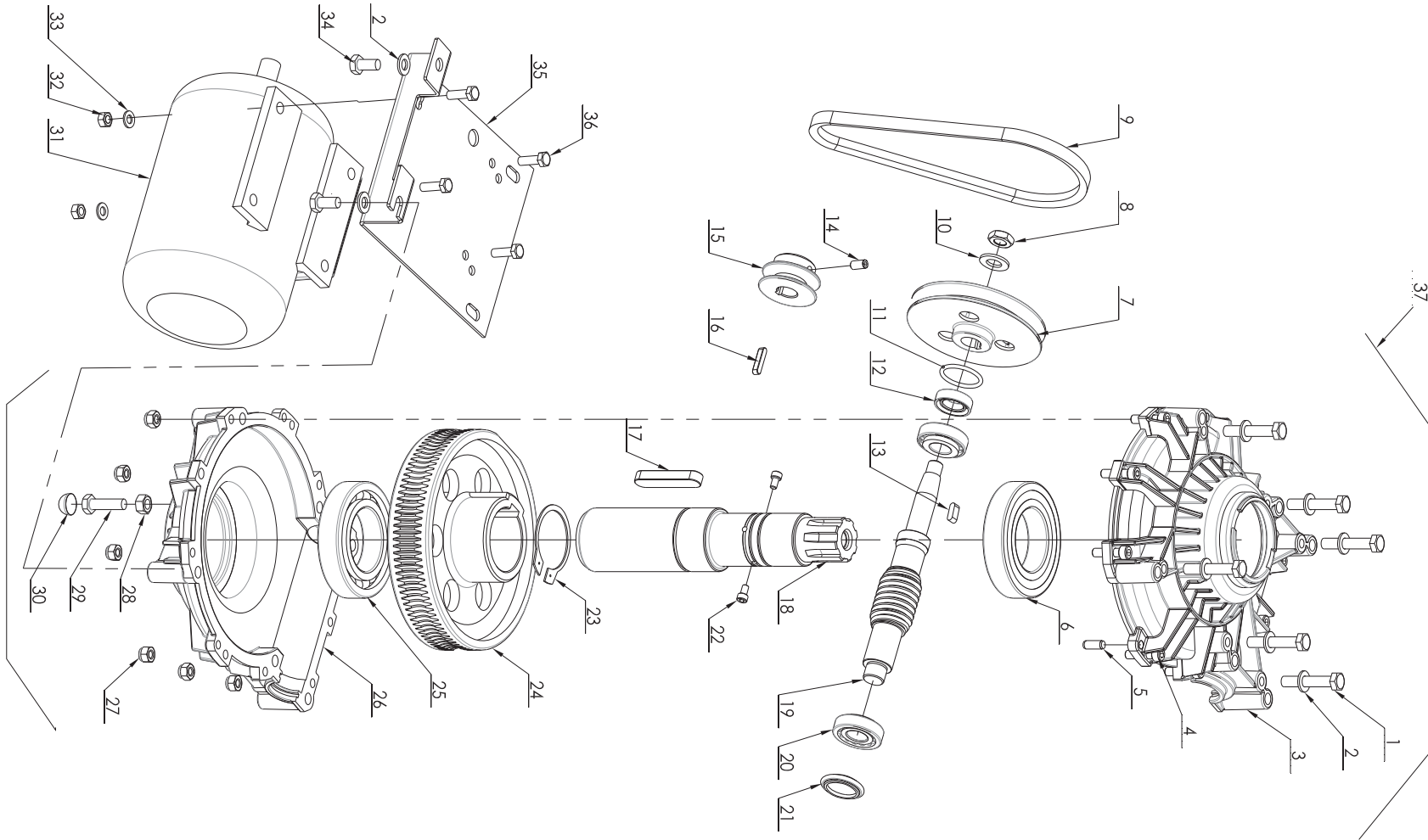
ITEM	PART NUMBER	DESCRIPTION	QTY	REMARK
1	YC1-3007420	Bush	1	
2	0203004	Nut M6 - GB/T6170	4	
3	0212011	Seeger D.65 - GB/T894.1	1	
4	YC1-3006869-A	Turntable spacer	1	
5	YC1-3006869	Turntable flange	2	
6	YC1-3006878	Connection pin	4	
7	104-3011876-A	Connection plate	4	
8	0201072	Screw M12X1.25X45 - GB/T5785	4	
9	0205013	Washer D.12 - GB/T97.1	10	
10	YC1-3006880	Connection rod spacer	4	
11	YC1-3006879	Turntable spacer	4	
12	YC1-3015755-A	Slide support	2	
13	0306094	Rilsan hose10X6.5 L500	4	
14	104-3015171-B	Turntable plate	4	
15	0306042	Quick union 10-1/4	4	
16	104-3015858	Steel shim	4	
17	YC2-2407387	Slide	4	
18	YC1-3002297	Oversize clamp	4	
19	0202055	Screw M10X1.25X25	4	
20	YC1-3001468	Clamp cover	4	
21	0306020	Quick T union 1/8" - D.10	4	
22	0201011	Screw M6X12 - GB/T5783	4	
23	0201100	Screw M16X1.5X40 - GB/T5785	1	
24	YC1-3000062	Turntable cap	1	
25	YC1-3009778	Washer	1	
26	104-2019250	Turntable	1	
27	YC1-3015187	Guide pin	8	

TAV.5.4	SELF-CENTERING TURNTABLE GT	ED. 03/12
---------	-----------------------------	-----------

28	0306097	Rilsan hose 8X5 L69	2
29	0306022	Quick T union 1/8" - D.8	1
30	0306016	90° rotation union 8-1/8	2
31	YCP-3008860	Special screw	8
32	YC1-3015023	Front flange	2
33	0306098	Rilsan hose 14X11 L=800	2
34	0306097	Rilsan hose 8X5 L=850	2
35	0306069	Quick union 1/8" - D.8	1
36	0306103	Rilsan spiral hose 8X5 black	1
37	0306094	Rilsan hose 10X6.5 L=300	2
38	0212009	Seeger D.50 - GB/T894.1	1
39	0209018	Screw M6X25 - GB/T77	2
40	0306003	Quick T union 1/8" - D.8	1
41	0306094	Rilsan hose 10X6.5 L=310	2
42	0306097	Rilsan hose 8X5 L=400	2
43	YC2-4298992-2	Inner element of rotation union	1
44	0309067	O-ring 90X1.8	1
45	0309065	O-ring 63X2.65	3
46	YC2-4298992-1	Union outer element	1
47	YC2-4298992	Rotation union GT	1
48	0204007	Nut M12 - GB/T889.1	2
49	YC1-4198856	Piston	2
50	YCP-3008859	Piston rod	2
51	0212001	Seeger D.12 - GB/T894.1	4
52	0606004	O-ring 20X2.75	2
53	0606016	Scraper 20X30X7	2
54	YC1-4398146	Washer	2

TAV.5.4	SELF-CENTERING TURNTABLE GT	ED. 03/12
---------	-----------------------------	-----------

55	0211004	Seeger D.30 - GB/T893.1	2
56	0606007	O-ring 75X3.55	4
57	YC1-3015024	Back flange	2
58	0204025	Flange nut M8 - GB/T6177.1	8
59	0306045	Quick union 8-1/8	2
60	YCP-3008858	Cylinder liner	2
61	YC1-2415756	Slide guide	2

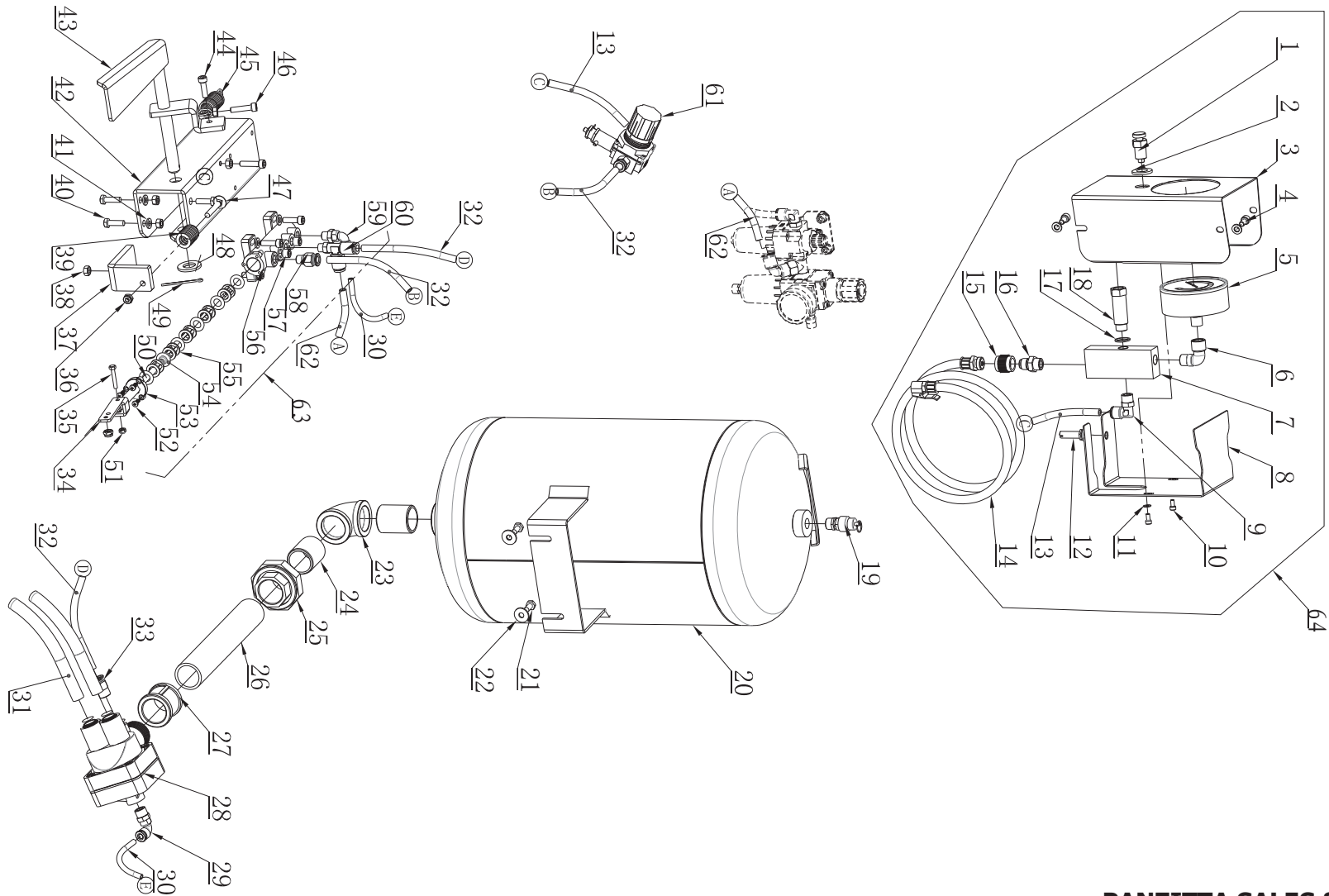


TAV.6.0	MOTOR – REDUCTION GEAR GROUP	ED. 03/12
---------	------------------------------	-----------

ITEM	PART NUMBER	DESCRIPTION	QTY	REMARK
1	0201069	Screw M10X55 - GB/T5780	6	
2	0205011	Washer D.10 - GB/T97.1	8	
3	YC1-3010872	Top gear box	1	
4	0202049	Screw M8X30 - GB/T70.1	10	
5	0213011	Elastic pin 8X20- GB/T119.1	2	
6	0214006	Bearing 6212-2RS - GB/T276	1	
7	YC1-3199596	Gear box pulley	1	
8	0204013	Nut M14 - GB/T6172.1	1	
9	GB/T11544	V belt A580	1	
10	0205017	Washer D.14 - GB/T97.1	1	
11	0606005	O-ring 34.5X3.55 - GB/T3452.1	1	
12	YC1-4296942	Seal	1	
13	0213028	Tab 6X18 - GB/T1096	1	
14	0209009	Screw M8X16 - GB/T80	1	
15	YC1-3000166	Motor pulley	1	
16	202W-ZYDJPJ	Tab 6X30 - GB/T1096	1	
17	0213027	Tab 16X70 - GB/T1096	1	
18	YC1-3010885	Helical gear stud	1	
19	YC1-3010883	Worm	1	
20	0214007	Bearing 30204 - GB/T297	2	
21	YC1-3010886	Seal cap	1	
22	0202030	Screw M6X10 - GB/T70.1	2	
23	0212010	Seeger D.60 - GB/T894.1	1	
24	YC1-3015537	Helical gear	1	
25	0214005	Bearing 6212 - GB/T276	1	
26	YC1-3010873	Bottom gear box	1	
27	0204004	Nut M8 - GB/T889.1	10	

TAV.6.0	MOTOR – REDUCTION GEAR GROUP	ED. 03/12
---------	------------------------------	-----------

28	0203009	Nut M10 - GB52	1
29	0201050	Screw M10X35 - GB/T5783	1
30	YC1-3000164	Spherical washer	1
31	0509097	1PH motor 110V 1.1KW	1
32	0203029	Nut M8 - GB/T6170	4
33	0205008	Washer D.8 - GB/T97.1	4
34	0201062	Screw M10X20 - GB/T5783	2
35	YC1-3000149A	Motor support	1
36	0201038	Screw M8X25 - GB/T5783	4
37	YC1-2011967	Reduction gear unit	1



TAV.7.0	GT INFLATING DEVICE	ED. 03/12
---------	---------------------	-----------

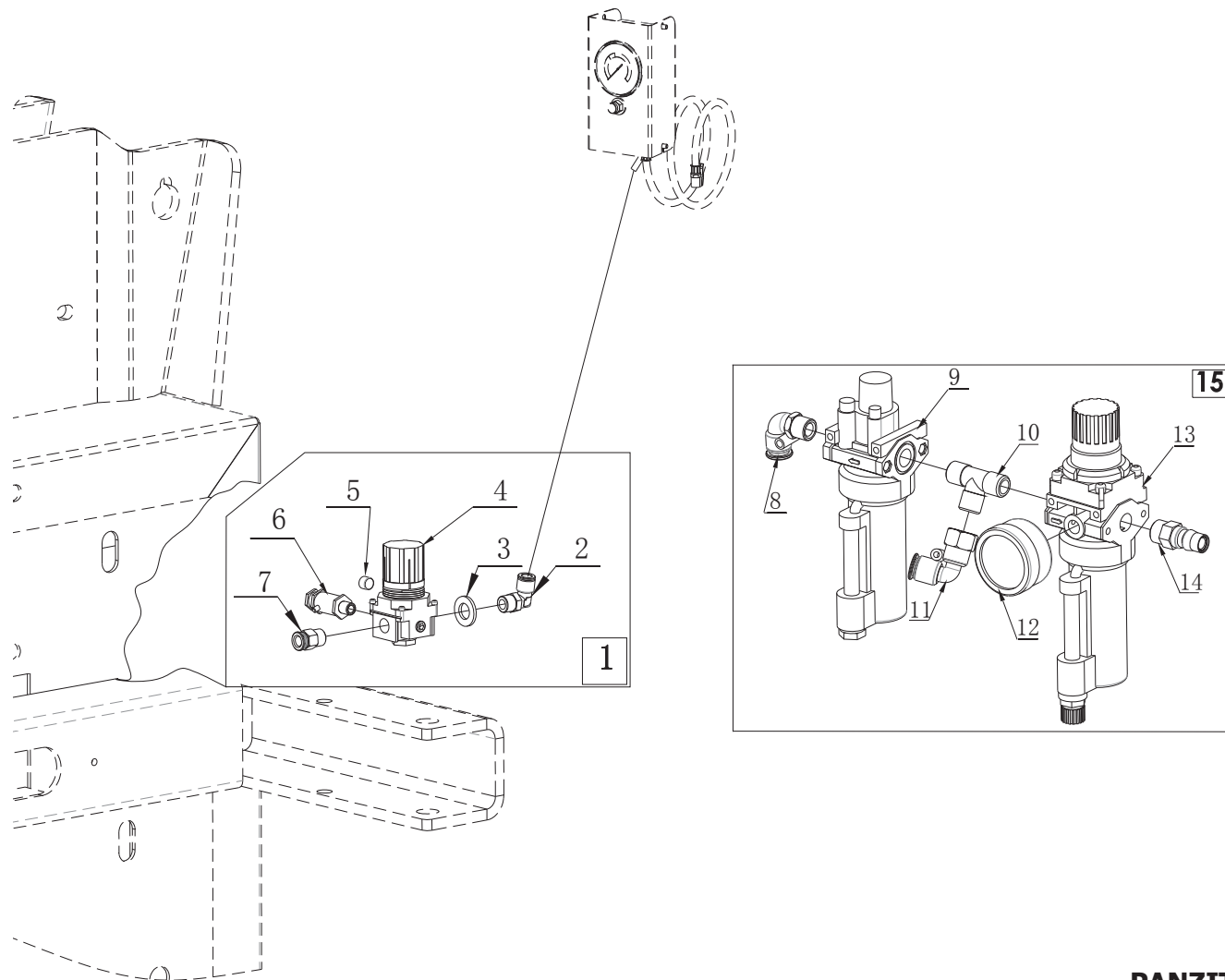
ITEM	PART NUMBER	DESCRIPTION	QTY	REMARK
1	YC2-4299354	Relief valve	1	
2	0205013	Washer D.12 - GB/T97.1	1	
3	YC2-3015108	GT front plate	1	
4	0202030	Screw M6X10 - GB/T70.1	2	
5	0307025	Pressure gauge	1	
6	0306076	Union 1/4	1	
7	YC2-3015111	Gauge support	1	
8	YC2-3015109	GT back plate	1	
9	0306037	90° quick union 8-1/4	1	
10	0202008	Screw M4X8 - GB/T70.1	2	
11	0205002	Washer D.4 - GB/T97.1	2	
12	0511124	GT hose holder	1	
13	0306097	Rilsan hose 8X5 L=850	2	
14	0306110	GT control unit hose 1/4 L=1500	1	
15	0306017	Clasp nut 1/4	1	
16	0306073	Union 1/4	1	
17	0305040	Copper washer	1	
18	YC2-3015112	Union	1	
19	0306004	Safety valve 1/4 10bar	1	
20	YC2-2402899	Air tank	1	
21	0201011	Screw M6X12 - GB/T5783	2	
22	0205007	Washer D.6 - GB/T96	2	
23	0511076	Elbow union 1"	1	
24	YC2-3005043	Union	2	
25	0511033	Rotation union 1"	1	
26	YC2-3005041	Pipe	1	
27	0511034	Sleeve collar 1"	1	

TAV.7.0	GT INFLATING DEVICE	ED. 03/12
---------	---------------------	-----------

28	YC2-4198531	Pneumatic valve	1
29	0306138	90° quick union 6-1/4	1
30	0306095	Rilsan hose 6X4 L=400	2
31	0306018	Rilsan hose 14X10L=1000	2
32	0306097	Rilsan hose 8X5 L=500	4
33	0306144	Quick union 8-1/4	1
34	YC2-3001853	Valve control lever	1
35	GB/T5780	Screw M4X25	1
36	0204003	Self-locking nut M6 - GB/T889.1	2
37	YC2-3008005	Limit stop screw support	1
38	0203004	Nut M6 - GB52	6
39	YC2-4298942	Spring	1
40	0201014	Screw M6X20 - GB/T5783	4
41	0205006	Washer D.6 - GB/T97.1	9
42	YC2-3010287	Valve unit support	1
43	YC2-2410288	GT pedal	1
44	0202033	Screw M6X20 - GB/T70.1	5
45	YC2-3000141	Spring	1
46	0202034	Screw M6X25 - GB/T70.1	2
47	YC2-4398890	Spring bolt	1
48	0205017	Washer D.14 - GB/T97.1	1
49	0213018	Split pin 2.5X40 - GB/T91	1
50	YC2-3001849	Valve pin 4	1
51	0204001	Locking nut M4 - GB/T889.1	1
52	0207032	Self-taping screw ST3.5X13 - GB/T845	3
53	YC1-3001585	Valve flange	1
54	YC1-4299000	O-ring	6

TAV.7.0	GT INFLATING DEVICE	ED. 03/12
---------	---------------------	-----------

55	YC1-3001584	Valve spacer	5
56	YC1-3001583	Valve body	1
57	0305014	Plug 1/8	3
58	0306142	Quick union 8-1/8	1
59	0306138	90° quick union 6-1/8	1
60	0306136	Quick T union 8-1/8	1
61	YC2-2010781-1	Safety valve unit 3.5bar	1
62	306097	Rilsan hose 8X5 L=1000	3
63	YC2-2009718	GT valve unit	1
64	YC2-2014217	GT pneumatic unit	1



TAV.8.2	INFLATOR + LUBRICATION GROUP	ED. 03/12
---------	------------------------------	-----------

ITEM	PART NUMBER	DESCRIPTION	QTY	REMARK
1	YC2-2010781-1	Safety valve unit 3.5bar	1	
2	0306037	90° quick union 8-1/4	1	
3	0205013	Washer D.12 - GB/T97.1	1	
4	0307039	Pressure regulator 3.5bar	1	
5	0305014	Plug 1/8	1	
6	0306106	Pressure relief valve 1/8 5.5bar	1	
7	0306144	Quick union 8-1/4	1	
8	0306032	90° quick union 8-1/4	1	
9	0307065	Lubricator NL-200	1	
10	0306077	T union 1/4	1	
11	0306039	Quick union 8-1/4	1	
12	0306052	Pressure gauge	1	
13	0307065	Filter regulator NFR-200	1	
14	0306112	Quick union 1/4	1	
15	YC2-2012326-3	Lubricator + filter regulator GT	1	