

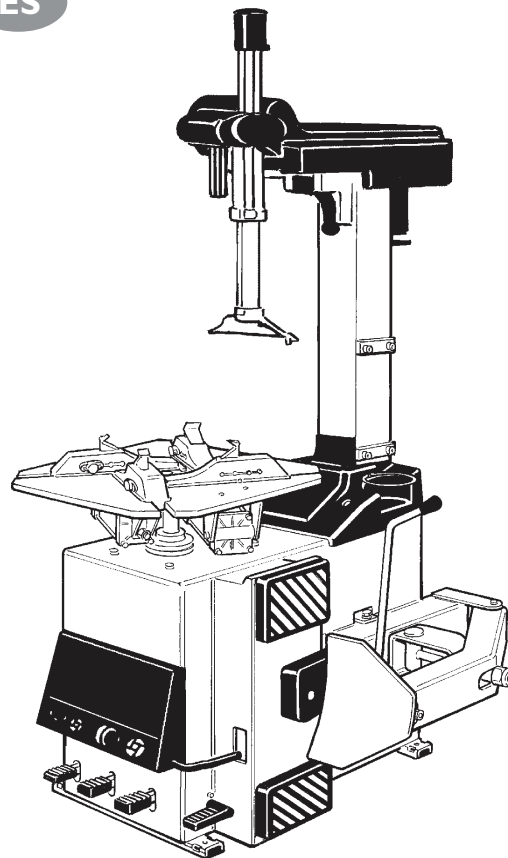


PANZITTA SALES & SERVICE
72 George Avenue
Wilkes-Barre, PA 18705
570-822-6720 800-822-6720
www.panzittasales.com

TIRE CHANGING MACHINE DESMONTA-NEUMATICOS

626T

EN
ES

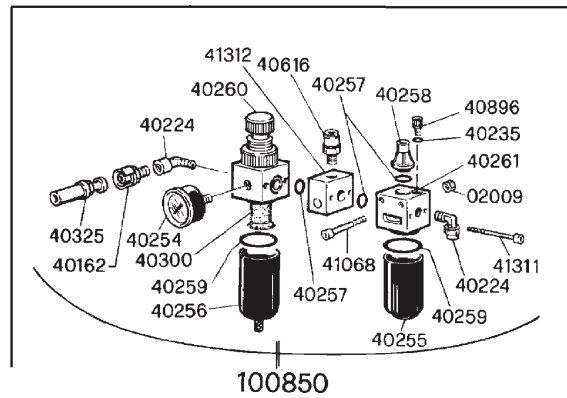
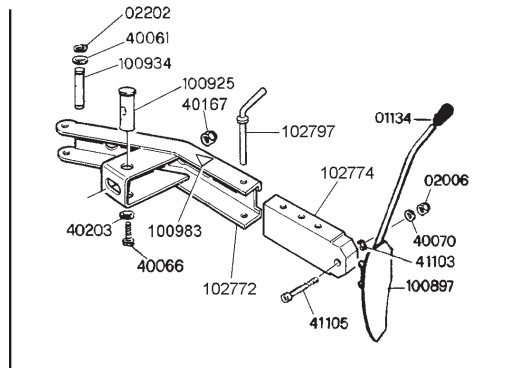
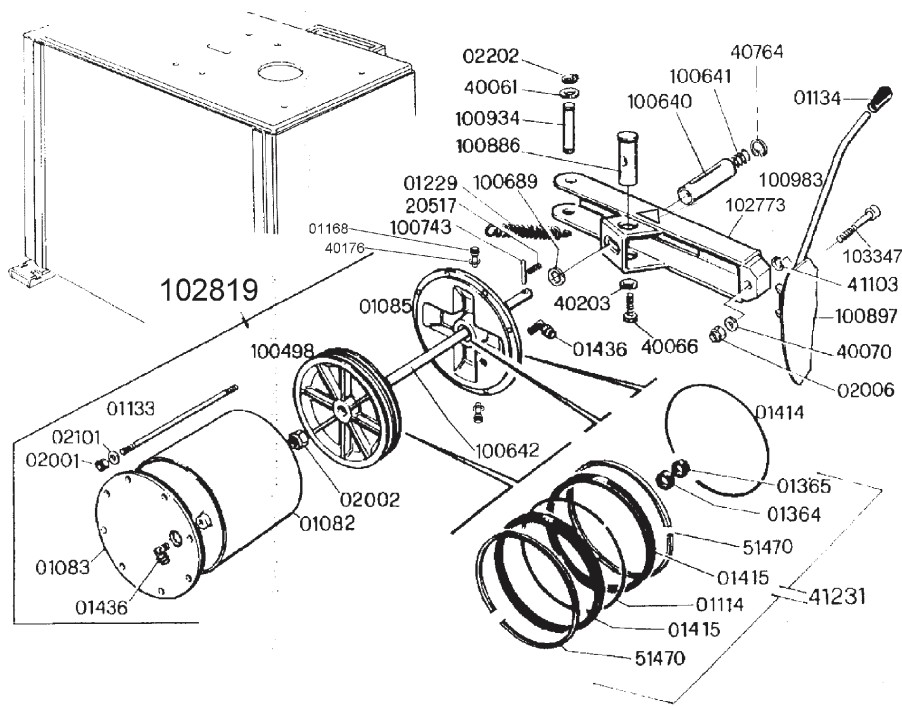


01110	CLAMP CONTROL ROD BUSHING	102119	ALUMINIUM REAR HEAD DIAM.75	40644	OR 3237
01363	30X17X0,3 WASHER	102120	CYLINDER PISTON DIAM.75	40669	CYLINDER PLUG
01368	1510 1/8 6X4 JOINT	102121	CYLINDER DIAM.75 20"	40670	LEVEL CAP
02001	NUT MA 8 934 5588	102333	PEDAL COVERING TUBE	40671	CAP EXTENSION
02003	LOW LOCKNUT M8 UNI 7474	102335	BASE COVER FOR FALCO/GRIFONE POLE	40672	SEALING RING
02005	NUT MA 8 936 5589	102683	FLAT BEAD LIFTING LEVER	40673	CLOSURE CAP 37X5
02012	NUT MA 10 934 5588	102771	26" SQUARE CHUCK	40674	ADJUST. SHIM 25,6 X 35,3
02101	WASHER BIS. UNI 6592 8 ZNT B.	102784	LOWER CLAMP GUIDE	40675	WORM
02102	CHANFERED WASHER 10 125 UNI 6592	102785	LOWER CLAMP GUIDE	40676	BEARING 6010
02110	CHAMFERED WASHER 8X24X1,5	102786	HIGHER CLAMP GUIDE	40677	12X8X40 TAB
05011	BEARING 30205	102787	GUIDE WITH SUPPORT	40678	CROWN SHAFT
05018	6X6X25 TAB	102831	PEDAL COVER	40679	ADJ. SHIM 50,3X70,3
100003	RUBBER FOOT	103190	COMPLETE CUTOFF FORK	40680	6010 BEARING
100047	TILTING POLE FULCRUM PIN	103306	BODY-BOX	40681	BARING 50X72X8
100093	HINGE PIN	103814	IT CLAMP POSITINING SUPPORT	40682	OPEN UPPER BOX
100200	CYLINDER BEARING	103815	SLOT CLOSING TABLE	40683	OPEN LOWER BOX
100225	NYLON GEAR PULLEY	103817	IT CLAMP + CONNECTOR	40692	8X25 SCREW
100493	SELF CENTERING BEARING SPACER	10502	8X25 SCREW UNI 5739	40745	OR RING 842
100515	MOTOR MOUNTING	20304	5X30 INNER HEX.HEAD	40749	OR RING 6187
100520	COMPLETE GEAR FOR TUBELESS CONNECTION	20505	8X16 INNER HEX.HEAD	40803	ALLUMINIUM RIVET 4X16
100560	ROTATING COLLECTOR SET	20510	8X20 SCREW UNI 5933	40832	SELF THREADED NUT 6,3X13
100563	6X4 L.700 AIR TUBE	20514	8X30 SCREW UNI 5739	41261	UNION ATR 2525
100570	CONTROL PLATE BUSHING	20516	6X10 SCREW	42107	BIDIRECTIONAL WASHER WITH COUPLER
100583	85X70X0,5 WASHER	20519	NUT MA10 936 5589	42109	LIP GASKET DE 300
100643	BEAD BREAKER BEARING	40016	10X40 SCREW	42132	ROD GUIDE RING
100654	BACK BEAD BREAKER BEARING	40037	FLAT WASHER 8,5X32X3	42143	GASKET KIT FOR SELF CENT. CHUCK ALU HEAD
100668	M10X180 SCREW	40061	CHAMFERED WASHER SIZE 16 125 UNI 6592	42176	CYLINDER CONNECTION (COD.41264+41265X2)
100758	RUBBER PROTECTION	40066	10X25 SCREW	42233	SCREW M8X30
100815	19" WEDGE CAP	40167	16X1,5 LOCKNUT	42234	TE UNI 5737 MA10X 55 8.8 PG PF BRT
100817	RUBBER SHOCK ABSORBER	40169	INNER HEX. HEAD 8X10	42244	ELASTIC PIN UNI 6873 5X20
100899	SIDE COVER	40171	FLAT WASHER 5X16X1,6	42278	SPLIT "R" DIAM. 2 LENGHT 53MM
101162	SEE P/N 102809 (2 PIECES)	40172	GROWER SIZE 5		
101237	INFERIOR PLATE FOR 20" SELF CENTERING	40174	COUNTER HEAD SCREW 6X8		
101239	UPPER PLATE FOR 20" SELF CENTERING CHUCK	40175	LOCKNUT MA 10 985 7474		
101341	GREASE BEARING KIT	40177	COTTER PIN 1,5X15		
102110	EUROCARGO WEDGE	40203	WASHER 10X40X2,5		
102115	CYLINDER ROD DIAM.75 20"	40316	PEDAL PROTECTION COVER		
102116	ALUMINIUM FRONT HEAD DIAM.75	40603	SHAFT OUTER SEEGER SIZE 70		
102117	STAY BOLT CYLINDER DIAM. 75 20"	40604	M10X150 SCREW		
102118	CYLINDER CHAMBER DIAM.75 20"	40606	M16X40 SCREW		

PANZITTA SALES & SERVICE
72 George Avenue
Wilkes-Barre, PA 18705
570-822-6720 800-822-6720
www.panzittasales.com

01052	COMPENSATING SHEET	100227	NYLON LOCKING CYLINDER CHAMBER	40088	6X8 SCREW UNI 5929
01080	SEE P/N 101370	100254	VERTICAL LOCKING COCK SET	40167	16X1,5 LOCKNUT
01127	LOCKING CONTROL HANDLE	100438	10,5X36X4 FLAT WASHER	40168	INNER HEX. HEAD UNI 5931
01165	TILTING ROD FULCRUM PIN	100510	PLASTIC ANTISHOCK RING	40171	FLAT WASHER 5X16X1,6
01183	RIGHT SECTOR	100530	GUIDE BUSHING	40177	COTTER PIN 1,5X15
01184	LEFT SECTOR	100584	SLIDING LOCKING FRONT LEVER	40196	FILTER 2921 1/8
01185	VERTICAL LOCKING ROD	100594	LOCKING CYLINDER BAR	40201	CONNECTION 320 1/8
01186	LOCK LAG ROLLER	100595	LOCKING CYLINDER	40270	SELF THREADED 3,9X19
01236	REAR PISTON RETURN SPRING	100683	RACING POLE	40272	SELF THREADED NUT 3,9X13 UNI 6954
01237	REAR SPRING CONN. PIN	100780	SLIDING ARM PROTECTION PANEL	40293	QUICK ROTATING CONN. 6X4 1/8
01239	LOCK LAG SPRING	100781	COMPLETE TOWER SMALL ROLLER	40299	HAMMER RIVET 3,5X13 UNI 7346
01250	TUBES FIXING PLATE	100884	FALCO VERTICAL ROD	40525	HEADLESS SCREW
01252	STIFFENER	100923	SPECIAL SCREW FOR TOWER	40718	UNION ART.350 1<78X6 CONE TAP ANGLE MC
01253	VERTICAL LOCKING CYLINDER CHAMBER	100982	STICK-ON LABEL	40745	OR RING 842
01262	SMALL ROLLER FOR REAR SLIDER	101124	REAR PROTECTION FOR LOCKING LEVER	40749	OR RING 6187
01285	PISTON RETURN SPRING	101156	TOWER STIFFENING SHIM	42107	BIDIRECTIONAL WASHER WITH COUPLER
01319	LOCKING CYLINDER PISTON	102116	ALUMINIUM FRONT HEAD DIAM.75	42109	LIP GASKET DE 300
01320	CYLINDER COVER	102119	ALUMINIUM REAR HEAD DIAM.75	42132	ROD GUIDE RING
01321	SPRING PRESSURE COVER	102120	CYLINDER PISTON DIAM.75	42143	GASKET KIT FOR SELF CENT. CHUCK ALU HEAD
01329	HORIZONTAL ARM STOP	102214	FALCO ARM WITH CYLINDER CLAMP		
01378	LOCK LAG ROLLER HOLDER	102305	TILTING POLE CYLINDER		
01380	LIP GASKET SIZE 64 DE 250	102306	TILTING POLE CYLINDER CHAMBER DIAM.75		
01384	"L" SHAPED CONN. 1500 1/8 6X4	102331	SLIDING ARM PROTECTION		
01387	SEE P/N 100254	102334	ARM PROTECTION SHAFT		
01388	GASKET CLAMPING RING SIZE 12	102647	SHORT TOWER SET GROUP		
01389	LIP GASKET SIZE 12	103251	CYLINDER COCK PROTECTION		
01435	LIP GASKET SIZE 105 DE 412	103264	LEFT VERTICAL LOCKING CYLINDER		
02001	NUT MA 8 934 5588	103378	CYLINDER PISTON		
02006	LOCKNUT M12	20201	4X25 INNER HEX.HEAD		
02101	WASHER BIS. UNI 6592 8 ZNT B.	20301	5X10 INNER HEX.HEAD		
02107	SEE P/N 40070	20303	5X25 INNER HEX.HEAD		
02202	SEEGER 16	20402	6X20 INNER HEX.HEAD		
100048	VERTICAL ARM RETURN SPRING	20505	8X16 INNER HEX.HEAD		
100067	SPRING PRESSURE CAP	20513	8X30 INNER HEX.HEAD		
100090	TIE ROD	20515	10X30 SCREW UNI 5739		
100093	HINGE PIN	20701	12X100 INNER HEX.HEAD		
100094	RUBBER SPRING	40004	MA 12 936 5589 NUT		
100202	CYLINDER FORK	40032	KOCKNUT M10 7473		
100203	STEM	40037	FLAT WASHER 8,5X32X3		
100206	ANTI-TILTING RING	40046	GREASER		

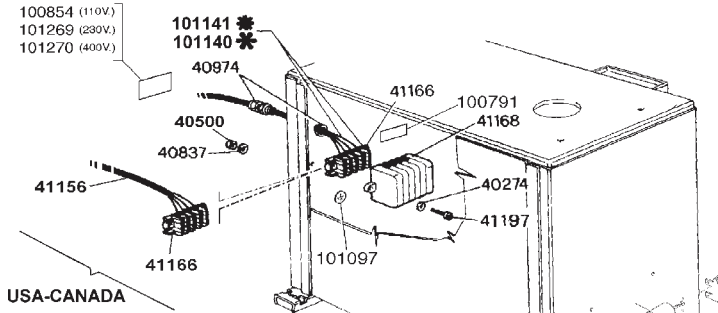
PANZITTA SALES & SERVICE
72 George Avenue
Wilkes-Barre, PA 18705
570-822-6720 800-822-6720
www.panzittasales.com



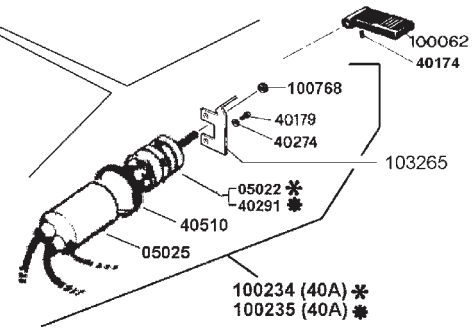
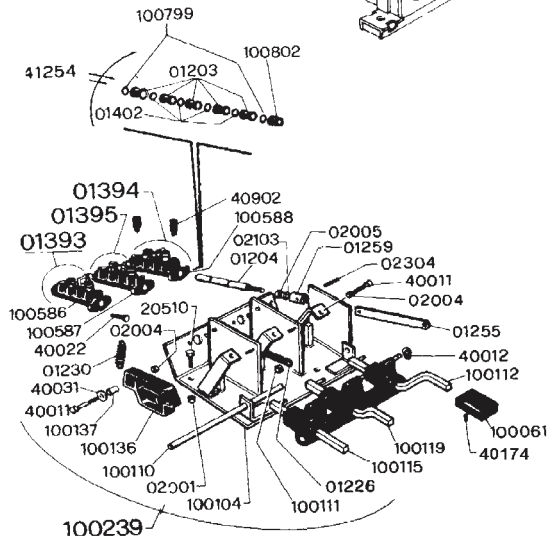
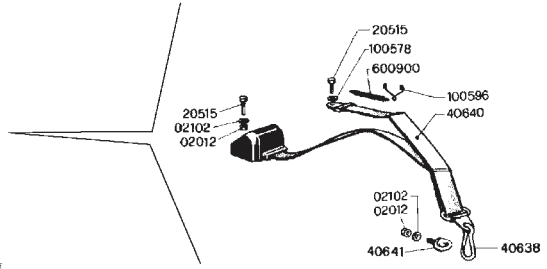
PANZITTA SALES & SERVICE
72 George Avenue
Wilkes-Barre, PA 18705
570-822-6720 800-822-6720
www.panzittasales.com

01082	BEAD BREAKER CYLINDER CHAMBER	40176	TOOTHED WASHER SIZE 14
01083	BEAD LOOSENER CYLINDER REAR FLANGE	40203	WASHER 10X40X2,5
01085	BEAD LOOSENER CYLINDER FRONT FLANGE	40764	INTERNAL RING DIM.22
01114	BEAD BREAKER PISTON-RING	41103	CORRUGATED SPRING WASHER DIN 137/B 12
01133	BEAD BREAKER TIE ROD	41105	12X90 INNER HEX HEAD UNI 5931
01134	HANDLE FOR PIN SIZE 12	41231	BEAD BREAKER CYLINDER GASKET SERIES
01229	BEAD BREAKING ARM RETURN SPRING	51470	BEAD BREAKER ANTITILTING RING
01364	LIP GASKET SIZE 18		
01365	GASKET CLAMPING RING 18		
01414	OR GASKET 180X2		
01415	LIP GASKET SIZE 184		
01436	"L" SHAPED CONN. 1500 6X8 1/8		
0168	AIR HOSE 8X6 L.60		
02001	NUT MA 8 934 5588		
02002	LOCKNUT MA 14 982 7473		
02006	LOCKNUT M12		
02101	CHANFERED WASHER 8 125 UNI 6592		
02202	SEEGER 16		
100498	BEAD BREAKER CYL. PISTON		
100640	TELESCOPE		
100641	TELESCOPE SPRING		
100642	RACING BEAD BREAKER CYLINDER ROD		
100689	SHOCKPROOF WASHER		
100743	BEAD BREAKER CYLINDER ROD SPRING		
100886	RACING PIN FOR SWIVEL JOINT		
100897	BEAD BREAKER TOOL		
100925	PIN FOR SWIVEL JOINT		
100934	BEAD BREAKER ARM PIN		
100983	STICK-ON LABEL		
102772	3 POSITIONS BEADBREAKER ARM		
102773	FIXED BEADBREAKER ARM		
102774	BRAKER ARM EXTRACTABLE PART		
102797	COMPLETE CUTOFF PIN		
102819	SCREWS RACING BEAD BREAKER CYLINDER		
103347	SCREW FOR BEAD BREAKER BLADE		
20517	6X10 SCREW		
40061	CHAMFERED WASHER SIZE 16 125 UNI 6592		
40066	10X25 SCREW		
40070	CHAMFERED WASHER SIZE 12		
40167	16X1,5 LOCKNUT		

PANZITTA SALES & SERVICE
72 George Avenue
Wilkes-Barre, PA 18705
570-822-6720 800-822-6720
www.panzittasales.com



USA-CANADA



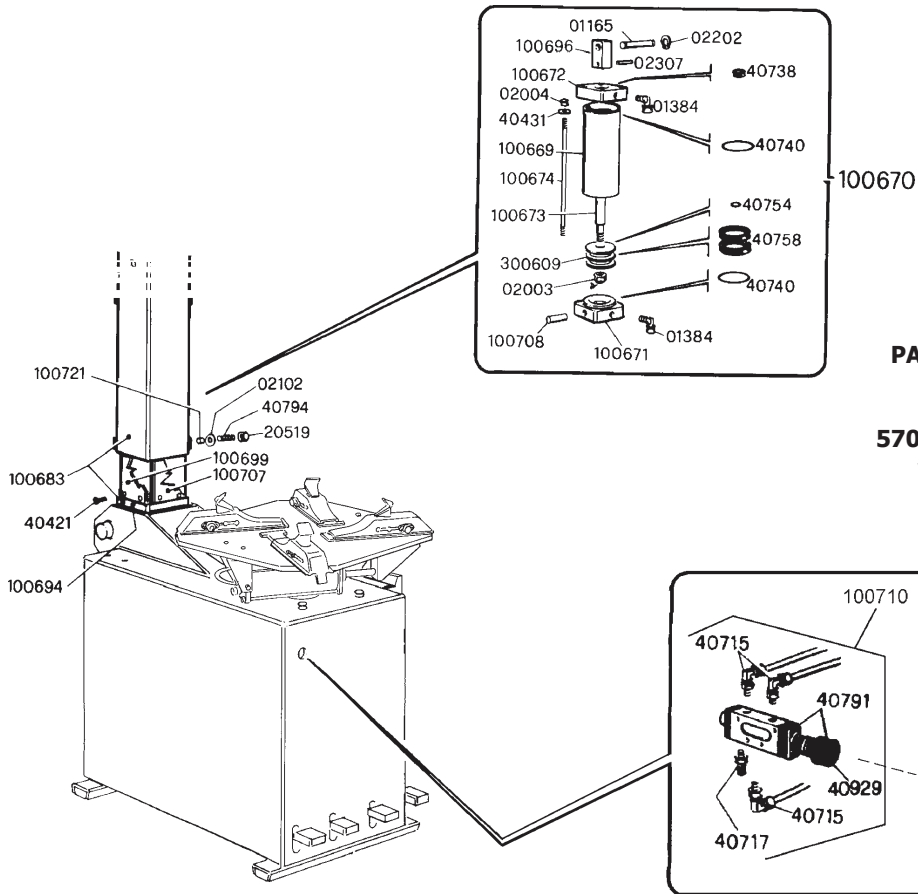
* 1Ph

* 3Ph

PANZITTA SALES & SERVICE
 72 George Avenue
 Wilkes-Barre, PA 18705
 570-822-6720 800-822-6720
 www.panzittasales.com

01203	OR SPACER	100802	PIN GUIDE WASHER
01204	COCK ROD	100854	STICK-ON LABEL SIZE CM.60X120
01226	PEDAL RETURN SPRING	101097	STICK-ON LABEL
01230	TRIGGER RETURN SPRING	101140	4-POLE TERMINAL BOX 1 OUTPUT 3PH-CABLE
01255	COCK ROD	101141	4-POLE TERMINAL BOX 1 OUTPUT 1PH-CABLE
01259	COCK ROD FORK	101269	STICK-ON LABEL V230 30X120
01393	TILTING POLE COCK	101270	STICK-ON LABEL V400 30X120
01394	BEAD BREAKER COCK	103265	DOUBLE VERTICAL LOCK
01395	SELF CENTERING COCK	20510	8X20 SCREW UNI 5933
01402	OR GASKET 16X8X4	20515	10X30 SCREW UNI 5739
02001	NUT MA 8 934 5588	40011	6X25 SCREW UNI 5739
02004	NUT MA 6 934 5588	40012	SEEGER SIZE 6 471 UNI 7435
02005	NUT MA 8 936 5589	40022	6X10 SCREW UNI 5739
02012	NUT MA 10 934 5588	40031	FLAT WASHER
02102	CHANFERED WASHER 10 125 UNI 6592	40174	COUNTER HEAD SCREW 6X8
02103	TOOTHED WASHER SIZE 8	40179	SLOTTED SCREW 3X10
02304	SPRING COTTER 4X16 1481 UNI 6873	40274	TOOTHED WASHER SIZE 4 UNI 6798
05022	THREE-PHASE INVERTER 279	40291	BREMAS SINGLE PHASE INVERTER 4585
05025	BREMAS PROTECTION COVER	40500	BRASS NUT M4
100061	PEDAL	40510	LEGRAND BAND 5X290
100062	INVERTER PEDAL	40638	SNAPLINK
100104	PEDAL BODY	40640	SAFETY BELT ART.7585525
100110	PEDAL PIN	40641	QUICK SAFETY HOOK
100111	NYLON SPACER	40837	CHAMFERED WASHER DIN 125 UNI 6592 4 ZNT
100112	BEAD LOOSENER CONTROL PEDAL	40902	PLASTIC SILENCER 1/4
100115	TILTING POLE CONTROL PEDAL	40974	NYLON CABLE PRESS PG11
100119	SELF CENTERING CONTROL PEDAL	41156	POWER SUPPLY ELECTRICAL CABLE
100136	NYLON TRIGGER	41166	4 POLE (ALL "G") STRIP
100137	TRIGGER SPACER	41168	PA262 (4 POLE ABS) COVER
100234	THREE-PHASE CABLE INVERTER	41197	4X16 SCREW
100235	SINGLE PHASE CABLE INVERTER	41254	COCK GASKETS KIT
100239	PEDAL SET FOR FALCO	600900	ROD RETURN SPRING
100578	SPRING CONN. PLATE		
100586	SEE P/N 01393		
100587	SEE P/N 01395		
100588	SEE P/N 01394		
100596	SPRING STRETCHER HOOK		
100768	INVERTER ROD GUIDE BUSHING		
100791	STICK-ON LABEL SIZE CM.12X80		
100799	WASHER FOR PEDALS COCK 15,37X7,8X1,5		

PANZITTA SALES & SERVICE
72 George Avenue
Wilkes-Barre, PA 18705
570-822-6720 800-822-6720
www.panzittasales.com



PANZITTA SALES & SERVICE
72 George Avenue
Wilkes-Barre, PA 18705
570-822-6720 800-822-6720
www.panzittasales.com

01165	TILTING ROD FULCRUM PIN
01384	"L" SHAPED CONN. 1500 1/8 6X4
02003	LOW LOCKNUT M8 UNI 7474
02004	NUT MA 6 934 5588
02102	CHAMFERED WASHER 10 125 UNI 6592
02202	SEEGER 16
02307	SPRING COTTER 4X26
100669	CYLINDER CHAMBER
100670	RACING CLIMBING CYLINDER
100671	BACK CYLINDER FLANGE
100672	FRONT CYLINDER FLANGE
100673	ROD
100674	CLIMBING POLE CYLINDER TIE ROD
100683	RACING POLE
100694	INFERIOR RACING POLE
100696	CYLINDER FORK
100699	SLIDING STEEL TAPE 90X0,5X460
100707	SLIDING STEEL TAPE 90X1X460
100708	RACING CYLINDER POLE INFERIOR PIN
100710	LIFTING POLE SWITCH CONTROL GROUP
100721	BRASS LINING
101590	RACING PROTECTION COCK (BLACK)
20519	NUT MA10 936 5589
300609	TOOL HOLDER CYL.PISTON
40421	TSEI SCREW M6X20
40431	CHAMFERED WASHER 6,5X18X2,8
40715	JOINT ART.350G 1/8-6
40717	EXHAUST ADJUSTER ART.315 1/8 WITH MUFFLE
40738	GACO GASKET DI 050
40740	OR GASKET 133
40754	OR RING 2015
40758	GASKET DEM 50
40791	ELECTROVALVE 1/8 5/2 WITH ROTATING LEVER
40794	10X20 INNER HEX. HEAD
40929	ACTUATOR AI3520

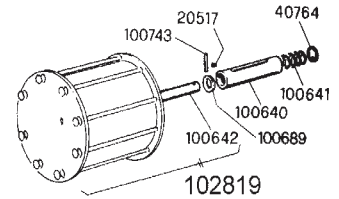
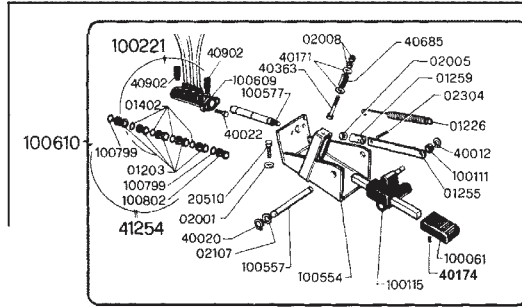
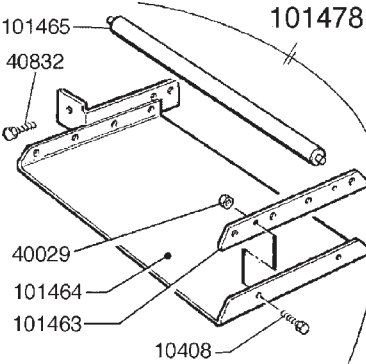
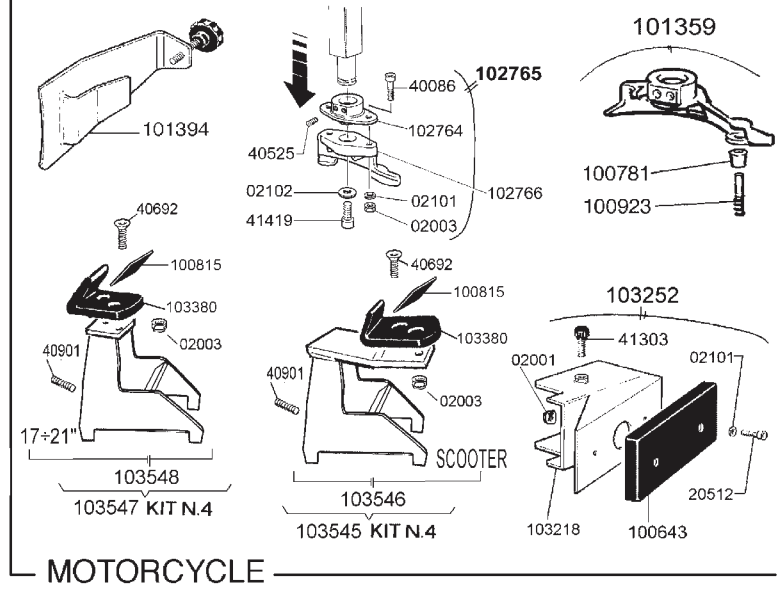
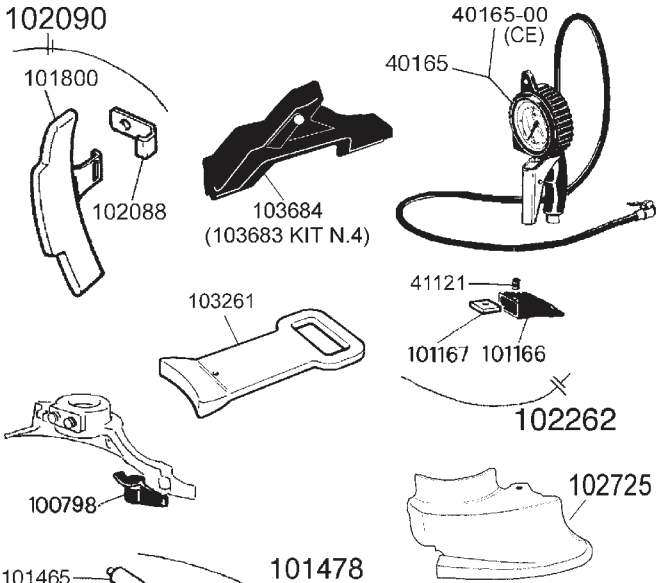
PANZITTA SALES & SERVICE
72 George Avenue
Wilkes-Barre, PA 18705
570-822-6720 800-822-6720
www.panzittasales.com

01203 OR SPACER
 01226 PEDAL RETURN SPRING
 01255 COCK ROD
 01259 COCK ROD FORK
 01368 1510 1/8 6X4 JOINT
 01402 OR GASKET 16X8X4
 02001 NUT MA 8 934 5588
 02004 NUT MA 6 934 5588
 02005 NUT MA 8 936 5589
 02008 NUT MA 5 934 5588
 02012 NUT MA 10 934 5588
 02101 WASHER BIS. UNI 6592 8 ZNT B.
 02102 CHAMFERED WASHER 10 125 UNI 6592
 02104 CHAMFERED WASHER 6 125 UNI 6592
 02107 SEE P/N 40070
 02304 SPRING COTTER 4X16 1481 UNI 6873
 100061 PEDAL
 100111 NYLON SPACER
 100115 TILTING POLE CONTROL PEDAL
 100221 BEAD BREAKER COCK C84
 100228 8X6 AIR HOSE
 100554 PEDAL BODY
 100557 PEDAL MOUNTING
 100565 TUBELESS INFLATOR TANK WITH PLATE
 100577 TUBELESS COCK ROD
 100578 SPRING CONN. PLATE
 100596 SPRING STRETCHER HOOK
 100597 ROTATING COLLECTOR FOR INFL.
 100599 COLLECTOR BEARING
 100609 SEE P/N 100221
 100610 FALCO IT PEDAL GROUP
 100614 TANK GROUP FOR TUBELESS INFL.
 100799 WASHER FOR PEDALS COCK 15,37X7,8X1,5
 100802 PIN GUIDE WASHER
 100806 508 IT METAL PEDAL COVER
 100845 GAUGE GROUP FOR TUBELESS INFL.
 100848 ROTATING COLLECTOR+HOSE HOLDER FOR IT
 100850 REG.FILTER+LUBR.SET
 100855 VALVE GROUP FOR TUBELESS INFL.
 100856 GAUGE BEARING

100899 SIDE COVER
 101131 1/4" PRESSURE REG.039 04R 3,5 BAR+VAL
 101160 STICK ON LABEL 40X60
 101412 POLYVALENT VALVE SUPPORT
 101480 SLEEVE
 101780 LIMITING PRESSURE REGATOR
 10407 6X14 SCREW UNI 5739
 20510 8X20 SCREW UNI 5933
 20515 10X30 SCREW UNI 5739
 40012 SEEGER SIZE 6 471 UNI 7435
 40020 PIN SEEGER SIZE 12
 40022 6X10 SCREW UNI 5739
 40040 INNER HEX. HEAD 6X35
 40171 FLAT WASHER 5X16X1,6
 40174 COUNTER HEAD SCREW 6X8
 40179 SLOTTED SCREW 3X10
 40224 CONNECTION 1500 6X8 1/4
 40363 5X40 INNER HEX. HEAD
 40382 WATER DISCHARGE COCK 1/4
 40494 6X25 INNER HEX. HEAD
 40516 JUNCTION ART.1500 1/4 6X4
 40616 QUICK COUPLING 6X8 1/4
 40617 1/4 A WAY DISTRIBUTION BLOCK
 40618 1/4 ZE 003101 SAFETY VALVE
 40620 3/4 ANGLE
 40621 HOSE JUNCTION 3/4X20
 40622 TUBE FASTENER 22X31
 40623 20X31 HOSE 18BAR
 40624 L480 HOSE 18BAR
 40625 1" BLOW VALVE
 40626 HEX. GEAR
 40627 1" HOSE CONN. ELBOW
 40635 QUICK COUPLING
 40636 AIR TUBE 6X4 L.80
 40638 SNAPLINK
 40640 SAFETY BELT ART.7585525
 40641 QUICK SAFETY HOOK
 40642 AIR DISCHARGE PUSH
 40643 INFLATION COMPLETE HOSE
 40685 RUBBER SPRING 16X6,5X25

40704 OR GASKET 3093
 40709 "T" CONNECTION 8/6
 40832 SELF THREADED NUT 6,3X13
 40902 PLASTIC SILENCER 1/4
 40907 HEX. OT CAP M.Z. 1" FOR IT BOTTLE
 40967 CONIC NIPPLE 1/4 3/8
 41082 GAUGE SIZE 80
 41180 1/8 3,5BAR SAFETY VALVE
 41254 COCK GASKETS KIT
 600900 ROD RETURN SPRING

PANZITTA SALES & SERVICE
72 George Avenue
Wilkes-Barre, PA 18705
570-822-6720 800-822-6720
www.panzittasales.com



ASR



PANZITTA SALES & SERVICE
 72 George Avenue
 Wilkes-Barre, PA 18705
 570-822-6720 800-822-6720
 www.panzittasales.com

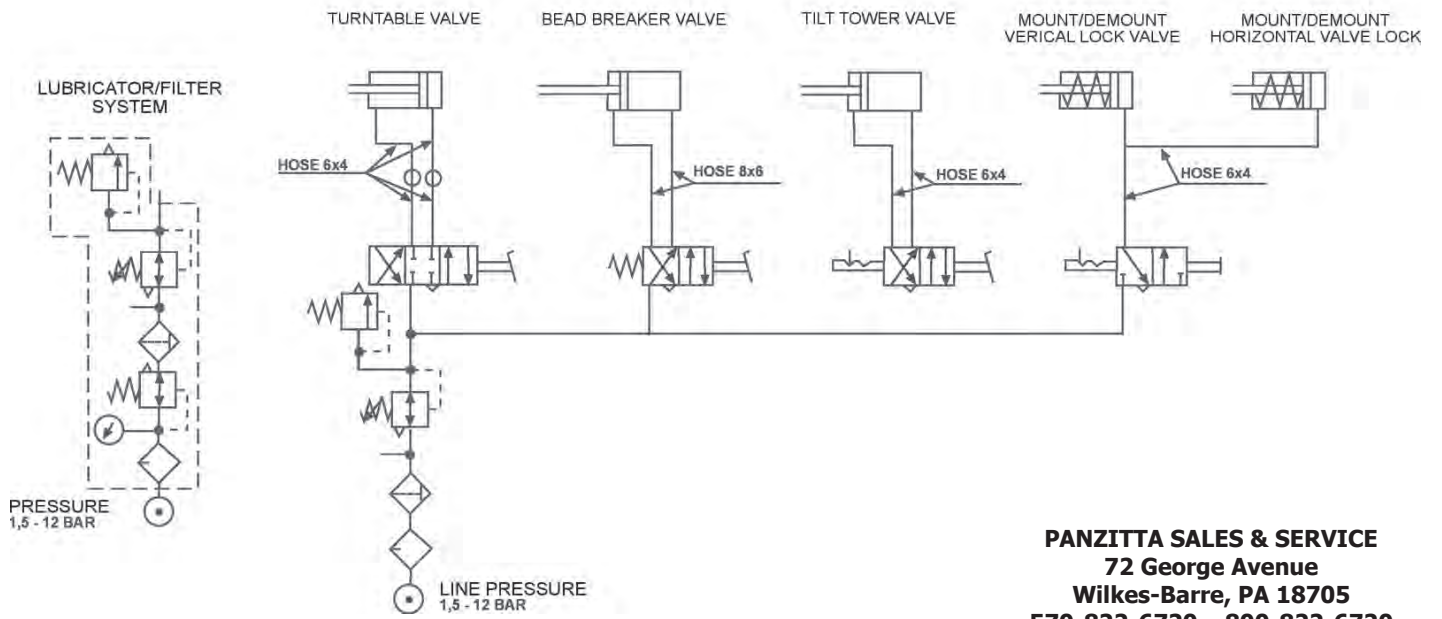
01203 OR SPACER
 01226 PEDAL RETURN SPRING
 01255 COCK ROD
 01259 COCK ROD FORK
 01402 OR GASKET 16X8X4
 02001 NUT MA 8 934 5588
 02003 LOW LOCKNUT M8 UNI 7474
 02005 NUT MA 8 936 5589
 02008 NUT MA 5 934 5588
 02101 WASHER BIS. UNI 6592 8 ZNT B.
 02102 CHANFERED WASHER 10 125 UNI 6592
 02107 SEE P/N 40070
 02304 SPRING COTTER 4X16 1481 UNI 6873
 100061 PEDAL
 100111 NYLON SPACER
 100115 TILTING POLE CONTROL PEDAL
 100221 BEAD BREAKER COCK C84
 100554 PEDAL BODY
 100557 PEDAL MOUNTING
 100577 TUBELESS COCK ROD
 100609 SEE P/N 100221
 100610 FALCO IT PEDAL GROUP
 100640 TELESCOPE
 100641 TELESCOPE SPRING
 100642 RACING BEAD BREAKER CYLINDER ROD
 100643 BEAD BREAKER BEARING
 100689 SHOCKPROOF WASHER
 100743 BEAD BREAKER CYLINDER ROD SPRING
 100781 COMPLETE TOWER SMALL ROLLER
 100798 TOLLER TAB
 100799 WASHER FOR PEDALS COCK 15,37X7,8X1,5
 100802 PIN GUIDE WASHER
 100815 19" WEDGE CAP
 100923 SPECIAL SCREW FOR TOWER
 101166 PLASTIC LEVER COVER
 101167 PLATE
 101359 MOTORCYCLE MOUNTING-HEAD
 101394 MOTORCYCLE BEADBREAKER TOOL ADAPTER
 101463 6 HOLES BLADE
 101464 ROLLER BED BASIC METAL PLATE

101465 ROLLER
 101478 ROLLER BED
 101800 SEE P/N 102090
 102088 FIXING PLATE FOR BEAD BREAKER PROTECTION
 102090 BEADBREAKER TOOL NYLON PROTECTION KIT
 102262 PREASSING BEAD-KIT
 102725 MOUNTING-HEAD PROTECTION
 102764 MOUNTING-HEAD SUPPORT
 102765 MOUNTING-HEAD SUPPORT GROUP
 102766 PLASTIC MOUNTING-HEAD
 102819 SCREWS RACING BEAD BREAKER CYLINDER
 103218 MOTORCYCLE BEADBREAKER SUPPORT
 103252 MOTORCYCLE BEADBREAKER SUPPORT GROUP
 103261 LOW ZEPPA
 103380 CLAMP UPPER SIDE
 103545 26" SCOOTER CLAMPS KIT
 103546 26" SCOOTER CLAMPS KIT
 103547 26" MOTORCYCLE CLAMPS KIT
 103548 26" MOTORCYCLE CLAMPS KIT
 103683 SLIDE GUARD KIT FOR 26"
 103684 26" SLIDE GUARD KIT PROTECTION
 10408 6X20 SCREW UNI 5739
 20510 8X20 SCREW UNI 5933
 20512 8X20 INNER HEX.HEAD
 20517 6X10 SCREW
 40012 SEEGER SIZE 6 471 UNI 7435
 40020 PIN SEEGER SIZE 12
 40022 6X10 SCREW UNI 5739
 40029 LOCKNUT MA6 985 7474
 40086 8X35 INNER HEX. HEARD
 40165 INFLATING GUN
 40165-00 CEE INFLATING GUN
 40171 FLAT WASHER 5X16X1,6
 40174 COUNTER HEAD SCREW 6X8
 40363 5X40 INNER HEX. HEAD
 40525 HEADLESS SCREW
 40685 RUBBER SPRING 16X6,5X25
 40692 8X25 SCREW
 40764 INTERNAL RING DIM.22
 40832 SELF THREADED NUT 6,3X13

40901 FILLISTER HEAD HEX SCREW 10X40
 40902 PLASTIC SILENCER 1/4
 41121 STEI UNI 5923 M10X10 BURNISHED
 41254 COCK GASKETS KIT
 41303 ELESA KNOB
 41419 INNER HEX. HEAD CAP SCREW 10X25

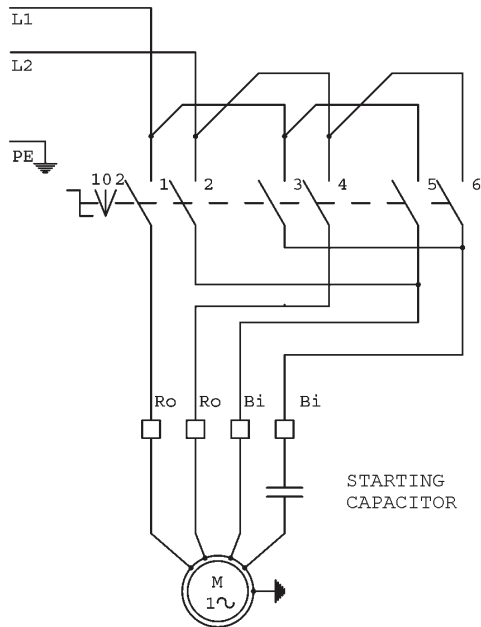
PANZITTA SALES & SERVICE
72 George Avenue
Wilkes-Barre, PA 18705
570-822-6720 800-822-6720
www.panzittasales.com

PNEUMATIC SCHEMATIC



PANZITTA SALES & SERVICE
72 George Avenue
Wilkes-Barre, PA 18705
570-822-6720 800-822-6720
www.panzittasales.com





TRANSMISSION MOTOR

Q-1

X			X	X	X	2	POS.
X	X	X	X			1	
1	2	3	4	5	6	CONT.	
I	II	III	ELEM.				

- 1- COUNTER ROTATION
- 2- COUNTER CLOCKWISE

PANZITTA SALES & SERVICE
 72 George Avenue
 Wilkes-Barre, PA 18705
 570-822-6720 800-822-6720
 www.panzittasales.com

TABLE NUMBER : 100183	DATA	DIS
	21/11/02	PEL
1 Ph - 1 speed		

