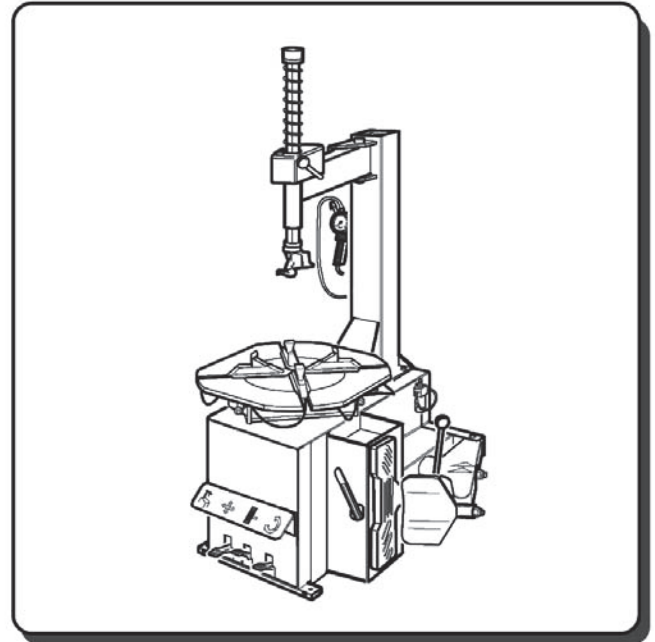




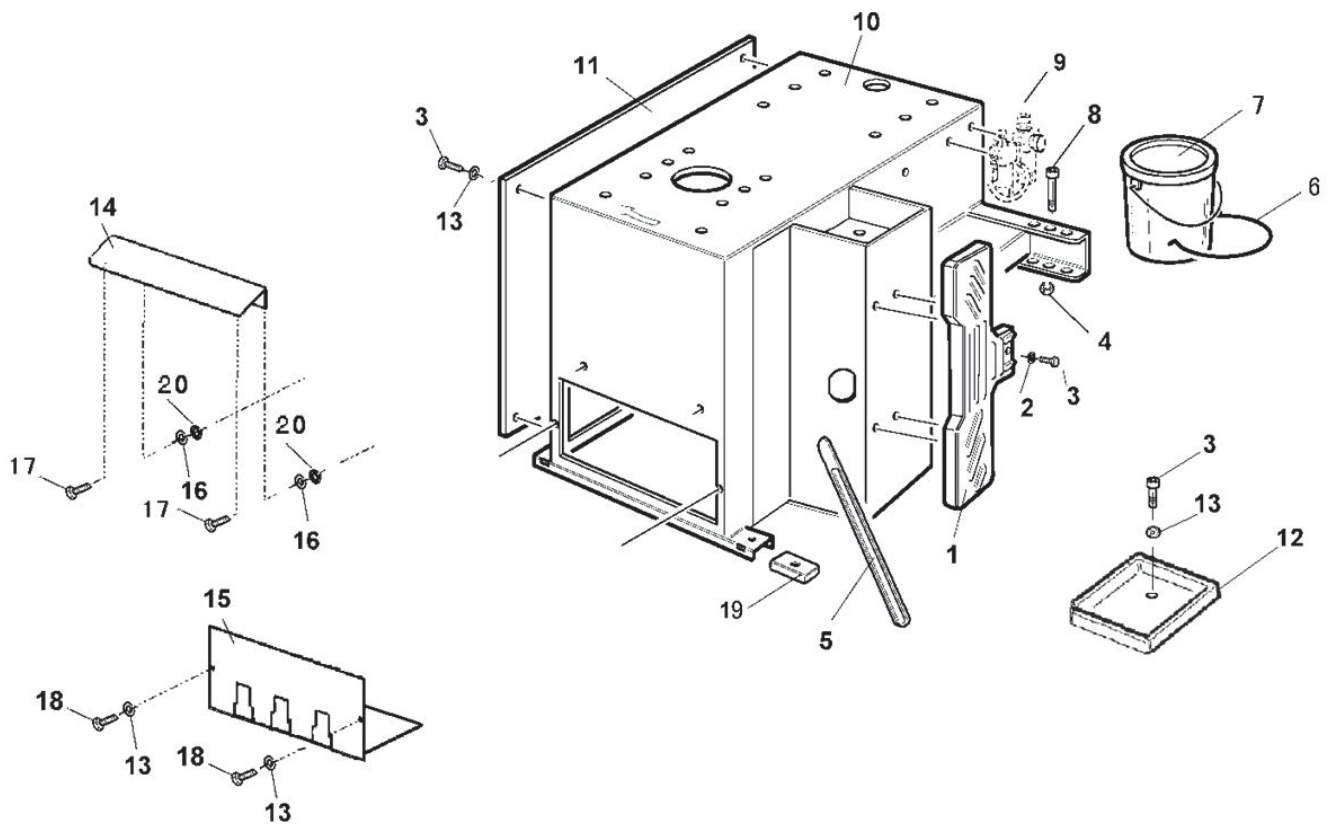
ED. 07/2008

PART CATALOGUE
TC-221XL/TC-229
SEMI-AUTOMATIC TIRE CHANGER

PANZITTA SALES & SERVICE
72 George Avenue
Wilkes-Barre, PA 18705
570-822-6720 800-822-6720
www.panzittasales.com



TAV.1-2	BODY	ED. 07/08
---------	------	-----------



PANZITTA SALES & SERVICE
72 George Avenue
Wilkes-Barre, PA 18705
570-822-6720 800-822-6720
www.panzittasales.com

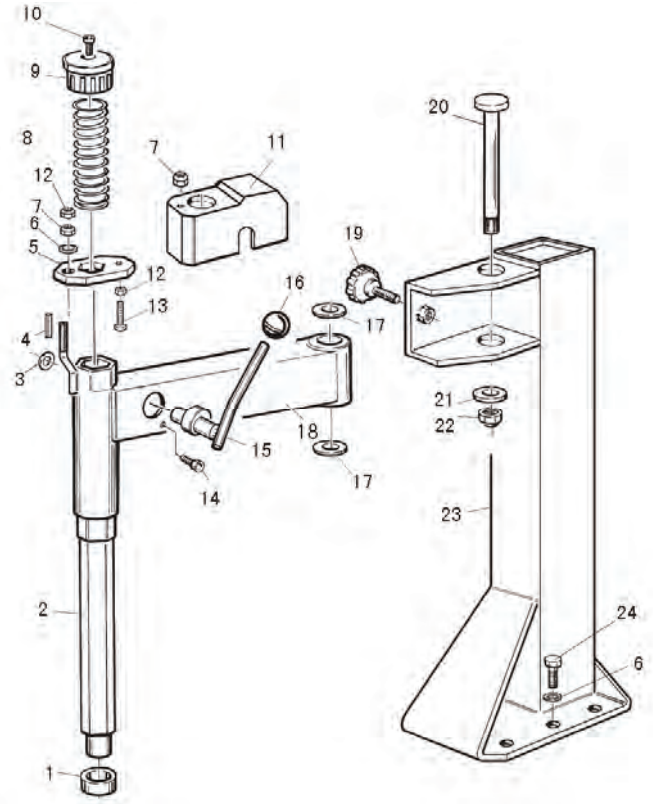
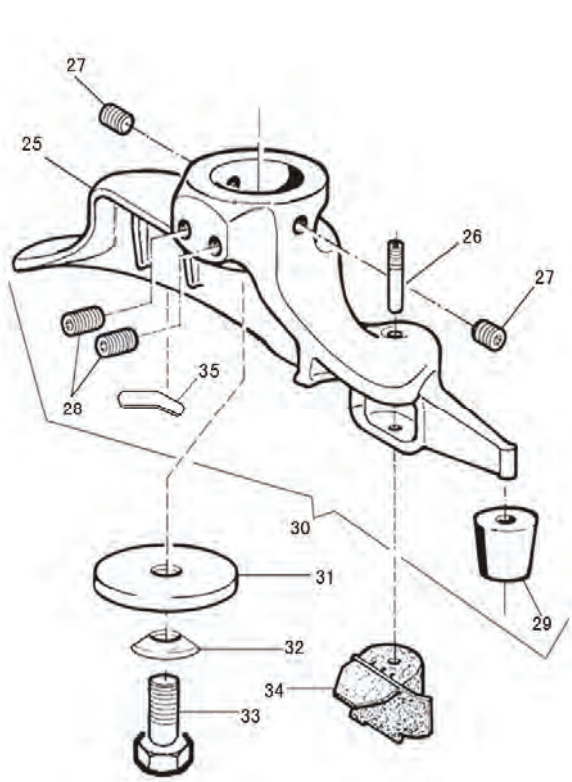
PANZITTA SALES & SERVICE
72 George Avenue
Wilkes-Barre, PA 18705
570-822-6720 800-822-6720
www.panzittasales.com

TAV.1-2	BODY	ED. 07/08
----------------	-------------	------------------

ITEM	CODE	REF. NO	DESCRIPTION	QTY	REMARK
1	3002102	YC1-3002102	Wheel support	1	
2	4398848	GB/T96	Washer 6	4	
3	4398108	GB/T70.1	Self-tapping screw	9	
4	4399971	GB/T6182	Self-locking nut	1	
5	3006970	YC1-3006970	Bead lifting lever	1	
6	3000069	YC1-3000069	Spring	1	
7	4299984	YC1-4299984	Grease cup	1	
8	4398925	GB/T70.1	Screw	1	
9			Air lubricator	1	
10	2118258	202W-2418258	shell	1	
11	2101800	YC1-3001800	Side cover	1	
12	3018260	202W-3018260	ABS cover	1	
13	4399998	GB/T97.1	Washer 6	7	
14	3011970	YC1-3011970-1	Pedal cover	1	
15	6612080	YC1-3012080	Pedal support	1	
16	4399828	GB/T97.1	Washer 8	2	
17		GB/T5783	Screw	2	
18	4398723	GB/T70.1	Screw	2	
19	3002099	YC1-3002099	Plastic foot	4	
20	4399976	GB/T6170	Nut	2	

PANZITTA SALES & SERVICE
72 George Avenue
Wilkes-Barre, PA 18705
570-822-6720 800-822-6720
www.panzittasales.com

TAV.2.2	HORIZ. AND VERT. ARMS	ED. 07/08
---------	-----------------------	-----------



PANZITTA SALES & SERVICE
72 George Avenue
Wilkes-Barre, PA 18705
570-822-6720 800-822-6720
www.panzittasales.com

TAV.2.2		HORIZ. AND VERT. ARMS			ED. 07/08
ITEM	CODE	REF. NO	DESCRIPTION	QTY	REMARK
1	3002601	YC1-3002601	Mounting head shock absorber	1	
2	3015586	YC1-3015586	Hexagonal arm	1	
3	4398807	GB/T97.1	Washer 14	1	
4	4398783	GB/T879.2	Elastic pin 4X25	1	
5	3015567	YC1-3015567	Arm locking plate	1	
6	4398633	GB/T97.1	Washer 10	7	
7	4399971	GB/T6182	Self-locking nut	2	
8	3005407	YC1-3005407	Spring	1	
9	3001759	YC1-3001759	Operating arm knob	1	
10	4399134	GB/T70.1	Screw	1	
11	3012631	YC1-3012631	Arm frame	1	
12	4399967	GB/T6172	Nut	2	
13	4398900	GB/T5783	Screw	1	
14	4399964	GB/T70.1	Screw	1	
15	2107085	YC1-2407085	Arm locking lever	1	
16	4299952	YC1-4299952	Knob	1	
17	4397898	YC1-4397898	Steel shim	3	
18	6615589	YC1-2415589	Horizontal arm	1	
19	3000487	YC1-3000487	Hand wheel	1	
20	3015565	YC1-3015565	Pivot	1	
21	3007352	YC1-3007352	Washer	1	
22	4399963	GB/T6182	Self-locking nut	1	
23	2112123	YC1-2412123	Vertical arm	1	
24	4399877	GB/T5782	Screw	6	
25	Use #30	YC1-2002215	Mount/Demount Tool	1	
26	3009018	YC1-3009018	Special pin D.5 M6	1	

PANZITTA SALES & SERVICE
72 George Avenue
Wilkes-Barre, PA 18705
570-822-6720 800-822-6720
www.panzittasales.com

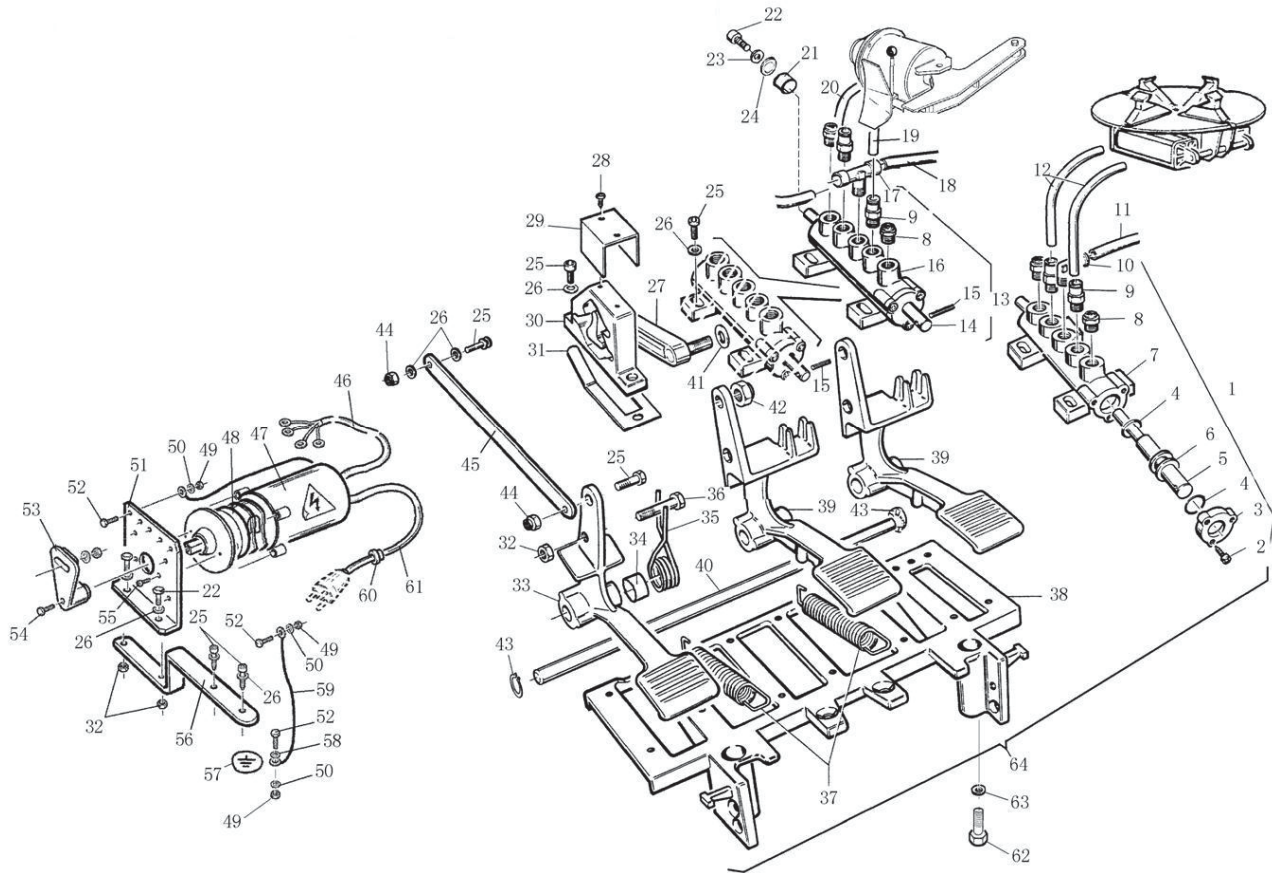
TAV.2.2		HORIZ. AND VERT. ARMS			ED. 07/08
27	5395530	GB/T80	Screw	2	
28	4395805	GB/T77	Screw	2	
29	3000215	YC1-3000215	Peak roll Mounting	1	
30	2002215	YC1-2002215	Mount/Demount Head	1	
31	4395804	YC1-4395804	Large Washer	1	
32	4395805	YC1-4395805	Small Washer	1	
33	0201059	0201059	Bolt	1	
34	3006689	YC1-3006689	Plastic insert Tool	1	
35	3013650	YC1-3013650	protection	1	

PANZITTA SALES & SERVICE
72 George Avenue
Wilkes-Barre, PA 18705
570-822-6720 800-822-6720
www.panzittasales.com

TAV.3.2

PEDAL BOX

ED. 07/08



PANZITTA SALES & SERVICE
72 George Avenue
Wilkes-Barre, PA 18705
570-822-6720 800-822-6720
www.panzittasales.com

TAV.3.2	PEDAL BOX	ED. 07/08
---------	-----------	-----------

ITEM	CODE	REF. NO	DESCRIPTION	QTY	REMARK
1	2002529	YC1-2002529	Valve unit	1	
2	4398999	GB/T845	Self-tapping screw ST3.5X13	6	
3	3001585	YC1-3001585	Flange for valve 3001583	2	
4	4299000	YC1-4299000	O-ring 17X4	12	
5	3002442	YC1-3002442	Valve pin	1	
6	3001584	YC1-3001584	Spacer for valve 3001583	10	
7	3001583	YC1-3001583	Distribution valve	2	
8	4199843	YC1-4899843	Silencer outlet adjuster G1/8"	4	
9	4198954		Quick union 1/8" - 8	4	
10	4198990		Quick union 1/8" - 8	1	
11	3002446		Rilsan hose D8/5 L=80	1	
12	3099335		Rilsan hose D8/5 L=750	2	
13	2006297	YC1-2006297	Valve unit	1	
14	3007598	YC1-3007598	Valve rod	1	
15	4398783	GB/T879.2	Elastic pin 4X25	2	
16	2002444	YC1-2002444	Valve unit	1	
17	4198778		Quick union 1/8" - 8	1	
18	4300145		Rilsan hose D8/5 L=900	1	
19	3099335		Rilsan hose D8/5 L=750	1	
20	3000144		Rilsan hose D8/5 L=700	1	
21	4197629	YC1-4197629	Nylon washer	1	
22	4399905	GB/T5783	Screw M6X12	3	
23	4398848	GB/T96	Washer 6	1	
24	4398633	GB/T97.1	Washer 10	1	
25	4399890	GB/T70.1	Screw M6X20	14	
26	4399998	GB/T97.1	Washer 6	16	
27	4299912	YC1-4299912	Connection rod	1	

PANZITTA SALES & SERVICE
72 George Avenue
Wilkes-Barre, PA 18705
570-822-6720 800-822-6720
www.panzittasales.com

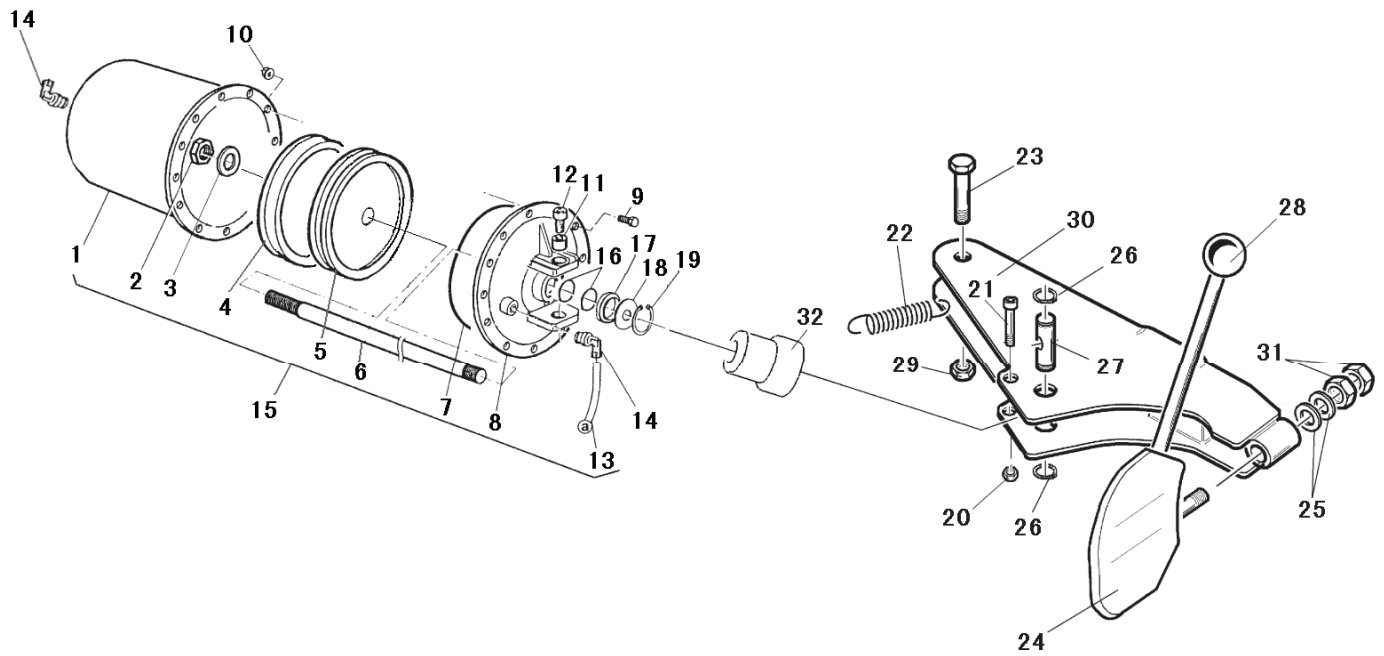
TAV.3.2		PEDAL BOX			ED. 07/08
28	4399891	GB/T845	Self-tapping screw ST3X6	2	
29	4299910	YC1-3099910	Connection rod guide	1	
30	4299913	YC1-4299913	Double cam	1	
31	4299911	YC1-4299911	Forked leaf spring	1	
32	4399889	GB/T6170	Nut M6	4	
33	3002157	YC1-3002157	Reverser control pedal A	1	
34	3007953	YC1-3007953	Bush	1	
35	3000142	YC1-3000142	Pedal control spring	1	
36	4397649	GB/T5782	Screw M6X50	1	
37	3013333	YC1-3013333	Pedal return spring	2	
38	3002161	YC1-3002161	Pedal box base	1	
39	3002159	YC1-3002159	Pedal B	1	
40	3003094	YC1-3003094	Pedal alignment pin	1	
41	4399894	GB/T860	Elastic washer 8	1	
42	4399900	GB/T6182	Self-locking nut M8	1	
43	4399864	GB/T894.1	Seeger 12	2	
44	4399893	GB/T6182	Self-locking nut M6	2	
45	3015341	YC1-3015341	Connection rod	1	
46	2001171	YC1-2001171	Connecting cable	1	
47	3015345		Reverser cover	1	
48	0505009		Reverser (40A)	1	
49	4399996	GB/T6170	Nut M4	3	
50	4399703	GB/T862.2	Toothed washer 4	3	
51	2115340	YC1-2115340	Reverser support	1	
52	4399905	GB/T5783	Screw M4X12	3	
53	3000175	YC1-3000175	Reverser lever	1	
54	4399905	GB/T70.1	Screw M4X12	1	

PANZITTA SALES & SERVICE
72 George Avenue
Wilkes-Barre, PA 18705
570-822-6720 800-822-6720
www.panzittasales.com

TAV.3.2		PEDAL BOX			ED. 07/08
55	4399044	GB/T70.1	Screw M5X20	2	
56	3015342	YC1-3015342	Support	1	
57	3005604		Grounding sticker	1	
58	4399703	GB/T97.1	Washer 4	1	
59	2006040		Grounding cable	1	
60	4599986		Cable holder	1	
61			Electric cable	1	
62		GB/T5783	Screw M8X16	3	
63	4399829	GB/T97.1	Washer 8	3	
64	2015861	YC1-2015861	Pedal control unit	1	

PANZITTA SALES & SERVICE
72 George Avenue
Wilkes-Barre, PA 18705
570-822-6720 800-822-6720
www.panzittasales.com

TAV.4.2	BEAD BREAKER	ED. 07/08
---------	--------------	-----------



BEAD BREAKER SEAL KIT AL2015572SK
INCLUDES 4, 7, 16X2, 17

PANZITTA SALES & SERVICE
72 George Avenue
Wilkes-Barre, PA 18705
570-822-6720 800-822-6720
www.panzittasales.com

TAV.4.2	BEAD BREAKER	ED. 07/08
---------	--------------	-----------

ITEM	CODE	REF. NO	DESCRIPTION	QTY	REMARK
1	3005053	YC1-3005053	Cylinder liner	1	
2	4394969	GB/T6171	Nut M18X1.5	1	
3	4398289	GB/T97.1	Washer 18	1	
4			Seal USE AL2015572SK	1	
5	3016806	YC1-3016806	Cylinder piston	1	
6	3015834	YC1-3015834A	Piston rod	1	
7			O-ring 195X5.1 USE AL2015572SK	1	
8	2115571	YC1-2415571	Cylinder flange	1	
9	4399892	GB/T5783	Screw M6X16	12	
10	4398007	GB/T6177	Flange nut M6	12	
11	3015573	YC1-3015573	Bush	2	
12	4399943	GB/T70.1	Screw M12X35	2	
13	3000889		Rilsan hose 8x5 L=700	1	
14	4198578		Rotation union 1/4" 8	2	
15	2015572	YC1-2015572	Bead breaker cylinder	1	
16			O-ring 20X2.75 USE AL2015572SK	2	
17			Scraper 20X30X7 USE AL2015572SK	1	
18	4398146	YC1-4398146	Shim 24X30X0.5	1	
19	3199599	GB/T893.1	Seeger 30	1	
20	4399971	GB/T6182	Self-locking nut M10	1	
21	4397145	GB/T70.1	Screw M10X70	1	
22	3000114	YC1-3000114	Arm spring	1	
23	4399945	GB/T5782	Screw M16X90	1	
24	2412271	YC1-2412271	Bead breaker plate	1	
25	4398899	GB/T955	Elastic washer 14	2	
26	4398178	GB/T894.1	Seeger 40	2	
27	3008990	YC1-3008990	Pivot pin	1	

[BEAD BREAKER SEAL KIT AL2015572SK](#)
[INCLUDES 4, 7, 16X2, 17](#)

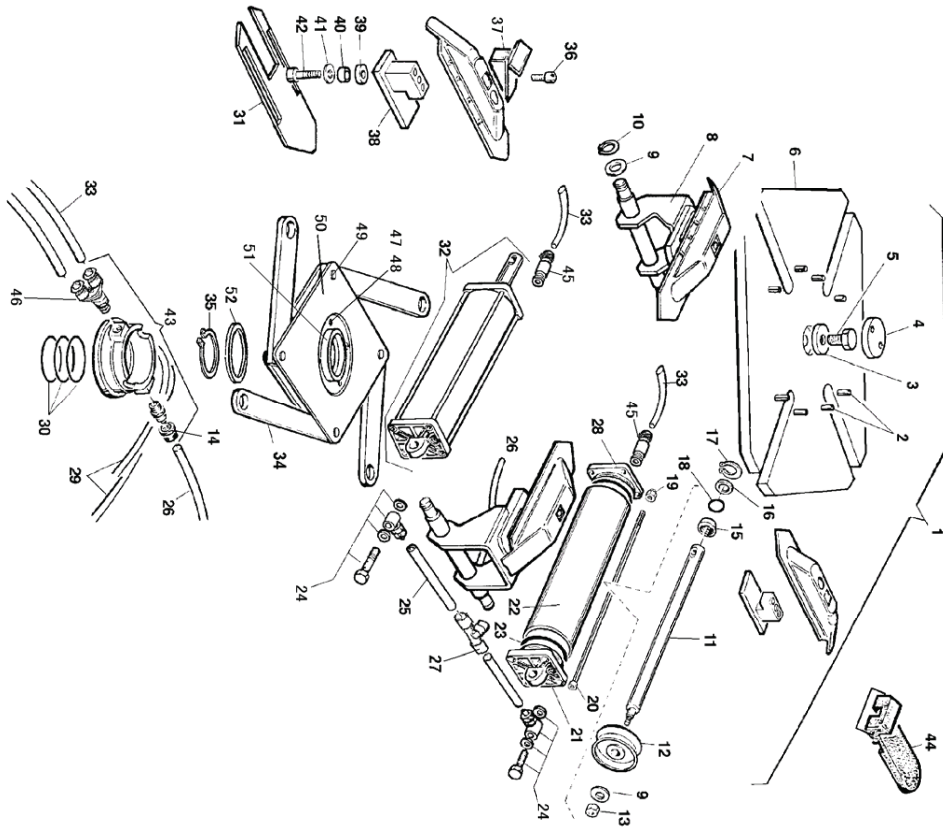
PANZITTA SALES & SERVICE
72 George Avenue
Wilkes-Barre, PA 18705
570-822-6720 800-822-6720
www.panzittasales.com

TAV.4.2	BEAD BREAKER			ED. 07/08
---------	--------------	--	--	-----------

28	4299952	YC1-4299952	Knob	1
29	4399963	GB/T6182	Self-locking nut M16	1
30	6615574	YC1-2415574	Bead breaker arm	1
31	4396941	GB/T6172	Nut M14	2
32		YC1-002	Rubber limit	1

PANZITTA SALES & SERVICE
72 George Avenue
Wilkes-Barre, PA 18705
570-822-6720 800-822-6720
www.panzittasales.com

TAV.6-20r	SELF-CENTERING TURNTABLE	ED. 07/08
-----------	--------------------------	-----------



AL2008060SK TABLETOP CYLINDER SEAL KIT
ITEMS 12, 15 & 23

PANZITTA SALES & SERVICE
72 George Avenue
Wilkes-Barre, PA 18705
570-822-6720 800-822-6720
www.panzittasales.com

TAV.6-20r	SELF-CENTERING TURNTABLE	ED. 07/08
-----------	--------------------------	-----------

ITEM	CODE	REF. NO	DESCRIPTION	QTY	REMARK
1	2015845	YC1-2015845	Turntable system	1	
2	3015187	YC1-3015187	Guide pin	8	
3	3009778	YC1-3009778	Washer 16.3X47X13	1	
4	3000062	YC1-3000062	Turntable cap	1	
5	4399926	GB/T5783	Screw M16X1.5X40	1	
6	2112865	YC1-2112865	Turntable	1	
7	3006255	YC1-3006255	Slide	4	
8	2115756	YC1-2415756	Slide guide	2	
9	4398637	GB/T97.1	Washer 12	8	
10	4399864	GB/T894.1	Seeger 12	4	
11	3002901	YC1-3002901	Cylinder shaft	2	
12	4198856	YC1-4198856	Piston	2	
13	4399865	GB/T6182	Self-locking nut M12	2	
14			Rotation union 1/8" 8	1	
15	3199601		Scraper 20X30X7	2	
16	4398146	YC1-4398146	Washer 24X30X0.5	2	
17	3199599	GB/T893.1	Seeger 30	2	
18	4299168	GB/T3452.1	O-ring 20X2.75	2	
19	4397678	GB/T6177	Flange nut M8	8	
20	3015023	YC1-3007941	Special screw	8	
21	3002293	YC1-3015023	Back flange	2	
22	3008042	YC1-3008042	Cylinder liner	2	
23	4298822	GB/T3452.1	O-ring 75X3.55	4	
24	4198898		Union 1/8" 8	2	
25			Rilsan hose 8X5 L=70	2	
26	3002225		Rilsan spiral hose 8X5 L320	1	
27	5000084		T union	1	

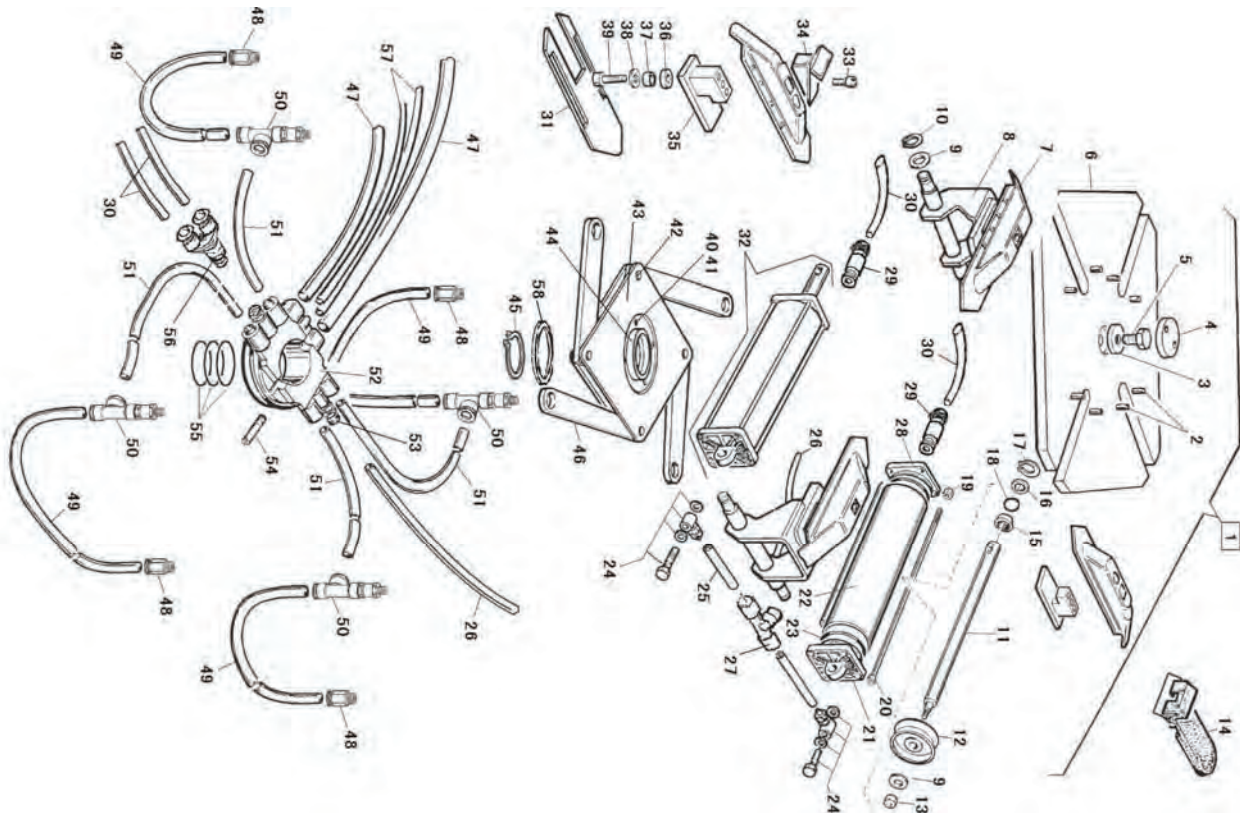
PANZITTA SALES & SERVICE
72 George Avenue
Wilkes-Barre, PA 18705
570-822-6720 800-822-6720
www.panzittasales.com

TAV.6-20r	SELF-CENTERING TURNTABLE	ED. 07/08
-----------	--------------------------	-----------

28	3015024	YC1-3015024	Front flange	2
29	3002225		Rilsan hose 8X5 L=850	2
30	3199589	GB/T3452.1	O-ring 60X2.65	3
31	3015169	YC1-3015169	Turntable plate	4
32	2008060	YC1-2008060	Turntable cylinder unit	2
33	3099335		Rilsan hose 8X5 L=270	2
34	3006870	YC1-3006870	Connection plate	8
35	4399932	GB/T894.1	Seeger 65	1
36	4398037	GB/T70.1	Screw M10X1.25X25	4
37	3002297	YC1-3002297	Oversize clamp	4
38	2115755	YC1-3015755	Slide guide	2
39	3006879	YC1-3006879	Turntable spacer	4
40	3006880	YC1-3006880	Connection rod spacer	4
41	4398637	GB/T97.1	Washer 12	4
42	4398838	GB/T70.1	Screw M12X1.25X45	4
43	4298955	YC1-4298955	Rotation union	1
44	2006393	YC1-2006393	Clamp cover	4
45	4198954		Quick union 1/8" 8	2
46	AL0306001		Quick T union 1/8" 8	1
47		GB/T5783	Screw M6X12	4
48	4399889	GB/T6170	Nut M6	4
49	3006878	YC1-3006878	Connection pin	4
50	3006869	YC1-3006869	Turntable flange	2
51	3007420	YC1-3007420	Bush	1
52	3006869	YC1-3006869-A	Turntable spacer	1

PANZITTA SALES & SERVICE
72 George Avenue
Wilkes-Barre, PA 18705
570-822-6720 800-822-6720
www.panzittasales.com

TAV.7-4	SELF-CENTERING TURNTABLE GT	ED. 07/08
---------	-----------------------------	-----------



AL2008060SK TABLETOP CYLINDER SEAL KIT
ITEMS 12, 15 & 23

PANZITTA SALES & SERVICE
72 George Avenue
Wilkes-Barre, PA 18705
570-822-6720 800-822-6720
www.panzittasales.com

TAV.7-4	SELF-CENTERING TURNTABLE GT	ED. 07/08
---------	-----------------------------	-----------

ITEM	CODE	REF. NO	DESCRIPTION	QTY	REMARK
1	2015856	YC2-2015856	GT turntable	1	
2	3015187	YC1-3015187	Guide pin 12	8	
3	3009778	YC1-3009778	Washer	1	
4	3000062	YC1-3000062	Turntable cap	1	
5	4399926	GB/T5783	Screw	1	
6	2107384	YC2-2107384	Turntable	1	
7	2107387	YC2-2407387	GT slide	4	
8	2115756	YC1-2415756	Slide guide	2	
9	4398637	GB/T97.1	Washer 12	8	
10	4399864	GB/T894.1	Seeger 12	4	
11	3002901	YC1-3002901	Piston rod	2	
12	4198856	YC1-4198856	Piston	2	
13	4399865	GB/T6182	Self-locking nut	2	
14	2006393	YC1-2006393	Clamp cover	4	
15	3199601		Oil scraper	2	
16	4398146	YC1-4398146	Shim 24X30X0.5	2	
17	4198035	GB/T893.1	Seeger 30	2	
18	4299168	GB/T3452.1	O-ring	2	
19	4397678	GB/T6177	Flange nut	8	
20	3007941	YC1-3007941	Special screw	8	
21	3015023	YC1-3015023	Back flange	2	
22	3008042	YC1-3008042	Cylinder liner	2	
23	4298822	GB/T3452.1	O-ring	4	
24	4198898		90° union 1/8" - 8	2	
25			Rilsan hose	2	
26	3002225		Rilsan spiral hose 8X5 D.60X3	1	

PANZITTA SALES & SERVICE
72 George Avenue
Wilkes-Barre, PA 18705
570-822-6720 800-822-6720
www.panzittasales.com

TAV.7-4	SELF-CENTERING TURNTABLE GT	ED. 07/08
---------	-----------------------------	-----------

27	5000084		T union	1
28	3015024	YC1-3015024	Front flange	2
29	4198954		Quick union 1/8" - 8	2
30			Rilsan hose 8X5 L=270	2
31	3015169	YC1-3015169	Turntable plate	4
32	2008060	YC1-2008060	Turntable cylinder	2
33	4398037	GB/T70.1	Screw M10X1.25X25	4
34	2002297	YC1-3002297	Oversize clamp	4
35	2115755	YC1-3015755	Slide guide	2
36	3006879	YC1-3006879	Turntable spacer	4
37	3006880	YC1-3006880	Connection rod spacer	4
38	4398637	GB/T97.1	Washer 12	4
39	4398838	GB/T70.1	Screw M12X1.25X45	4
40		GB/T5783	Screw M6X12	4
41	4399889	GB/T6170	Nut M6	4
42	3006878	YC1-3006878	Pin	4
43	3006869	YC1-3006869	Turntable flange	2
44	3007420	YC1-3007420	bush	1
45	4399932	GB/T894.1	Seeger 65	1
46	3006870	YC1-3006870	Connection plate	8
47	3002109		Rilsan hose 14X11 L=700	2
48	4198035		Quick union 1/4" 10	4
49	3006478		Rilsan hose 10X6.5 L=400	4
50	4197207		T union 1/8" 10	4
51	3006477		Rilsan hose 10X6.5 L=300	4
52	4298992	YC2-4298992	Rotation union	1
53			Union 1/8" 8	1

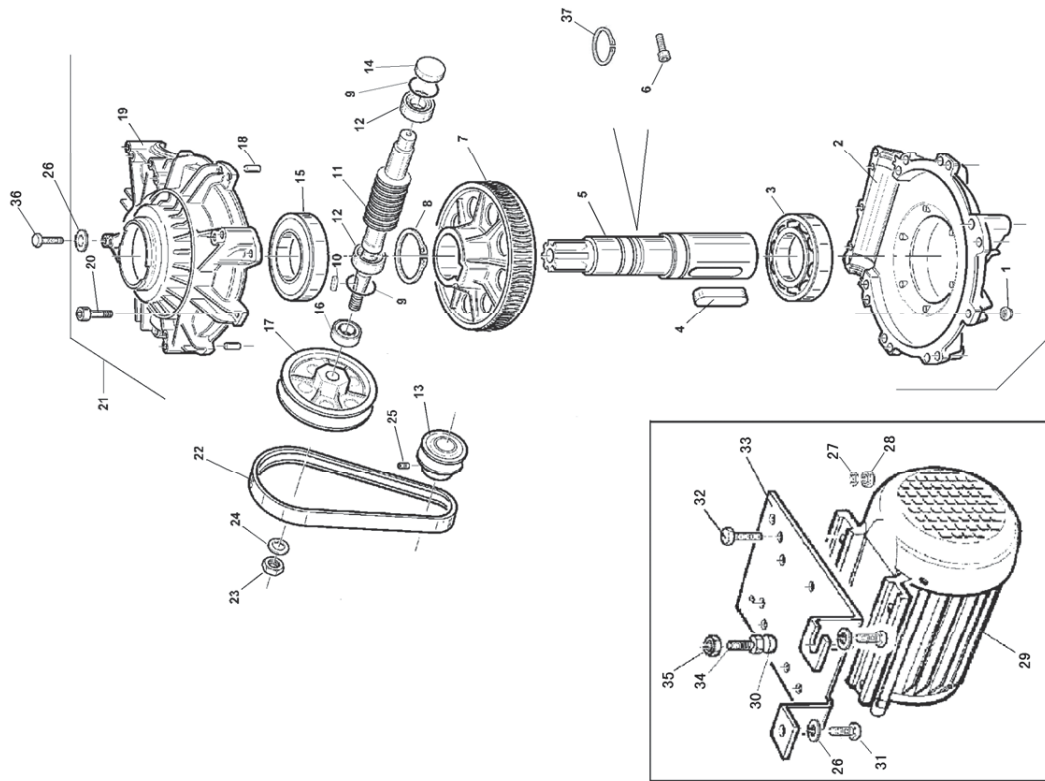
PANZITTA SALES & SERVICE
72 George Avenue
Wilkes-Barre, PA 18705
570-822-6720 800-822-6720
www.panzittasales.com

TAV.7-4	SELF-CENTERING TURNTABLE GT	ED. 07/08
---------	-----------------------------	-----------

54	3001996	GB/T77	Screw M6X25	2
55	4298802	GB/T3452.1	O-ring60X2.65	3
56	AL0306001		T union	1
57	3099335		Rilsan hose 8X5 L=850	2
58	3006869	YC1-3006869-A	Flange spacer	1

TAV.7-1	MOTOR – REDUCTION GEAR GROUP	ED. 07/08
---------	------------------------------	-----------

PANZITTA SALES & SERVICE
72 George Avenue
Wilkes-Barre, PA 18705
570-822-6720 800-822-6720
www.panzittasales.com



PANZITTA SALES & SERVICE
72 George Avenue
Wilkes-Barre, PA 18705
570-822-6720 800-822-6720
www.panzittasales.com

TAV.7-1	MOTOR – REDUCTION GEAR GROUP	ED. 07/08
---------	------------------------------	-----------

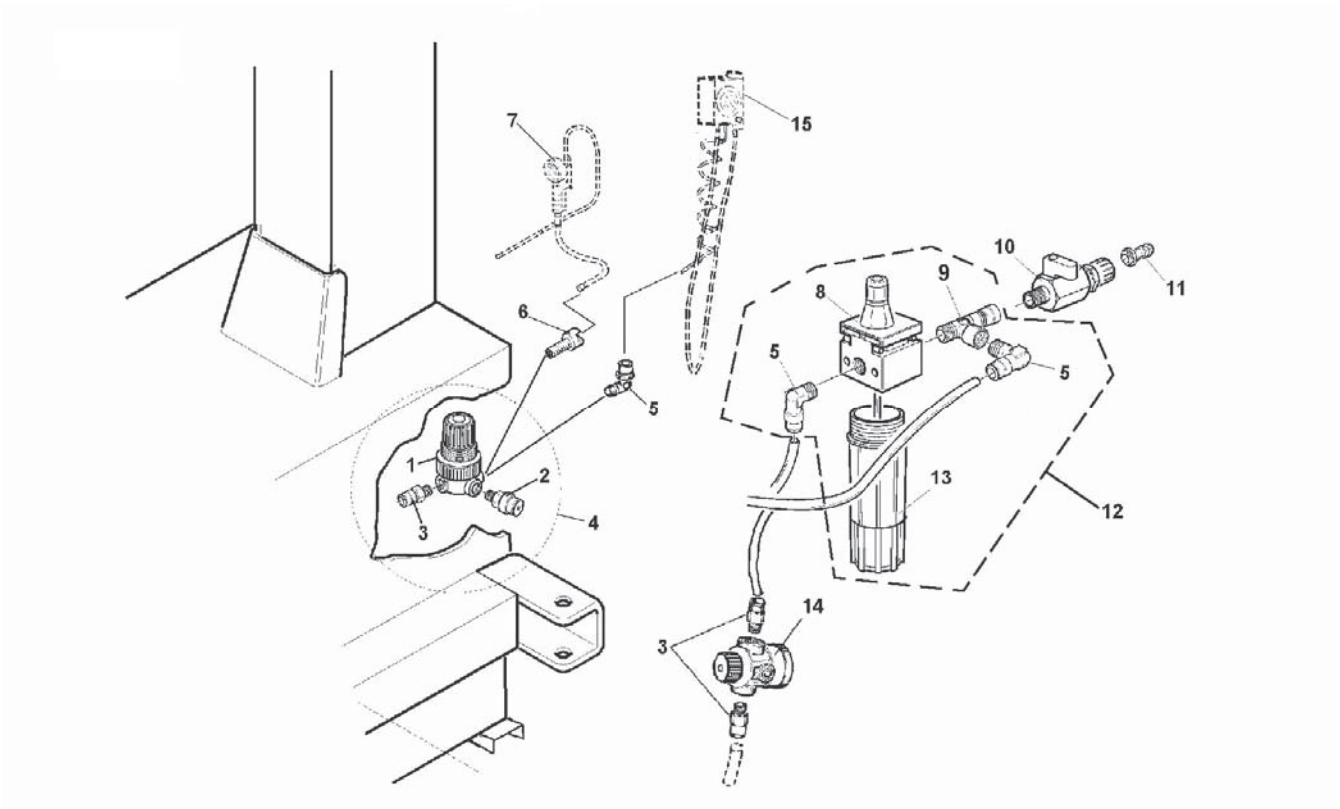
ITEM	CODE	REF. NO	DESCRIPTION	QTY	REMARK
1	4399900	GB/T6182	Self-locking nut M8	10	
2	3010873	YC1-3010873	Bottom part of reduction gear box	1	
3	4296910	GB/T276	Bearing 6212	1	
4	4396948	GB/T1096	Tab 16X10X70	1	
5	3010885	YC1-3010885	Helical gear stud	1	
6	4399664	GB/T70.1	Screw M6X10	2	
7	3010884	YC1-3010884	Helical gear	1	
8	4396946	GB/T894.1	Seeger 60	1	
9	4296943	GB/T3452.1	O-ring 34.5X3.55	2	
10	4396947	GB/T1096	Tab 6X6X18	1	
11	3010883	YC1-3010883	Worm	1	
12	4296944	GB/T297	Bearing 30204	2	
13	2100166	YC1-3000166	Motor pulley	1	
14	3010886	YC1-3010886	Sealing cap	1	
15	4296945	GB/T279	Bearing 6212 2RS	1	
16	4296942	YC1-4296942	O-ring 20X35X10	1	
17	3199596	YC1-3199596	Gear box pulley	1	
18	4396940	GB/T119.1	Pin 8X20	2	
19	3010872	YC1-3010872	Upper part of reduction gear box	1	
20	4399134	GB/T70.1	Screw M8X30	10	
21	2011967	YC1-2011967	Reduction gear unit	1	
22	4299923	GB/T11544-1997	Belt V A580	1	
23	4396941	GB/T6172	Nut M14	1	
24	4398807	GB/T97.1	Washer 14	1	
25	4399922	GB/T79	Screw M8X14	1	
26	4398633	GB/T97.1	Washer 10	8	
27	4399829	GB/T97.1	Washer 8	4	

PANZITTA SALES & SERVICE
72 George Avenue
Wilkes-Barre, PA 18705
570-822-6720 800-822-6720
www.panzittasales.com

TAV.7-1	MOTOR – REDUCTION GEAR GROUP			ED. 07/08
28	4399976	GB/T6170	Nut M8	4
29	0509164		Motor	1
30	3000164	YC1-3000164	Belt-stretcher shoe	1
31	4399966	GB/T5783	Screw M10X20	2
32	4399935	GB/T5783	Screw M8X25	4
33	3000149	YC1-3000149	Motor support	1
34	4399880	GB/T5783	Screw M10X35	1
35	4399969	GB/T6170	Nut M10	1
36	4399933	GB/T5782	Screw M10X50	6
37	4396700	GB/T894.1	Seeger 50	1

PANZITTA SALES & SERVICE
72 George Avenue
Wilkes-Barre, PA 18705
570-822-6720 800-822-6720
www.panzittasales.com

TAV.9-2	AIR LUBRICATION GROUP	ED. 07/08
---------	-----------------------	-----------



PANZITTA SALES & SERVICE
72 George Avenue
Wilkes-Barre, PA 18705
570-822-6720 800-822-6720
www.panzittasales.com

TAV.9-2	AIR LUBRICATION GROUP	ED. 07/08
---------	-----------------------	-----------

ITEM	CODE	REF. NO	DESCRIPTION	QTY	REMARK
1	4198173		Regulator 1/4" 3.5bar	1	
2	4198435		Safety valve 1/8" 4bar	1	
3	4198884		Union 1/4" 8	3	
4	2010781	YC1-2010781	Pressure regulator unit	1	
5	4198883		Quick union 1/4" 8	3	
6	4199797		Nut 1/4"	1	
7	9298243		Inflating gauge	1	
8	4196315		Lubricator cap	1	
9	4198818		T union 1/4" 8	1	
10	4198143		Valve 1/4" F-F	1	
11	4199987		Union 1/4"	1	
12	2012326	YC1-2012326	Lubricator unit	1	
13	4196316		Lubricator cap	1	
14	4198951		Regulator 1/4" 10bar	1	
15	2014217	YC2-2014217	GT pressure gauge 6212 2RS	1	