



INSTALLATION and OPERATION MANUAL

PANZITTA SALES & SERVICE
72 George Avenue
Wilkes-Barre, PA 18705
570-822-6720 800-822-6720
www.panzittasales.com



14K SCISSOR LIFT

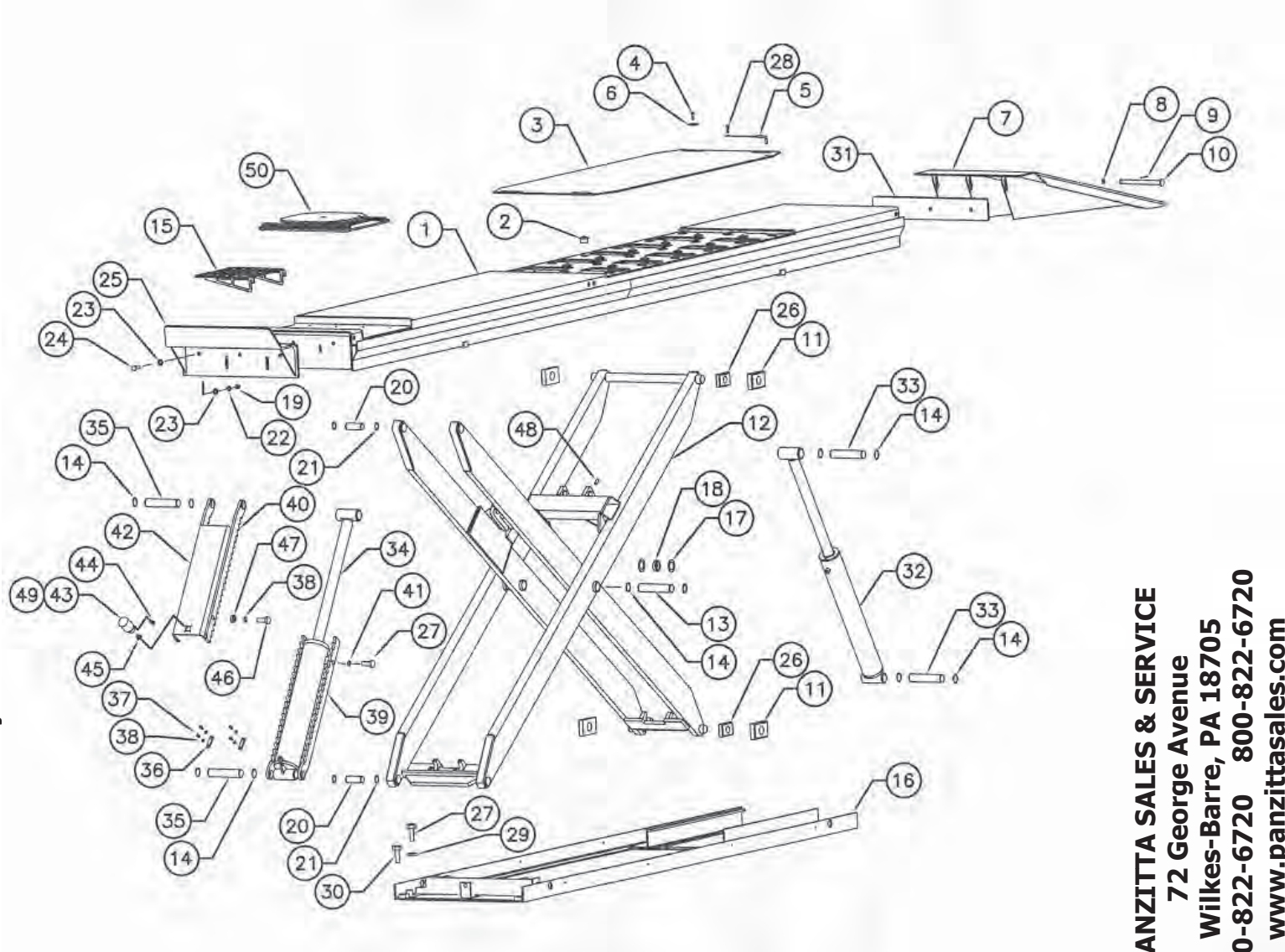
14605AF

**READ and SAVE THIS
INSTRUCTION MANUAL**



SEPT 2004 6-3012

10 PARTS LIST
10.1 Lift Assembly



PANZITTA SALES & SERVICE
72 George Avenue
Wilkes-Barre, PA 18705
570-822-6720 800-822-6720
www.panzitasales.com

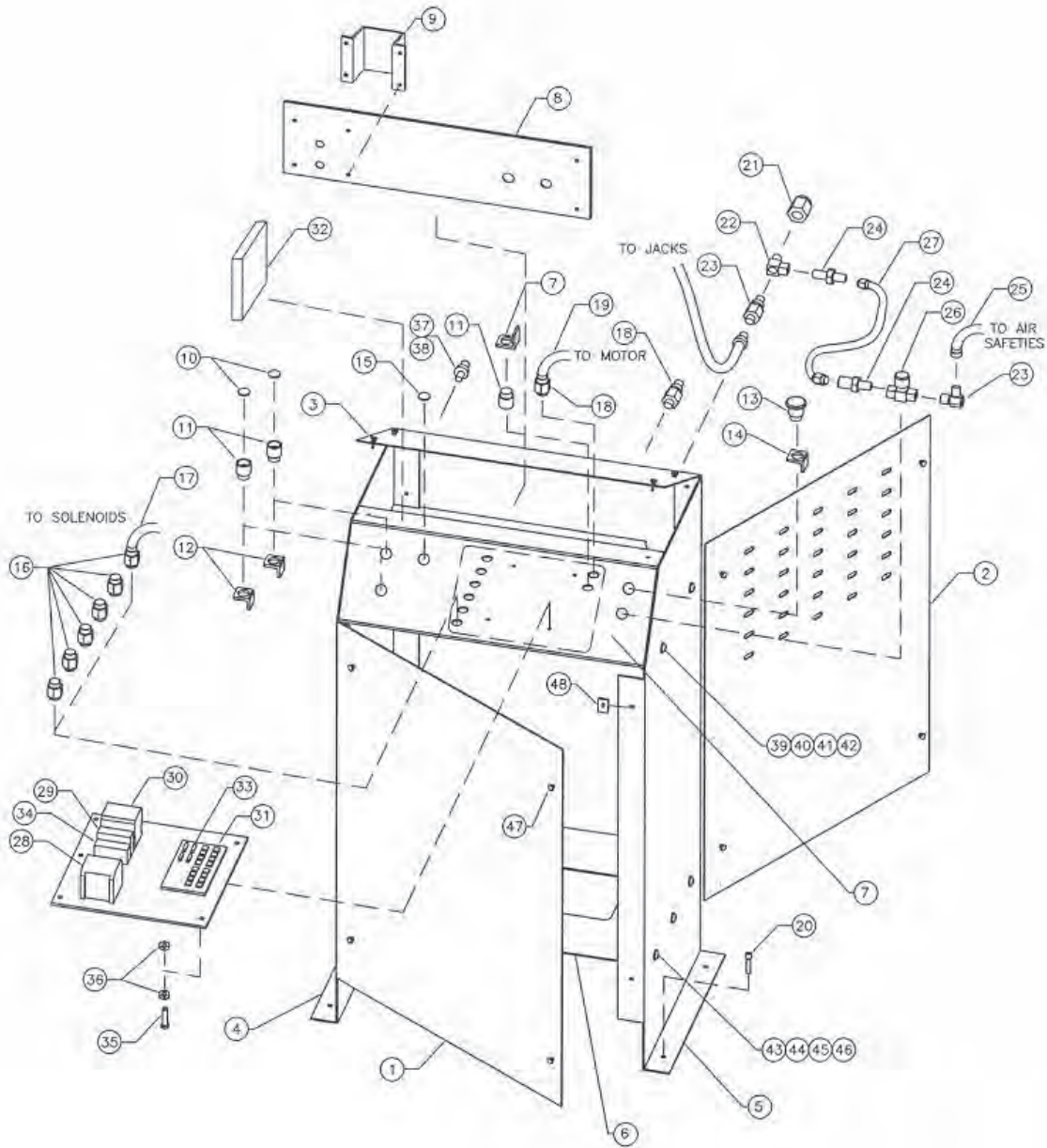
10.2 Lift Assembly Parts List

ITEM NO.	QTY.	DESCRIPTION	PART NO.
1	1	DECK WELDMENT RHS	4-1091
	1	DECK WELDMENT LHS	4-1090
2	54	BALL BEARING	6-2940
3	2	REAR SLIP PLATE	2-2088
4	8	SHOULDER BOLT 3/8" X 1.0"LG	6-0206
5	4	LOCKING PIN ASSEMBLY	2-0637
6	8	FLAT WASHER	6-0426
7	2	APPROACH RAMP WELDMENT	3-0905
8	2	WASHER 3/4" FLAT ZINC PLATED	6-0808
9	2	COTTER PIN, 1/8"DIAMETER X 2" LONG	6-0115
10	2	APPROACH RAMP PIN	1-0095
11	8	SLIDER BLOCK	1-2792
12	2	SCISSOR WELDMENT	4-1081
13	4	SCISSOR PIN	1-2791
14	24	SNAP RING #5100-150	6-0233
15	2	WORKSTEP WELDMENT	2-2119
16	2	BASE FRAME WELDMENT	3-0902
17	8	THRUST WASHER - NYLON 1/16" THICK	1-0757
18	4	SCISSOR SPACER	1-2795
19	12	HEXAGON NUT 1/2"-13UNC, ZINC PLATED	6-0035
20	8	HINGE PIN	1-2788
21	16	SNAP RING #5100-125	6-0340
22	12	LOCK WASHER 1/2"	6-0059
23	24	FLAT WASHER 1/2"	6-0063
24	12	HEX BOLT 1/2"-NC X 1 1/2" LONG	6-0291
25	2	WHEELSTOP WELDMENT	2-2117
26	8	INNER SLIDER BLOCK	1-2884
27	12	HEX BOLT, 3/4"-NF x 1 1/2" LG	6-2936
28	4	SELF TAPPING SCREW, #10 x 1/2" LG	6-0505
29	8	HEX JAM NUT, 3/4"-NF	80259000
30	10	HEX BOLT, 5/8"-NC x 2" LG	6-1670
31	2	ADAPTER PLATE	1-2319
32	2	CYLINDER ASSEMBLY, SECONDARY	3-0897
33	4	CYLINDER PIN, SECONDARY	1-2790
34	2	CYLINDER ASSEMBLY, PRIMARY	3-0896
35	4	CYLINDER PIN, PRIMARY	1-2789
36	8	CYLINDER RETAINER	1-2793
37	16	HEX BOLT, 3/8"-NC x 1" LG	6-0067
38	32	LOCKWASHER, 3/8"	6-0058
39	4	SAFETY BAR, BOTTOM	2-2171
40	4	SAFETY BAR, TOP	2-2172
41	4	LOCKWASHER, 3/4"	6-0259
42	2	SAFETY COVER	2-2183
43	2	AIR CYLINDER	3-0812
44	2	ROD END, CYLINDER	2-1733
45	8	PHILIPS SCREW, #6-32 x 3/4" LG	6-2281

46	16	HEX BOLT, 3/8"-NC x 1 1/2" LG	6-0203
47	16	HEX NUT, 3/8"-NC	6-0034
48	8	SET SCREW, 3/8"-NC x 1" LG	6-3061
49	2	BREATHER, 1/8" NPT	6-0183
50	2	STAINLESS STEEL TURNPLATE ASSEMBLY (OPTIONAL)	4-1101

PANZITTA SALES & SERVICE
72 George Avenue
Wilkes-Barre, PA 18705
570-822-6720 800-822-6720
www.panzittasales.com

10.3 Console Assembly



PANZITTA SALES & SERVICE
72 George Avenue
Wilkes-Barre, PA 18705
570-822-6720 800-822-6720
www.panzittasales.com

10.4 Console Parts List

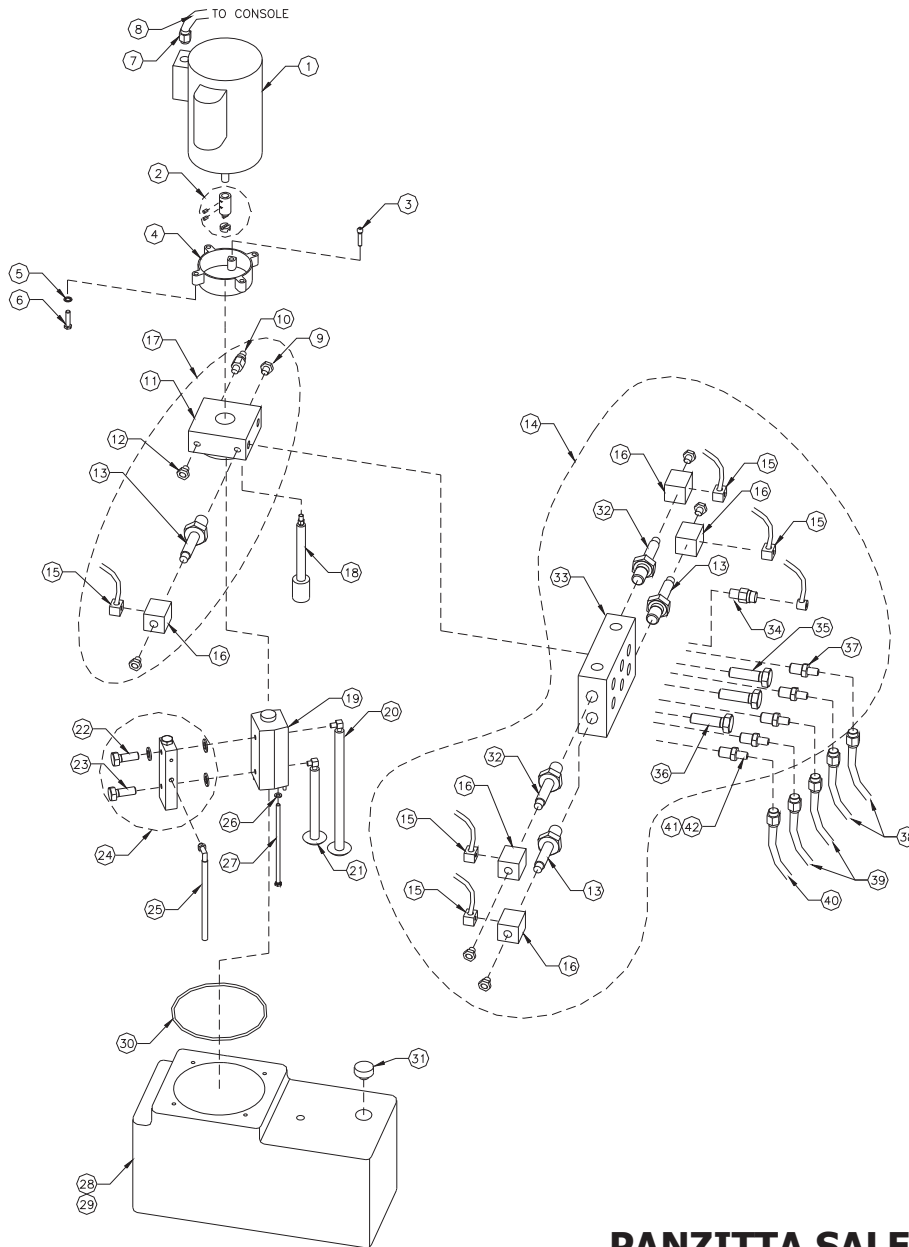
ITEM	QTY	DESCRIPTION	PART #
1	1	CONSOLE FRONT COVER	2-2126
2	1	CONSOLE REAR COVER	2-2127
3	1	CONSOLE TOP COVER	2-2128
4	1	LHS PANEL	2-2122
5	1	RHS PANEL	2-2125
6	1	BOTTOM POWER PACK STEP	2-2123
7	1	ELECTRICAL HOUSING	2-2124
8	1	ELECTRICAL BACK PANEL	3-0900
9	1	PROXIMITY COVER CHANNEL	1-2903
10	2	PUSHBUTTON PLATE (UP/DOWN ARROW)	6-1251
11	3	PUSHBUTTON	6-1247
12	3	PUSHBUTTON CONTACTS	6-1248
13	1	EMERGENCY STOP PUSHBUTTON W/ RESET	6-2921
14	1	EMERGENCY PUSHBUTTON CONTACT	6-2922
15	1	ELECTRICAL KNOCKOUT PLUG	6-2314
16	6	STRAIN RELIEF, 1/4"	6-0092
17	24FT	COIL/PRESSURE SWITCH CABLE	8-0306
18	2	STRAIN RELIEF, 1/2" (1 PHASE)	6-1370
	2	STRAIN RELIEF, 1/2" (3 PHASE)	6-0094
19	4FT	MOTOR CABLE (1 PHASE)	8-0030
	4FT	MOTOR CABLE (3 PHASE)	8-0189
20	4	CONCRETE NAIL, 1/4" X 1" LG.	6-0141
21	1	BULKHEAD, 1/4"NPT	6-0713
22	1	TEE 1/4" NPT	6-0014
23	1	ADAPTER, 1/4" NPT TO 3/8" POLYTUBE	6-0710
24	2	ADAPTER, 1/4" NPT TO 1/4" POLYTUBE	6-1347
25	30FT	1/4" POLYTUBE	8-0141
26	1	MANUAL SAFETY RELEASE VALVE	6-1055
27	1 FT	3/8" POLYTUBE	8-0142
28	1	TRANSFORMER, 220V	6-2978
	1	TRANSFORMER, 460V	6-2171
	1	TRANSFORMER, 575V	6-2147
29	1	THERMAL OVERLOAD, 1.8A-2.8A (575V, 3PHASE)	6-2174
	1	THERMAL OVERLOAD, 2.7A-4.2A (460V, 3PHASE)	6-2175
	1	THERMAL OVERLOAD, 6.0A-9.2A (220V, 3PHASE)	6-2176
30	1	CONTACTOR (1PH, 24V COIL)	6-2979
	1	CONTACTOR (3PH, 24V COIL)	6-2601
31	1	PRINTED CIRCUIT BOARD	6-2958
32	1	INTRINSIC SAFETY BARRIER	6-2981
33	1	FUSE, 5A	6-2962
34	2	FUSE, 1A	6-2982
35	4	BOLT, #8-32NC X 1" LG.	6-1094
36	8	NUT, #8-32NC	6-1095
37	1	QUICK CONNECTOR MALE	6-2964
38	1	QUICK CONNECTOR FEMALE	6-2975
39	8	SCREW, 1/4" -20 UNC	6-0588
40	8	WASHER, FLAT, 1/4 SAE PLT #140-0	6-0060
41	8	NUT 1/4-20 HEX PL	6-0032
42	8	WASHER, LOCK, 1/4" ID	6-0056
43	6	BHCS 3/8-16UNC x 1.0" LG	6-3037
44	6	WASHER, FLAT, 3/8" ID, SAE	6-6062
45	6	NUT, 3/8"-16UNC, GR5, PL, HEX	6-0034

46	6	WASHER,LOCK,3/8"ID	6-0058
47	16	SCREW 10-24 PHILLIPS 5/8"LG	6-3075
48	16	U-TYPE FASTENER	6-3074

NOTE: Console Assembly is Part # 3-0901

PANZITTA SALES & SERVICE
72 George Avenue
Wilkes-Barre, PA 18705
570-822-6720 800-822-6720
www.panzittasales.com

10.5 Powerpack Assembly



PANZITTA SALES & SERVICE
72 George Avenue
Wilkes-Barre, PA 18705
570-822-6720 800-822-6720
www.panzittasales.com

10.6 Powerpack Parts List

ITEM NO.	QTY.	DESCRIPTION	PART NO.
1	1	MOTOR, 220V (1 PHASE)	6-0087
	1	MOTOR, 220V (3 PHASE)	6-0446
	1	MOTOR, 575V (3 PHASE)	6-0447
2	1	MOTOR COUPLER	6-2537
3	2	CAP SCREW, M6x20	6-2984
4	1	BELLHOUSING	6-2507
5	4	LOCKWASHER, INTERNAL TOOTH, 3/8"	6-2547
6	4	CAP SCREW, HEX HEAD, 3/8"-16UNC x 1 1/2" LG	6-2558
7	1	1/2" STRAIN RELIEF CONNECTOR (1 PHASE)	6-1370
	1	1/2" STRAIN RELIEF CONNECTOR (3 PHASE)	6-0094
8	1	MOTOR CABLE (1 PHASE)	1-0104
	1	MOTOR CABLE (3 PHASE)	1-1824
9	1	CHECK VALVE	6-2985
10	1	RELIEF VALVE (4500 PSI)	6-2986
11	1	MAIN BODY	6-2987
12	1	FLOW CONTROL	6-2988
13	3	SPOOL VALVE (C/W MANUAL OVERRIDE)	6-2129
14	1	MANIFOLD ASSEMBLY	6-3002
15	5	DIN CONNECTOR (24V)	6-2236
16	5	SQUARE COIL (24V)	6-2128
17	1	MAINBODY ASSEMBLY	6-2989
18	1	RETURN FILTER ASSEMBLY	6-2990
19	1	TANDEM PUMP	6-2991
20	1	LONG INLET STRAINER ASSEMBLY	6-2992
21	1	SHORT INLET STRAINER ASSEMBLY	6-2993
22	1	BANJO BOLT (INCLUDES 2 WASHER SEALS)	6-2525
23	1	BANJO BOLT (INCLUDES 2 "O"-RINGS AND 1	6-2526
24	1	UNLOADING MANIFOLD ASSEMBLY	6-2555
25	1	RETURN TUBE ASSEMBLY	6-2532
26	4	LOCKWASHER, 5/16"	6-0674
27	2	CAP SCREW, HEX HEAD, 5/16"-18UNC x 6 1/2" LG	6-2533
28	1	OIL TANK 15L	6-2994
29	2	OIL TANK BRACKET	6-2995
30	1	OIL TANK ORING	6-2996
31	1	FILLER / BREATHER CAP	6-2997
32	2	SPOOL VALVE (RESQUARE)	6-1364
33	1	MANIFOLD	6-2998
34	1	PRESSURE SWITCH (INCLUDES BONDED SEAL)	6-2548
35	2	BOLT, M8x65	6-2999
36	1	BOLT, M6x65	6-3000
37	4	ADAPTER SAE#6 TO 3/8" JIC	6-3001
38	2	PRIMARY HYDRAULIC HOSE	2-2143
39	2	EQUALIZING HYDRAULIC HOSE	2-2177
40	2	3/8" POLYTUBE RETURN LINES	6-3082
41	1	ADAPTER SAE#6 TO 3/8" NPT	6-3066
42	1	90 DEG ELBOW 3/8" NPT TO 3/8" POLYUBE	6-3058
***NOTE		PUMP ASSY. INCLUDING MANIFOLD ASSY.	6-2957

PANZITTA SALES & SERVICE

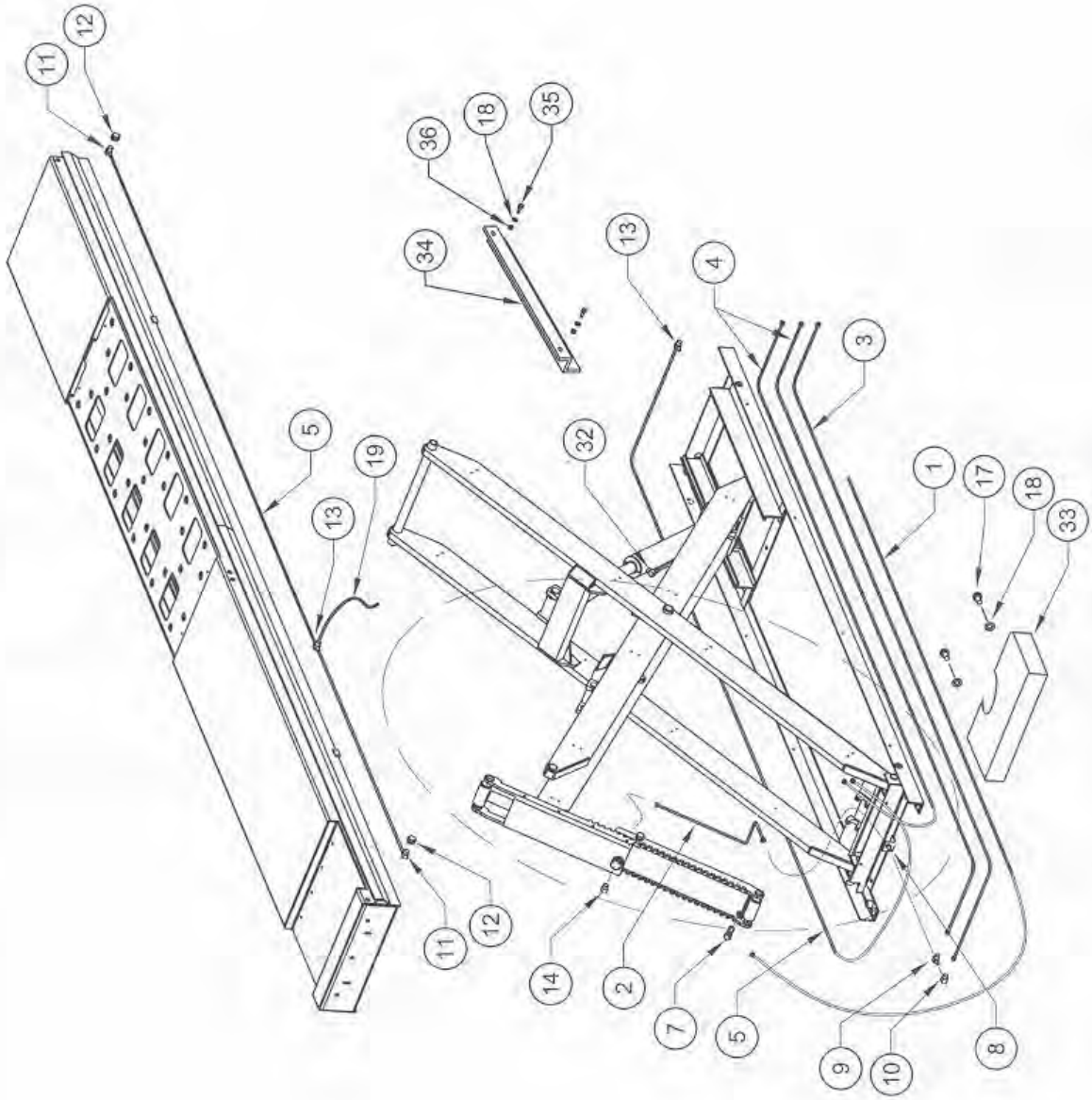
72 George Avenue

Wilkes-Barre, PA 18705

570-822-6720 800-822-6720

www.panzittasales.com

10.7 Hydraulic & Air Assembly



PANZITTA SALES & SERVICE
72 George Avenue
Wilkes-Barre, PA 18705
570-822-6720 800-822-6720
www.panzittasales.com

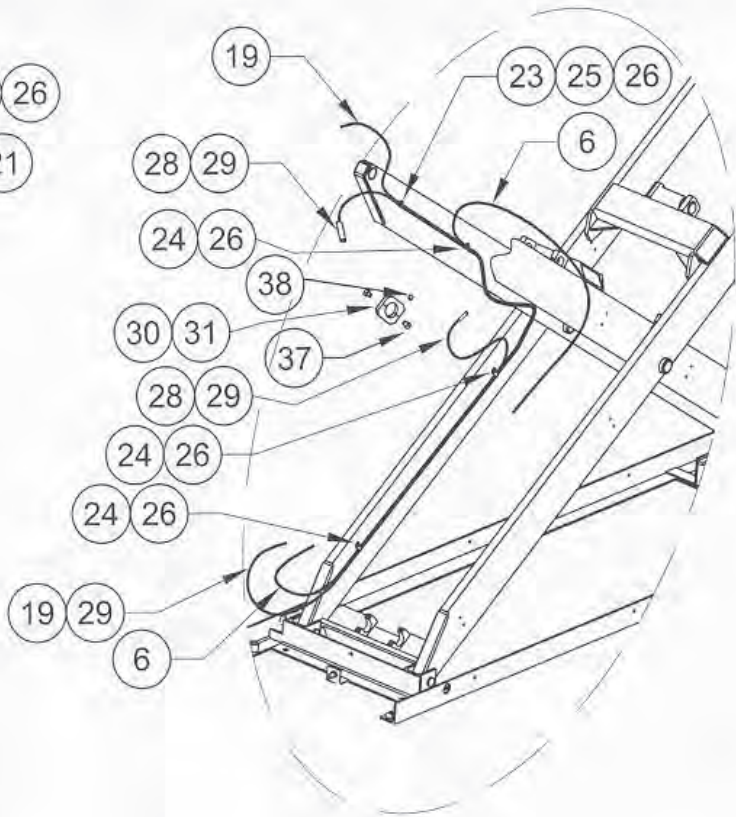
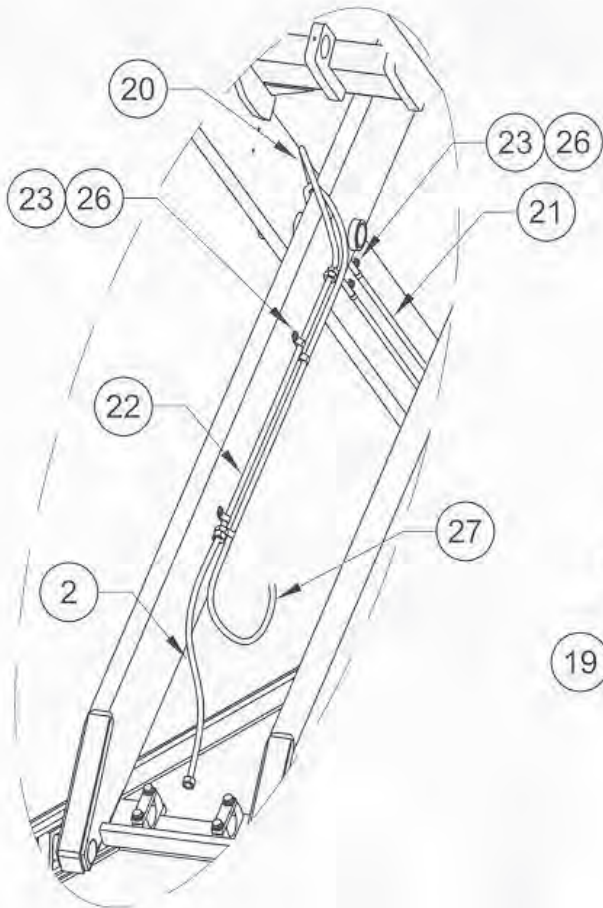
PANZITTA SALES & SERVICE

72 George Avenue

Wilkes-Barre, PA 18705

570-822-6720 800-822-6720

www.panzittasales.com



10.8 Line Routing Parts List

ITEM	QTY	DESCRIPTION	PART #
1	2	3/8" HYDRAULIC HOSE – PRIMARY	2-2143
2	4	3/8" HYDRAULIC HOSE – SHORT (PRIMARY)	2-2145
3	2	3/8" HYDRAULIC HOSE – EQUALIZE	2-2177
4	4	3/8" HYDRAULIC HOSE – CROSSOVER	2-2148
5	1	3/8" POLYTUBE, 215" LG	6-3009
6	1	1/4" AIR HOSE, 350" LG	6-3020
7	2	VELOCITY FUSE	6-2956
8	2	ADAPTER, WITH JAM NUT	6-0013
9	2	TEE FITTING, 3/8" JIC	6-1372
10	2	90 DEG ELBOW, 3/8" JIC-M, 3/8" JIC-F	6-0813
11	2	90 DEG ELBOW, 1/4" NPT-M, 3/8" POLYTUBE	6-3010
12	2	TERMINAL BOLT, 3/4"	6-0167
13	2	TEE FITTING, 3/8" POLYTUBE	6-3011
14	2	90 DEG ELBOW, 1/8" NPT, 1/4" POLYTUBE	6-0709
15	1	TEE FITTING, 1/4" POLYTUBE	6-2971
16	2	FRONT COVER	2-2185
17	4	HEX BOLT, 1/4" NC x 3/4" LG	6-0178
18	16	LOCKWASHER, 1/4"	6-0056
19	1	3/8" POLYTUBE, 480" LG	6-3019
20	2	JUMPER HOSE 3/8"	2-2144
21	2	RIGID PIPE, 42"	2-2149
22	2	RIGID PIPE, 22"	2-2189
23	17	PIPE CLAMP, 3/8"	6-0170
24	5	PIPE CLAMP, 1/2"	6-0536
25	2	PIPE CLAMP, 1/4"	6-3059
26	24	SELF THREADING SCREW	6-1134
27	2	POLYTUBE RETURN LINE 3/8" - 400" LG	6-3082
28	2	PROXIMITY SENSOR	6-2960
29	2	PROXIMITY SENSOR CABLE	6-2961
30	1	SENSOR CAM INNER	1-2900
31	1	SENSOR CAM OUTER WELD	1-2902
32	2	90 DEG ELBOW, 3/8" NPT-M, 3/8" POLYTUBE	6-3058
33	2	FRONT COVER	2-2185
34	9	BASEFRAME LINE COVER	2-2151
35	12	HEX HD BOLT 1/4"	6-0008
36	12	NUT PL 1/4"	6-0032
37	2	BINDER HD SCR #10-24 UNCx3/8LG	6-0815
38	1	SET SCREW, 1/4" x 3/4" LG	6-0438
***NOTE		LINE COVERS NOT SHOWN:	
	3	SHORT LINE COVER	1-2799
	3	REAR LINE COVER	1-2800
	2	LINE COVER ELBOW	1-2806
	2	LINE COVER TEE	1-2807

PANZITTA SALES & SERVICE
72 George Avenue
Wilkes-Barre, PA 18705
570-822-6720 800-822-6720
www.panzittasales.com