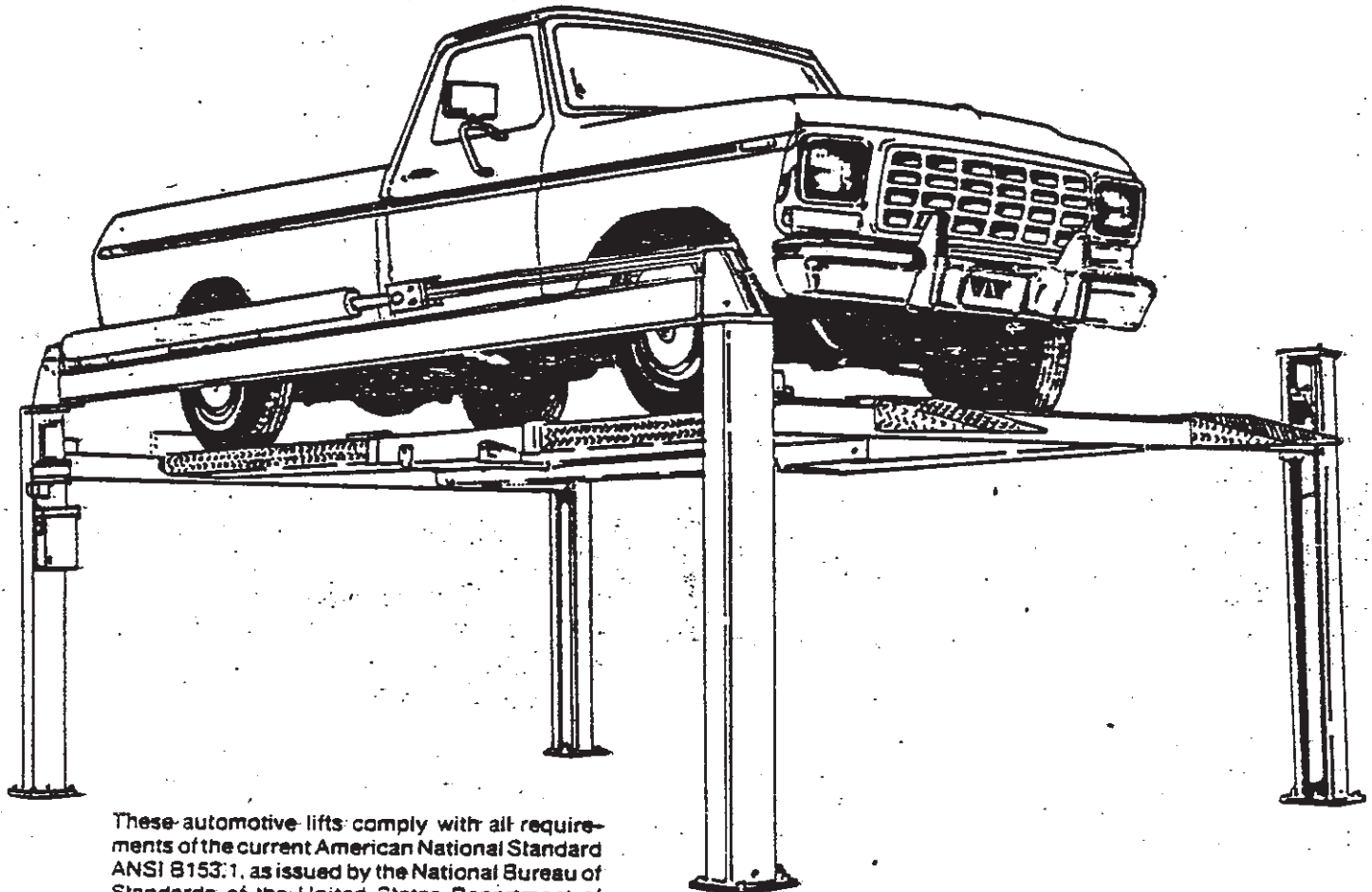


For Above Floor Four Post Hydraulic Lifting Equipment

# WEAVER®

**PANZITTA SALES & SERVICE**  
 72 George Avenue  
 Wilkes-Barre, PA 18705  
 570-822-6720 800-822-6720  
 www.panzittasales.com



These automotive lifts comply with all requirements of the current American National Standard ANSI B153.1, as issued by the National Bureau of Standards of the United States Department of Commerce.

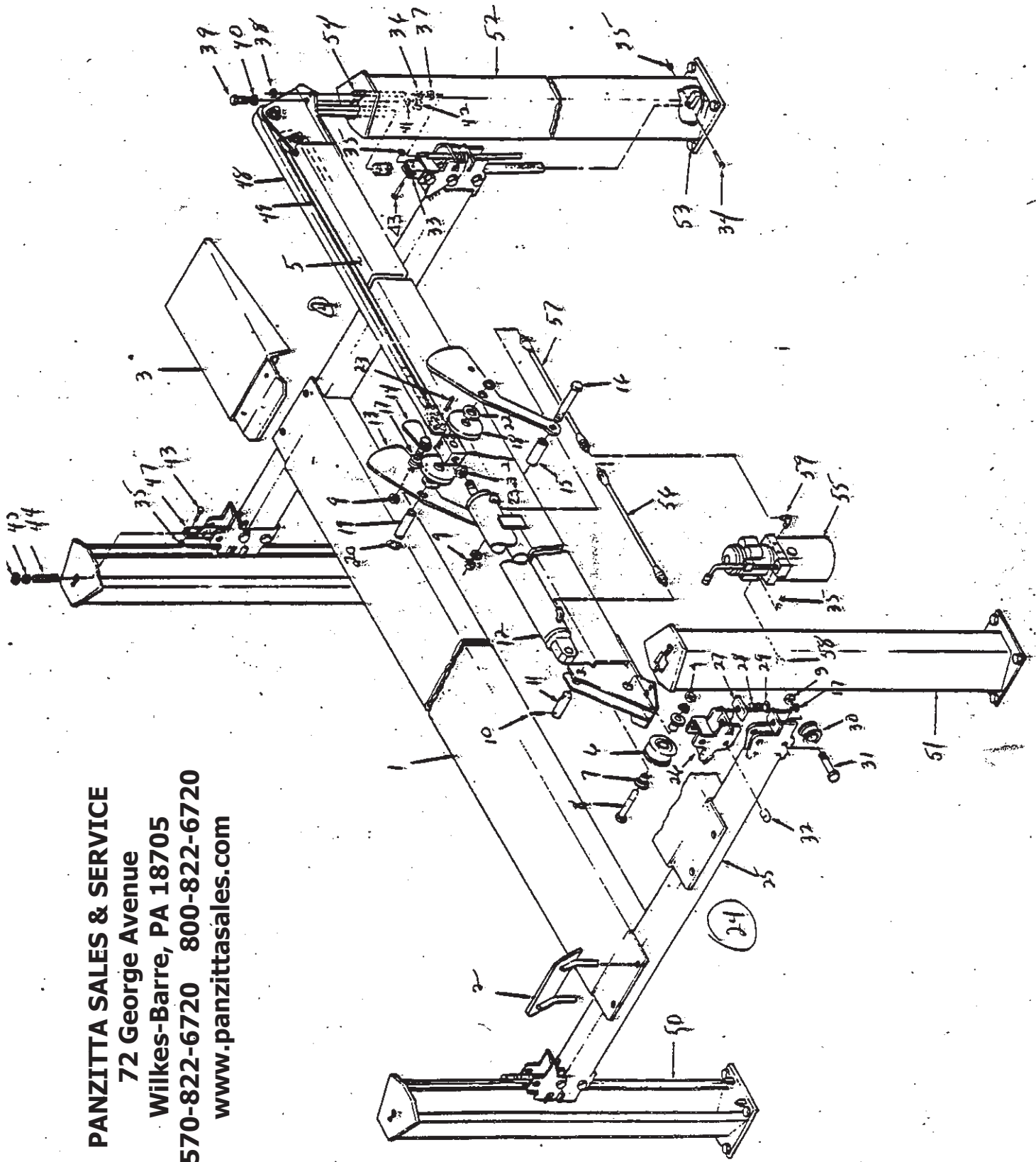
MODEL	DESCRIPTION	CAPACITY
AFH-T90A	Four post, surface mounted, runway type	9,000 lbs.
AFH-T12	Four post, surface mounted, runway type	12,000 lbs.

MODEL NO. \_\_\_\_\_ INSTALLER \_\_\_\_\_  
 SERIAL NO. \_\_\_\_\_  
 DATE INSTALLED \_\_\_\_\_

**WARNING**

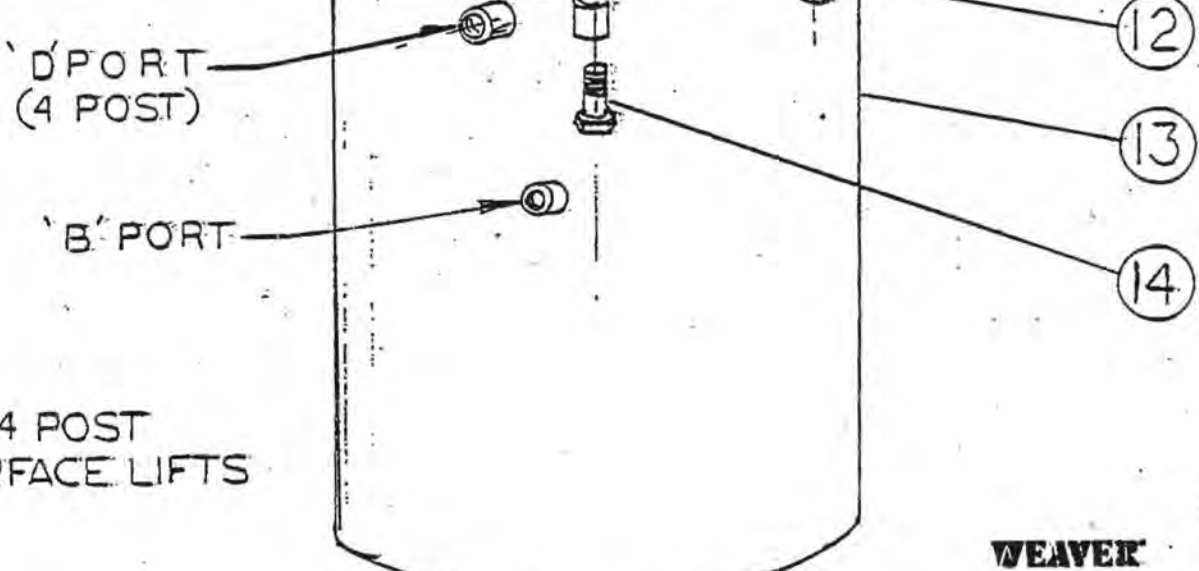
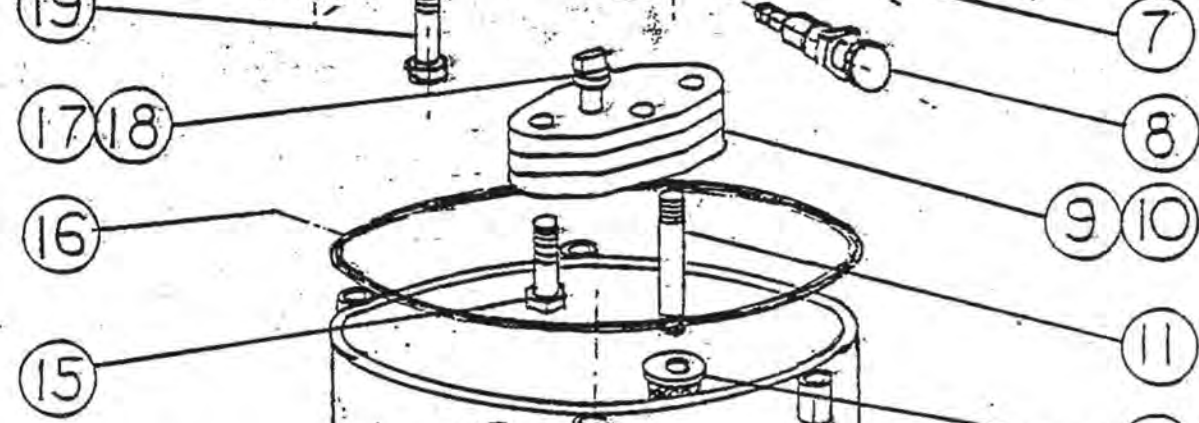
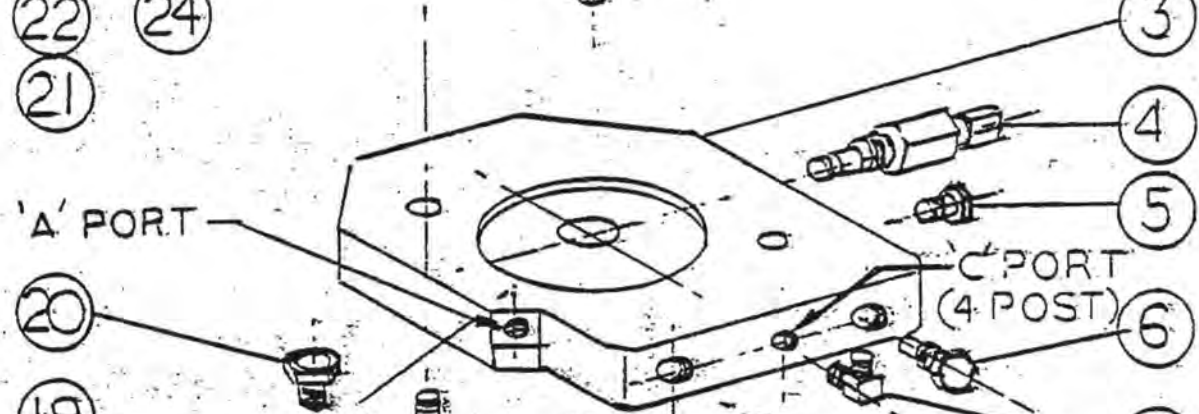
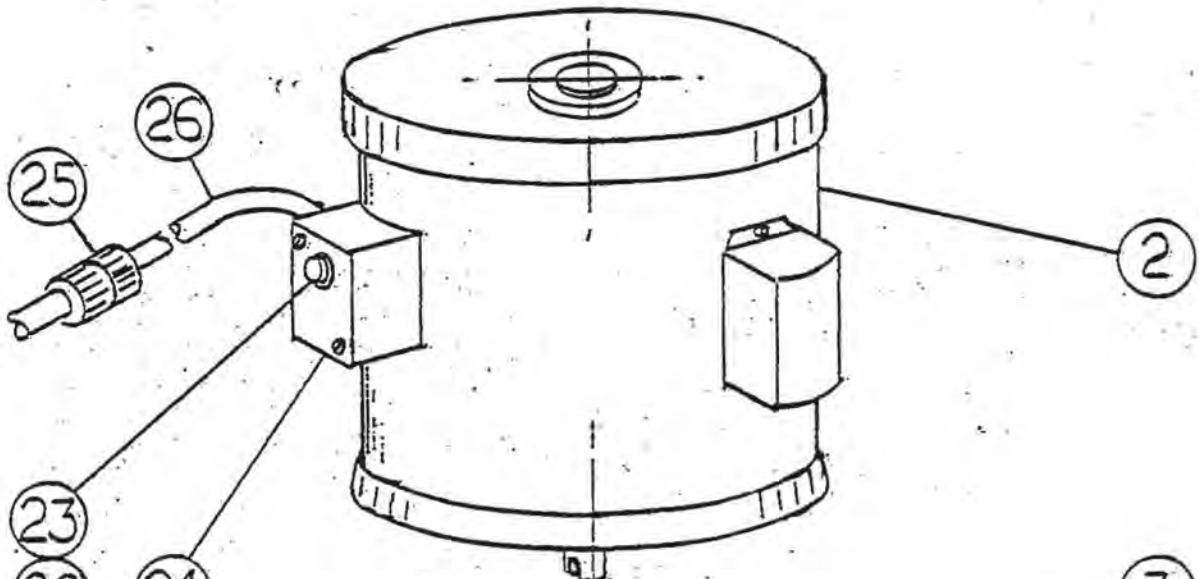
Do not start installation before studying this booklet to become familiar with installation procedure. Acquaint yourself with model type to avoid improper installation.

**PANZITTA SALES & SERVICE**  
72 George Avenue  
Wilkes-Barre, PA 18705  
570-822-6720 800-822-6720  
www.panzittasales.com



**FIGURE E**

ITEM NO.	PART NO.	MODEL AFF.		DESCRIPTION
		T90A	T12	
1	1085481	2	—	Runway
	1085444	—	2	Runway
2	1086244	2	2	Ramp Stop Plate
3	1086240	2	2	Ramp
4	1085470	1	—	Top Rail Assembly
	1085408	—	1	Top Rail Assembly
5	1085471	1	—	Top Rail
	1085409	—	1	Top Rail
6	1086214	3	3	Wheel Assembly
7	1086216	6	6	Bearing Retainer
8	1085681	3	3	Hex Hd Bolt 3/4-10 x 4-1/2"
9	S-17729	—	—	Locknut 3/4-10
10	S-8162	2	2	Cotter Pin
11	1086213	1	1	Cylinder Pivot Pin
12	1086267	1	1	Cylinder Assembly
13	1085424	2	2	Latch Arm
14	1085421	1	1	Side Latch Arm
15	1085425	1	1	Latch Retainer
16	1086288	1	1	Hex Hd Bolt 3/4-10 x 6-1/2"
17	S-19889	—	—	Washer
18	1085426	2	2	Cylinder Wheel
19	1085406	1	1	Cylinder Wheel Shaft
20	1086092	2	2	Retainer Ring
21	1085461	1	1	Cylinder Chain Retainer
22	1086267	2	2	Washer
23	1085456	—	—	Dowel Pin 5/16 x 2-1/4"
23	S-27487	—	—	Jam Nut 1-12
24	1085475	2	—	Cross Rail Assembly
	1085429	—	2	Cross Rail Assembly
25	1085476	1	—	Cross Rail
	1085430	—	1	Cross Rail
26	1085434	2	2	Rod Latch
27	1085437	2	2	Movable Rod Plate
28	S-3338	2	2	Spring
29	L086078	—	—	Washer
30	1086220	2	2	Chain Wheel Assembly
31	1085427	4	4	Hex Hd Bolt 3/4-10 x 4"
32	1086223	4	4	Spacer
33	1085442	1	1	Chain Retainer
34	1086290	4	4	Socket Hd Bolt 5/16-18 x 2-1/2"
35	S-16330	—	—	Locknut 5/16-18
36	G-103326	—	—	Lockwasher 3/4"
37	S-3319	4	4	Hex Nut 3/4-16
38	S-20937	4	4	Locknut 3/4-16
39	S-700	4	4	Hex Hd Bolt 1/2-13 x 1-3/4"
40	S-18432	—	—	Washer
41	S-512	—	—	Lockwasher
42	S-506	—	—	Hex Nut 1/2-13
43	1086257	2	2	Socket Hd Bolt 5/16-18 x 3"
44	1086224	2	2	Adjusting Bolt
45	1085447	2	2	Spacer
46	1085451	2	2	Locknut 1-12
47	1085478	2	—	Chain 3/4 x 194-1/4"
	1085453	—	2	Chain 3/4 x 206-1/4"
48	1085479	1	—	Chain 3/4 x 90-3/4"
	1085454	—	1	Chain 3/4 x 114-3/4"
49	1085480	1	—	Chain 3/4 x 249-3/4"
	1085455	—	1	Chain 3/4 x 279-3/4"
50	1085399	2	2	Mast Slave Side
51	1085398	1	1	Mast Rear
52	1085397	1	1	Mast Front
53	1086130	16	16	Anchors
54	1085446	4	4	Rod
55	1086802	1	1	Power Unit
56	1085280	1	1	Hose 40"
57	1085883	1	1	Hose 102"
58	S-7428	4	4	Hex Hd Bolt 5/16-18 x 3/4"
59	1086283	4	4	Elbow



2 & 4 POST  
SURFACE LIFTS

**WEAVER**

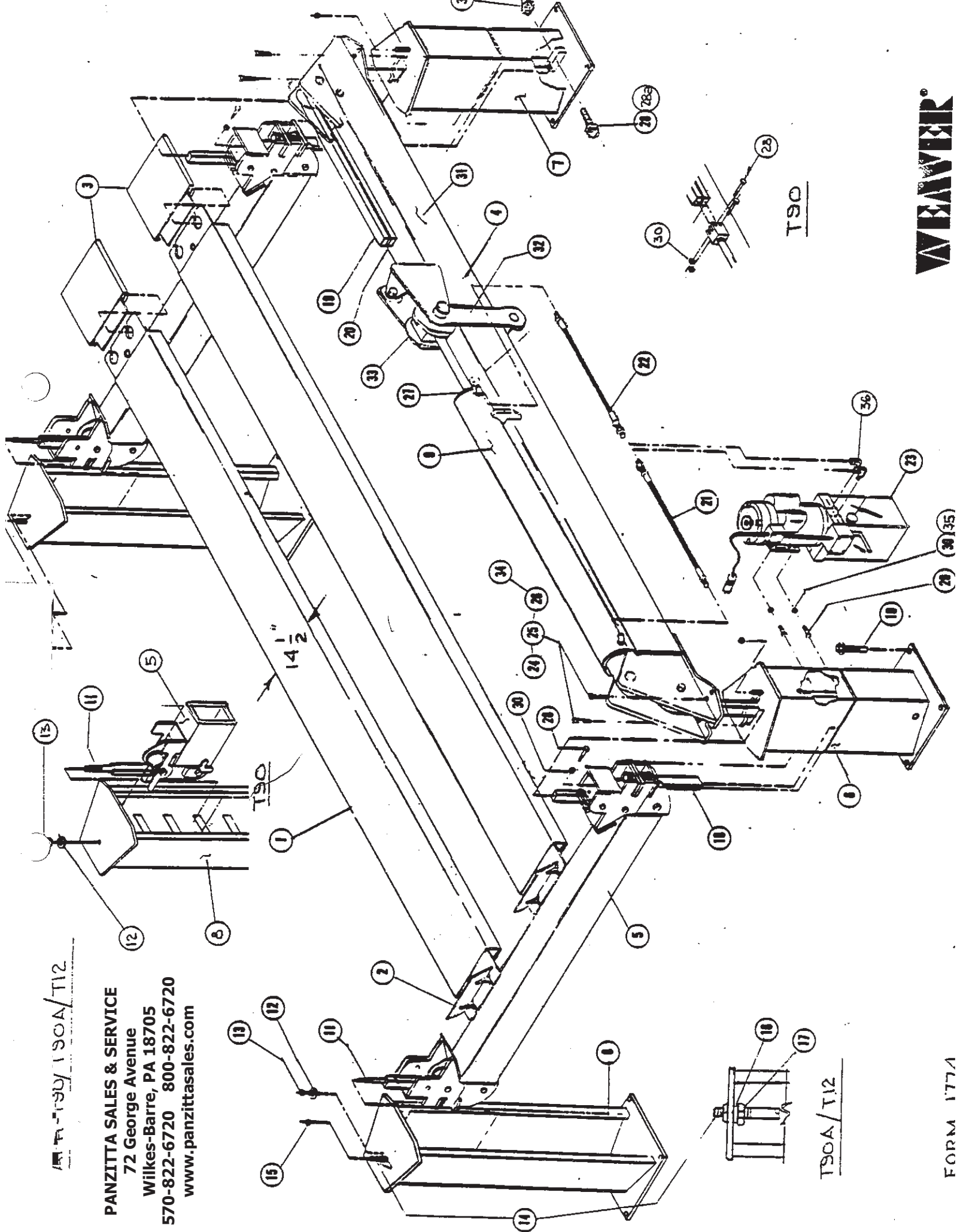
# 2 & 4 POST SURFACE LIFTS PUMP/MOTOR

**WEAVER**

ITEM	PART NO.	QTY.	DESCRIPTION
1	1086802	1	MOTOR/PUMP ASSEMBLY
2	1086805	1	MOTOR (STD - SINGLE PHASE; 60 CYC; 115/220V)
3	1086722	1	VALVE BODY
4	1086720	1	RELIEF VALVE
5	S-1806	1	PIPE PLUG, 3/8 NPT
6	1086719	1	CHECK VALVE
7	1086138	1	90° ELBOW, MALE, 3/8 NPT x 1/2" LINE (2-POST)
	1086263	1	90° ELBOW ADAPTER, 3/8 NPT (4-POST)
8	1086721	1	DUMP VALVE
9	1086813	1	PUMP ASSEMBLY (INCLUDES ITEMS 10; 15; 17; #18)
10	1086729	1	PUMP
11	1086728	1	SUCTION LINE
12	1086740	1	FILTER
13	1085601	1	RESERVOIR
14	S-17574	4	HEX. CAPSCREW, 1/4-20 x 1
15	1086812	2	HEX. CAPSCREW, 5/16-24 x 2 1/2
16	1085828	1	O RING SEAL
17	1086811	1	COUPLING, DRIVE
18	1086810	1	SPRING
19	1086732	2	HEX. CAPSCREW, 3/8-16 x 1 1/2 (MTR)
20	1086730	1	BREATHER
21	1086738	1	BUSHING (HEYCO)
22	1086733	1	SWITCH, PIN PLUNGER
23	1086734	1	ACTUATOR (BUTTON)
24	1086871	1	COVER
25	1086741	1	PLUG - MALE (ELEC.)
26	1086731	1	WIRE, MOTOR

FR TSOA/T12

PANZITTA SALES & SERVICE  
72 George Avenue  
Wilkes-Barre, PA 18705  
570-822-6720 800-822-6720  
www.panzittasales.com



ITEM	PART NUMBER				DESCRIPTION
		AFH-T90	AFH-T90A	AFH-T12	
1	1085481	2	2	-	RUNWAY
	1085444	-	-	2	RUNWAY
2	1086244	2	2	2	RAMP STOP PLATE
3	1086240	2	2	2	RAMP
* 4	1086247	1	-	-	TOP RAIL ASSEMBLY
	1085470	-	1	-	" " " "
	1085408	-	-	1	" " " "
5	1086250	2	-	-	CROSS RAIL
	1085475	-	2	-	" "
	1085429	-	-	2	" "
6	1085398	-	1	1	MAST, REAR
6 & 7	1086246	2	-	-	" " , POWER SIDE
7	1085397	-	1	1	" " , FRONT
8	1086247	2	-	-	" " , SLAVE SIDE
	1085399	-	2	2	" " , " " "
9	1086267	1	1	1	CYLINDER
10	1086130	16	16	16	ANCHORS
11	1086224	2	2	2	ADJUSTING BOLT, 1"-12 THD.
12	1086206	2	-	-	SPACER, 1"
	1085447	-	2	2	" " , 1"
13	1087051	2	-	-	L'NUT, 1"-12
	1085451	-	2	2	" " , 1-12
14	1085448	-	4	4	ROD, THD. (3/4" THD.)
15	S-20937	-	4	4	L'NUT, 3/4" 16
16	G-103326	-	4	4	L'WASHER, 3/4"
17	S-3119	-	4	4	HEX NUT, 3/4"-16

ITEM	PART NUMBER				DESCRIPTION	
		AFH-T90	AFH-T90A	AFH-T12		
18	1086254	2	-	-	CHAIN, 3/4" x 195 1/4"	BL-634
	1085478	-	2	-	" , 3/4" x 194 1/4"	" "
	1085453	-	-	2	" , 3/4" x 206 1/4"	" "
19	1086253	1			" , 1" x 97"	BL-844
	1085479	-	1	-	" , 3/4" x 90 3/4"	BL-646
	1085454	-	-	1	" , 3/4" x 114 3/4"	" "
20	1086252	1	-	-	" , 1" x 254"	BL-844
	1085480	-	1	-	" , 3/4" x 249 3/4"	BL-646
	1085455	-	-	1	" , 3/4" x 297 3/4"	" "
21	1086262	1	-	-	HOSE, 36" LONG	
22	1085280	1	1	1	" " , 40" "	
	1085683	-	1	1	" " , 102" "	
23	1086261	1	1	1	POWER UNIT	
24	S-700	4	4	4	HEX. BOLT, 1/2-13 x 1 3/4	
25	S-18432	8	8	8	WASHER, 1/2"	
26	S-512	4	4	4	L'WASHER, 1/2"	
27	1085456	-	2	2	DOWEL PIN	
28	1086257	4	4	4	SOC. HD. BOLT 5/16-18 x 3", GR-3.	
28a	1086250	4	2	2	SOC. HD. BOLT 5/16-18 x 2 1/2", GR-3.	
29	S-4395	4	-	-	HEX. BOLT, 1/4-20 x 1"	
	S-7428	-	4	4	" " , 5/16-18 x 3/4"	
30	1086256	4	-	-	L'NUT, 1/4"-20	
	S-16330	-	10	10	" " , 5/16-18	
31	1085471	-	1	-	RAIL W.A.	
	1085409	-	-	1	RAIL W.A.	

**PANZITTA SALES & SERVICE**  
 72 George Avenue  
 Wilkes-Barre, PA 18705  
 570-822-6720 800-822-6720  
[www.panzittasales.com](http://www.panzittasales.com)

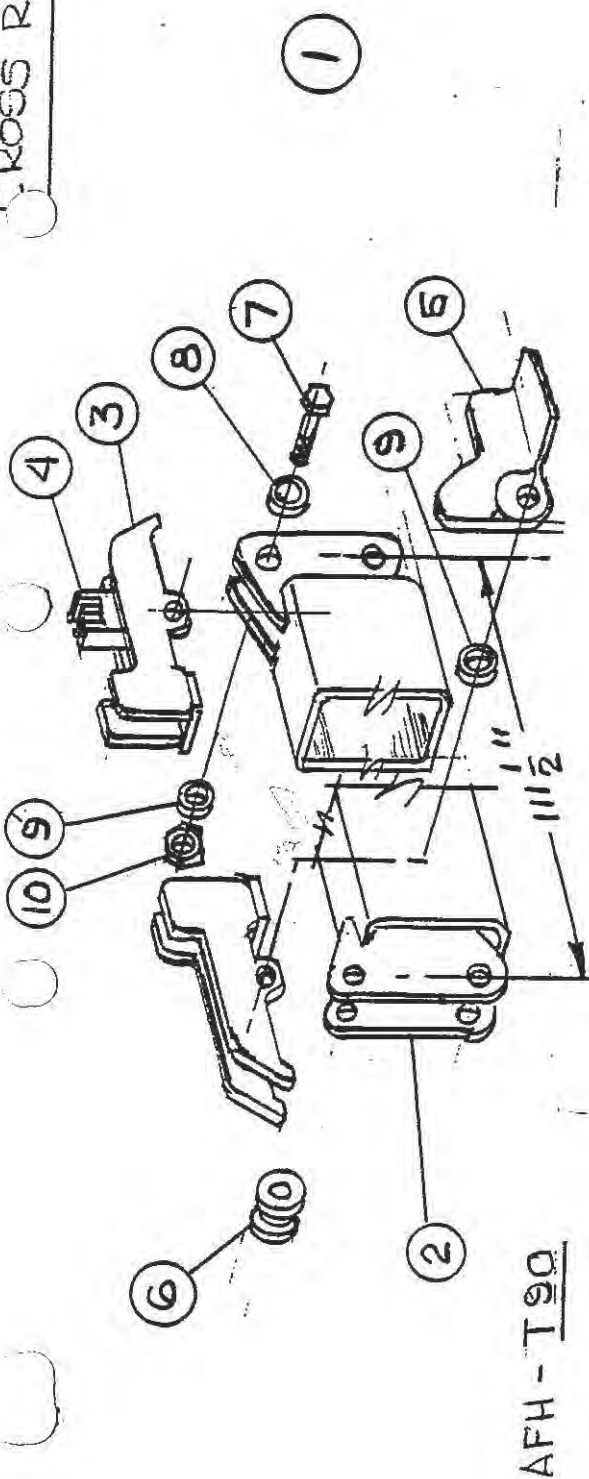




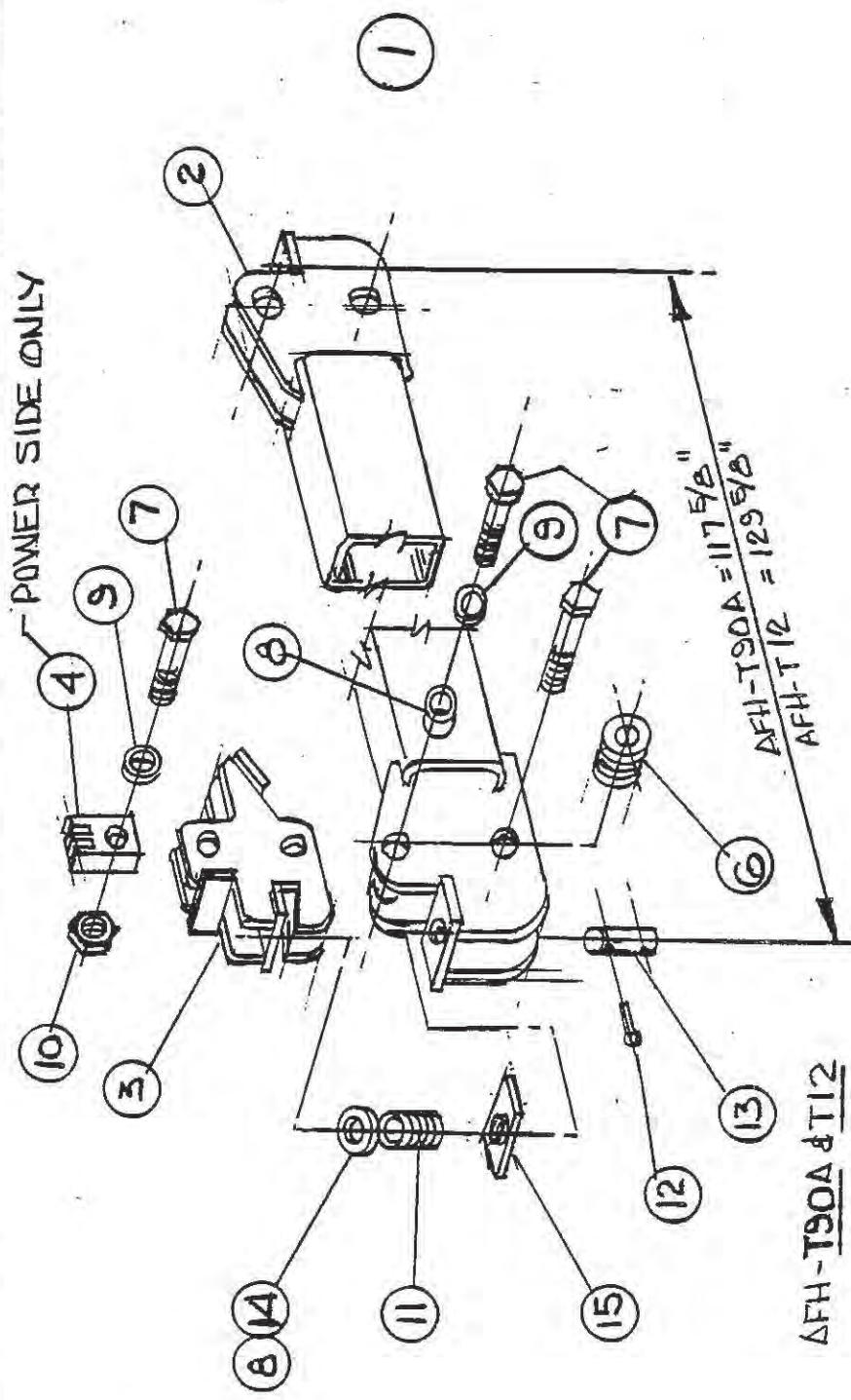
CROSS RAIL PA 3

PANZITTA SALES & SERVICE  
72 George Avenue  
Wilkes-Barre, PA 18705  
570-822-6720 800-822-6720  
www.panzittasales.com

WEAVER



AFH-T90



POWER SIDE ONLY

AFH-T90A & T12

ITEM	QTY	AFH-T90	QTY	AFH-T90A	QTY	AFH-T12	DESCRIPTION
1	2	1086250	2	1085475	2	1085429	CROSS RAIL ASSEMBLY
2	2	—	2	1085476	2	1085430	CROSS RAIL
3	2	1086237	—	—	—	—	LATCH
	—	—	2	1085434	2	1085434	LATCH
4	1	1086222	1	1085442	1	1085442	CHAIN RETAINER
5	2	1086238	—	—	—	—	RELEASE PAWL
6	2	1086220	2	1086220	2	1086220	WHEEL ASSEMBLY
7	3	6 223833	4	1085681	4	1085681	HEX. HD. BOLT, $\frac{3}{4}$ "NF x $4\frac{1}{2}$ "(GR. 8)
8	6	1086223	4	1086223	—	—	SPACER
9	4	5-26687	12	5-19989	12	5-19989	WASHER
10	3	1086265	4	5-17729	4	5-17729	HEX NUT, $\frac{3}{4}$ "NF(SO) L'NUT (T90A & 12)
11	—	—	2	5-3338	2	5-3338	COMP. SPRING
12	—	—	4	5-107	4	5-107	COTTER, $\frac{1}{8}$ " x 1
13	—	—	2	1085443	2	1085443	SHIPPING DOWEL
14	—	—	2	1086078	2	1086078	WASHER, $2^{\text{nd}}$ x $\frac{13}{16}^{\text{th}}$ x .147
15	—	—	2	1085437	2	1085437	ROD PLATE

CROSS RAIL PARTS LIFT

8/82

VEK

ITEM	QTY	AFH-T90	QTY	AFH-T90A	QTY	AFH-T12	DESCRIPTION
1	3	1086214	3	1086214	3	1086214	WHEEL
2	3	G 223833	3	1085681	3	1085681	3/4"-10 x 4 1/2 BOLT (GR.8)
3	6	1086216	6	1086216	6	1086216	RETAINER
4	1	1086213	1	1086213	1	1086213	PIVOT PIN
5	2	S-22770	2	S-9162	2	S-9162	SPRINGS LOCK PIN(90)- COITER(90A&12)
6	1	1086267-1	1	1086267	1	1086267	CYLINDER
7		N/A	1	1086288	1	1086288	3/4"-10 x 6 1/2 BOLT (GR.8)
8		N/A	2	1085424	2	1085424	ARM
9	1	1086212	1	1085461	1	1085461	CYL-CHAIN RETAINER
10		N/A	2	1085426	2	1085426	WHEEL
11		N/A	1	1085421	1	1085421	LATCH ARM
12		N/A	2	1086092	2	1086092	RETAINING RING
13		N/A	1	1085406	1	1085406	SHAFT
14	5	1027044	5	S-17729	5	S-17729	3/4-10 LOCK NUT
15		N/A	3	S-19989	3	S-19989	WASHER
16		N/A	1	1085425	1	1085425	RETAINER (SPACER)
17		"	2	1085456	2	1085456	DOWEL PINS (CYL-CHAIN)
18		"	2	1086287	2	1086287	WASHERS
19		"	1	1085471	1	1085409	TOP RAIL
20	1	1086247	1	1085470	1	1085408	TOP RAIL ASSEMBLY
21		N/A	1	S-27487	1	S-27487	JAM NUT, 1"-12

TOP RAIL PARTS LIST

12/82/E

**PANZITTA SALES & SERVICE**  
 72 George Avenue  
 Wilkes-Barre, PA 18705  
 570-822-6720 800-822-6720  
 www.panzittasales.com

TOP RAIL PARTS LIST

**PANZITTA SALES & SERVICE**  
 72 George Avenue  
 Wilkes-Barre, PA 18705  
 570-822-6720 800-822-6720  
 www.panzittasales.com

