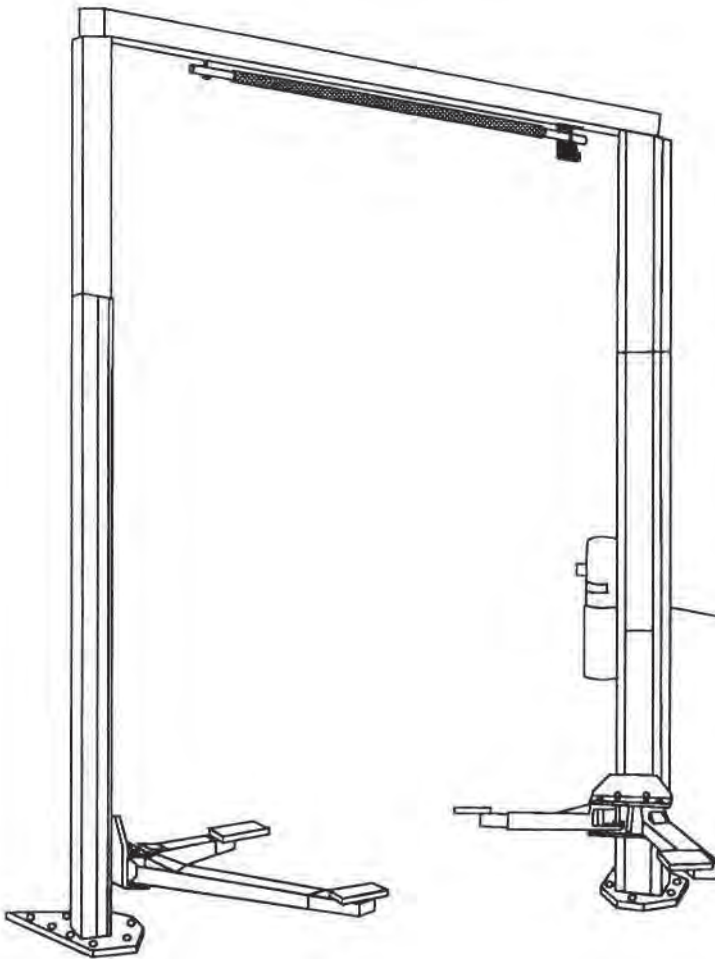


# ROTARY LIFT

P.O. Box 1560 Madison, IN. 47250  
 WORLD LEADER IN LIFT SYSTEMS  
 A **DOVER** INDUSTRIES COMPANY

# MODELS:SPOA7 SPOA9 PARTS BREAKDOWN



ETL Listed



**PANZITTA SALES & SERVICE**  
 72 George Avenue  
 Wilkes-Barre, PA 18705  
 570-822-6720 800-822-6720  
 www.panzittasales.com



**IMPORTANT:** When ordering parts or requesting service always give exact model and power unit serial number. Model number is shown on nameplate attached to base of Power Unit column. Power unit serial number is located on side of power unit reservoir.

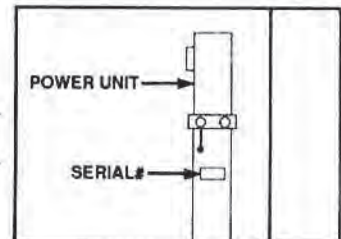
**NOTES:**

- New power unit models are now being used. Models are as follows:  
 SPOA7 single phase = P650  
 SPOA7 three phase = P651  
 SPOA9 single phase = P602  
 SPOA9 three phase = P604

**OWNERS RECORD**

Complete information at right and keep in a safe place.

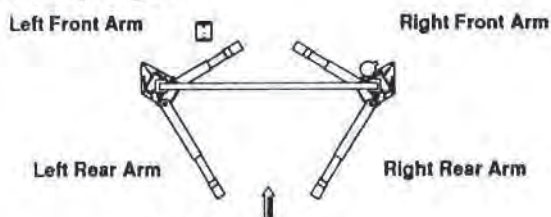
Date Installed \_\_\_\_\_ / \_\_\_\_\_ / \_\_\_\_\_  
 Installed In Bay # \_\_\_\_\_  
 Std. Pwr. Unit Serial # \_\_\_\_\_ Model # \_\_\_\_\_  
 3 ph. Pwr. Unit. Serial # \_\_\_\_\_ Model # \_\_\_\_\_  
 Lift Serial # \_\_\_\_\_  
 Model No# \_\_\_\_\_



**SPOA7/9 PARTS LIST**

ITEM NO.	DESCRIPTION	SPOA7 PART NO.	SPOA9 PART NO.	ITEM NO.	DESCRIPTION	SPOA7 PART NO.	SPOA9 PART NO.
1	L.H. Column Assembly	FJ7643	FJ7653	38	Spring Pin, 1/4" dia. x 1 1/2" lg. (Stainless)	14427	14427
2	R.H. Column Assembly	FJ7644	FJ7654	39 †	† Adjustment Bolts & Washers	See Below	See Below
3	Column Extension	FJ7657	FJ7658	40	Gear Bolts 3/8"-16NC x 1 1/2" HHCS Grade 5	40200	40200
4	Left Hand Carriage Yoke Assembly	FJ7641	FJ7651				
5	Right Hand Carriage Yoke Assembly	FJ7642	FJ7652	41	3/8" Spring Washers	40818	40818
6	Left Front Outer Arm	FJ7647-1	FJ7661-1	42	Restraint Gear	FJ7750	FJ7750
7	Right Front Outer Arm	FJ7648-1	FJ7660-1	43	Slider Block	FJ7360	FJ7360
8	Left Rear Outer Arm	FJ7649-1	FJ7662-1	44	3/4" Concrete Anchor (16 Req'd)	FJ7380	FJ7380
9	Right Rear Outer Arm	FJ7649-1	FJ7662-1	45	1 1/2" O.D. x .760-.770" I.D. x .045" Thick Mach. Bushing	41388	41388
10	Hydraulic Cylinder	FJ7664	FJ7664				
11	Power Unit	See "NOTES" On Front Cover		46	1/4"-20NC x 2" HHCS	40109	40109
12	Power Unit Hose	FJ837	FJ837	47	1/4" — 20NC Insert Lock Nut	41423	41423
13	Branch Tee	FJ7668	FJ7668	48	1/8" x 1" Lg. Cotter Pin	41200	41200
14	5/16" - 18NC x 3/4" Lg. HHCS, External Tooth Lockwashers (5pcs.) & Hex Nuts	40224	40224	49@@	Limit Switch Assembly	FJ7613 @@	FJ7613 @@
15 *	* Front Inner Arm Assembly	FJ7256-2	FJ7491-6	50	Switch Bar Assembly	FJ7613-2	FJ7613-2
16 *	* Rear Inner Arm Assembly	FJ7150-2	FJ7493-6	51	R.H. Latch Sheave Bracket	FJ7444-14	FJ7444-14
17	Stop Bolt	FC576	FC576	52	R.H. Overhead Assembly	FJ7444-1	FJ7444-1
18	5/16 Plain Washer	40856	40856	53	3/8" — 16NC x 3/4" Long HHCS	40134	40134
19	High Step Adapter	FJ671-1	FJ671-1	54	3/8" Flat Washer	40820	40820
20	Low Step Adapter	FJ671-2	FJ671-2	55	Overhead Hose	FJ838	FJ839
21	Optional Rubber Adapter	FJ697	FJ697	56	Equalizer Cable Assembly	FJ7449	FJ7840
22	Adapter Pin	FJ671-3	FJ671-3	57	L.H. Overhead Assembly	FJ7445-1	FJ7445-1
23	3/32" Hog Ring For 1/2" Shaft (8 Req'd)	FJ671-6	FJ671-6	58	Locking Latch Cable Assembly	FJ7594-1	FJ7594-1
24	Adapter Swivel Pin	FJ79-6	FJ79-6	59	3/8" — 16NC x 1" Flanged HHCS	40144	40144
25	Bleeder Screw (specify manufacturer)	2 REQ'D	2 REQ'D	60	3/8" — 16NC Flanged Locknut,	40664	40664
26	Carriage Bumper (6" Long—2 Req'd)	FJ7391-2	FJ7391-2	61	Sheave Shaft	FJ7444-8	FJ7444-8
27	Arm Pin	FJ7834	FJ7838	62	Bracket	FJ7613-1	FJ7613-1
28	Approach Bumper (Door-18" Lg-2 Req'd)	FJ7391-1	FJ7391-1	63	1/4"-20NC x 3/4" HHCS	40104	40104
29	1/2" — 13NC Hex Lock Nut	40703	40703	64	L.H. Latch Sheave Bracket	FJ7445-6	FJ7445-6
30	3/16" x 2" Long Cotter Pin	41250	41250	65	Locking Latch Sheave	FJ7322	FJ7322
31	Truarc #5304-75 Klipping for 3/4" Shaft	41411	41411	66	Truarc Klip #5304-37 for 3/8" Shaft	41410	41410
32	Sheave	FJ7116-1	FJ7116-1	67	Hose Clip (4 Req'd)-Overhead	FJ7206	FJ7206
33	Wheel Spotting Dish	FF729	FF729	68	Hose Clip (6 Req'd)-Columns	FJ7499	FJ7499
34	Actuator Pin	FJ7646-1	FJ7656-1	69	#10 — 24NC x 3/8" Lg. Slotted HHTS (For Overhead)	40033	40033
35	Retaining Ring	FJ7646-2	FJ7646-2		3/16" — 18NC x 3/8" Lg. Slotted PHMS (For Columns)	40227	40227
36	Arm Restraint Spring	FJ7813-10	FJ7656-2	70	1/4"-20NC X 3/4" LG.HHCS	40099	40099
37	120T Gear Block	FJ7749	FJ7749	71	1/4"-20NC Flanged Locknut	40641	40641
37b	1/4"-20NC Zinc Hex Nut	40627	40627	72	3/8"-16NC x 3/8" Lg. Flanged HHCS	40122	40122

**Wheel Spotting Dish**



† Adjustment bolt, spring washer(s) and SAE washer(s) determined at assembly. Used only if required.

\* Includes item No#'s 19, 20, 22, 23 & 24

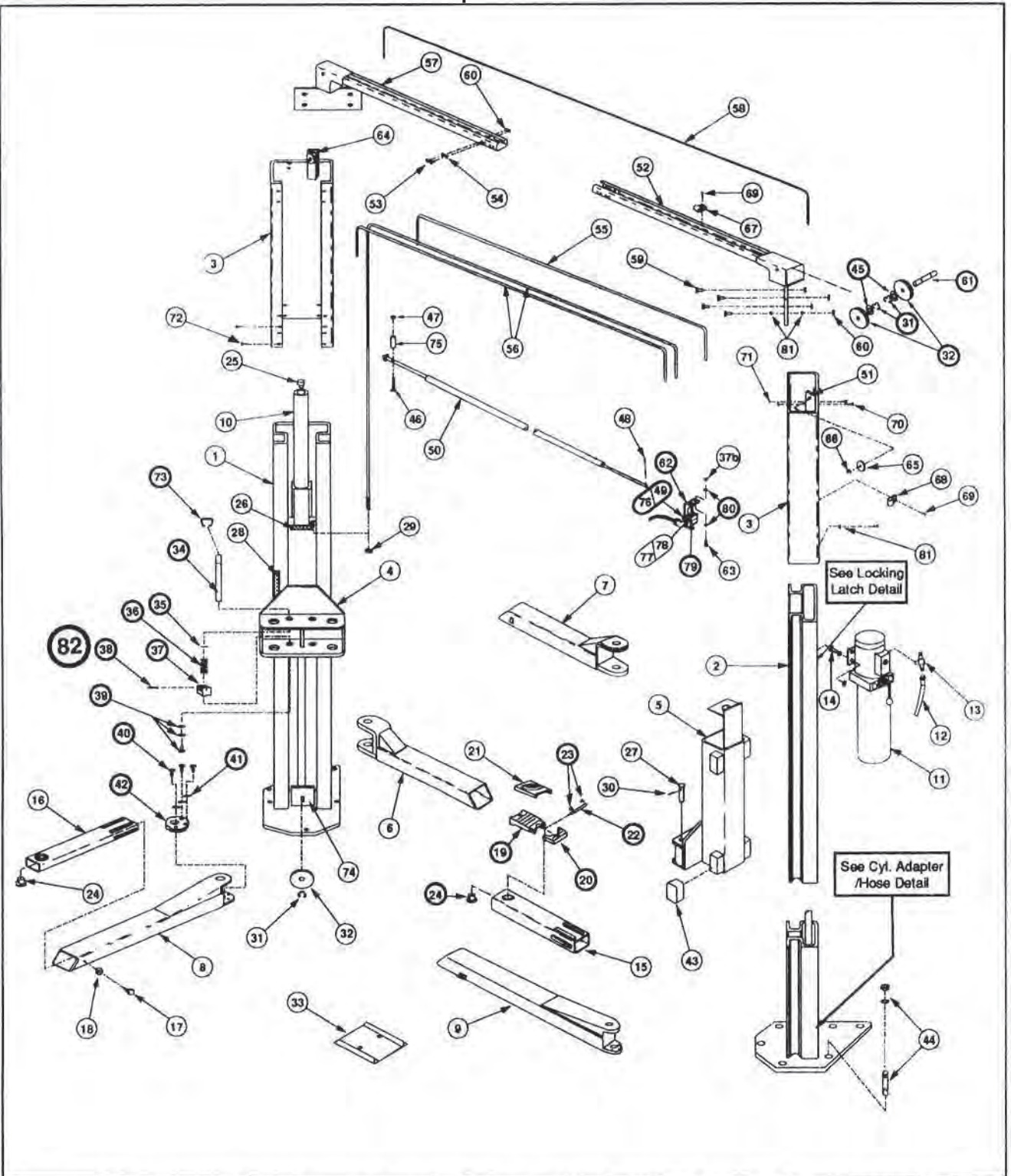
\*\* Includes item No#'s 34, 35, 36, 37, 38, 39, 40, 41, 42 & 73

Bolt - 5/16"-18NC x 5/8" Lg. SHCS  
 Spring Lock Washer - .078" thick  
 SAE Washer - 11/32" I.D. x 11/16" O.D. x 1/16" thick

@@ Includes item 62, 79 & 80

▲ For units using above 250V, 250V and lower use P461-2 switch.

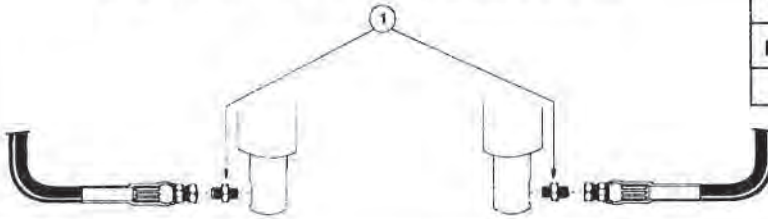
73	Actuator Pin Handle	FJ7985-1	FJ7985-1
74	Sheave cover & (1) 1/4"-20 PHMS x 3/8" Lg. Plated	FJ7382-16	FJ7382-16
75	3/4" Spacer	FJ7871	FJ7871
76@@	3 Phase Limit Switch Assy. For Units Using Above 250V.	FJ7979	FJ7979
77	Single Phase Limit Switch (only)	P461-2	P461-2
78 ▲	Three Phase Limit Switch (only)	FJ7979-1	FJ7979-1
79	Limit Switch Bracket Cover	FJ7979-2	FJ7979-2
80	1/4" External Tooth Lockwasher	40779	40779
81	3/8" External Tooth Lockwasher	40845	40845
82 **	Arm Restraint Kit (1 Arm)	FJ7888	FJ7888



For Extended Height Models Use Part Numbers Below As Cross Reference, All Other Parts Are Common

	#3-Column Extensions	#55-Overhead Hose	#56-Equalizer Cables	#58-Locking Latch Cable
SPOA7 EH-1	FJ7665	FJ840	FJ7545	FJ7595-1
SPOA7 EH-2	FJ7666	FJ841	FJ7546	FJ7595-1
SPOA9 EH-1	FJ7667	FJ842	FJ7841	FJ7595-1
SPOA9 EH-2	FJ7665	FJ843	FJ7842	FJ7595-1

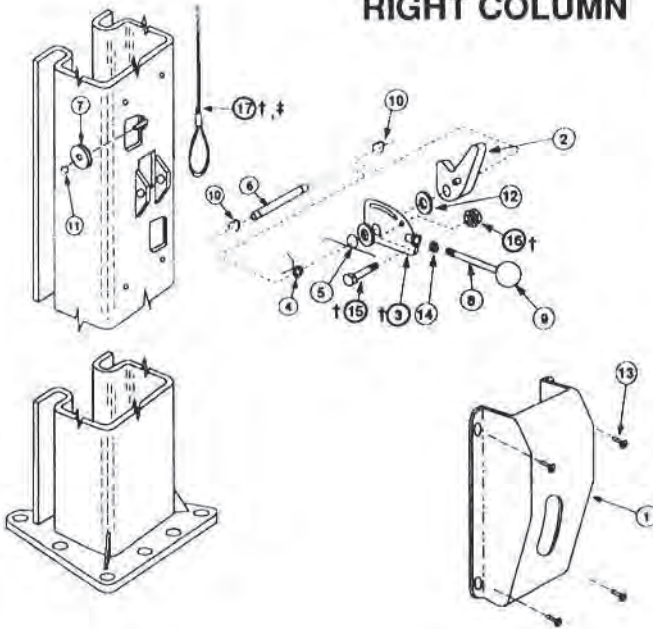
## CYLINDER ADAPTER / HOSE DETAIL



### CYLINDER ADAPTER/HOSE DETAIL PARTS LIST

ITEM NO.	DESCRIPTION	PART NO.
1	Straight Adapter	FJ7352-3

## RIGHT COLUMN

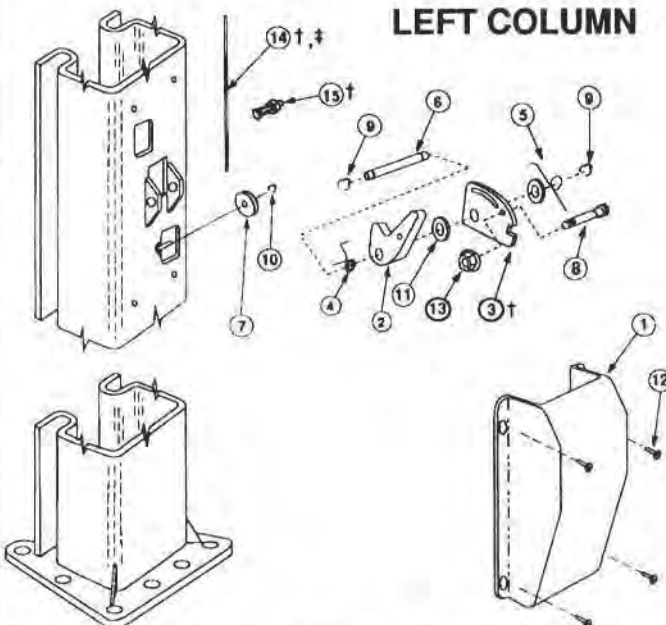


### LOCKING LATCH DETAIL PARTS LIST

ITEM NO.	DESCRIPTION	PART NO.
1	Control Side Cover	FJ7452
2	Locking Latch Dog	FJ7382-7
3	Control Plate	FJ7594-2
4	Spring	FJ7566-10
5	Spring	FJ7382-9
6	Latch Shaft	FJ7382-34
7	Locking Latch Sheave	FJ7322
8	Handle	FJ7382-18
9	Ball Handle	FC134-91
10	Truarc Klipring #5304-75 for $\frac{3}{4}$ " Shaft	41411
11	Truarc Klipring #5304-37 for $\frac{3}{8}$ " Shaft	41410
12	1 $\frac{1}{2}$ " O.D. x $\frac{3}{4}$ " I.D. x .045" Mach. Bush.	41388
13	$\frac{5}{16}$ " - 18NC x $\frac{3}{8}$ " Lg. Slotted Pan Hd. Screw	40227
14	$\frac{3}{8}$ " - 18NC Hex Jam Nut	40658
15 †	Shoulder Bolt, $\frac{5}{16}$ " x 1" - $\frac{1}{4}$ " 20 NC	40220
16 †	Flanged Locknut, $\frac{1}{4}$ " - 20 NC	41423
17 †	Latch Cable	FJ7594-1
‡	For EH-1 & EH-2 Models Both OA7 & 9	FJ7595-1

† - Locking Latch Retrofit Kit FJ7594; FJ7595 (EH-1 & 2)  
Includes: 1 pc. #3, 1 pc. #17, 2 pcs. #15, 2 pcs #16,  
1 pc. #3 (left side below), 1 pc. #15 (left side below)

## LEFT COLUMN



### LOCKING LATCH DETAIL PARTS LIST

ITEM NO.	DESCRIPTION	PART NO.
1	Latch Cover	FJ7451
2	Locking Latch Dog	FJ7382-7
3†	Control Plate	FJ7382-5
4	Spring	FJ7566-10
5	Spring	FJ7382-9
6	Latch Shaft	FJ7382-34
7	Locking Latch Sheave	FJ7322
8	Shoulder Bolt $\frac{5}{16}$ " x 1" - $\frac{1}{4}$ " 20NC	40220
9	Truarc Klipring #5304-75 for $\frac{3}{4}$ " Shaft	41411
10	Truarc Klipring #5304-37 for $\frac{3}{8}$ " Shaft	41410
11	1 $\frac{1}{2}$ " O.D. x $\frac{3}{4}$ " I.D. x .045" Mach. Bush.	41388
12	$\frac{5}{16}$ " - 18NC x $\frac{3}{8}$ " Lg. Slotted Pan Hd. Screw	40227
13	Flanged Locknut, $\frac{1}{4}$ " - 20 NC	41423
14	Latch Cable	FJ7594-1
15	Latch Cable Clamp (BURNDY)	KS-15
‡	For EH-1 & EH-2 Models Both OA7 & 9	FJ7595-1

† Locking Latch Retrofit Kit FJ7594; FJ7595 (EH-1 & 2)  
(see Right Column for Items Included)

**Rotary Lift**®

**PANZITTA SALES & SERVICE**  
72 George Avenue  
Wilkes-Barre, PA 18705  
570-822-6720 800-822-6720  
www.panzittasales.com

INDEX 2.2.15 E