

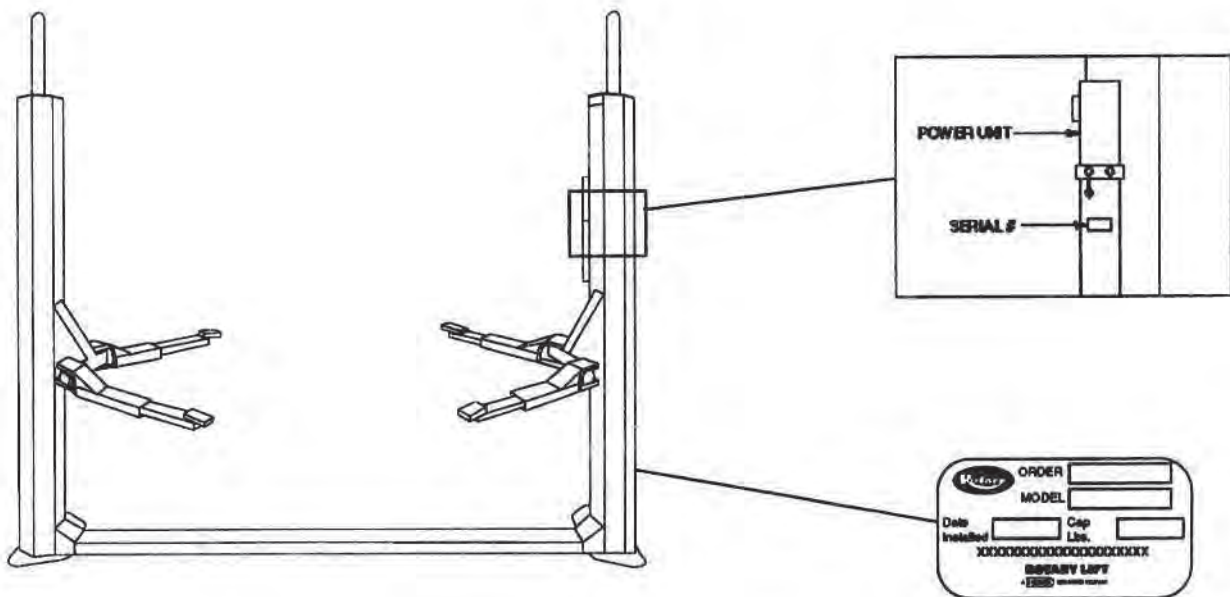
ROTARY LIFT

P.O. Box 30206, Memphis, TN 38130
 WORLD LEADER IN LIFT SYSTEMS

A **DOVER** INDUSTRIES COMPANY

MODEL SP88 PARTS BREAKDOWN

PANZITTA SALES & SERVICE
 72 George Avenue
 Wilkes-Barre, PA 18705
 570-822-6720 800-822-6720
 www.panzittasales.com

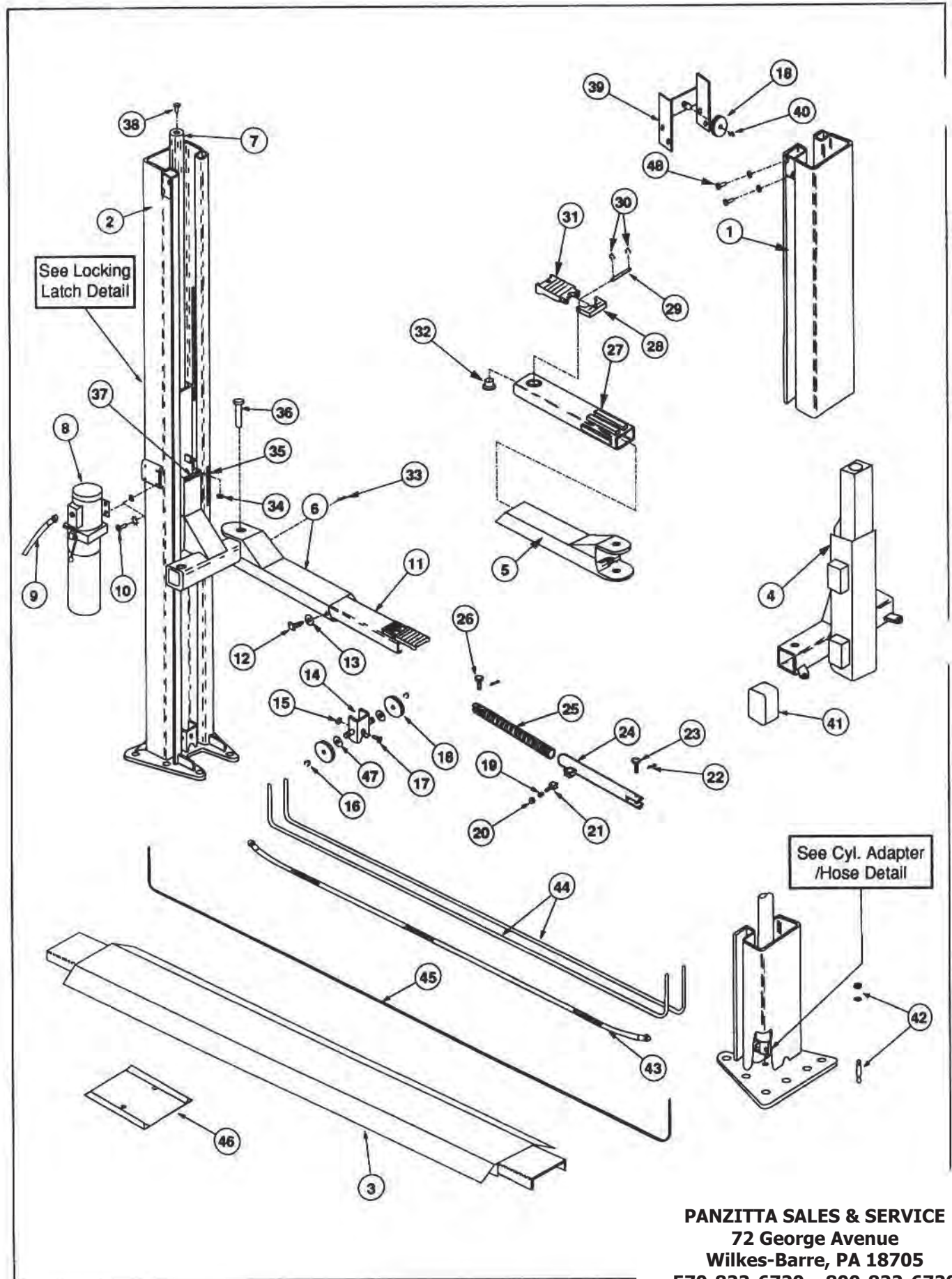


OWNERS RECORD

Complete information
 at right and keep in
 a safe place.

Date Installed / /
 Installed In Bay #
 Std. Serial # P502
 3 ph. Serial # P504
 Factory Order # L

IMPORTANT: When ordering parts
 or requesting service always give
 exact model and power unit
 number. Model number is shown
 on nameplate attached to side of
 power unit column, near base.
 Power unit serial number is located
 on side of power unit reservoir.



PANZITTA SALES & SERVICE
 72 George Avenue
 Wilkes-Barre, PA 18705
 570-822-6720 800-822-6720
www.panzittasales.com

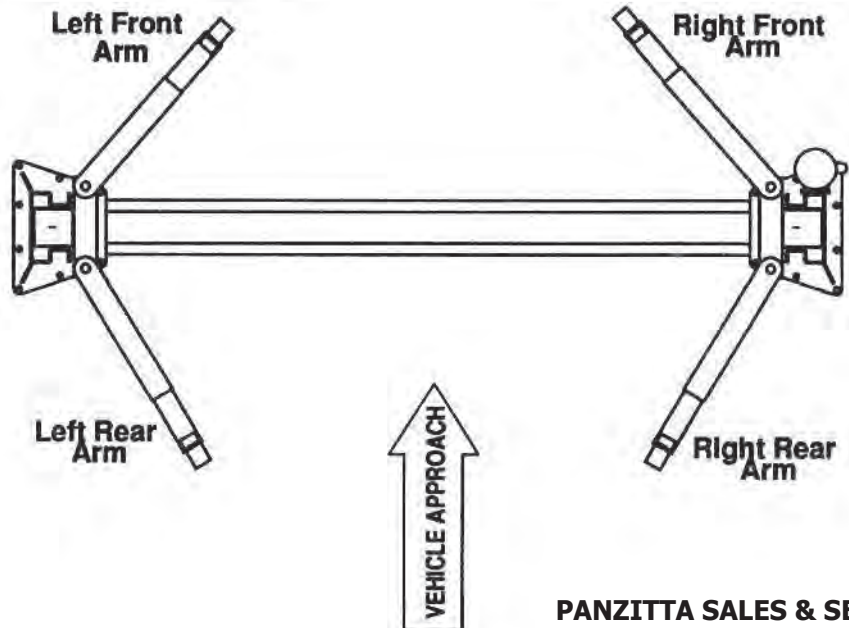
SP88 PARTS LIST

ITEM NO.	DESCRIPTION	PART NO.	ITEM NO.	DESCRIPTION	PART NO.
1	L.H. Column Assembly	FJ7425	27	Order with Complete Assembly Item #11	FJ7416-2
2	R.H. Column Assembly	FJ7426			
3	Center Cover Plate	FJ7430	28	Low Step Adapter	FJ671-2
4	Carriage Yoke Assembly	FJ7453	29	Adapter Pin	FJ671-3
5	Outer Arm*	FJ7455-1	30	3/32" Hog Ring for 1/2" Shaft	8 REQ'D
6	Outer Arm**	FJ7456-1	31	High Step Adapter	FJ671-1
7	Hydraulic Cylinder	FJ7311	32	Adapter Swivel Pin	FJ79-6
8	Power Unit	P502	33	3/16" x 2" Lg. Cotter Pin	4 REQ'D
9	Power Unit Hose	FJ818	34	1/2" — 13NC Hex Lock Nut	4 REQ'D
10	5/16"-18NC x 3/4" Bolt,Ext Tooth LW&Nut	4 REQ'D	35	Approach Bumper Door — (18" Lg.)	FJ7391-1
11	Inner Arm	FJ7416-2	36	Arm Pin	FJ7453-4
12	Stop Bolt	FC576	37	Carriage Bumper (6" Lg.)	FJ7391-2
13	5/16" Plain Washer	4 REQ'D	38	Bleeder Screw	2 REQ'D
14	Lower Sheave Shaft Assembly	FJ7425-6	39	Upper Sheave Bracket	FJ7428-3
15	1/4" — 20NC Flanged Lock Nut	2 REQ'D	40	Truarc #5304-75 Klipring for 3/4" Shaft	2 REQ'D
16	Truarc #5304-75 Klipring for 3/4" Shaft	4 REQ'D			
17	1/4" — 20NC Hex Cap Screw x 1" Lg.	2 REQ'D	41	Slider Block	FJ7360
18	Sheave	FJ7116-1	42	3/4" Concrete Anchor (16 Req'd)	FJ7380
19	Spring	FC134-9-7	43	Floor Hose	FJ7356
20	Ball Handle	FC134-9-10	44	Equalizer Cable Assembly	FJ7422
21	Plunger	FJ7233-25	45	Locking Latch Cable Assembly	FJ7594-1
22	1/8" x 3/4" Long Cotter Pin	8 REQ'D	46	Wheel Spotting Dish	FF729
23	Clevis Pin — Arm	F7233-22	47	1 1/2" O.D. x 3/4" I.D. x .045" Mach. Bush.	2 REQ'D
24	Outer Tube	FJ7359-3			
25	Rod	FJ7359-1	48	3/8"-16NC x 1" Hex Cap Screw & Lock Nut	8 REQ'D
26	Clevis Pin — Yoke	FJ7359-5			

* Used on both Right Front and Left Rear Arm of lift.

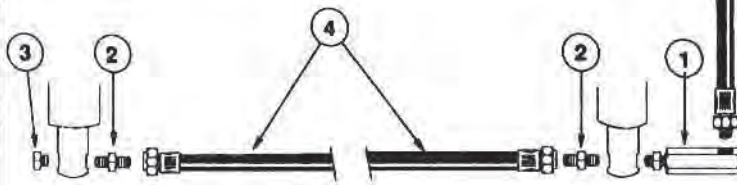
** Used on both Left Front and Right Rear Arm of lift.

Wheel Spotting Dish



PANZITTA SALES & SERVICE
 72 George Avenue
 Wilkes-Barre, PA 18705
 570-822-6720 800-822-6720
 www.panzittasales.com

CYLINDER ADAPTER / HOSE DETAIL

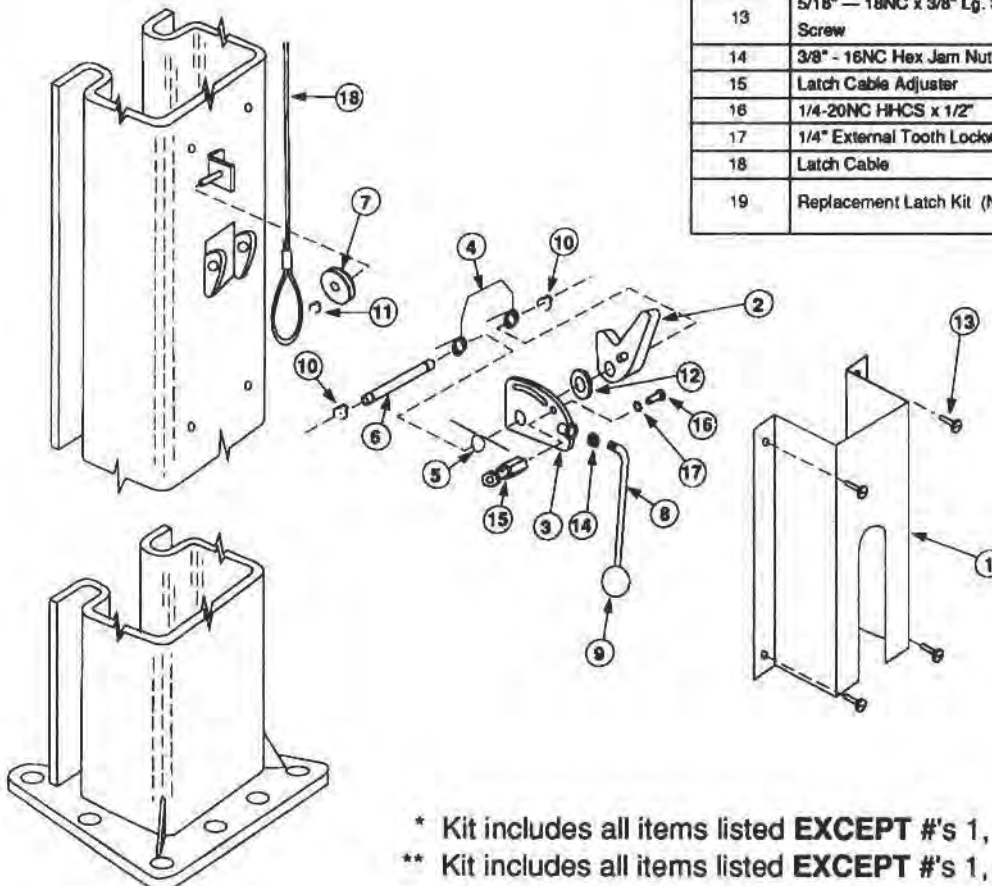


CYLINDER ADAPTER/HOSE DETAIL PARTS LIST

ITEM NO.	DESCRIPTION	PART NO.
1	Cylinder Adapter	FJ7353-2
2	Adapter	FJ7352-3
3	Plug	FJ7352-2
4	Floor Hose	FJ7356

LOCKING LATCH DETAIL PARTS LIST

ITEM NO.	DESCRIPTION	PART NO.	
1	Control Side Cover	FJ7452	
	Slave Side Cover	FJ7451	
2	Locking Latch Dog	FJ7382-7	
3	Control Plate	FJ7594-2	
4	Spring	FJ7382-2	
5	Spring	FJ7382-9	
6	Latch Shaft	FJ7382-3	
7	Locking Latch Sheave	FJ7322	
8	Handle	FJ7382-18	
9	Ball Handle	FC134-9-10	
10	Truarc Klipring #5304-75 for 3/4" Shaft	2 REQ'D	
11	Truarc Klipring #5304-37 for 3/8" Shaft	2 REQ'D	
12	1 1/2" O.D. x 3/4" I.D. x .045" Mach. Bush.	1 REQ'D	
13	5/16" — 18NC x 3/8" Lg. Slotted Pan Hd. Screw	4 REQ'D	
14	3/8" - 16NC Hex Jam Nut	1 REQ'D	
15	Latch Cable Adjuster	FJ7594-3	
16	1/4-20NC HHCS x 1/2"	2 REQ'D	
17	1/4" External Tooth Lockwasher	2 REQ'D	
18	Latch Cable	FJ7594-1	
19	Replacement Latch Kit (Not Shown)	R.H.	FJ7472*
		L.H.	FJ7473**



* Kit includes all items listed EXCEPT #'s 1, 13, 16, 17, 18.

** Kit includes all items listed EXCEPT #'s 1, 8, 9, 13, 16, 17, 18.