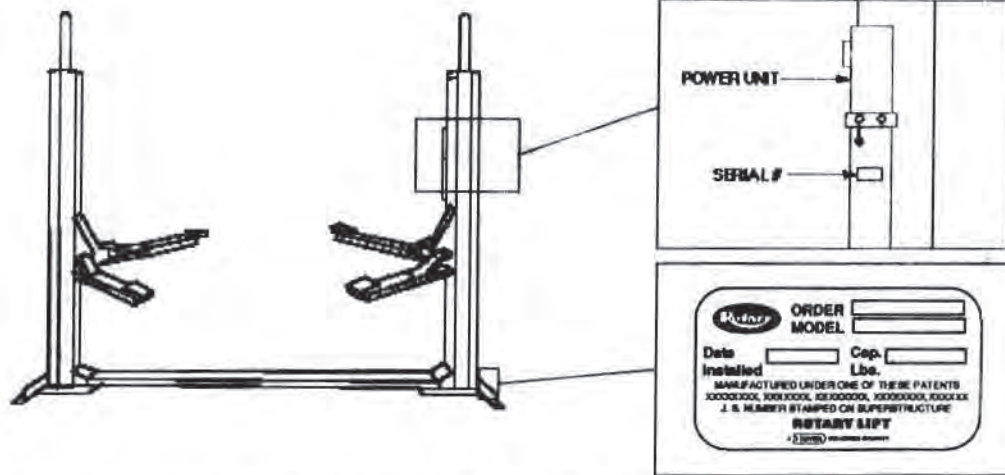


ROTARY LIFT

P.O. Box 38285, Memphis, TN 38130
WORLD LEADER IN LIFT SYSTEMS

A **DOVER** INDUSTRIES COMPANY

MODEL SP84/80 Mark II PARTS BREAKDOWN



REPLACEMENT PARTS

ITEM NO.	DESCRIPTION	PART NO.	ITEM NO.	DESCRIPTION	PART NO.
1	L.H. Column	FJ7284	22	Pad And Support Assembly (SP80)	FJ779
2	R.H. Column	FJ7285	23	Floor Hose	FJ88
3	Center Cover Plate	FJ7250	24	Foam Tape	FJ781-4
4	Carriage Yoke (SP84) (SP80)	FJ7242-1	25	Arm Pin	FJ730-4
		FJ7349-2	26	Wheel Spotting Dish	FF729
5	Right Rear Swinging Arm	FJ7239	27	Hose	FJ816
	Right Front Swinging Arm	FJ7240	28	1/4"-20NC HHCS x 2" Lg. Gd. 5	2 REQ'D
	Left Front Swinging Arm	FJ7241	29	3/4" Anchor Bolt (16 Req'd)	FJ7380
	Left Rear Swinging Arm	FJ7238	30	1/2"-13NC x 1" Lg. HHCS & LW	8 REQ'D
6	Hydraulic Cylinder	FJ7211	31	5/16" x 3/4" Bolt, Ext. Tooth LW & Nut	4 REQ'D
7	Power Unit	P502	32	L.H. Piping Assembly	FJ7215
8	Equalizer Cable	FJ776	33	1/2"-13NC Hex Nut, 1/2"-13NC Hex Jam Nut	4 REQ'D
9	Left Hand Arm (SP80)	FJ778	34	Rod	FJ7233-27
	Right Hand Arm (SP80)	FJ777		Outer Tube (L.H.)	FJ7233-7
10	Sliding Base	FJ775-1	35	Outer Tube (R.H.)	FJ7233-11
11	High Step Adapter	FJ871-1		Plunger Assembly	FJ7233-25
12	Low Step Adapter	FJ871-2	37	Clevis Pin	FJ7233-22
13	Adapter Pin	FJ871-3	38	1/8" x 1" Cotter Pin	8 REQ'D
14	Swivel Pin	FJ871-5	39	Spring	FC134-9-7
15	Adapter Assembly *	FJ775	40	Ball Handle	FC134-9-10
16	Upper Sheave Assembly	FJ719-6	41	3/8"-1" Socket Cap Screw	4 REQ'D
17	Locking Latch Assembly	FJ748	42	Optional Rubber Pad Adapter	FJ697
18	Sheave Kit	FJ797	43	Optional High Step Rubber Pad Adapter	FJ698
18a	Center Cover (SP80)	FJ7314	44	Arm Restraint Assembly (LH) **	FJ7516
19	R.H. Piping Assembly	FJ7214		Arm Restraint Assembly (RH) **	FJ7517
20	Bleeder Screw MF	2 REQ'D	45	3/32" Hog Ring For 1/2" Shaft	FJ671-8
21	Cylinder Adapter	FJ741-7			

* Adapter Assembly Includes Items 10-14, 45

** Arm Restraint Assembly Includes Items 34-40

OWNERS RECORD

Complete information
at right and keep in
a safe place.

Date Installed _____
Installed in Bay # _____
Std. Serial # _____ P502
3 ph. Serial # _____ P504
Factory Order # L _____

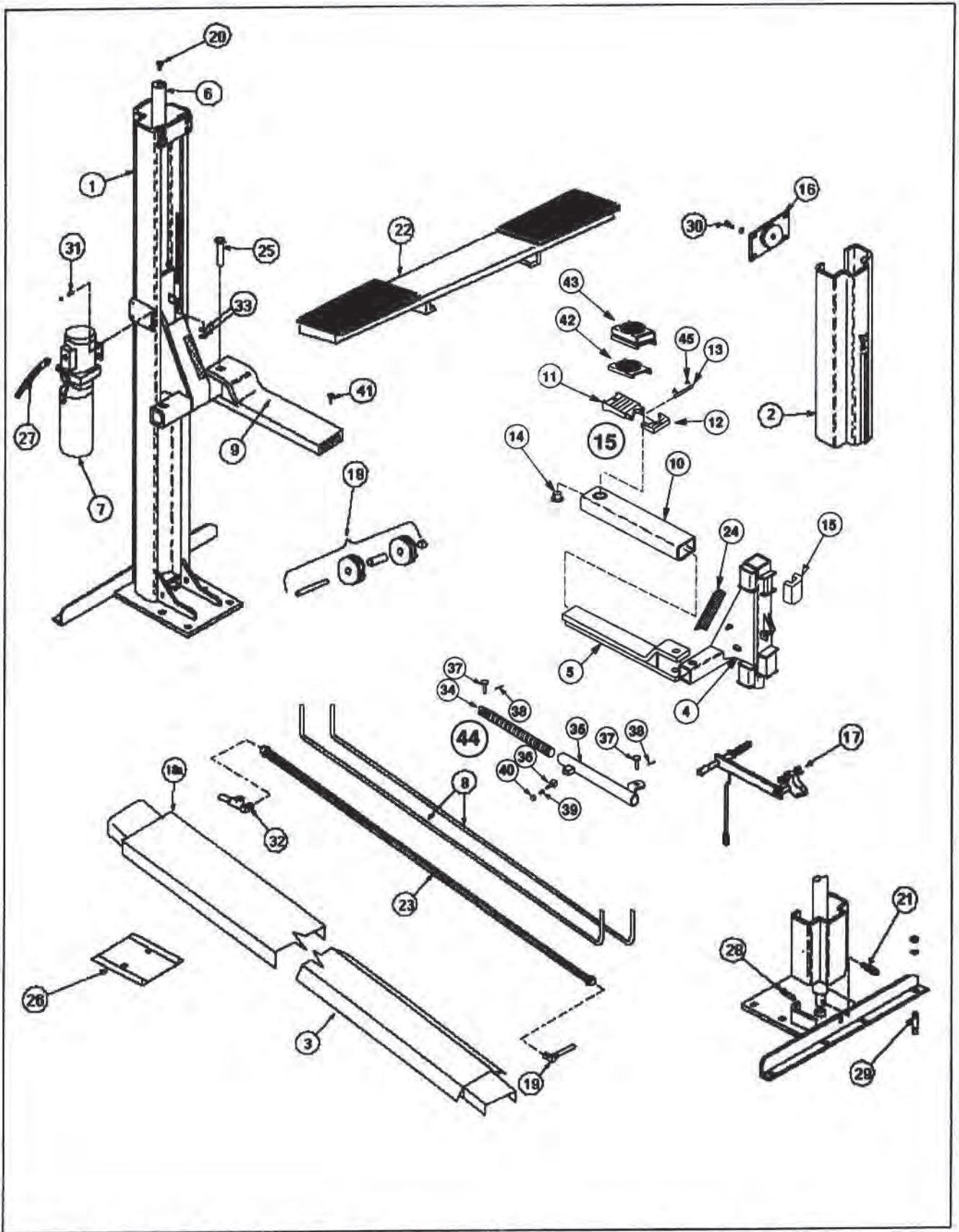
IMPORTANT: When ordering parts
always give exact model and power
unit serial number. Model number is
shown on nameplate attached to
base angle. Serial number is located
on side of power unit reservoir.

NOTE: For Replacement Parts -

Printed In USA 8 90 (R) 500

PANZITTA SALES & SERVICE
72 George Avenue
Wilkes-Barre, PA 18705
570-822-6720 800-822-6720
www.panzittasales.com

INDEX 2.1.#
Revised 8-90



ROTARY LIFT
 A DOVER INDUSTRIES COMPANY

INDEX 2.1.4

PANZITTA SALES & SERVICE
 72 George Avenue
 Wilkes-Barre, PA 18705
 570-822-6720 800-822-6720
 www.panzittasales.com