

**PARTS BREAKDOWN**



**PANZITTA SALES & SERVICE**  
72 George Avenue  
Wilkes-Barre, PA 18705  
570-822-6720 800-822-6720  
www.panzittasales.com

**NOTES:**

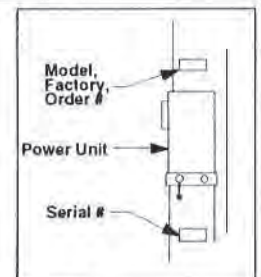
**IMPORTANT:** When ordering parts or requesting service, always give exact model and power unit serial number. Model number is shown on nameplate attached to power unit column. Power unit serial number is located on side of reservoir.

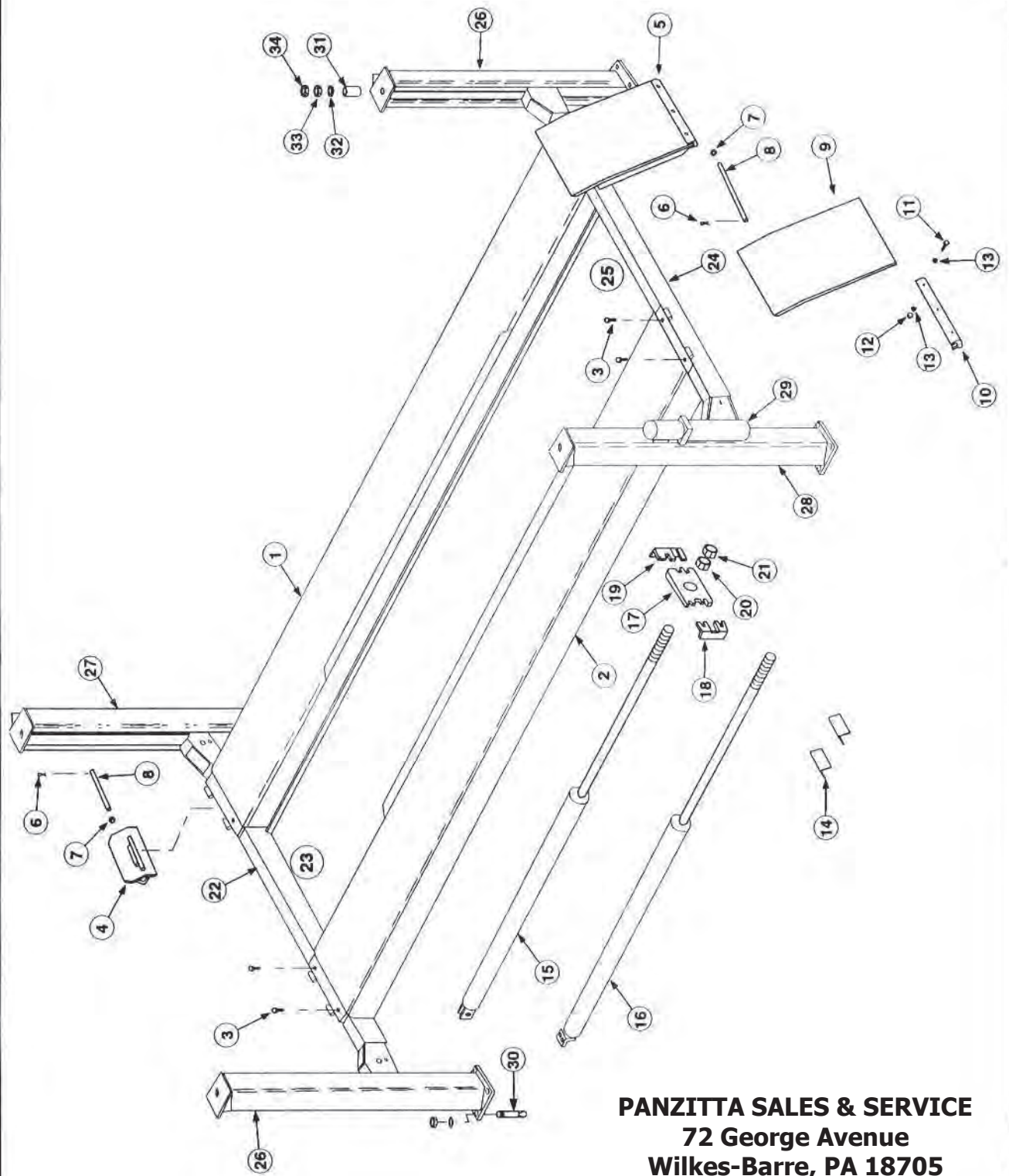
- A. The Hydraulic Cylinder Mounting Bracket was changed to a clevis type bracket 1/30/90, beginning with #L69049.
- B. Remote Release Air Locks were added 10/1/88, beginning with #L60275.
- C. Runway Hydraulic Tubing was replaced by Hydraulic Hose 4/1/89, beginning with #L63500.
- D. The Mounting Bracket on the Hydraulic Cylinder was changed from a clevis type to a bolt-on bracket on 2/15/91 beginning with L76135 for SM90 and on 2/28/91 beginning with L76064 for SM120.
- E. The Hydraulic Cylinder Mounting Bracket was changed back to a clevis type bracket 4/30/90, beginning with #L76815.

**OWNER'S RECORD**

Complete information at right and keep in a safe place.

Date Installed \_\_\_\_\_  
Installed In Bay # \_\_\_\_\_  
Std. Serial # \_\_\_\_\_ P609  
3 ph. Serial # \_\_\_\_\_ P610  
Factory Order # \_\_\_\_\_



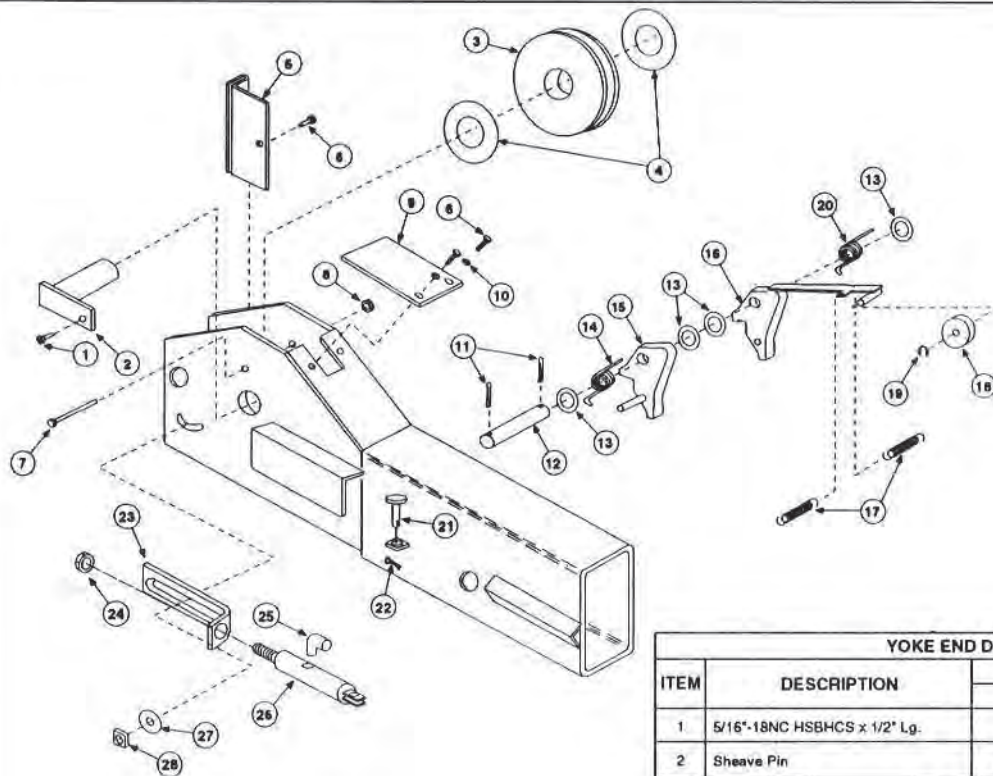


**PANZITTA SALES & SERVICE**  
 72 George Avenue  
 Wilkes-Barre, PA 18705  
 570-822-6720 800-822-6720  
[www.panzittasales.com](http://www.panzittasales.com)

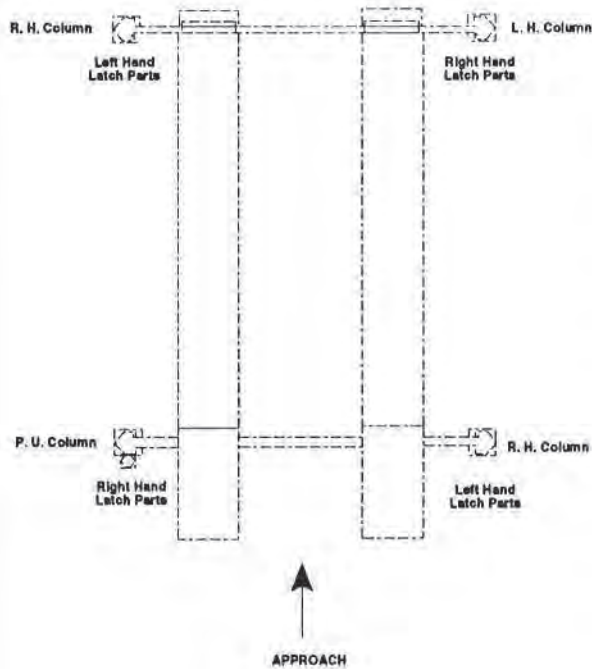
SM90 / SM120 PARTS			
ITEM NO.	DESCRIPTION	PART NO.	
		SM90	SM120
1	R.H. (Adjust.) Runway Assembly	FC5300	FC5299
2	L.H. (Fixed) Runway Assembly (Includes cylinder, cables and sheaves)	FC5354	FC5357
3	1/2" - 13NC x 1" HHCS (High Strength)	40260	
4	Wheel Stop	FC563	
5	Ramp Chock Assembly	FC5142	
6	5/32" x 1" Lg. Cotter Pin	41202	
7	5/8" Pushnut Fastener — TRW #PW625019 Or Equal	FC5179-4	
8	Hinge Pin	FC526-3	
9	Ramp Chock	FC5142-1	
10	Ramp Chock Slide	FC5142-3	
11	#10-24 PNHDMS x 3/4" Lg.	40030	
12	#10-24 Hex Nut	40630	
13	#10 Plain Washer	40785	
14	Triangular Wheel Chock	FC320	
15	Hydraulic Cylinder* (Clevis Mount)	FC5343	FC5342
16	Hydraulic Cylinder* (Bolt On Style Bkt.)	FC537	FC542
17	Cable Pull Bar	FC528	FC543
18	L.H. Cable Retaining Bar	FC528-3	FC543-3
19	R.H. Cable Retaining Bar	FC528-2	FC543-2
20	1 1/8"-7NC Hex Nut (SM90)	40769	N / A
	1 3/8"-6NC Hex Nut (SM120)	N / A	40771
21	1 1/8"-7NC Hex Jam Nut (SM90)	40770	N / A
	1 3/8"-6NC Hex Jam Nut (SM120)	N / A	40773
22	Front Yoke	FC5289-1	FC5293-1
23	Front Yoke Ass'y (Including Latches)	FC5289	FC5293
24	Rear Yoke	FC5290-1	FC5294-1
25	Rear Yoke Ass'y (Including Latches)	FC5290	FC5294
26	R.H. Column	FC5446	
27	L.H. Column	FC5445	
28	Power Unit Column	FC5447	
29	Power Unit Kit (includes power unit)	single phase	FA781
		3-phase	FA783
30	5/8" Anchor Bolt	FC5228	
31	Spacer	N/A	FC5287
32	3/4" Plain Washer	41020	N/A
33	3/4"-10NC Hex Nut	40760	N/A
	7/8"-9NC Hex Nut	N/A	40765
34	3/4"-10NC Hex Jam Nut	FC134-9-4	N/A
	7/8"-9NC Hex Jam Nut	N/A	40766

\* See Note A and D On Front Page

**PANZITTA SALES & SERVICE**  
**72 George Avenue**  
**Wilkes-Barre, PA 18705**  
**570-822-6720 800-822-6720**  
**www.panzittasales.com**



**TOP VIEW**

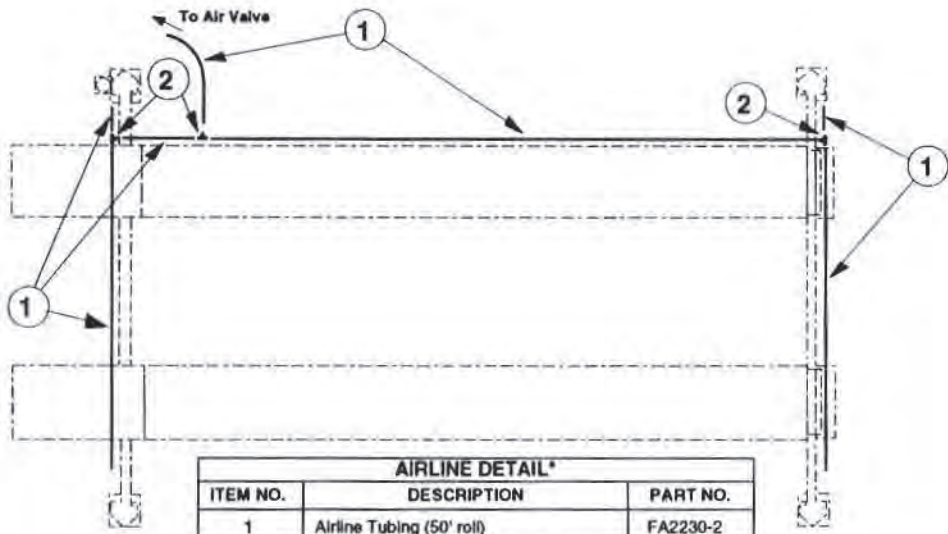


**YOKE END DETAIL\***

ITEM	DESCRIPTION	PART NO.	
		SM90	SM120
1	5/16"-18NC HSBHCS x 1/2" Lg.	40225	
2	Sheave Pin	FC522-34	FC5224-21
3	Sheave	FC522-5	FC548
4	Spacer	FC522-69	FC548-5
5	Slider	FC5301-07	
6	1/4" — 20NC HHTS x 1/2" Lg.	40067	
7	1/4" 20NC HHCS x 4" Lg.	40118	
8	1/4"-20NC Hex Nut	40625	
9	Rubber Guard	FC553-10	
10	1/4" Plain Washer	40780	
11	Cotter Pin, 1/8" X 1 1/4"	41201	
12	Latch Shaft	FC5224-17	
13	Washer	FC5301-98	
14	Left Hand Torsion Spring	FC5224-62	
15	Left Hand Locking Latch	FC522-17	
15	Right Hand Locking Latch	FC522-8	
16	Left Hand Slack Cable Locking Latch	FC553-20	
16	Right Hand Slack Cable Locking Latch	FC553-19	
17	Extension Spring	FC522-25	
18	Slack Cable Roller	FC553-21	
19	TRUARC 3/8" Snap Ring	41410	
20	Right Hand Torsion Spring	FC5224-63	
21	Clevis Pin	FA2230-12	
22	Cotter Pin, 3/32" x 1/2" Lg.	41165	
23	Slotted Bracket	FA2230-9	
24	1/4" x 28NF Hex Jam Nut	40622	
25	Elbow	FC5224-39	
26	Air Cylinder	FA2230-1	
27	3/8" Plain Washer	40816	
28	3/8" — 16NC Nylon Lock Nut	40657	

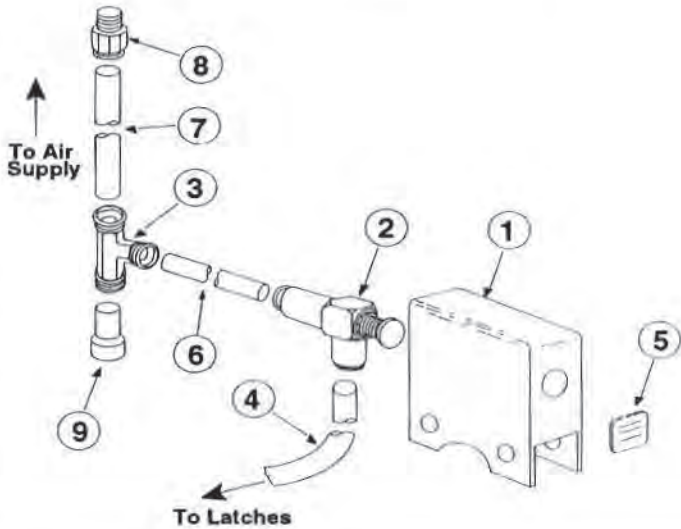
\*See Note B On Front Page

**PANZITTA SALES & SERVICE**  
**72 George Avenue**  
**Wilkes-Barre, PA 18705**  
**570-822-6720 800-822-6720**  
**www.panzittasales.com**



AIRLINE DETAIL*		
ITEM NO.	DESCRIPTION	PART NO.
1	Airline Tubing (50' roll)	FA2230-2
2	Union Tee	FC5225-46

\*See Note B On Front Page

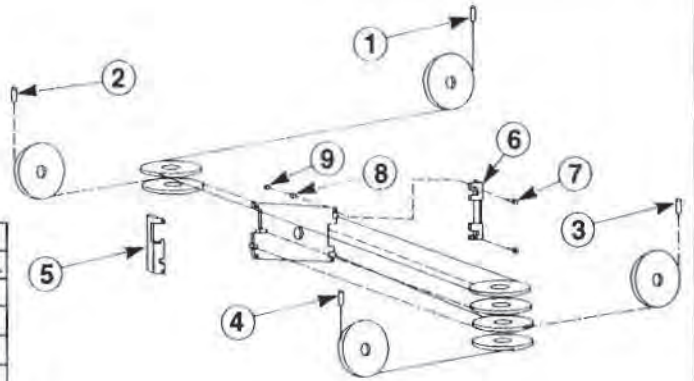


AIR LOCK RELEASE VALVE DETAIL*		
ITEM NO.	DESCRIPTION	PART NO.
1	Bracket**	FA3134-3
2	Air Valve**	FA3134-10
3	Union Tee	FA2242-1
4	1/4" Tubing	FA3134-9
5	Nameplate**	NP280
6	1/4" Tubing**	FA3134-11
7	3/8" Tubing (40' roll)	FA2230-15
8	Male Connector (3/8" NPT to 3/8" tube)	FA3134-7
9	3/8" Plug	FA2230-16

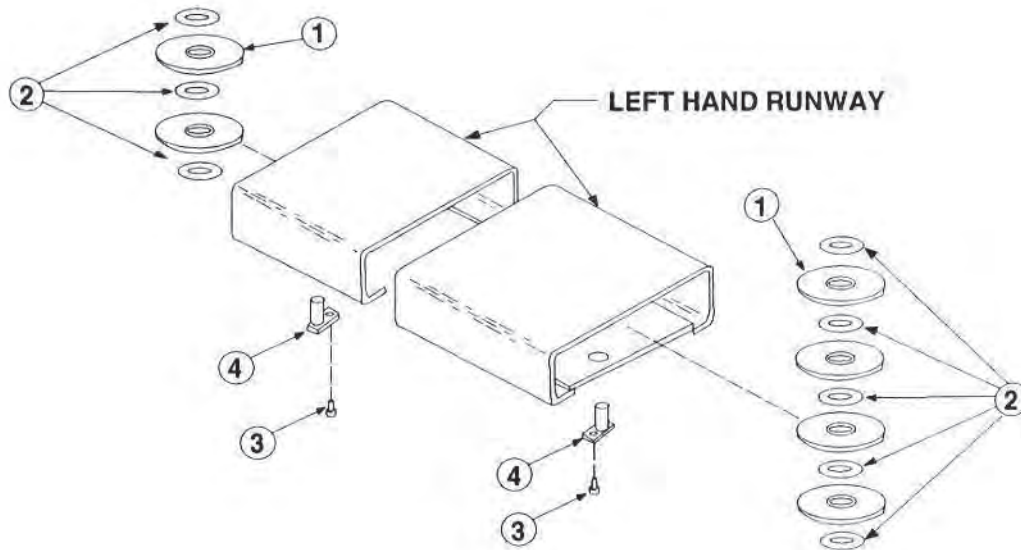
\*See Note B On Front Page

\*\*Available as an assembly, order part #FA3134

CABLES			
ITEM NO.	DESCRIPTION	SM90 PART NO.	SM120 PART NO.
1	Right Front Cable	FC519	FC547
2	Left Front Cable	FC518	FC546
3	Right Rear Cable	FC517	FC545
4	Left Rear Cable	FC516	FC544
5	Left Cable Retaining Bar	FC528-3	FC543-3
6	Right Cable Retaining Bar	FC528-2	FC543-2
7	1/4"-20NC HHCS x 1 3/4"		40082
8	1/4"-20NC Hex Nut		40625
9	1/4"-20NC Hex Jam Nut		40640

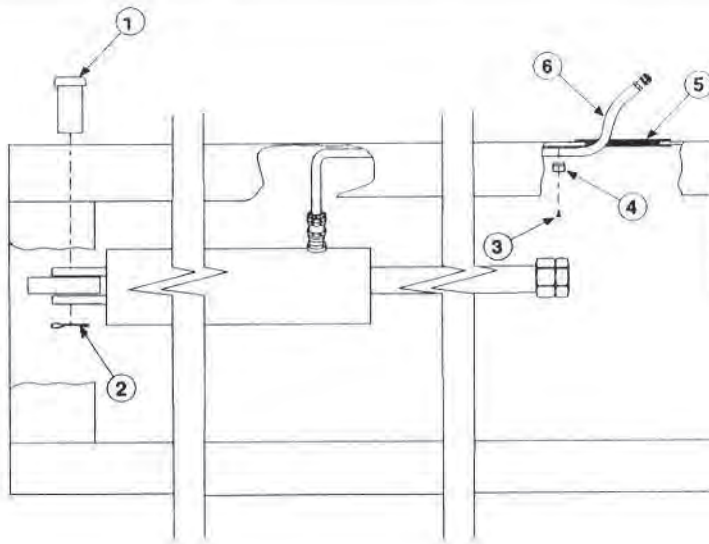


**PANZITTA SALES & SERVICE**  
 72 George Avenue  
 Wilkes-Barre, PA 18705  
 570-822-6720 800-822-6720  
 www.panzittasales.com



SHEAVE DETAIL.

ITEM	DESCRIPTION	SM90 PART NO.	SM120 PART NO.
1	Sheave	FC522-5	FC548
2	Spacer	FC522-70 (Thin)	FC5346-2 (Thick)
3	5/16" - 18NC HSBHGS x 1/2" Lg.	40225	
4	Sheave Pin	FC521-11	FC555-1



HYDRAULIC HOSE DETAIL

ITEM NO.	DESCRIPTION	PART NO.
1	Clevis Pin	FC5346-1
2	3/16" x 1 1/2" Lg. Cotter Pin	41247
3	#10 - 24NC Slotted HHTS x 5/8" Lg.	40029
4	Clamp	FA2239-1
5	Strip Grommet	FC5317-12
6	Hose*	FJ822

\*See Note C On Front Page

**PANZITTA SALES & SERVICE**  
**72 George Avenue**  
**Wilkes-Barre, PA 18705**  
**570-822-6720 800-822-6720**  
**www.panzittasales.com**