

**PANZITTA SALES & SERVICE**  
72 George Avenue  
Wilkes-Barre, PA 18705  
570-822-6720 800-822-6720  
[www.panzittasales.com](http://www.panzittasales.com)

# **MANITOWOC LIFTS**

**PARTS LIST**

## **CTL-60**

**LOW RISE PAD LIFT**

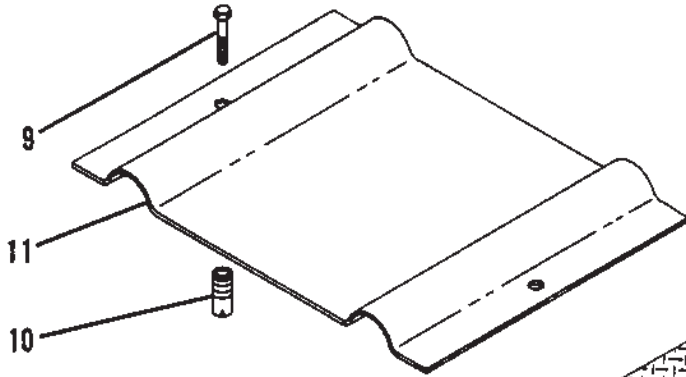
**F-30L30B0000 (115V-60HZ, 1PH)**

**LIFT CAPACITY 6,000 LBS.**

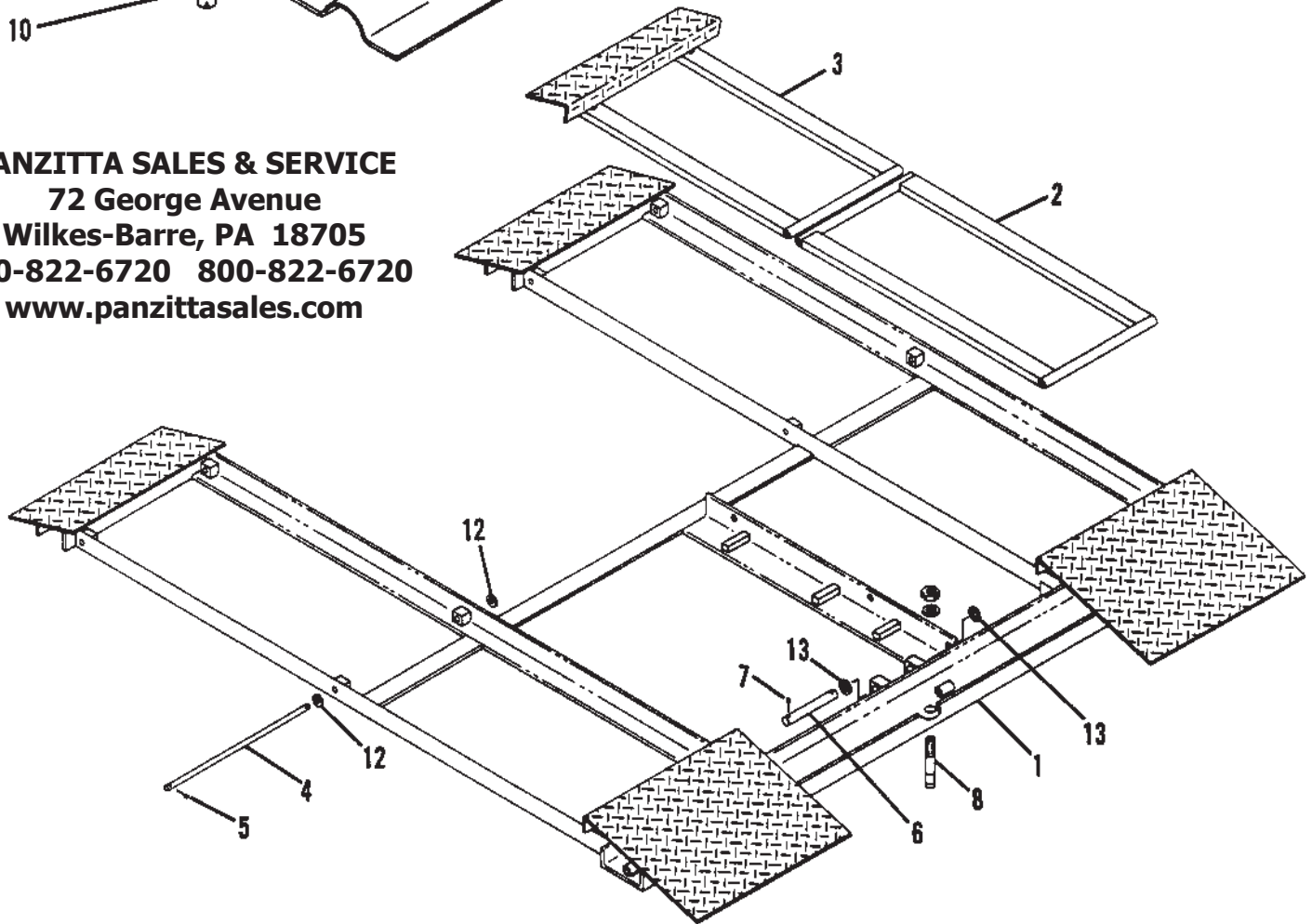
When ordering replacement parts, always mention lift model number and serial number.

**PANZITTA SALES & SERVICE**  
**72 George Avenue**  
**Wilkes-Barre, PA 18705**  
**570-822-6720 800-822-6720**  
**www.panzittasales.com**

Item No.	No. Req.	Part No.	Description
1	1	D-1199-01	Frame Weldment
2	2	B-142-25	Leg Weldment
3	2	B-142-19	Leg Ramp Ass'y
4	4	A-522-26	Leg Pin
5	8	A-493-07	Cotter Pin 3/32" D x 1" L
6	1	A-522-08	Cylinder Pin (BTM)
7	2	A-493-08	Cotter Pin 3/32" D x 1-1/4" L
8	3	A-522-51	Anchor Bolt
9	2	K03782	Hex Hd. Bolt 5/16-18 x 1-3/4"
10	2	K79695	Expansion Shield
11	1	T07915	Wheel Locator Plate
12	8	A-522-47	Washer 1/2"
13	2	A-522-48	Washer 3/4"



**PANZITTA SALES & SERVICE**  
**72 George Avenue**  
**Wilkes-Barre, PA 18705**  
**570-822-6720 800-822-6720**  
**www.panzittasales.com**

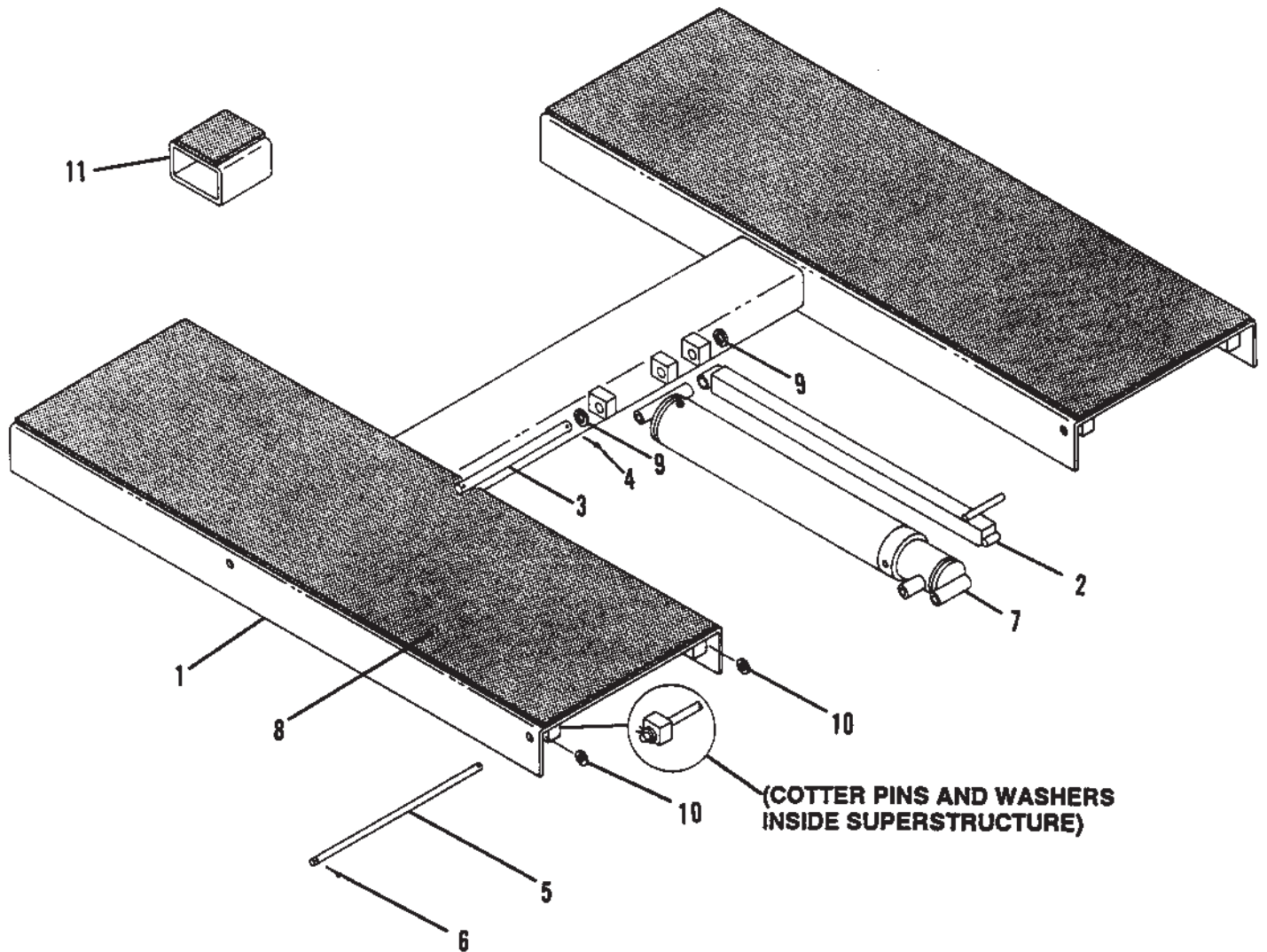


## FRAME WELDMENT & LOCATOR PLATE

When ordering replacement parts, always mention lift model number and serial number.

Item No.	No. Req.	Part No.	Description
1	1	D-1199-02	Superstructure Weldment
2	1	B-142-22	Lock Leg Weldment
3	1	A-522-09	Cylinder/Lock Leg Pin
4	2	A-493-08	Cotter Pin 3/32" D x 1-1/4"
5	4	A-522-26	Leg Pin
6	8	A-493-07	Cotter Pin 3/32" D x 1"
7	1	C-715-01	Cylinder (See page 12)
8	2	A-522-18	Rubber Pad
9	2	A-522-48	Washer 3/4"
10	8	A-522-47	Washer 1/2"
11	4	A-522-56	Adapter

**PANZITTA SALES & SERVICE**  
**72 George Avenue**  
**Wilkes-Barre, PA 18705**  
**570-822-6720 800-822-6720**  
**www.panzittasales.com**



## SUPERSTRUCTURE

When ordering replacement parts, always mention lift model number and serial number.

Item No. No. Req.	Part No.	Description
1 1	A-522-41	Safety Release Lever
2 1	A-522-06	Lever Connector
3 1	A-522-44	10-32 x 1/4" Set Screw
4 1	A-522-40	Connector Rod
5 2	A-493-02	Cotter Pin 1/16" D x 3/4" L
6 1	B-142-03	Release Strip Weldment
7 2	A-522-45	Flat HD Bolt 1/4" - 20 x 1"
8 2	Q10977-06	Nylon Lock Nut 1/4" - 20
9 4	B-102-23	Flat Washer 3/8"
10 2	K85235-20	Flat Washer 1/4"
11 2	A-522-46	Bearing

**PANZITTA SALES & SERVICE**  
 72 George Avenue  
 Wilkes-Barre, PA 18705  
 570-822-6720 800-822-6720  
 www.panzittasales.com

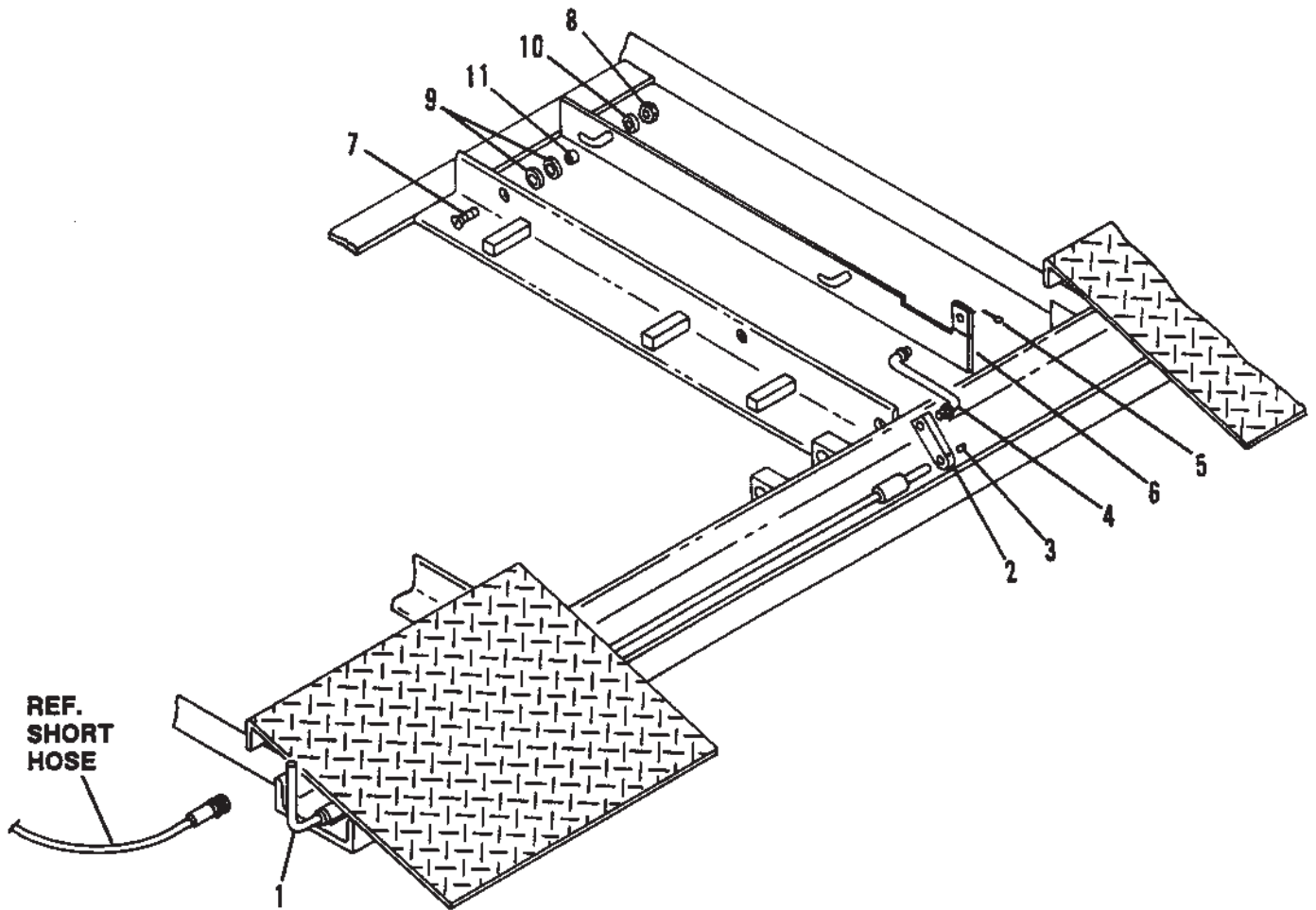
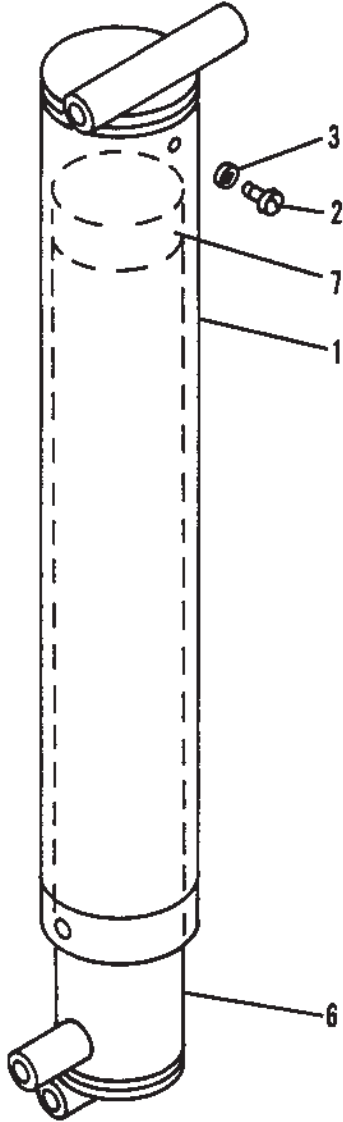


FIG. 3

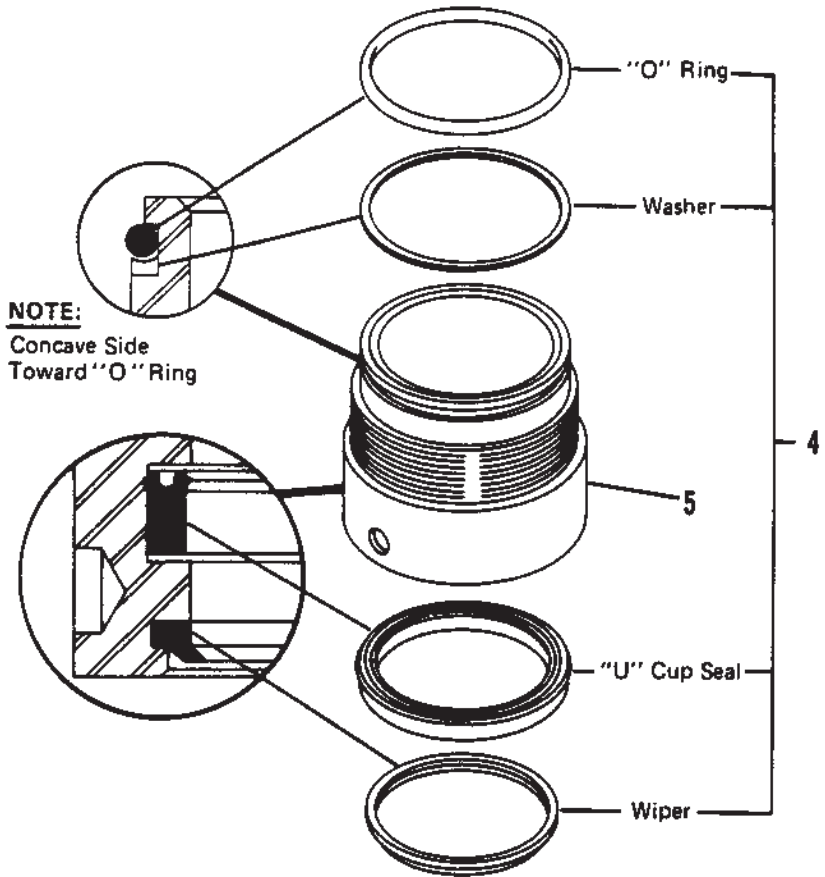
## FRAME COMPONENTS

When ordering replacement parts, always mention lift model number and serial number.

Item No.	No. Req.	Part No.	Description
1	1	C-715-01	Cylinder
2	1	A-522-59	No. 10-32 x 1/4" Bleeder Screw
3	1	A-491-44	Bleeder Washer
4	1	K34159	Seal Kit
5	1	C-675-12	Nut
6	1	C-715-02	Inner Tube
7	1	B-142-01	Bearing



**PANZITTA SALES & SERVICE**  
 72 George Avenue  
 Wilkes-Barre, PA 18705  
 570-822-6720 800-822-6720  
 www.panzittasales.com



**NOTE!**  
 Remove nut in counter clockwise direction with spanner wrench to remove seal.

**NOTE!** Seal Kit does not include nut

## HYDRAULIC CYLINDER

When ordering replacement parts, always mention lift model number and serial number.

**PANZITTA SALES & SERVICE**  
**72 George Avenue**  
**Wilkes-Barre, PA 18705**  
**570-822-6720 800-822-6720**  
**www.panzittasales.com**

Item No.	No. Req.	Part No.	Description
1	1	A-522-01	Hose Ass'y (Short)
2	1	A-522-02	Hose Ass'y (Long)
3	1	A-522-03	Connector
4	1	A-522-04	Coupler
5	1	A-522-05	Nipple
6	1	R 18230-90	Adj. Elbow

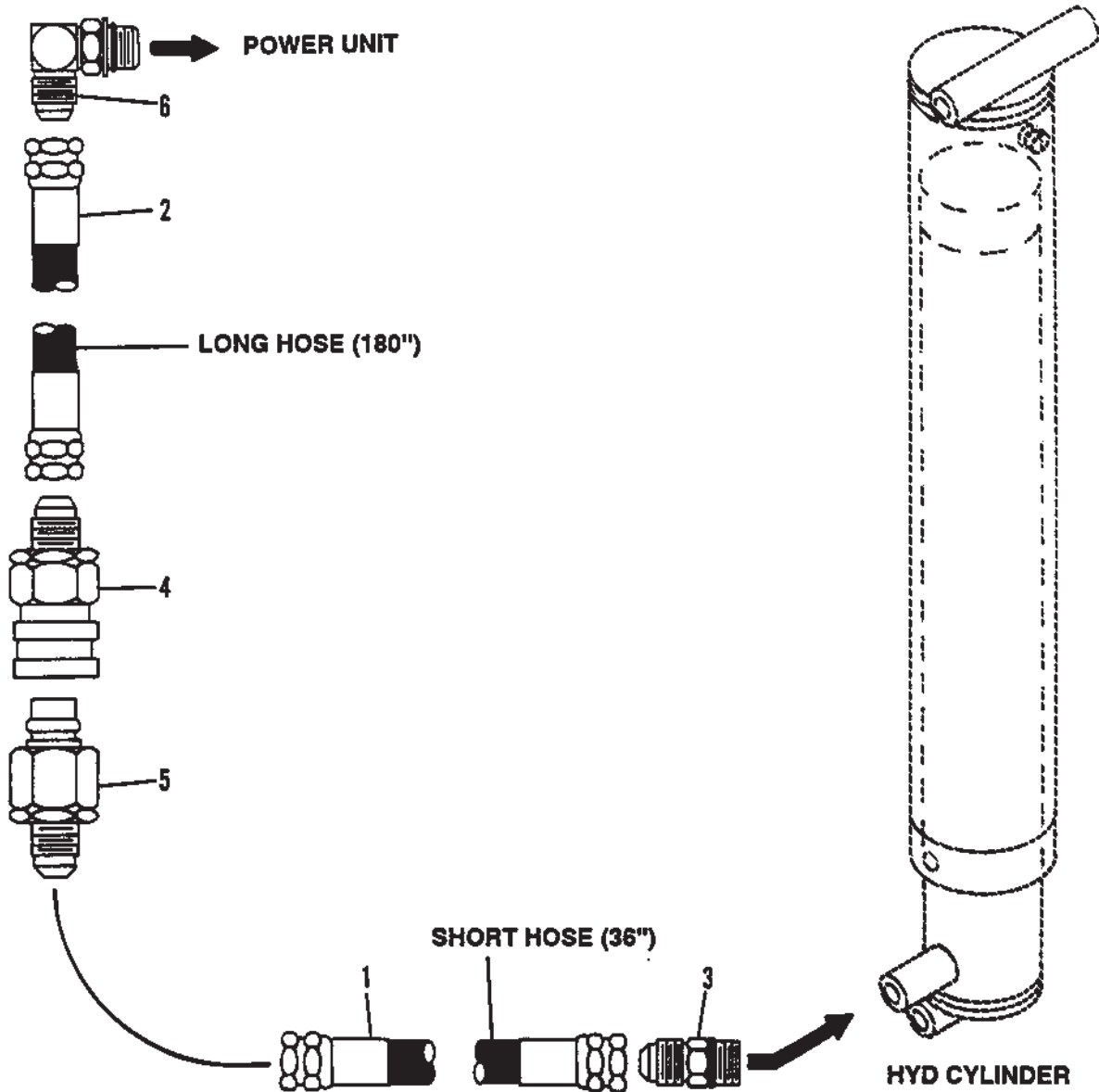


FIG. 4

## HOSE LINES AND CONNECTORS

When ordering replacement parts, always mention lift model number and serial number.

Item No.	No. Req.	Part No.	Description
1	1	C-715-11	Power Unit Stand
2	4	B-101-97	Bolt 5/16"-18 x 1" Hex Bolt
3	4	B-102-20	Washer 5/16"
4	4	B-104-29	Lockwasher 5/16"
5	4	A-492-23	Nut 5/16" - 18
6	1	C-717-01	Power Unit

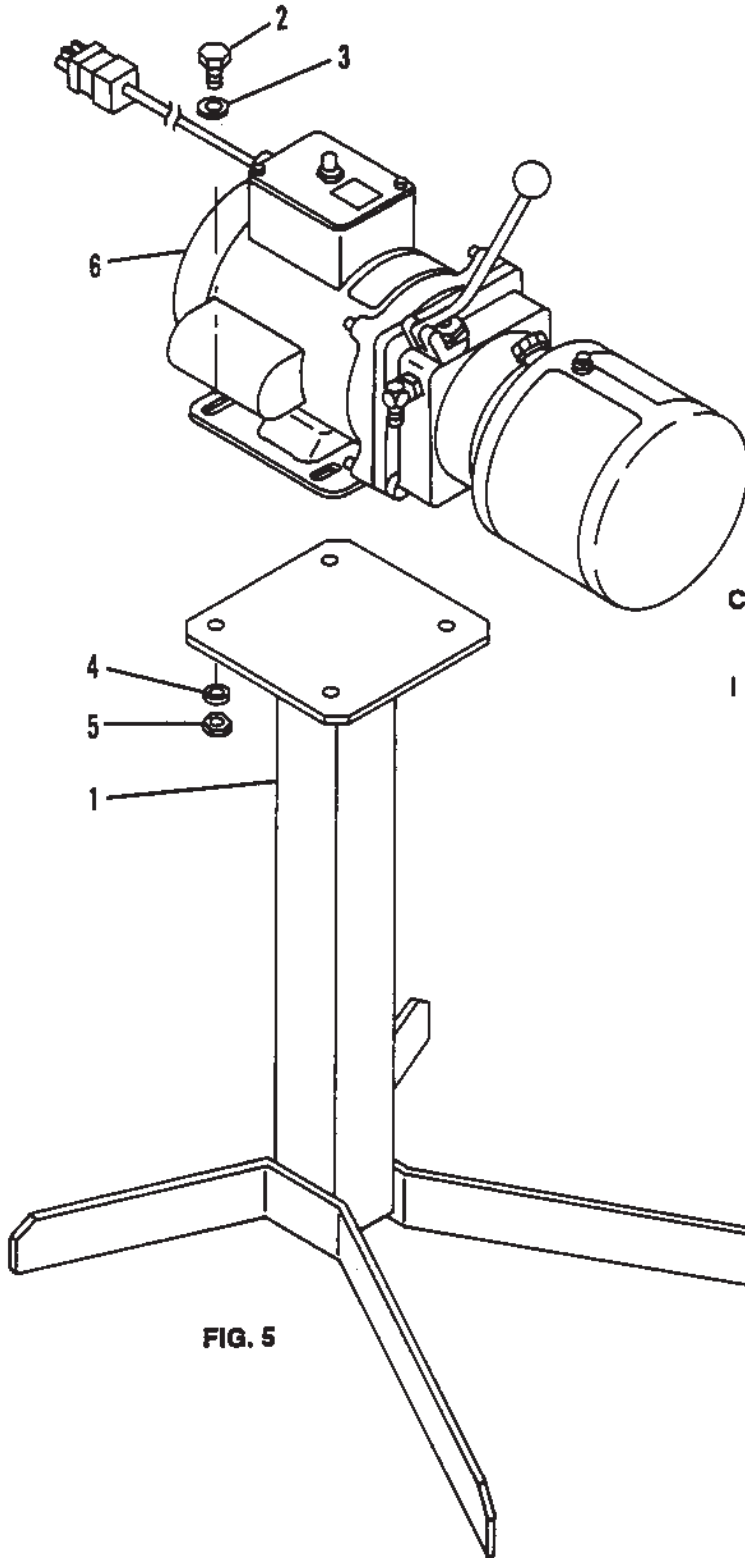
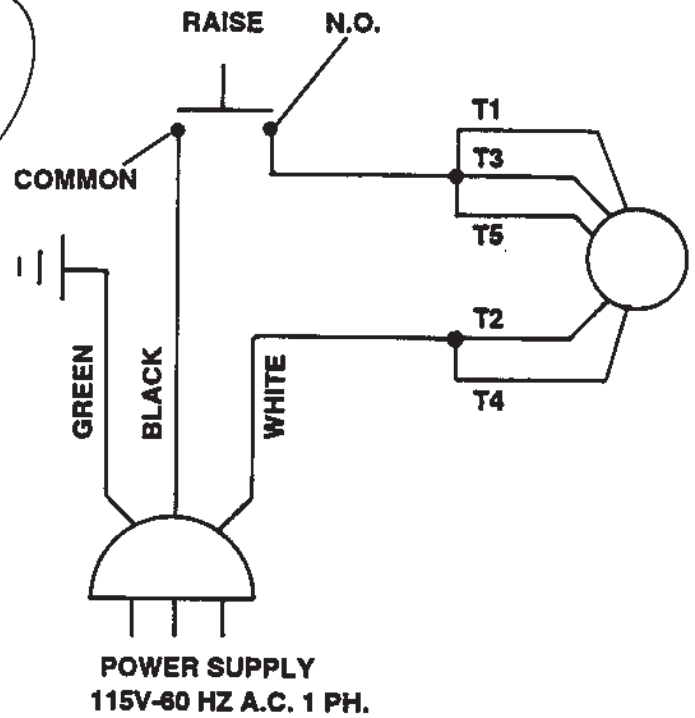


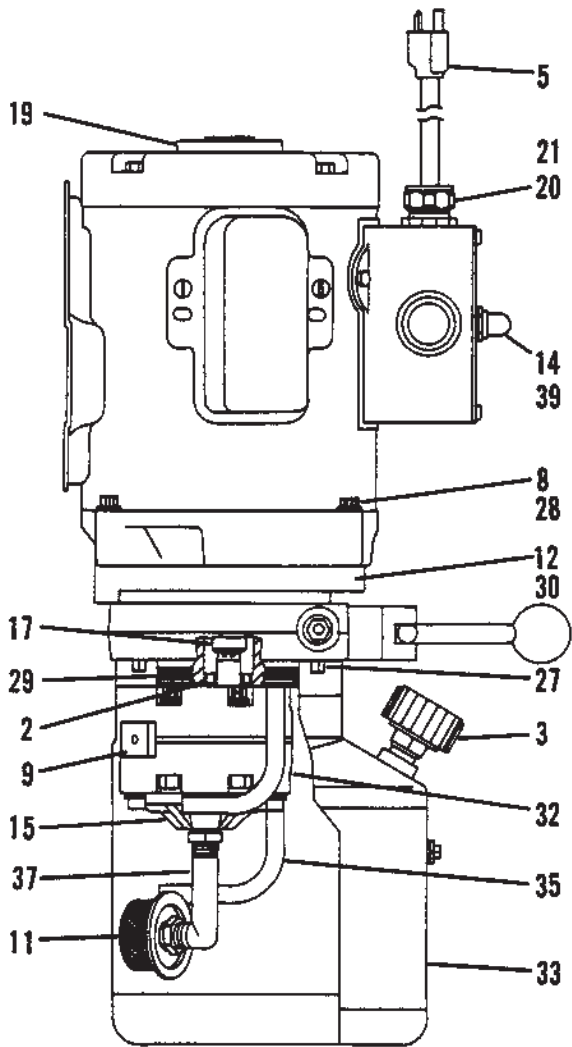
FIG. 5

**PANZITTA SALES & SERVICE**  
 72 George Avenue  
 Wilkes-Barre, PA 18705  
 570-822-6720 800-822-6720  
 www.panzittasales.com



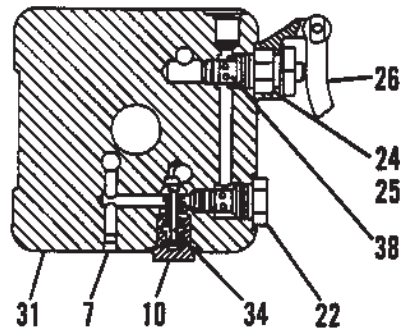
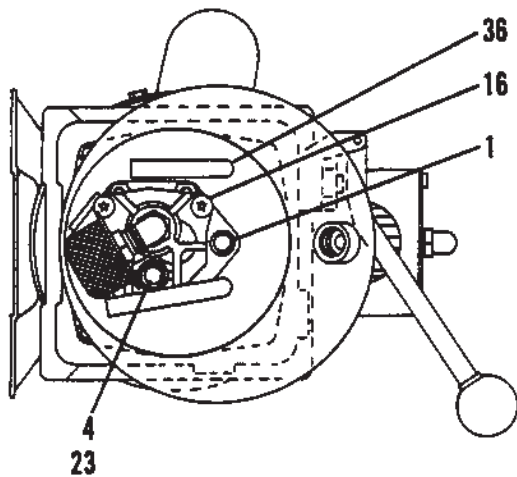
**POWER UNIT - STAND - WIRING DIAGRAM**

When ordering replacement parts, always mention lift model number and serial number.



Item No.	Part No.	Description
1	C-717-03	5/16 - 24 x 2-3/4" Torx Bolt
2	C-717-04	Shaft Seal
3	C-717-05	Breather
4	C-717-06	Washer
5	C-717-07	Cordset
7	C-717-08	1/16" NPT Plug
8	C-717-09	Washer
9	C-717-10	Magnet
10	C-717-11	Relief Valve Cap
11	C-717-12	Filter
12	C-717-13	1/4 - 20 x 3/4" Allen Screw
14	C-717-14	Nut
15	C-717-15	Cover
16	C-717-16	M6 - 1 x 12mm Screw
17	C-717-17	Coupling
19	C-717-18	Motor
20	C-717-19	Electric Cord Grip
21	C-717-20	3/4" Electric Locknut
22	C-717-21	Check Valve Cartridge
23	C-717-22	5/16 - 18 x 1 Torx Bolt
24	C-717-23	Hex Nut
25	C-717-24	3/4" Lockwasher
26	C-717-25	Control Handle Assembly
27	C-717-26	12 - 24 x .29" Screw
28	C-717-27	1/4 - 20 x 1-5/8" Screw
29	C-717-28	O" Ring
30	C-717-29	Motor Adapter
31	C-717-30	Endhead
32	C-717-31	Pump Assembly
33	C-717-32	Tank 1 Gallon
34	C-717-33	Relief Valve Assembly
35	C-717-34	Return Tube
36	C-717-35	Drain Tube
37	C-717-36	Nylon Elbow
38	C-717-37	Release Valve Cartridge
39	C-717-38	Wiring Assembly

**PANZITTA SALES & SERVICE**  
 72 George Avenue  
 Wilkes-Barre, PA 18705  
 570-822-6720 800-822-6720  
 www.panzittasales.com



**POWER UNIT**