

PANZITTA SALES & SERVICE
72 George Avenue
Wilkes-Barre, PA 18705
570-822-6720 800-822-6720
www.panzittasales.com

MANITOWOC LIFTS

PARTS LIST

FORE & AFT

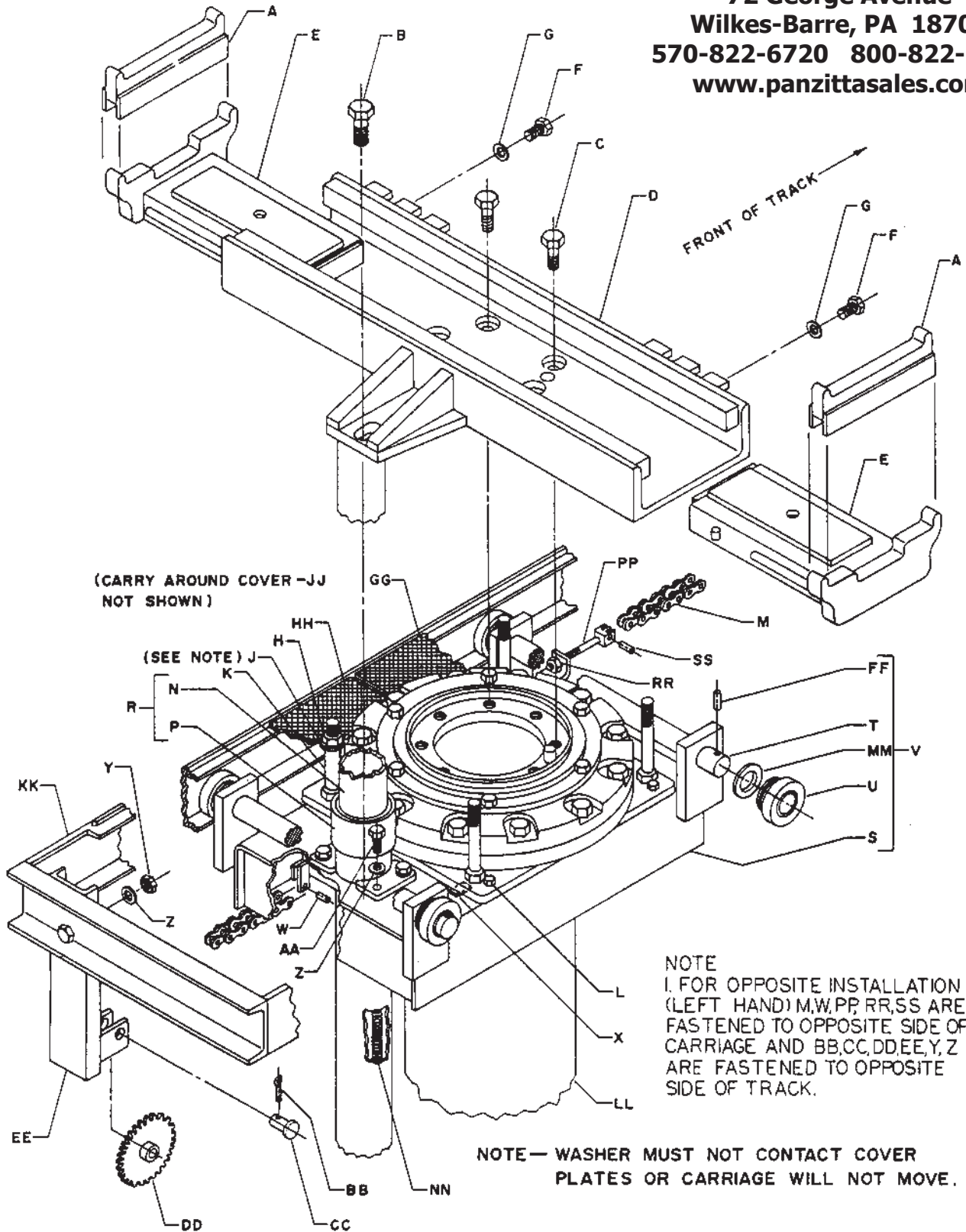
ELECTRIC OIL OPERATED ADJUSTABLE TRUCK LIFT

A-3FM5A

54,000 LBS CAPACITY @ 260-270 PSI

18,000 LBS CAPACITY FRONT

36,000 LBS CAPACITY REAR



T13974

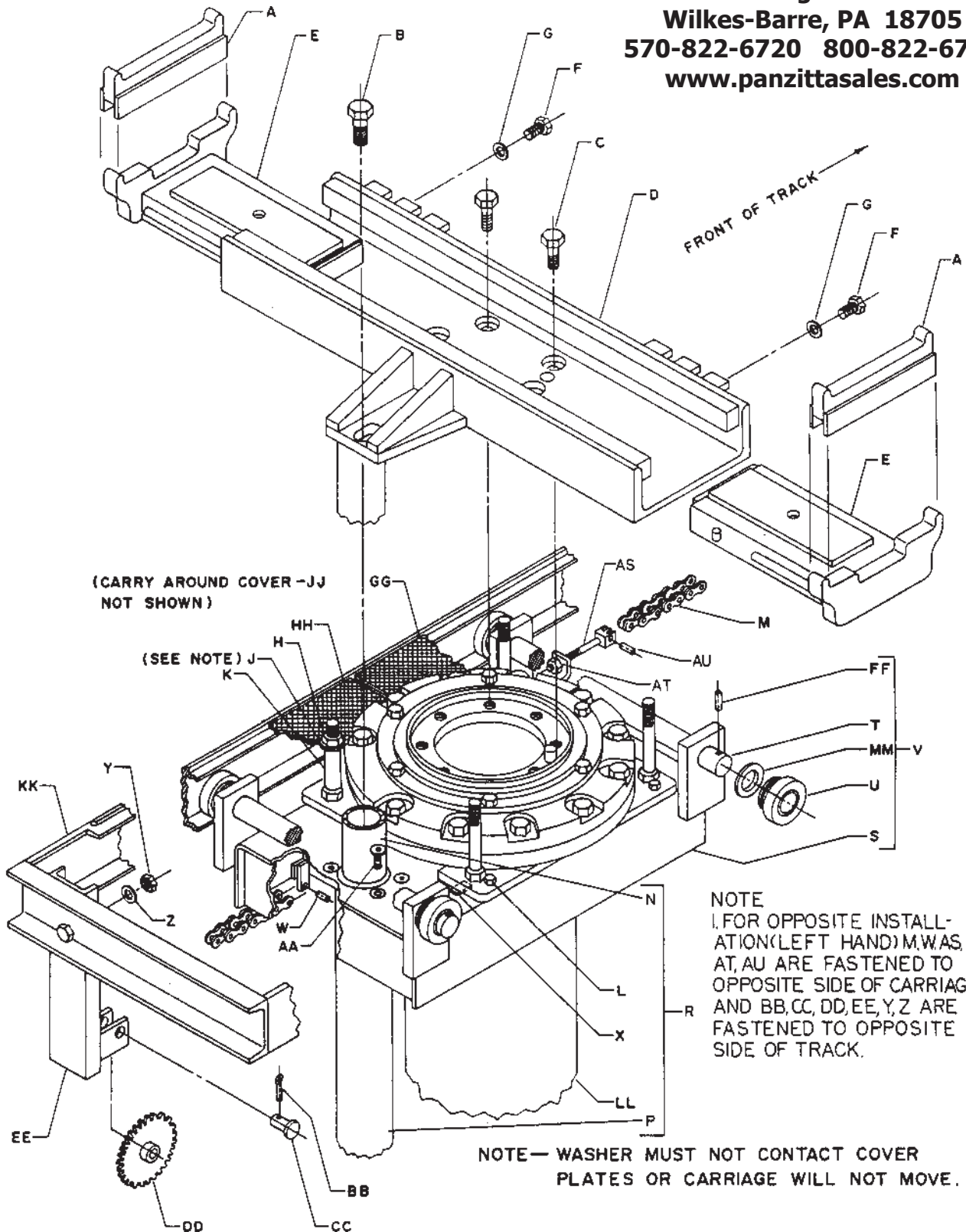
FIG. 7

PARTS LIST FOR FORWARD PICK UP BASE AND CARRIAGE ASSEMBLY WITH AUTOMATIC LOCK

PANZITTA SALES & SERVICE
72 George Avenue
Wilkes-Barre, PA 18705
570-822-6720 800-822-6720
www.panzittasales.com

When ordering replacement parts, always mention lift model number and serial number.

Code No. No. Req.	Symbol No.	Description	Code No. No. Req.	Symbol No.	Description
A 2	R13323	Height Adapter	Y 2	K01945	Hex Nut 1/2"-13
B 1	K01914-50	Hex Hd. Bolt 1"-8 x 2-1/2"	Z 6	K02455	Lockwasher 1/2"
C 6	Q10412-01	Hex Hd. Bolt 3/4"-10 x 2-1/4"	AA 4	K01909	Hex Hd. Bolt 1/2"-13 x 1"
D 1	T13949	Forward Pick-up Base	BB 1	K02128	Cotter Pin 1/8" Dia. x 1"
E 2	R13487	Forward Pick-up Slide	CC 1	Q10167-13	Clevis Pin 5/8" x 1-3/4"
F 2	K01902	Hex Hd. Bolt 3/8"-16 x 1"	DD 1	K90624	Sprocket Assembly
G 2	K50775	Lockwasher 3/8"	EE 1	N21712-01	Sprocket Support (Rear)
H 8	K01948	Hex Nut 3/4"-10	FF 4	K50511	Groove Pin 3/16" Dia. x 2"
J 4	K06011	Flat Washer	GG 1	R13389-04	Cover Assembly
K 4	K88446-06	Spacer	HH 1	R13389-05	Cover Assembly
L 4	K01914-40	Hex Hd. Bolt 1/2"-13 x 2-1/2"	JJ 3	R13299	Cover Assembly (10 Ft., 11 Ft., 12 Ft.)
M 1	K89040-17	Chain (10 Ft.)	JJ 4	R13299	Cover Assembly (13 Ft., 14 Ft.)
M 1	K89040-24	Chain (11 Ft.)	JJ 5	R13299	Cover Assembly (15 Ft., 16 Ft.)
M 1	K89040-18	Chain (12 Ft.)	JJ 6	R13299	Cover Assembly (17 Ft., 18 Ft.)
M 1	K89040-25	Chain (13 Ft.)	JJ 7	R13299	Cover Assembly (19 Ft., 20 Ft.)
M 1	K89040-19	Chain (14 Ft.)	JJ 8	R13299	Cover Assembly (21 Ft., 22 Ft.)
M 1	K89040-26	Chain (15 Ft.)	KK 1	R19000-01	Track Kit (10 Ft.)
M 1	K89040-20	Chain (16 Ft.)	KK 1	R19000-02	Track Kit (11 Ft.)
M 1	K89040-27	Chain (17 Ft.)	KK 1	R19000-03	Track Kit (12 Ft.)
M 1	K89040-21	Chain (18 Ft.)	KK 1	R19000-04	Track Kit (13 Ft.)
M 1	K89040-28	Chain (19 Ft.)	KK 1	R19000-05	Track Kit (14 Ft.)
M 1	K89040-22	Chain (20 Ft.)	KK 1	R19000-06	Track Kit (15 Ft.)
M 1	K89040-29	Chain (21 Ft.)	KK 1	R19000-07	Track Kit (16 Ft.)
M 1	K89040-23	Chain (22 Ft.)	KK 1	R19000-08	Track Kit (17 Ft.)
N 1	T11968-01	Telescoping Post Assembly	KK 1	R19000-09	Track Kit (18 Ft.)
P 1	N20224-01	Stationary Tube Assembly	KK 1	R19000-10	Track Kit (19 Ft.)
R 1	K89529-01	Automatic Lock Assembly (Includes B, N, P & NN)	KK 1	R19000-11	Track Kit (20 Ft.)
S 1	T18511-G1	Carriage Weldment	KK 1	R19000-12	Track Kit (21 Ft.)
T 2	N20283	Carriage Axle	KK 1	R19000-13	Track Kit (22 Ft.)
U 4	K89017	Carriage Wheel Assembly	LL 1	T13944-01	Plunger & Cylinder Assembly
V 1	T18512-G1	Carriage Assembly (Includes S, T, U, FF & MM)	MM 4	K89458	Washer
W 1	K78378-39	Roll Pin 3/16 Dia. x 1-3/8"	NN 1	K89526	Spring
X 16	K88438	Shim	PP 1	K90604	Anchor Rod Assembly
			RR 1	Q10977-03	Locknut 5/16"-18
			SS 1	K78378-48	Rollpin 5/32" Dia. x 1-3/8"



T18525

FIG. 8

**FORWARD PICK UP BASE AND CARRIAGE ASSEMBLY
 WITH OPTIONAL REMOTE CONTROL LOCK LEG**

When ordering replacement parts, always mention lift model number and serial number.

Code No.	Symbol No.	Description
A	2	R13323 Height Adapter
B	1	K01914-50 Hex Hd. Bolt 1"-8 x 2-1/2"
C	6	Q10412-01 Hex Hd. Bolt 3/4"-10 x 2-1/4"
D	1	T13949 Forward Pick-up Base
E	2	R13487 Forward Pick-up Slide
F	2	K01902 Hex Hd. Bolt 3/8"-16 x 1"
G	2	K50775 Lockwasher 3/8"
H	8	K01948 Hex Nut 3/4"-10
J	4	K06011 Flat Washer
K	4	K88446-06 Spacer
L	4	K01914-40 Hex Hd. Bolt 1/2"-13 x 2-1/2"
M	1	K89040-17 Chain (10 Ft.)
M	1	K89040-24 Chain (11 Ft.)
M	1	K89040-28 Chain (12 Ft.)
M	1	K89040-25 Chain (13 Ft.)
M	1	K89040-19 Chain (14 Ft.)
M	1	K89040-26 Chain (15 Ft.)
M	1	K89040-20 Chain (16 Ft.)
M	1	K89040-27 Chain (17 Ft.)
M	1	K89040-21 Chain (18 Ft.)
M	1	K89040-28 Chain (19 Ft.)
M	1	K89040-22 Chain (20 Ft.)
M	1	K89040-29 Chain (21 Ft.)
M	1	K89040-23 Chain (22 Ft.)
N	1	T18522-G1 Inner Post Assembly
P	1	N21352 Outer Post Assembly
R	1	K93578-G1 Remote Control Leg Assembly
S	1	T18514-G1 Carriage Weldment
T	2	N20293 Carriage Axle
U	4	K89017 Carriage Wheel Assembly
V	1	T18515-G1 Carriage Assembly (Includes S, T, U, FF & MM)
W	1	K78378-39 Roll Pin 3/16 Dia. x 1-3/8"
X	16	K88438 Shim
Y	2	K01945 Hex Nut 1/2"-13
Z	6	K02455 Lockwasher 1/2"
AA	4	Q10098-48 Flat Hd. Screw 3/8"-16 x 3/4"
BB	1	K02128 Cotter Pin 1/8" dia. x 1"
CC	1	Q10167-13 Clevis Pin 5/8" x 1-3/4"
DD	1	K90624 Sprocket Assembly
EE	1	N21712-01 Sprocket Support (Rear)
FF	4	K50511 Groove Pin 3/16" dia. x 2"
GG	1	R13389-04 Cover Assembly
HH	1	R13389-05 Cover Assembly
JJ	3	R13299 Cover Assembly (10 Ft., 11 Ft., 12 Ft.)

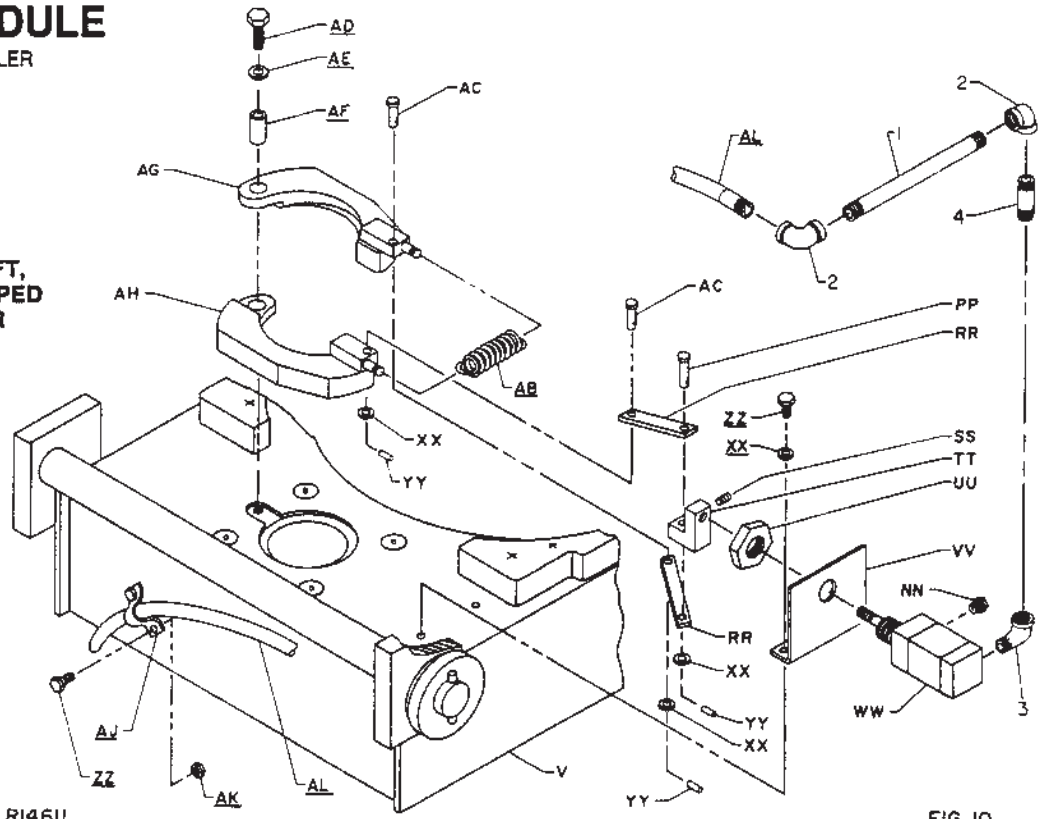
Code No.	Symbol No.	Description
JJ	4	R13299 Cover Assembly (13 Ft., 14 Ft.)
JJ	5	R13299 Cover Assembly (15 Ft., 16 Ft.)
JJ	6	R13299 Cover Assembly (17 Ft., 18 Ft.)
JJ	7	R13299 Cover Assembly (19 Ft., 20 Ft.)
JJ	8	R13299 Cover Assembly (21 Ft., 22 Ft.)
KK	1	R19000-01 Track Kit (10 Ft.)
KK	1	R19000-02 Track Kit (11 Ft.)
KK	1	R19000-03 Track Kit (12 Ft.)
KK	1	R19000-04 Track Kit (13 Ft.)
KK	1	R19000-05 Track Kit (14 Ft.)
KK	1	R19000-06 Track Kit (15 Ft.)
KK	1	R19000-07 Track Kit (16 Ft.)
KK	1	R19000-08 Track Kit (17 Ft.)
KK	1	R19000-09 Track Kit (18 Ft.)
KK	1	R19000-10 Track Kit (19 Ft.)
KK	1	R19000-11 Track Kit (20 Ft.)
KK	1	R19000-12 Track Kit (21 Ft.)
KK	1	R19000-13 Track Kit (22 Ft.)
LL	1	T13944-02 Plunger & Cylinder Assembly (See Page 22)
MM	4	K89458 Washer
NN	1	Q10850-01 Breather Vent
PP	1	Q10167-10 Clevis Pin 1/4" Dia. x 1-1/4"
RR	1	K89571-01 Linkage Bar
SS	1	K82287-24 Set Screw #10-32 x 1/4"
TT	1	N23000 Mounting Bar
UU	1	Q10404-03 Jam Nut 3/4"-16
VV	1	N23001 Mounting Bracket
WW	1	K90133 Air Cylinder
XX	5	K66871 Washer
YY	3	Q10038-19 Spirol Pin 3/32" Dia. 5/8"
ZZ	4	K05287 Hex Hd. Bolt 1/4-20 x 1/2"
AB	1	K91205 Spring
AC	2	Q10167-09 Clevis Pin 1/4" Dia. x 1"
AD	1	K03782 Hex Hd. Bolt 5/16" x 1-3/4"
AE	1	K02205 Flat Washer 5/16"
AF	1	K77749-05 Spacer
AG	1	N21356 Jaw Assembly (Front R.H.)
AH	1	N21357 Jaw Assembly (Front L.H.)
AJ	1	K90171 Hose Clamp
AK	2	K01941 Hex Nut 1/4"-20
AL	1	K90150-01 Air Hose
AS	1	K90604 Anchor Rod Assembly
AT	1	Q10977-03 Locknut 5/18"-18
AU	1	K78378-48 Roll Pin 5/32" Dia. x 3/4"

FITTING SCHEDULE

ITEMS FURNISHED BY INSTALLER

Code No.	Description
1	Nipple, 1/8" x 6" lg.
2	Elbow, 1/8" x 90°
3	Street Elbow, 1/8" 90°
4	Nipple, 1/8" x 1-1/2" lg

WHEN ORDERED WITH LIFT, PARTS SHOWN ARE SHIPPED ASSEMBLED EXCEPT FOR ITEMS UNDERLINED.



PANZITTA SALES & SERVICE
72 George Avenue
Wilkes-Barre, PA 18705
570-822-6720 800-822-6720
www.panzittasales.com

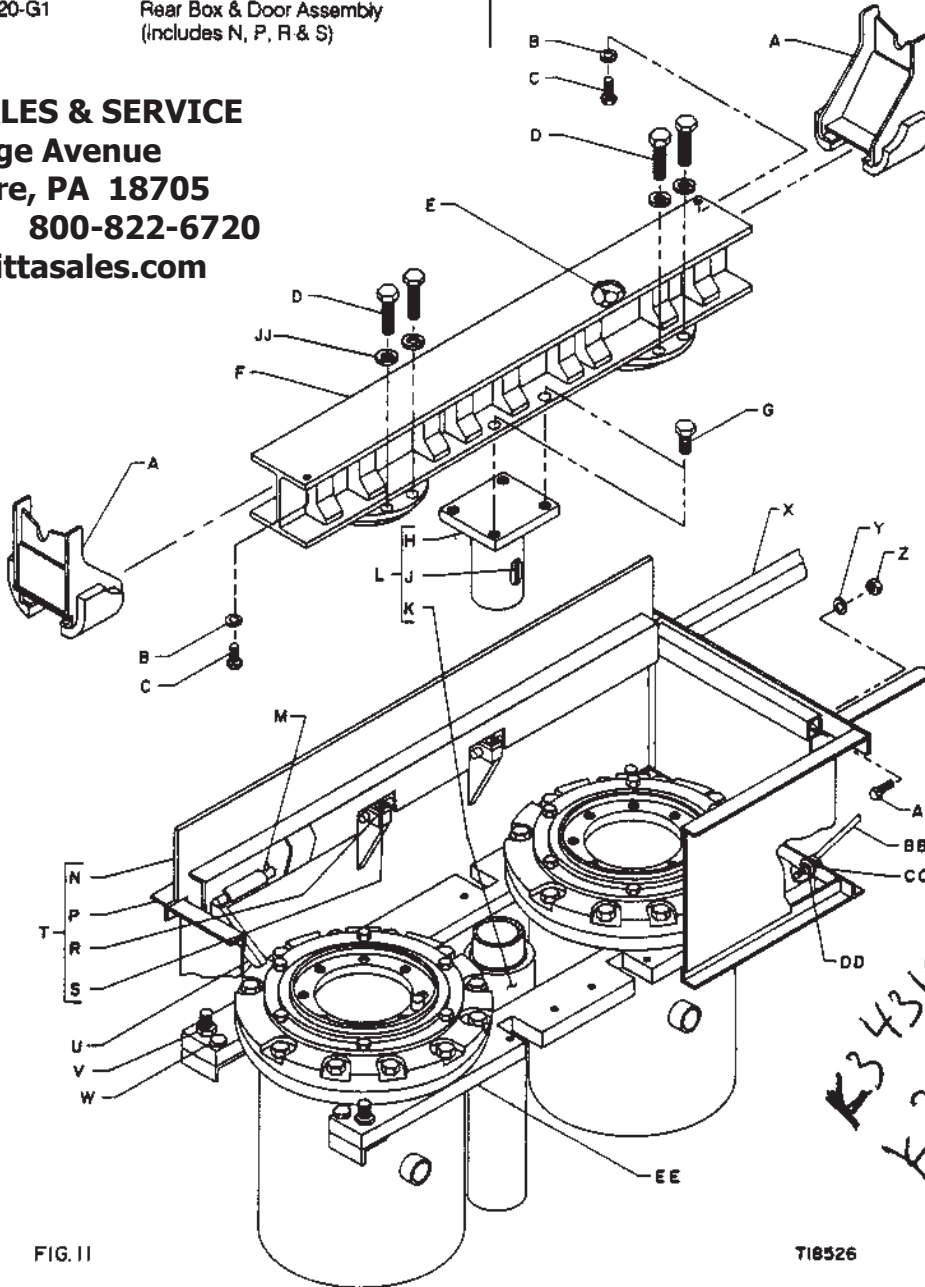
FORWARD PICK UP BASE AND CARRIAGE ASSEMBLY FOR OPTIONAL REMOTE CONTROL LOCK LEG PARTS LIST

When ordering replacement parts, always mention lift model number and serial number.

Code No.	No. Req.	Symbol No.	Description
A	2	R14612	Rear Axle Support
B	4	K50775	Lockwasher 3/8"
C	8	K51954	Hex Hd. Bolt 3/8"-16 x 1/2"
D	8	Q10412-01	Hex Hd. Bolt 3/4"-10 x 2-1/4"
E	1	Q10157-02	Grease Fitting
F	1	T18510-G1	Rear Axle Support Beam
G	4	K01914-61	Hex Hd. Bolt 3/4"-10 x 1-1/4"
H	1	T13116	Inner Post Assembly
J	1	K89526	Spring
K	1	N21833-G1	Outer Tube Assembly
L	1	K93577-G1	Automatic Lock Leg Assy. (Includes H, J & K)
M	2	K78378-48	Roll Pin 5/32" Dia. x 3/4"
N	2	T18516-G1	Door Rear Box
P	1	T18519-G1	Rear Box
R	4	K88461	Top-Hinge
S	8	Q10098-48	Flat Hd. Screw 3/8"-16 x 3/4"
T	1	T18520-G1	Rear Box & Door Assembly (includes N, P, R & S)

Code No.	No. Req.	Symbol No.	Description
U	2	K88445-01	Door Closer
V	4	K01948	Hex Nut 3/4"-10
W	4	K01914-40	Hex Hd. Bolt 1/2"-13 x 2-1/2"
X	2	R14568	Wheel Locator
Y	6	K66314	Flat Washer 3/8"
Z	4	K01943	Hex Nut 3/8"-16
AA	4	K01901	Hex Hd. Bolt 3/8"-16 x 3/4"
BB	4	K89033	Anchor Rod
CC	16	K02204	Flat Washer 1/4"
DD	16	K01941	Hex Nut 1/4"-20
EE	1	T14000-G1	Dual Plunger & Cylinder Assy. (See Page 23)
FF	2	K05287	Hex Hd. Bolt 1/4"-20 x 1/2"
GG	1	T13113	Cover Bracket
HH	1	T13112-02	Cover Support Bracket Assembly
JJ	8	B-104-47	Lockwasher 3/4"

PANZITTA SALES & SERVICE
72 George Avenue
Wilkes-Barre, PA 18705
570-822-6720 800-822-6720
www.panzittasales.com



K34310 - w/o FIBREGLASS
K34311 w/ FIBREGLASS

FIG. II

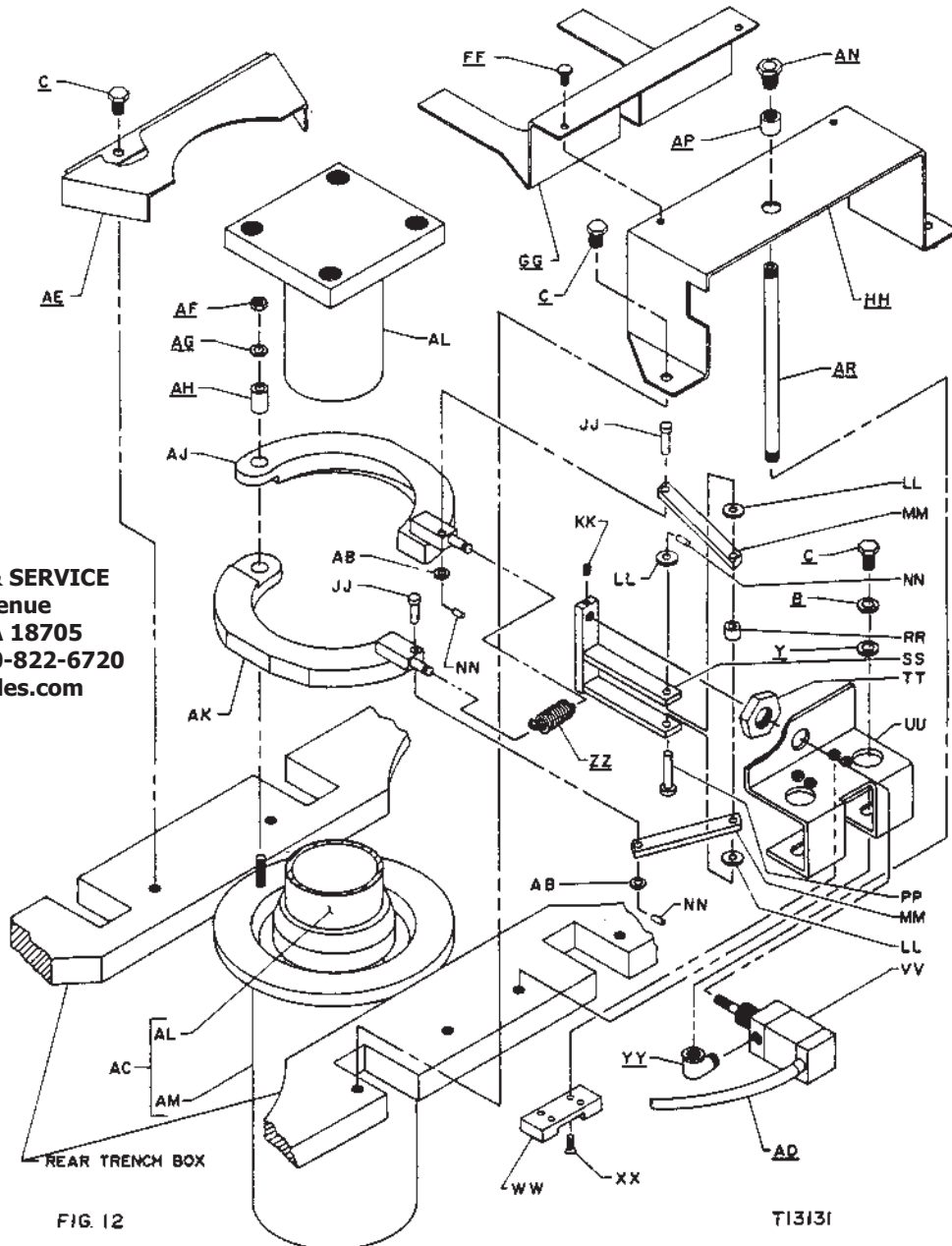
T18526

REAR TRENCH BOX AND AXLE SUPPORTS

When ordering replacement parts, always mention lift model number and serial number.

Code No. No. Req.	Symbol No.	Description	Code No. No. Req.	Symbol No.	Description	
JJ	2	Q10167-09	AB	2	K66871	Flat Washer
KK	1	K82287-24	AC	1	K95002	Remote Control Leg Assembly (Includes AL & AM)
LL	3	K86801-04	AD	1	K90150-02	Air Hose
MM	2	K89571-02	AE	1	T13115	Cover
NN	3	Q10038-19	AF	1	K01942	Hex Nut 5/16"-18
PP	1	Q10167-08	AG	1	K02205	Flat Washer 5/16"
RR	1	K90181	AH	1	K77749-04	Spacer
SS	1	N21373	AJ	1	N21344	Jaw Assembly (Rear R.H.)
TT	1	Q10404-03	AK	1	N21345	Jaw Assembly (Rear L.H.)
UU	1	R14606-02	AL	1	T19000	Inner Post Assembly
VV	1	K90133	AM	1	N23002	Outer Post Assembly
WW	1	K90198	AN	1	Q10850-01	Breather Vent
XX	4	K02061-34	AP	1	K40379	Coupling 1/8"
YY	1	K57834	AR	1	N16927-17	Pipe 1/8" x 11"
ZZ	1	K91205				

WHEN ORDERED WITH LIFT, PARTS SHOWN ARE SHIPPED ASSEMBLED EXCEPT FOR ITEMS UNDERLINED.



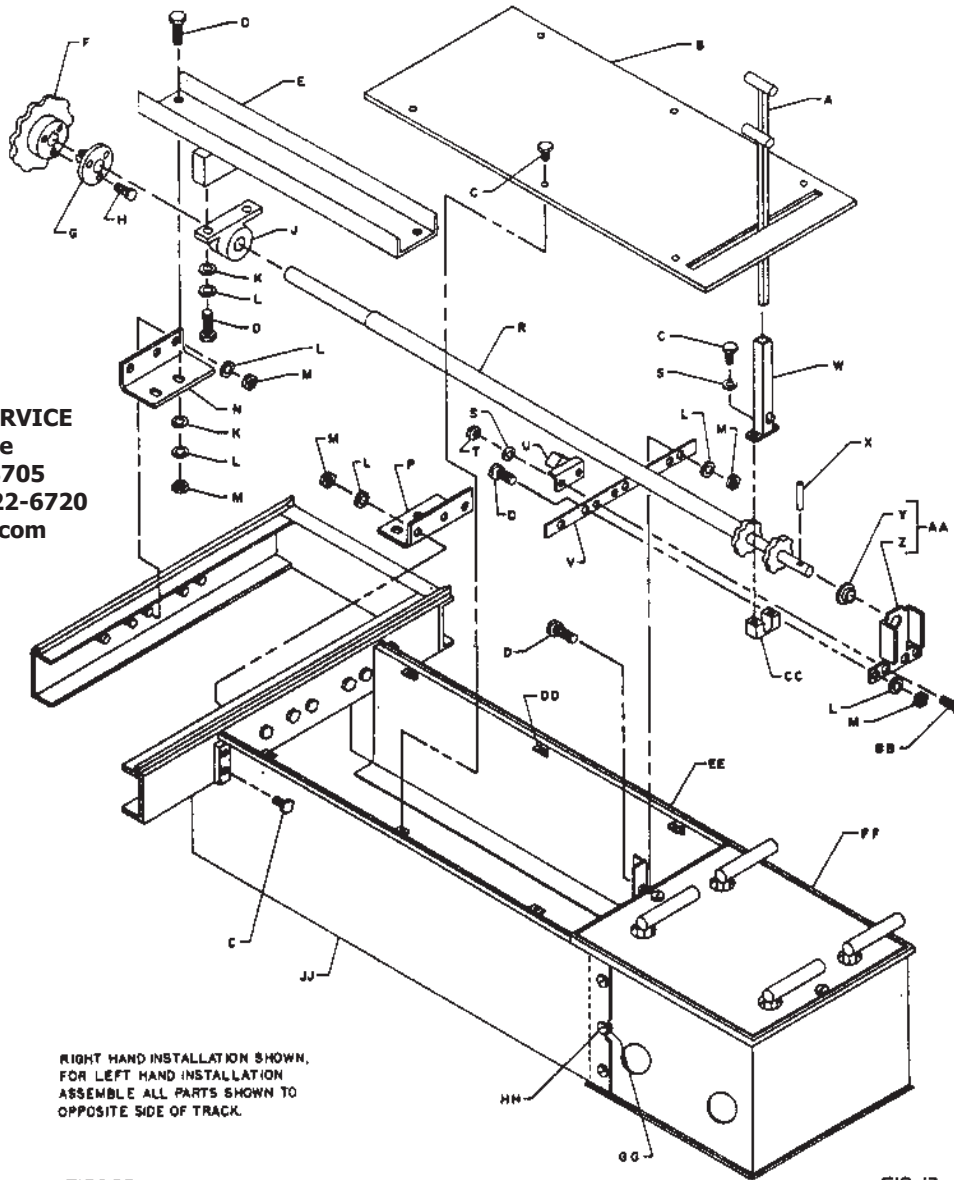
PANZITTA SALES & SERVICE
 72 George Avenue
 Wilkes-Barre, PA 18705
 570-822-6720 800-822-6720
 www.panzittasales.com

REAR TRENCH BOX AND OPTIONAL REMOTE CONTROL LOCK LEG

When ordering replacement parts, always mention lift model number and serial number.

Code No. No. Req.	Symbol No.	Description	Code No. No. Req.	Symbol No.	Description
A	1	R16171-02	V	1	N21460
B	1	T13872-01	W	1	N21714
C	12	K05287	X	1	K78378-39
D	10	K01902	Y	1	N17706-40
E	1	N21456	Z	1	N21474
F	1	K90615	AA	1	N21470
G	1	K90616			
H	3	K07565	BB	2	Q10033-69
J	1	K90618	CC	1	K90609
K	6	K02206	DD	6	K81038-24
L	14	K50775	EE	1	T09499-05
M	12	K01943	FF	1	T09513
N	1	N21466-02	FF	1	T13117
P	1	N21466-01	GG	6	K66871
R	1	N21717-01	HH	6	K60521-24
S	4	K43948	JJ	1	T09499-06
T	2	K01941			
U	1	K90607			
					Ratchet Support Bar
					Handle Holder Assembly
					Roll Pin 3/16" Dia. x 1-3/8"
					Flanged Bearing
					Ratchet Support Weldment
					Ratchet Support Assembly
					(Includes Y & Z)
					Socket Hd. Cap Screw 1/4"-20 x 3/4"
					Pivot Block
					Speed Nut 1/4"-20
					Side Panel Weldment (R.H.)
					Control Box Assembly (See Page 26)
					Control Box Assembly
					(Remote Control) (See Page 27)
					Flat Washer
					Self Tapping Screw #14 x 5/8"
					Side Panel Weldment (L.H.)

PANZITTA SALES & SERVICE
 72 George Avenue
 Wilkes-Barre, PA 18705
 570-822-6720 800-822-6720
 www.panzittasales.com



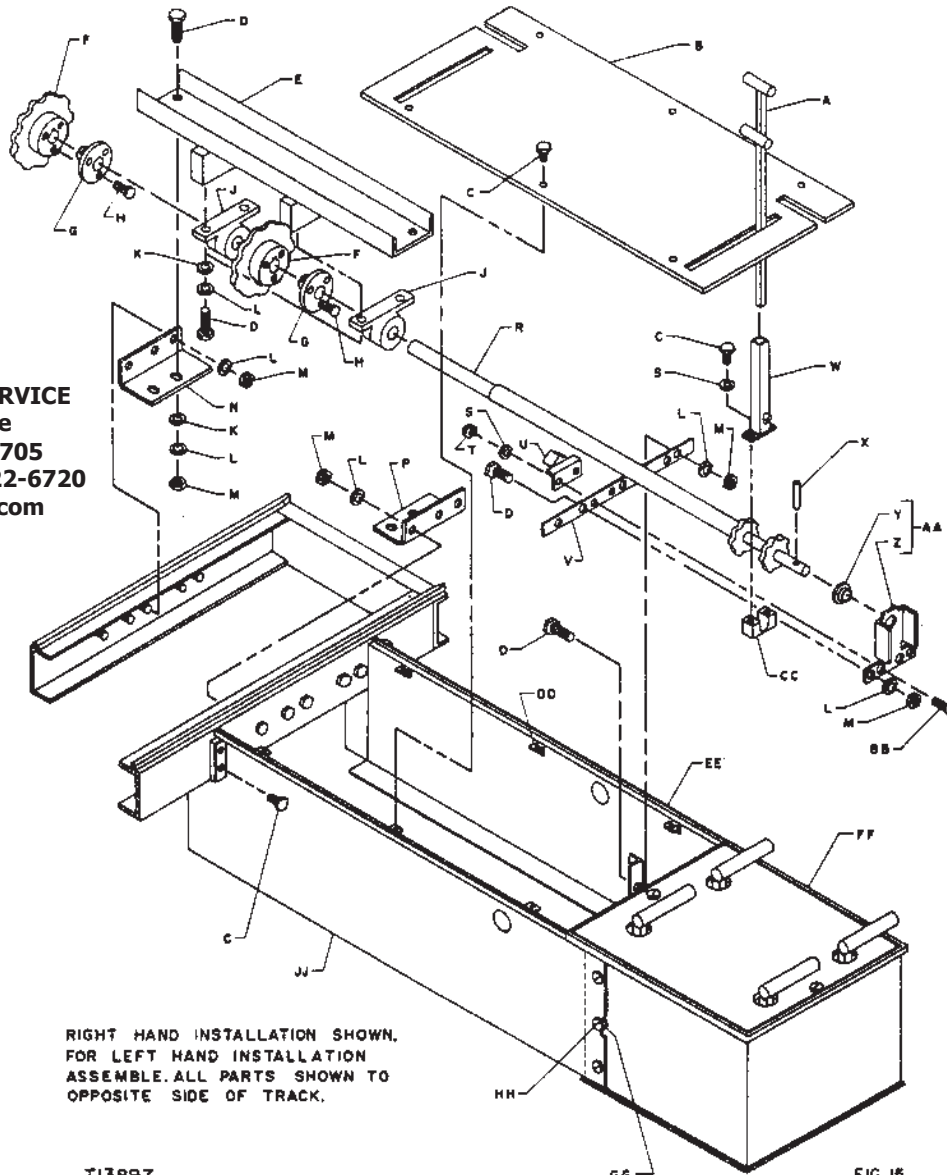
EXTENSION BOX & CONTROL BOX

A-3FM5A

When ordering replacement parts, always mention lift model number and serial number.

Code No. No. Req.	Symbol No.	Description	Code No. No. Req.	Symbol No.	Description
A	1	R16171-02	V	1	N21460
B	1	T13894	W	1	N21714
C	12	K05287	X	1	K78378-39
D	12	K01902	Y	1	N17706-40
E	1	N21740	Z	1	N21474
F	2	K90615	AA	1	N21470
G	2	K90616	BB	2	Q10033-69
H	6	K07565	CC	1	K90609
J	2	K90618	DD	6	K81038-24
K	8	K02206	EE	1	T09499-05
L	18	K50775	FF	1	T09513
M	14	K01943	GG	6	K66871
N	1	N21466-02	HH	6	K60521-24
P	1	N21466-01	JJ	1	T09499-06
R	1	N21717-01			Ratchet Support Bar
S	4	K43948			Handle Holder Assembly
T	2	K01941			Roll Pin 3/16" Dia. x 1-3/8"
U	1	K90607			Flanged Bearing
					Ratchet Support Weldment
					Ratchet Support Assembly
					(Includes Y & Z)
					Socket Hd. Cap Screw 1/4"-20 x 3/4"
					Pivot Block
					Speed Nut 1/4"-20
					Side Panel Weldment (R.H.)
					Control Box Assembly
					(Auto Lock) (See Page 26)
					Control Box Assembly
					(Remote Control) (See Page 27)
					Flat Washer
					Self Tapping Screw #14 x 5/8"
					Side Panel Weldment (L.H.)

PANZITTA SALES & SERVICE
 72 George Avenue
 Wilkes-Barre, PA 18705
 570-822-6720 800-822-6720
 www.panzittasales.com



RIGHT HAND INSTALLATION SHOWN.
 FOR LEFT HAND INSTALLATION
 ASSEMBLE ALL PARTS SHOWN TO
 OPPOSITE SIDE OF TRACK.

T13897

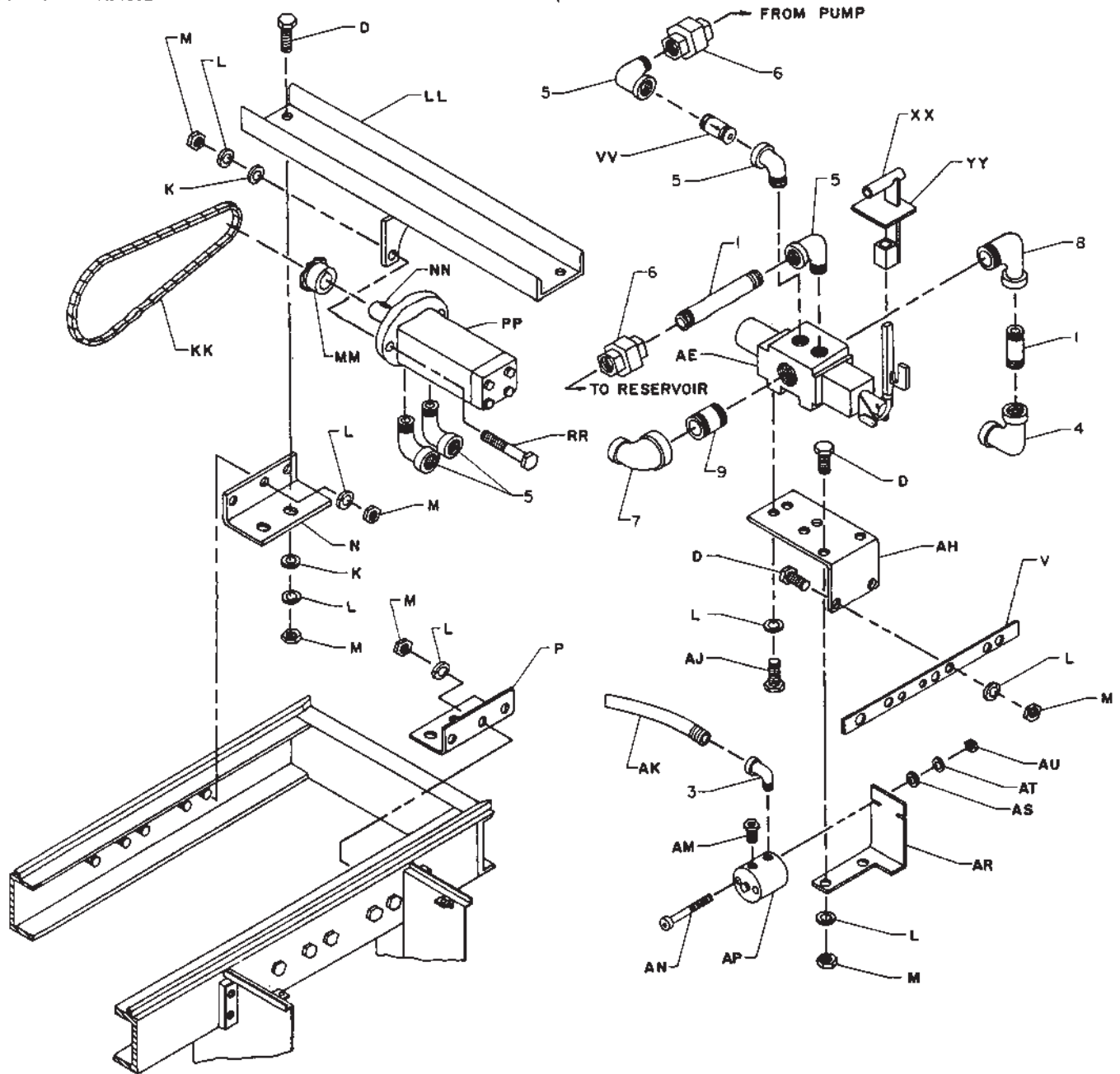
FIG. 15

EXTENSION BOX & CONTROL BOX WITH OPTIONAL POWER CARRIAGE

When ordering replacement parts, always mention lift model number and serial number.

Code No.	No. Req.	Symbol No.	Description
D	8	K01902	Hex Hd. Bolt 3/8"-16 x 1"
K	6	K02206	Flat Washer 3/8"
L	18	K50775	Lockwasher 3/8"
M	14	K01943	Hex Nut 3/8"-16
N	1	N21466-02	Support Bracket
P	1	N21466-01	Support Bracket
V	1	N21460	Ratchet Support Bar
KK	1	K95021	Roller Chain
LL	1	N21744	Motor Mtg. Bracket
MM	1	K90614	Sprocket
NN	1	K61559	Key 1/4" x 1"
PP	1	N21475	Hydraulic Motor
RR	2	K01954	Hex Hd. Bolt 3/8"-16 x 1-1/2"
VV	1	K91952	Orifice

Code No.	No. Req.	Symbol No.	Description
XX	1	N21743	Control Handle
YY	1	K91950	Control Valve Shield
AE	1	R16223	Control Valve Assy.
AH	1	R16224	Valve Mounting Bracket
AJ	4	K01901	Hex Hd. Bolt 3/8"-16 x 3/4"
AK	1	K91951	Hydraulic Hose
AM	1	Q10850-01	Breather Vent
AN	2	Q10037-72	Socket Hd. Cap Screw #10-32
AP	1	N21739	Short Stroke Hydraulic Cylinder
AR	1	N21742	Cylinder Mounting Bracket
AS	2	K65235-22	Flat Washer #10
AT	2	K50866	Lockwasher #10
AU	2	K22733	Hex Nut #10-32



TI3896

FIG. 16

EXTENSION BOX WITH OPTIONAL POWER CARRIAGE

A-3FM5A

PANZITTA SALES & SERVICE

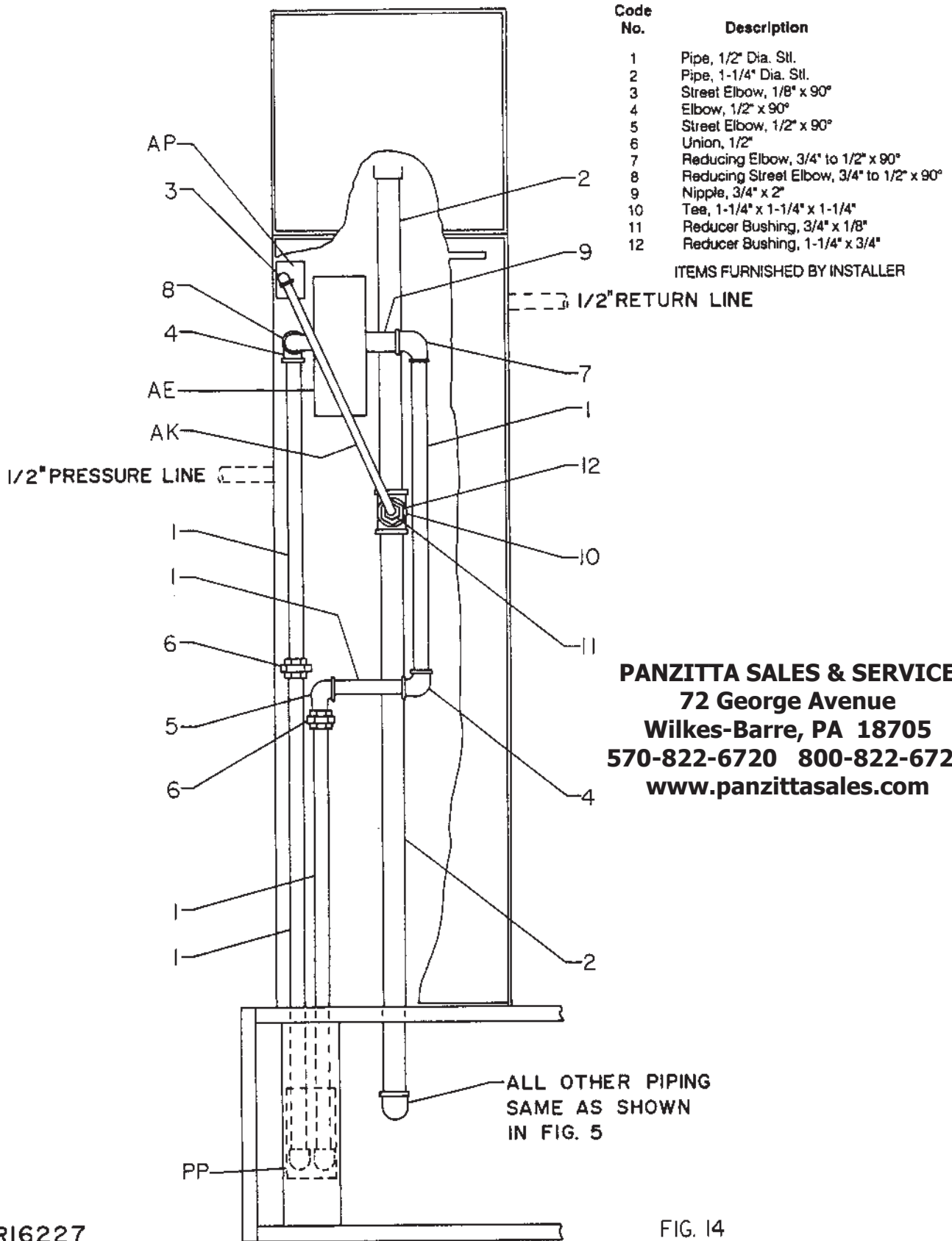
72 George Avenue

Wilkes-Barre, PA 18705

570-822-6720 800-822-6720

www.panzittasales.com

When ordering replacement parts, always mention lift model number and serial number.



PANZITTA SALES & SERVICE
 72 George Avenue
 Wilkes-Barre, PA 18705
 570-822-6720 800-822-6720
 www.panzittasales.com

RI6227

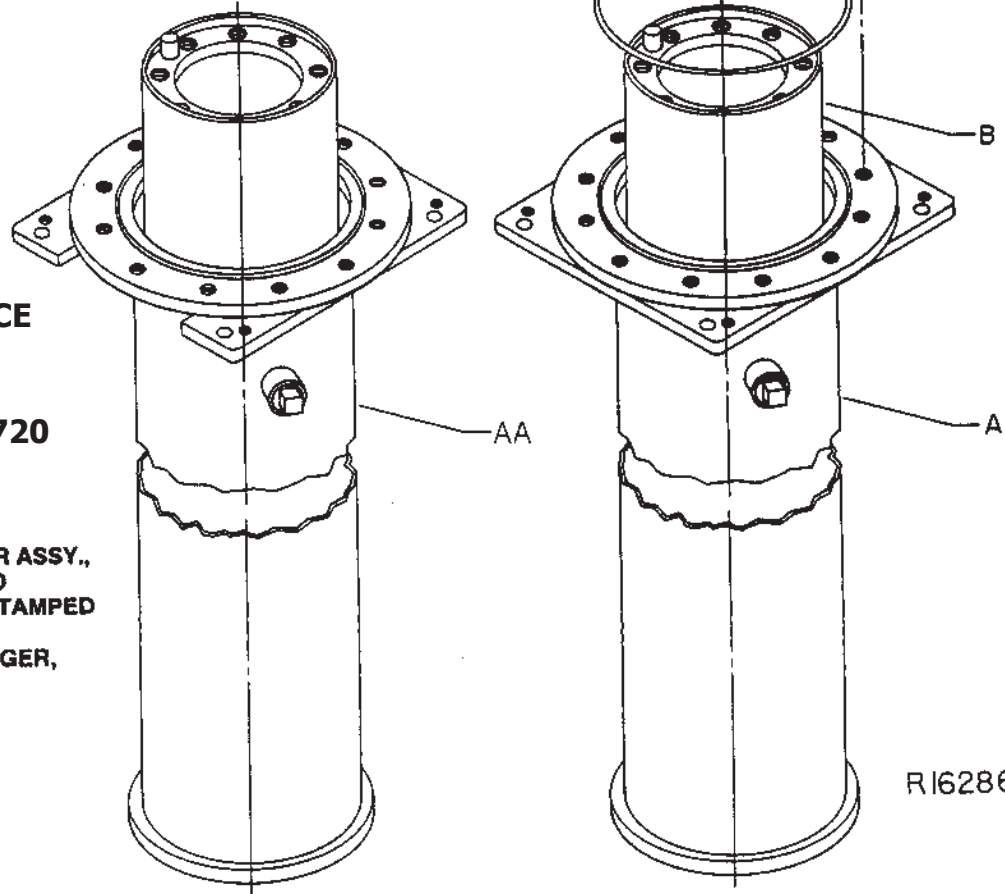
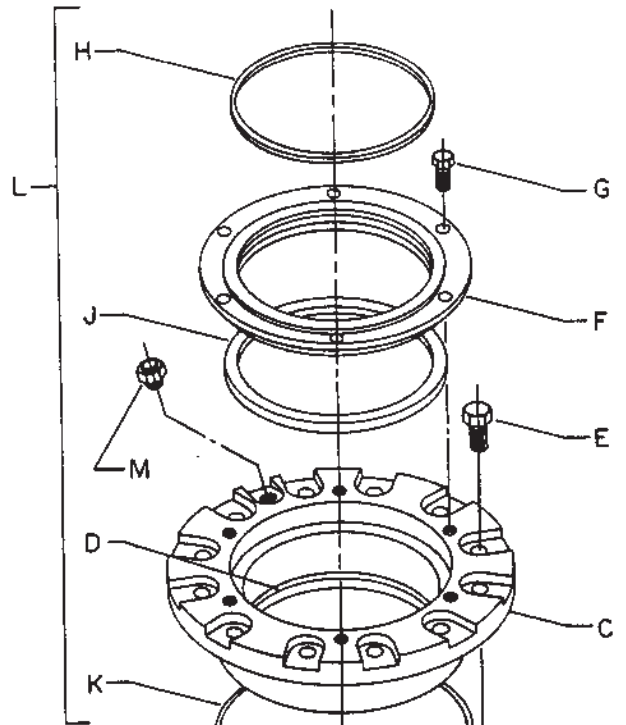
FIG. 14

PIPING FOR OPTIONAL POWER CARRIAGE

When ordering replacement parts, always mention lift model number and serial number.

Code No. No. Req.	Symbol No.	Description
FOR AUTO LOCK LEGS		
	1	T13944-01 Plunger & Cylinder Assembly
A	1	T13938-G1 Cylinder Assembly
B	1	T13935-G2 Plunger Assembly (See note)
C	1	T13943-02 Upper Bearing
D	1	Felt Wiper
E	12	Q10412-01 Hex Hd. Bolt 3/4"-10 x 2-1/4"
F	1	R18229-02 Wiper Retainer
G	6	K01907 Hex Hd. Bolt 7/16"-14 x 1-1/2"
H	1	Wiper
J	1	Seal
K	1	O-Ring
L	1	K34301 Seal Kit (Includes D, H, J & K)
M	1	N21812-G1 Air Vent

Code No. No. Req.	Symbol No.	Description
FOR REMOTE LOCK LEGS		
	1	T13944-02 Plunger & Cylinder Assembly
AA	1	T13938-G2 Cylinder Assembly
B	1	T13935-G2 Plunger Assembly (See note)
C	1	T13943-02 Upper Bearing
D	1	Felt Wiper
E	12	Q10412-01 Hex Hd. Bolt 3/4"-10 x 2-1/4"
F	1	R18229-02 Wiper Retainer
G	6	K01907 Hex Hd. Bolt 7/16"-14 x 1-1/2"
H	1	Wiper
J	1	Seal
K	1	O-Ring
L	1	K34301 Seal Kit (Includes D, H, J & K)
M	1	N21812-G1 Air Vent



R16286

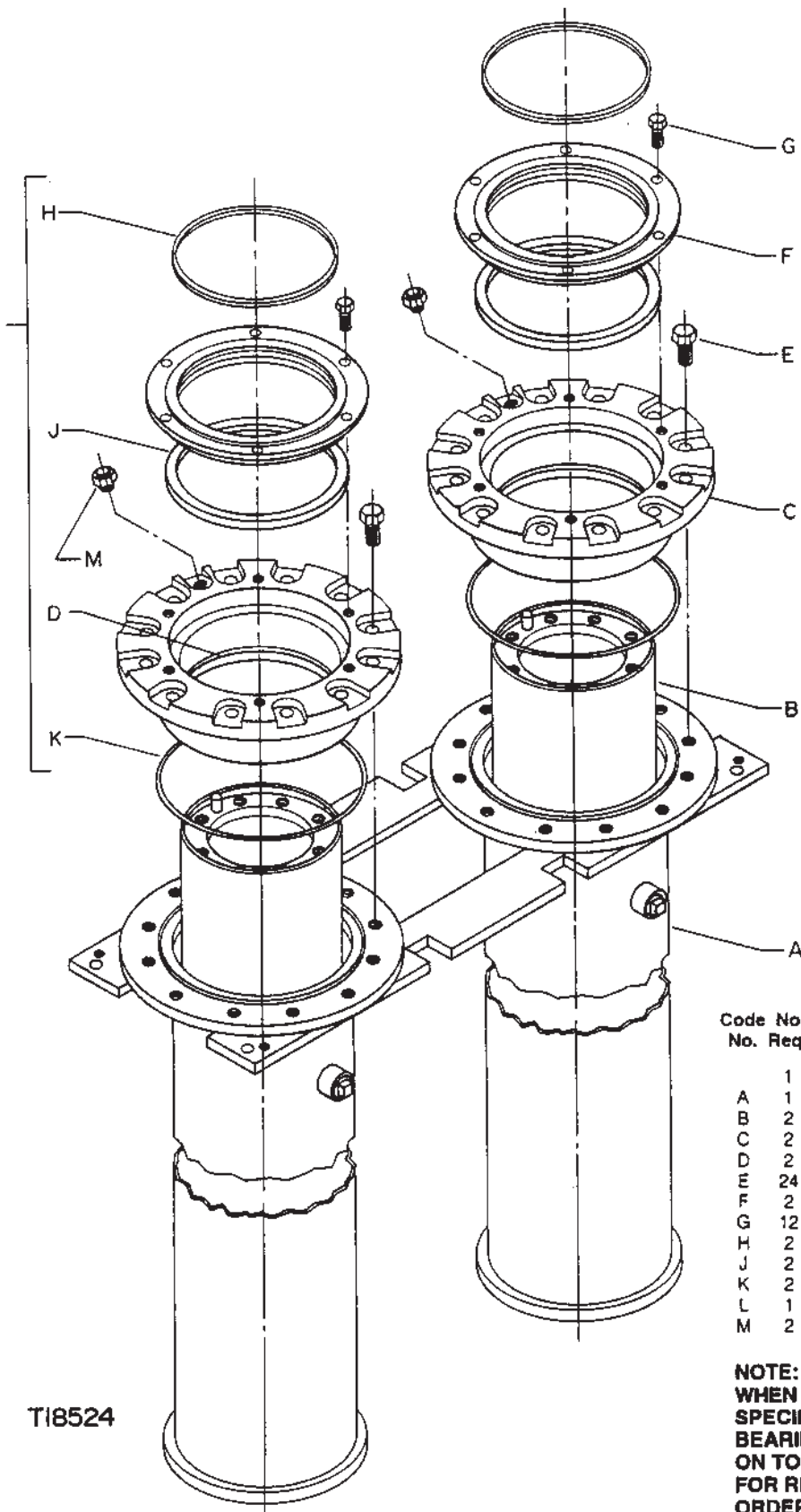
PLUNGER AND CYLINDER ASSEMBLY (FRONT)

PANZITTA SALES & SERVICE
 72 George Avenue
 Wilkes-Barre, PA 18705
 570-822-6720 800-822-6720
 www.panzittasales.com

NOTE:
 WHEN ORDERING PLUNGER ASSY.,
 SPECIFY SYMBOL NO. AND
 BEARING CODE LETTER STAMPED
 ON TOP OF PLUNGER.
 FOR REPLACEMENT PLUNGER,
 ORDER KIT NO. K92936

When ordering replacement parts, always mention lift model number and serial number.

PANZITTA SALES & SERVICE
72 George Avenue
Wilkes-Barre, PA 18705
570-822-6720 800-822-6720
www.panzittasales.com



T18524

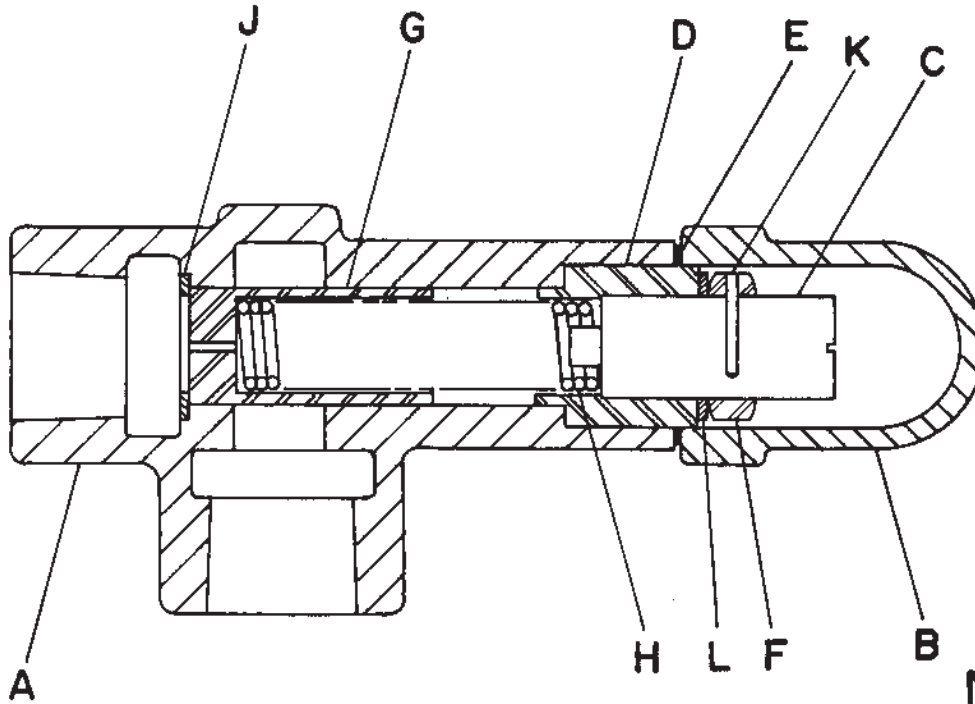
Code No	No. Req.	Symbol No.	Description
	1	T14000-G1	Dual Plunger & Cylinder Assembly
A	1	T13999-G1	Dual Cylinder Assembly
B	2	T13935-G1	Plunger Assembly (See note)
C	2	T13943-02	Upper Bearing
D	2		Felt Wiper
E	24	Q10412-01	Hex Hd. Bolt 3/4"-10 x 2-1/4"
F	2	R18229-02	Wiper Retainer
G	12	K01907	Hex Hd. Bolt 7/16"-14 x 1-1/2"
H	2		Wiper
J	2		Seal
K	2		O-Ring
L	1	K34301	Seal Kit (includes D,H,J & K)
M	2	N21812-G1	Air Vent

NOTE:
WHEN ORDERING PLUNGER ASSY.,
SPECIFY SYMBOL NO. AND
BEARING CODE LETTER STAMPED
ON TOP OF PLUNGER.
FOR REPLACEMENT PLUNGER,
ORDER KIT NO. K92935

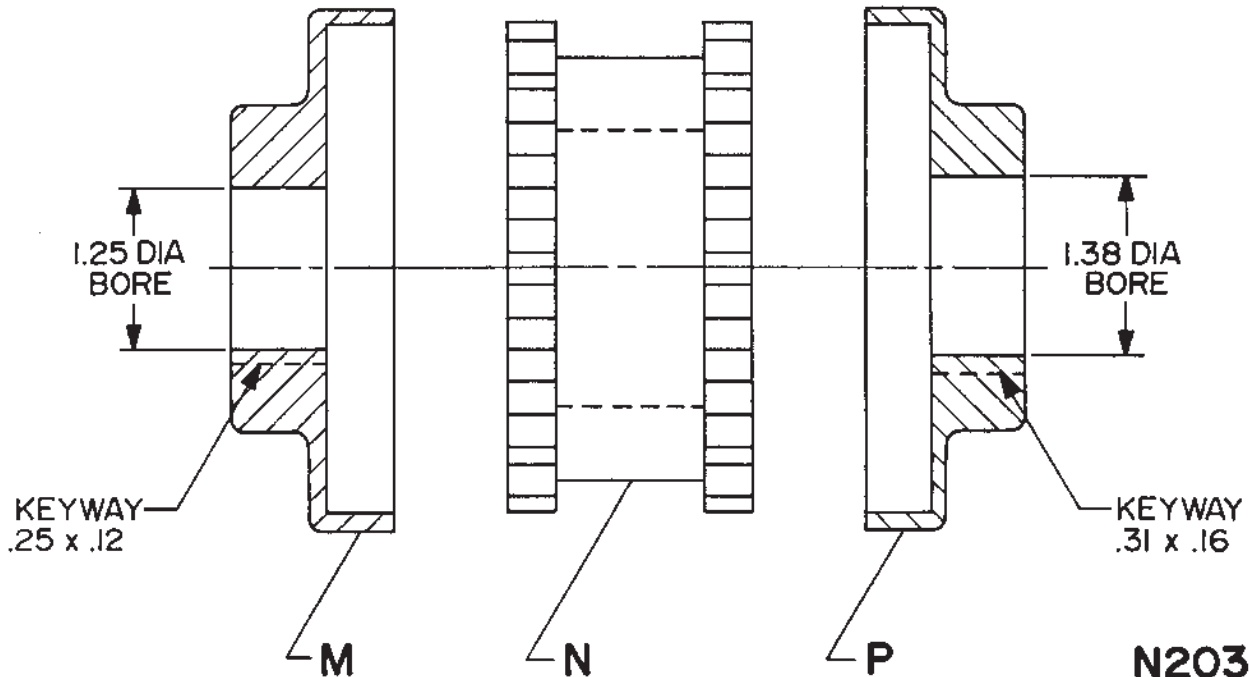
PLUNGER AND CYLINDER ASSEMBLY (REAR)

When ordering replacement parts, always mention lift model number and serial number.

Code No. No. Req.	Symbol No.	Description	Code No. No. Req.	Symbol No.	Description
A 1	N20302-02	Body	H 1	N20302-12	Spring
B 1	N20302-03	Cap	J 1	N20302-10	Stop Ring
C 1	N20302-04	Adjusting Screw	K 1	K48864	Groove Pin
D 1	N20302-05	Retainer	L 1	N16599-72	Flat Washer
E 1	N20302-06	Gasket	M 1	N20382-03	Flange 1-1/4" Bore
F 1	N20302-07	Locknut	N 1	N20382-02	Sleeve
G 1	N20302-08	Piston	P 1	N20382-04	Flange 1-3/8" Bore



N20342



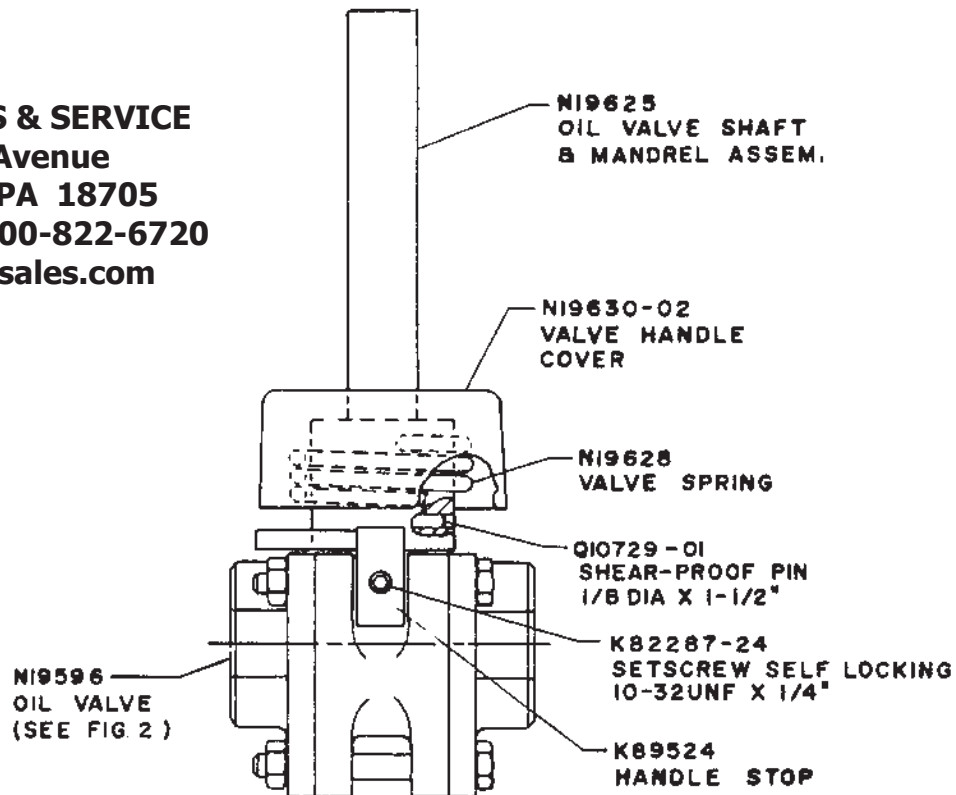
N20388

RELIEF VALVE AND COUPLING

PANZITTA SALES & SERVICE
 72 George Avenue
 Wilkes-Barre, PA 18705
 570-822-6720 800-822-6720
 www.panzittasales.com

When ordering replacement parts, always mention lift model number and serial number.

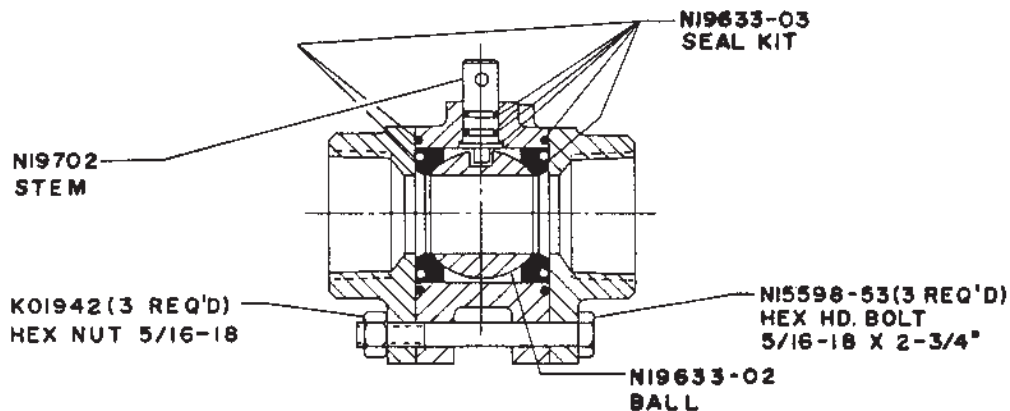
PANZITTA SALES & SERVICE
72 George Avenue
Wilkes-Barre, PA 18705
570-822-6720 800-822-6720
www.panzittasales.com



FLOOR CONTROL
COMPLETE OIL VALVE
ASSEMBLY NI4467

FIG. 1

NOTE: THE OIL VALVE REPAIR KIT K34124 IS TO CHANGE METHOD OF ASSEMBLING VALVE STEM & MANDREL FROM SETSCREW TO SHEAR-PROOF PIN. (NOTE: FOR VALVE STEMS & MANDRELS WHICH ARE ALREADY PINNED, ORDER INDIVIDUAL PARTS AS NEEDED).



REPLACEMENT PARTS FOR OIL VALVE NI9596

FIG. 2

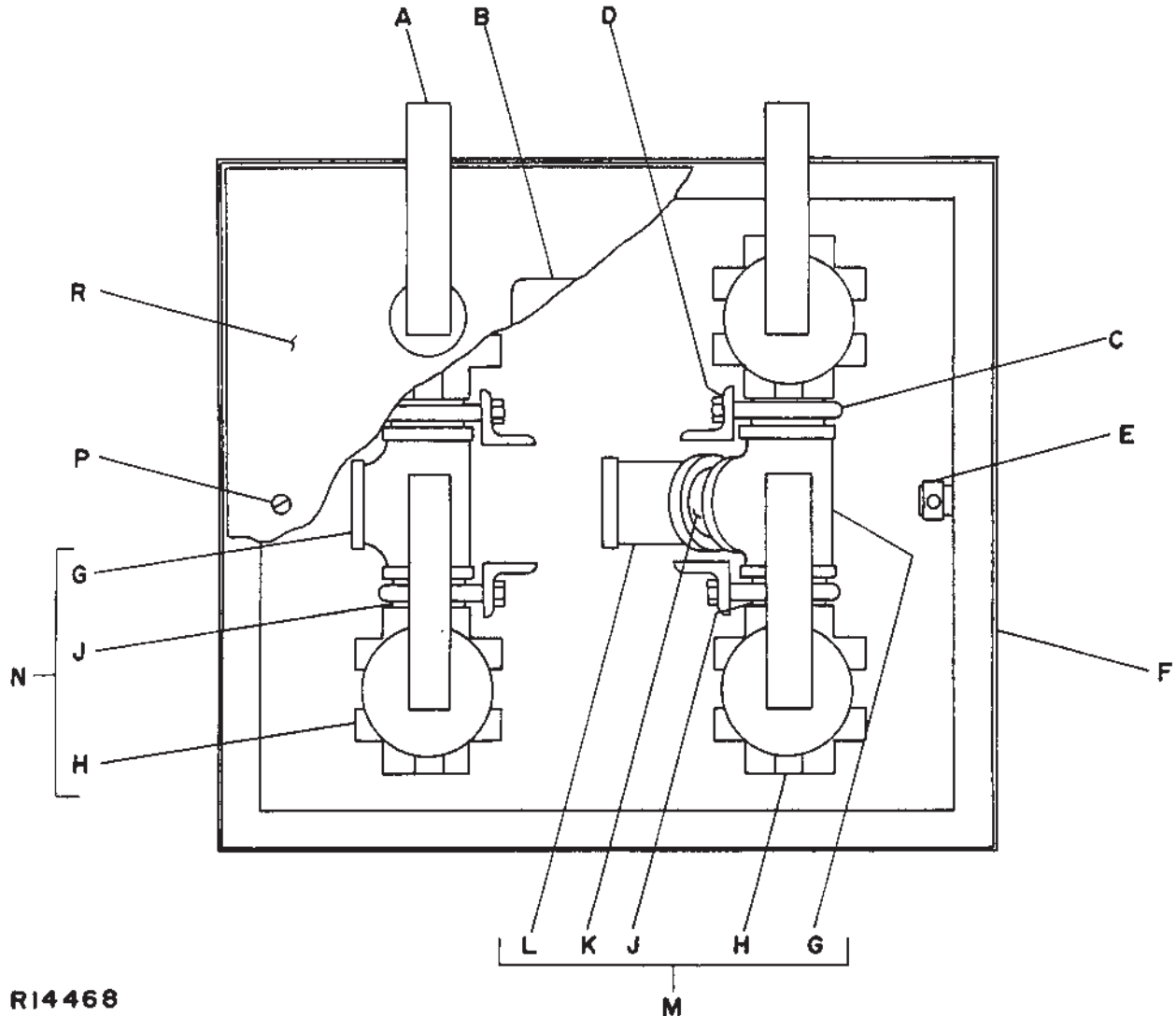
N20339

OIL VALVE IN CONTROL BOX

When ordering replacement parts, always mention lift model number and serial number.

Code No. No. Req.	Symbol No.	Description	Code No. No. Req.	Symbol No.	Description
A	4	N19602	V	1	K03478
B	1	N21383	W	1	K88349-03
C	4	K58558	X	1	K05287
D	17	K01941	Y	8	Q10412-05
E	2	K81038-24	Z	9	K43948
F	1	T09511	AA	1	N21369-01
F	1	T09511-01	BB	1	R14601
G	2	K02309A01	CC	1	N21365
H	4	R14467	DD	1	N21366
J	4	R11494-51	FF	1	N21370
K	1	R11494-20	JJ	1	N21361
L	1	K03608-24	KK	1	R14604
M	1	R13500	LL	2	K90174
N	1	R13499	MM	4	K50775
P	2	K11061	NN	4	K01902
R	1	R14465	PP	2	K90173
S	2	K03481	RR	2	N21367
T	2	K08441	SS	4	K02204
U	1	K02332	TT	4	Q10218-06
					Nipple 1/4" x 4-3/4"
					Clip
					Hex Hd. Bolt 1/4"-20 x 1/2"
					Hex Hd. Bolt 1/4"-20 x 2"
					Lockwasher 1/4"
					Control Valve Assembly
					Mounting Bracket
					Cam Assembly
					Cam Assembly
					Pipe Support Assembly
					Cam Guide
					Mounting Bracket
					Retainer Bar
					Lockwasher 3/8"
					Hex Hd. Bolt 3/8"-16 x 1"
					Cam Follower Assembly
					Plate
					Flat Washer 1/4"
					Lock Nut 1/4"-20

SEE PAGES 8 & 10 FOR CONTROL BOX LOCATION

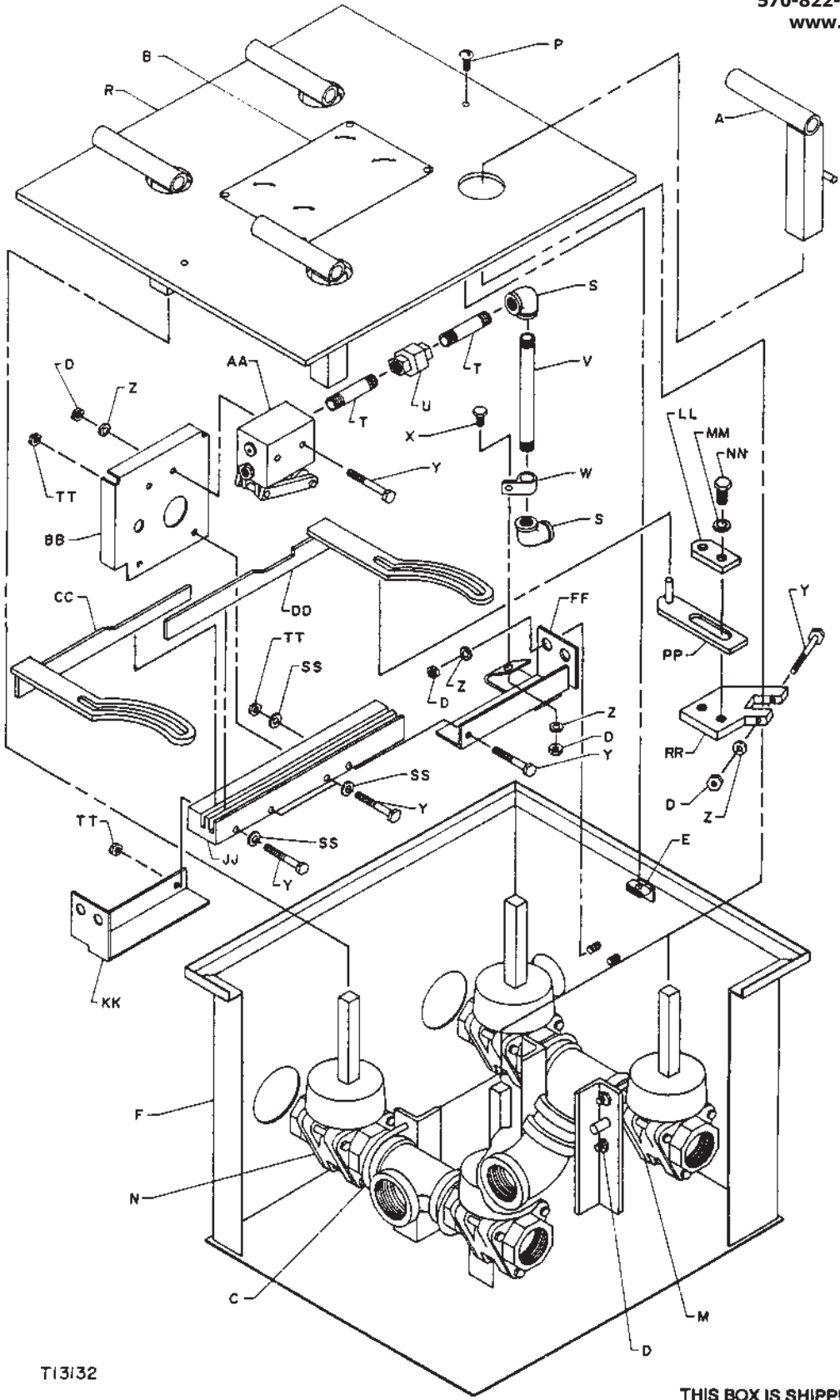


R14468 CONTROL BOX ASSEMBLY (AUTOMATIC LOCK LEG)

A-3FM5A

PANZITTA SALES & SERVICE
 72 George Avenue
 Wilkes-Barre, PA 18705
 570-822-6720 800-822-6720
 www.panzittasales.com

When ordering replacement parts, always mention lilt model number and serial number.



T13132

THIS BOX IS SHIPPED ASSEMBLED.

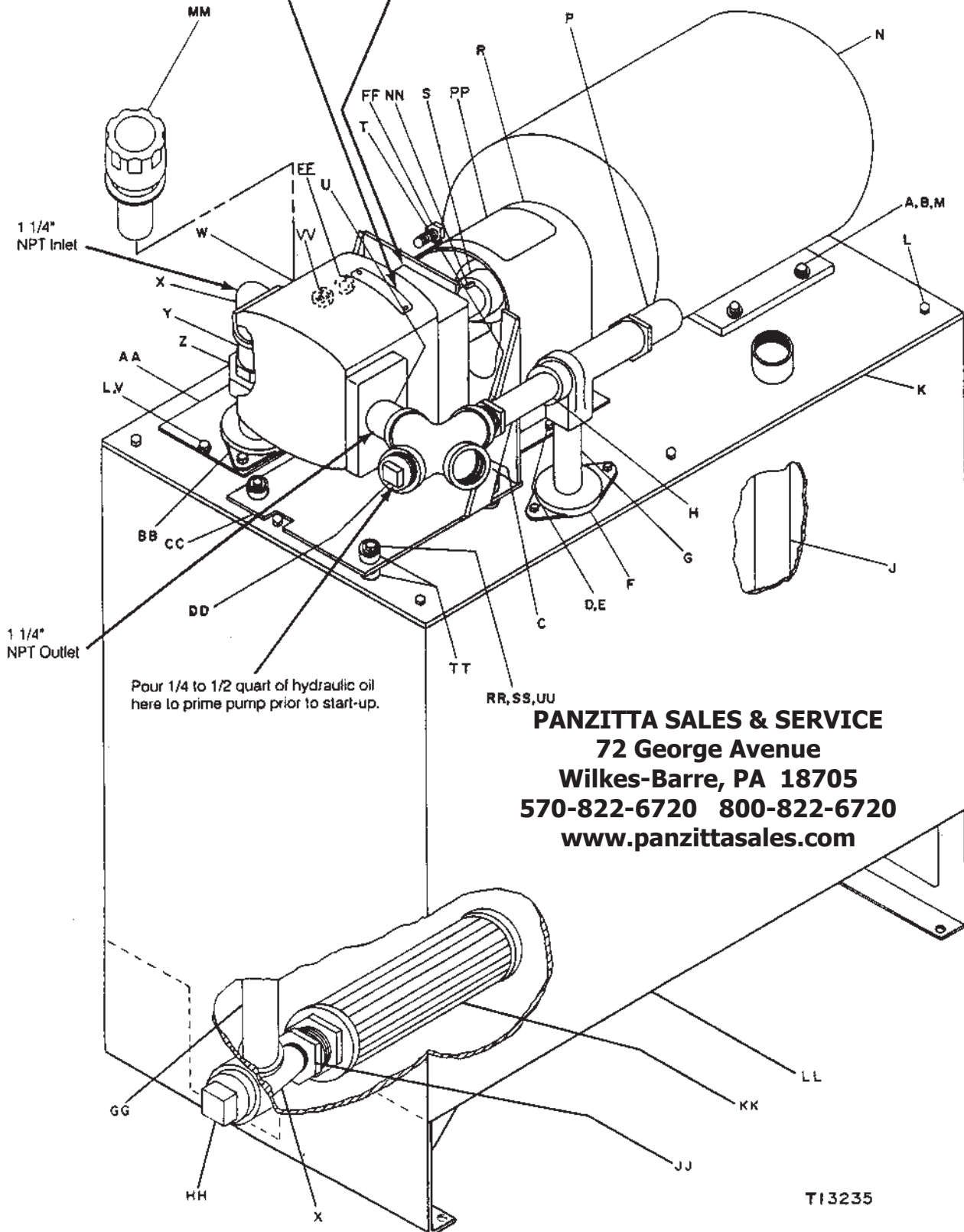
CONTROL BOX ASSEMBLY (OPTIONAL REMOTE CONTROL LOCK LEG)

NOTE

Pump **MUST** be mounted with name tag up.

CAUTION

Pump rotation **MUST** be clockwise when facing pump from shaft end. Pump and motor shafts must be aligned within .03 inches.



ELECTRIC OIL POWER UNIT FOR MODELS E 01 AND E 03 (WITH COMMERCIAL SHEARING PUMP)

PANZITTA SALES & SERVICE
72 George Avenue
Wilkes-Barre, PA 18705
570-822-6720 800-822-6720
www.panzittasales.com

When ordering replacement parts, always mention lilt model number and serial number.

Code No.	No. Req.	Symbol No.	Description
A	4	K01903	Hex Hd. Bolt 3/8-16 x 1-1/4"
B	4	K50775	Lockwasher 3/8"
C	1	K06776-01	Cross 1-1/4"
D	2	K05287	Hex Hd. Bolt 1/4-20 x 1/2"
E	2	K50773	Lockwasher 1/4"
F	1	N21737-01	Suction Flange
G	1	K89450	Relief Pipe 1"
H	1	K02984	Nipple 1" x 3"
J	1	K89451	Return Pipe 1-1/4"
K	1	R14504-03	Tank Cover (170 Gal.)
L	10	K60521-24	Hex Hd. Self Tapping Screw #14 x 5/8"
M	4	K02206	Flat Washer 3/8"
N	1	T08833-84	Motor 7-1/2 HP, 208-230/460V, 60 HZ, 3 PH
N	1	T08833-83	Motor 7-1/2 HP, 230V, 60 HZ, 1 PH
P	1	N20302-01	Relief Valve (For Replacement Parts See Page 24)
R	1	R14502	Coupling Guard
S	1	N20382-01	Coupling (For Replacement Parts, See Page 24)
T	1	Q10837-10	Hex Reducing Bushing 1-1/4" to 1"
U	1	R11494-34	Nipple 1-1/4" x 2-3/4"
V	2	K66871	Flat Washer
W	1	K89445	Gear Pump
X	2	K62381	Street Elbow 1-1/4" x 90°
Y	1	R11494-25	Nipple 1-1/4" x 2"
Z	1	K12176	Union 1-1/4"
AA	1	N20344	Filter Cover
BB	1	N21737-02	Suction Flange
CC	1	D-1190-00	Pump Mounting Bracket
DD	1	K02309C02	Pipe Plug 1-1/4"
EE	4	K02455	Lockwasher 1/2"
FF	4	B-101-376	Hex Hd. Bolt 1/2-13 x 1-3/4"
GG	1	R11532-73	Suction Pipe 1-1/4" x 31"
HH	1	K02266	Pipe Plug 2"
JJ	1	K61580	Hex Reducing Bushing 2" to 1-1/4"
KK	1	K89036	Suction Element
LL	1	T11927-03	Tank (170 Gal.)
MM	1	N20383	Air Breather (Twist Type)
NN	1	K89553	Pump Step Key
PP	1	K95022	Decal
RR	4	K03239	Hex Hd. Bolt 5/16"-18 x 1-1/2"
SS	4	K83676	Spacer
TT	8	K83674	Rubber Mount
UU	4	N16599-35	Washer.
VV	4	K01945	Hex. Nut 1/2"-13
WW	1	N23012	Pump Mount Kit, Includes Items: W, CC, EE, FF, NN, RR, SS, TT, UU, VV