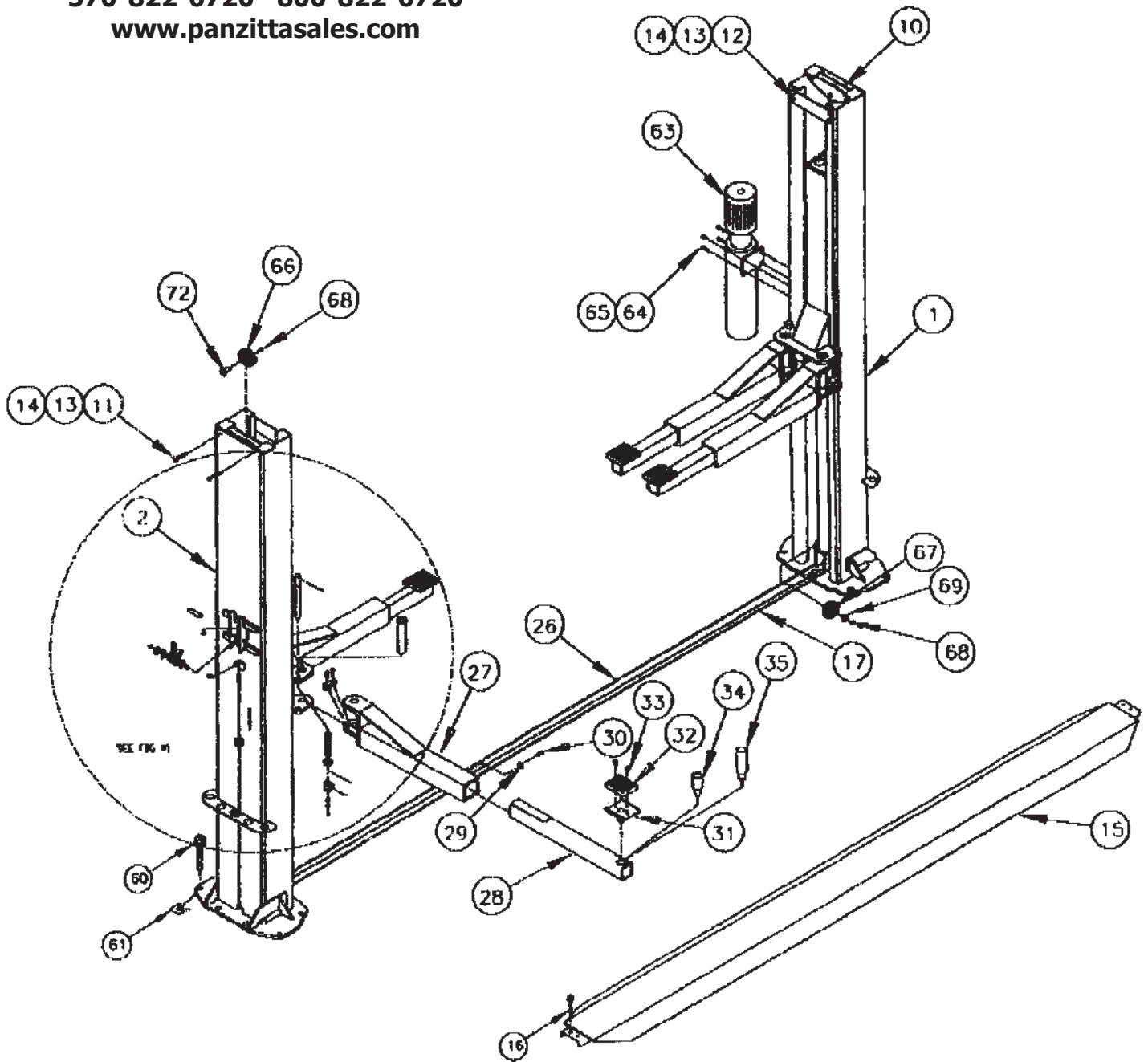


MAGNUM LIFTS

**PANZITTA SALES & SERVICE
72 George Avenue
Wilkes-Barre, PA 18705
570-822-6720 800-822-6720
www.panzittasales.com**

PARTS MANUAL – MODEL 9000FC MAGNUM

PANZITTA SALES & SERVICE
72 George Avenue
Wilkes-Barre, PA 18705
570-822-6720 800-822-6720
www.panzittasales.com



9000FC MAGNUM.max

PANZITTA SALES & SERVICE
72 George Avenue
Wilkes-Barre, PA 18705
570-822-6720 800-822-6720
www.panzittasales.com

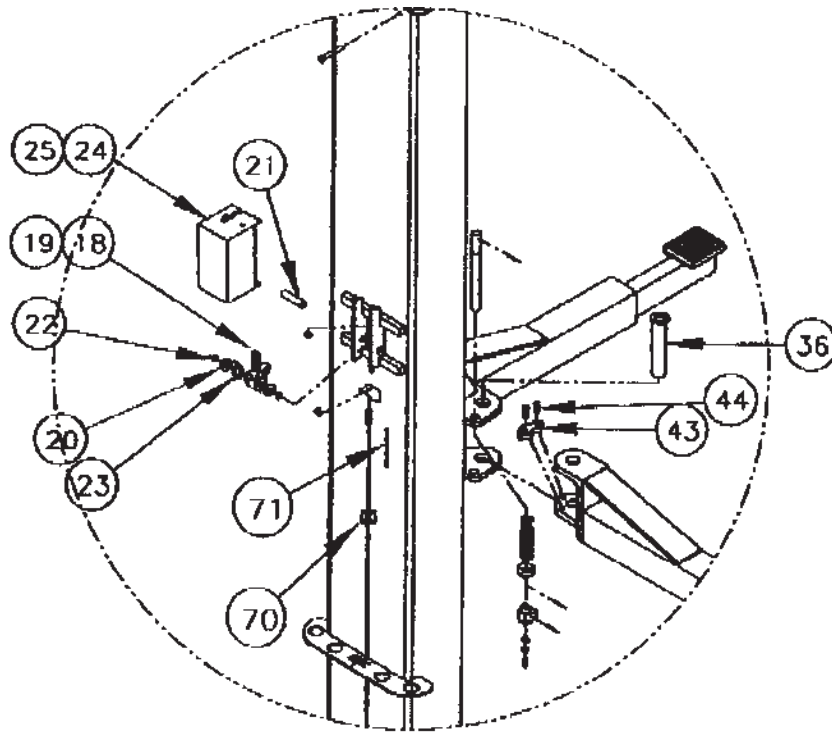
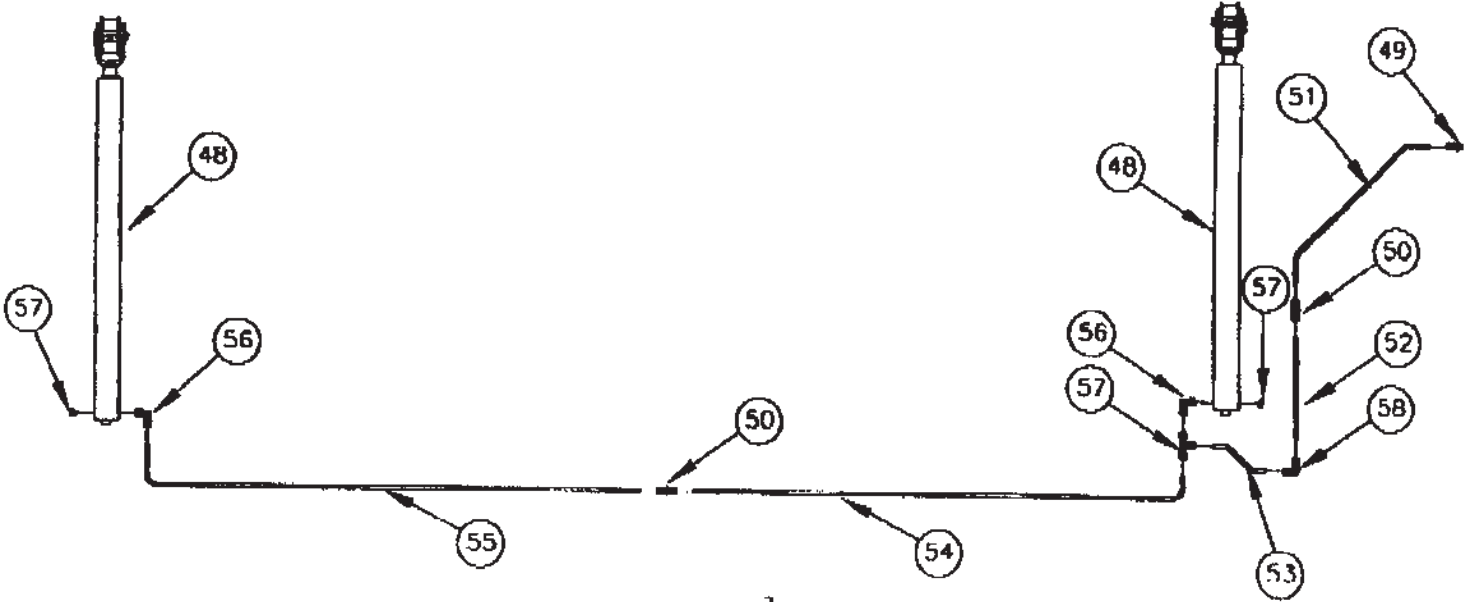
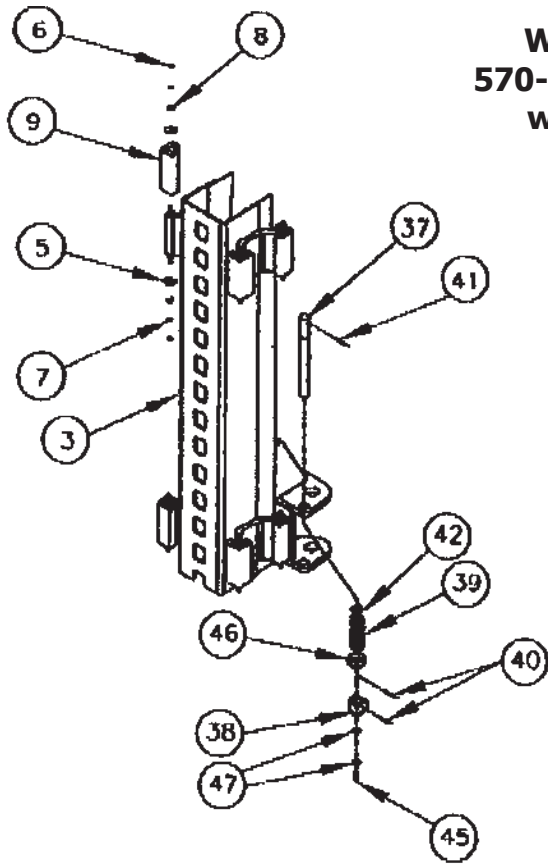


FIG #1

9000FC MAGNUM.max

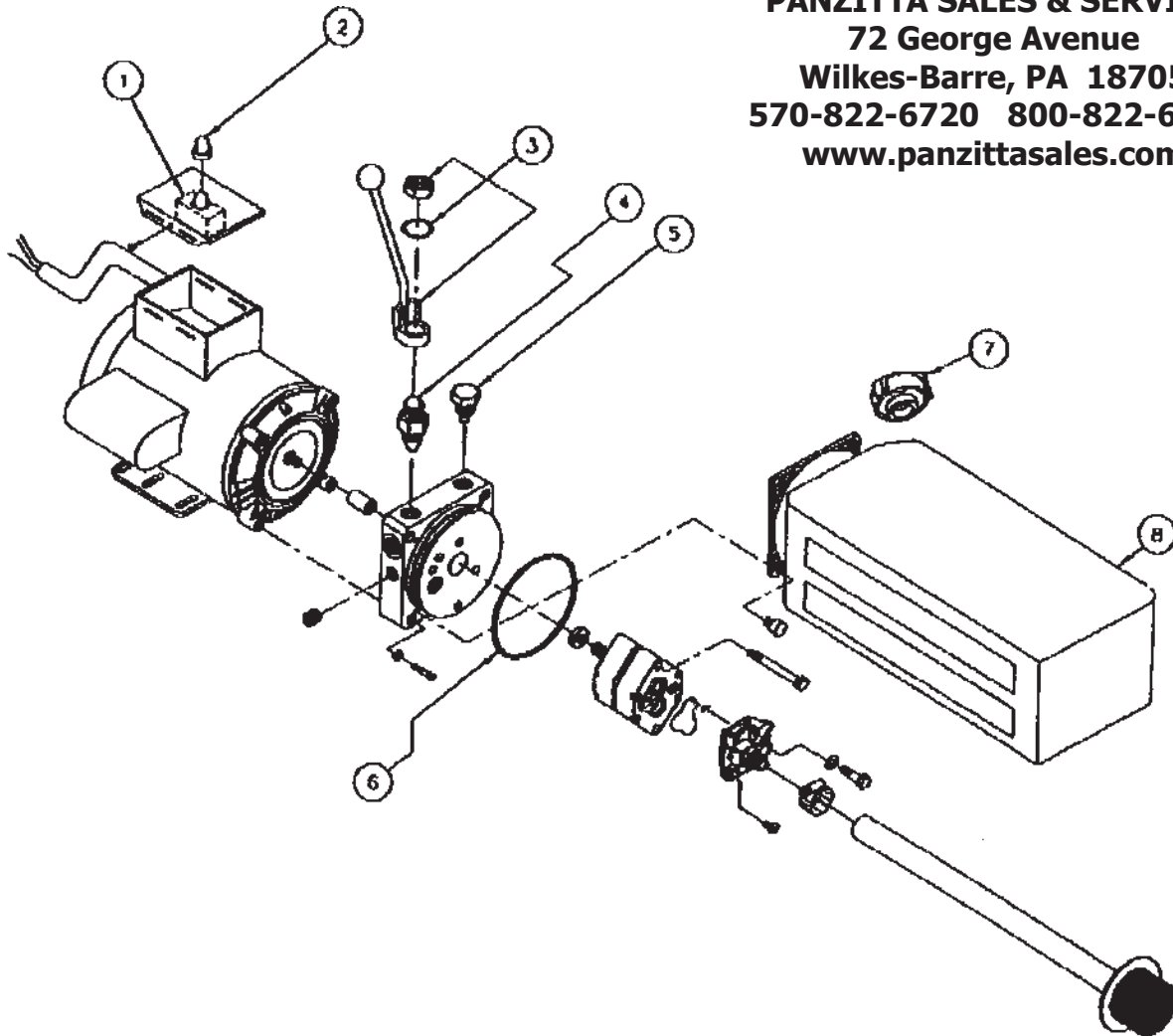
PANZITTA SALES & SERVICE
 72 George Avenue
 Wilkes-Barre, PA 18705
 570-822-6720 800-822-6720
www.panzittasales.com



3.

9000FC MAGNUM.max

PANZITTA SALES & SERVICE
72 George Avenue
Wilkes-Barre, PA 18705
570-822-6720 800-822-6720
www.panzittasales.com



ITEM NO.	DESCRIPTION	PART #	QTY.
1	MICROSWITCH	95074	1
2	MICROSWITCH BOOT	95075	1
3	MANUAL RELEASE ASSY	95041	1
4	MANUAL RELEASE VALVE	95035	1
5	VALVE CARTRIDGE CHECK	95036	1
6	RESERVOIR O-RING	95076	1
7	BREATHER	95044	1
8	RESERVOIR	95040	1

PANZITTA SALES & SERVICE
 72 George Avenue
 Wilkes-Barre, PA 18705
 570-822-6720 800-822-6720
 www.panzittasales.com

		BASE MODEL	9FC MAG	
	LIFT PART NUMBER		90141	
	OVERALL HEIGHT		141-3/8"	QT
1	POST STRUCTURE - RH		91729	1
2	POST STRUCTURE - LH		91733	1
3	CARRIAGE STRUCTURE		92016	2
9	BEARING BLOCK		91564	16
66	SHEAVE ASSEMBLY		91748	2
72	SHAFT STRUCTURE - OVERHEAD SHEAVE		91755	2
67	SHEAVE		91565	4
68	SNAP RING 3/4"		103000	6
69	FLATWASHER 3/4" SAE		100512	6
10	MOUNT - SHEAVE UPPER		91750	2
11	HHCS 3/8-16NC X 3-1/2" GR 5 ZINC		101032	4
12	BAR TIE		91754	2
13	HFHSL 3/8-16NC X 1"		100238	10
14	HFHSL NUT 3/8-16NC GR 5 ZINC		100239	10
#	SHAFT STRUCTURE		91755	2
15	CROSSOVER STRUCTURE		91758	1
16	ANCHOR BOLT 3/8" X 3-3/4"		95082	4
17	ACTUATOR CABLE 266"		91731	1
#	CABLE CLIP		103021	3
18	CARRIAGE LATCH - RH		91599	1
19	CARRIAGE LATCH - LH		91600	1
#	HANDLE - CARRIAGE STOP		91781	1
20	FLAT WASHER 3/4" SAE		100512	4
#	KNOB		91575	1
21	PIN - PIVOT - CARRIAGE STOP		91576	2
22	3/4" SNAP RINGS		103000	4
23	TORSION SPRING - CARRIAGE STOP		103016	2
24	LATCH COVER POWER UNIT SIDE 9FC		91762	1
25	LATCH COVER OFFSIDE 9FC		91763	1
26	CABLE - EQUALIZER - 9FC 28' 2-3/8"		92037	2
#	HEX NUT 5/8-11NC		100192	8
#	CHAIN - LIFTING 9FC - 89.25"		91764	2
#	PIN SHAFT		91727	4
#	5/16" SNAP RING		103032	8
27	ARM STRUCTURE		91613	4
28	ARM EXTENSION STRUCTURE		91615	4
29	FLATWASHER 3/8 SAE		100082	4
30	3/8 X 3/4 SELF TAPPING SCREW		101025	4
#	LIFT PAD ASSEMBLY		91555	4
31	LIFT PAD STRUCTURE		91556	1
32	PAD LIFT - BOLT ON		91559	1
33	HFHSL 3/8-16NC X 3/4		100179	2
34	LIFT PAD EXTENSION 2-5/8"		91560	4
35	LIFT PAD EXTENSION 5"		91562	4
36	ARM PIN STRUTURE		91063	4

PANZITTA SALES & SERVICE
72 George Avenue
Wilkes-Barre, PA 18705
570-822-6720 800-822-6720
www.panzittasales.com

	ITEM NUMBER	90141	
	OVERALL HEIGHT	141-3/8"	QT
37	SHAFT - ARM RESTRAINT	91581	4
38	GEAR - LOCKING	91582	4
39	SPRING - ACTUATING - ARM RESTRAINT	103017	4
40	ROLL PIN 3/16 X 1-1/2	103009	8
41	ROLL PIN 1/4 X 2-1/2	103018	4
42	1" SNAP RING	103019	4
43	GEAR - ARM RESTRAINT	91584	4
44	SHCS 3/8-18NC X 1"	101028	8
45	SHCS 5/16-18 X 3/4	101027	4
46	FLATWASHER 1" SAE	100143	4
47	FLATWASHER 5/16" SAE	100088	8
48	CYLINDER ASSEMBLY	91732	2
49	CONNECTOR - STRAIGHT	105023	1
#	PLASTIC CAP	101021	9
50	TUBE UNION	105032	2
51	HYDRAULIC LINE	91766	1
52	HYDRAULIC LINE	91767	1
53	HYDRAULIC LINE	91768	1
54	HYDRAULIC LINE	91769	1
55	HYDRAULIC LINE	91770	1
56	ELBOW - STRAIGHT THREAD	105040	2
57	SWIVEL NUT RUN TEE	105041	1
58	UNION ELBOW	105042	1
59	PLUG 3/8" NPT	105002	2
60	ANCHOR BOLT 3/4 X 5-1/2"	95083	12
61	SHIMS	95001	24
62	STRAIN RELIEF	103023	1
63	POWER UNIT	95103	1
64	HHFL SCR 5/16 X 18NC X 3/4 GR.5	100234	4
65	HHFL NUT 5/16 X 18NC	100237	4
70	ADHESIVE 4 WAY CABLE TIE	103020	4
71	TIE WRAP	103025	4
#	SERIAL NAME PLATE	95058	1
#	MAGNUM DECAL	95025	2
#	PB/800 DECAL 2X5 MYLAR	95006	1
#	CAUTION DECAL 9000 LB	95007	2
#	ETL DECAL	95045	1
#	ALI UNIFORM WARNING LABELS	95046	1
#	ALI SAFETY REQUIREMENTS FOR OPERATION	95047	1
#	ALI LIFTING POINT QUICK REF.	95048	1
#	LIFTING IT RIGHT MANUAL	95049	1
#	ALI SAFETY TIPS CARD	95062	1
#	BLUE TOUCH-UP PAINT	103007	1
#	YELLOW TOUCH-UP PAINT	103008	1
#	WARRANTY CARD	83423	1
#	MANUAL	95096	1
#	NOT SHOWN		