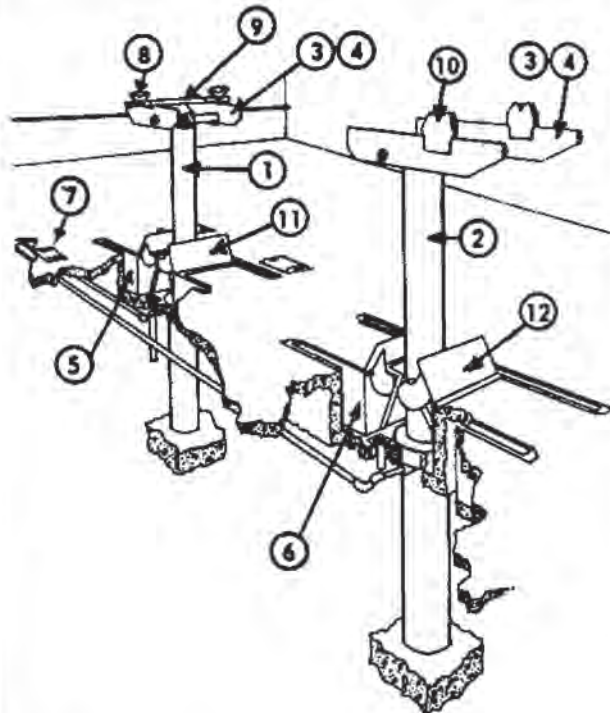


ER-28, 810 & 210
HOIST PARTS

ER-28 PARTS LIST

<u>Ref.</u>	<u>Quan.</u>	<u>Part No.</u>	<u>Description</u>
1&2	(2)	C-37439	8-1/2" Cylinder Assy. 72"
	(2)	B-37443	Cylinder Casing Only
	(2)	B-37442	Plunger Assembly Only
3&4	(2)	B-33403	Superstructure Assembly
5&6	(2)	B-37339	Pit Form & Door Assembly
7	(3)	CL-326910	Wheel Stops
8	(2)	B-40096	Axle Jacks (Front)
9	(1)	D-30500	Saddle Jack Assembly
10	(2)	B-40097	Axle Jacks (Rear)
	(12)	438xH20	Soc. Hd. Cap Scr. 3/4"- 10NC x 2-1/2"
	(12)	635x14	3/4" Lockwashers
	(12)	A-40690	Rawl Drive 5/16" x 1-1/2" Lg.
	(2)	B-25314	Adapter Jack
	(1)	A-34837-3	Wrench
	(1)	571x4C	Air Control Valve 1/2"
	(2)	581x10	Oil Control Valve 1-1/4"
	(1)	A-30080	Air Exhaust Muffler
11&12	(2)	B-32415	Door & Angle Assy. (Front & Rear)
	(1)	B-37229	Jack Hook



NOTE: For Cylinder detail and packing information see page 17

ER-810- PARTS LIST

<u>Ref.</u>	<u>Quan.</u>	<u>Part No.</u>	<u>Description</u>
1	(1)	C-37439	8-1/2" Cyl. Assy. (Front) 72"
	(1)	B-37443	Cylinder Casing Only
	(1)	B-37442	Plunger Assembly Only
2	(1)	C-35574	10-5/8" Cyl. Assy. (Rear) 74-1/2"
	(1)	B-35573	Cylinder Casing Only
	(1)	B-35570-3	Plunger Assembly Only
3	(1)	B-33403	Front Superstructure
4	(1)	B-40707	Rear Superstructure
5	(1)	B-37339	Front Pitform & Door Assy.
6	(1)	B-37347	Rear Pitform & Door Assy.
7	(4)	CL-326910	Wheel Stops
	(1)	571x4C	1/2" Air Valve
	(2)	581x10	1-1/4" Oil Control Valve
	(1)	A-30080	Air Exhaust Muffler
	(6)	438xH20	Soc. Hd. Cap Scr. 3/4"- 10NC x 2-1/2"
	(6)	438xI20	Soc. Hd. Cap Scr. 7/8"- 9NC x 2-1/2"
	(16)	A-40690	Rawl Drives
	(2)	B-40096	Front Axle Jacks
9	(1)	D-30500	Saddle Jack Assembly
10	(2)	B-40092	Rear Axle Jacks
11	(2)	B-32415	Front Door & Angle Assy.
12	(2)	B-32415-1	Rear Door & Angle Assy.
	(1)	B-37229	Jack Hook
	(1)	A-34837-2	Wrench (For 7/8" Screws)
	(1)	A-34837-3	Wrench (For 3/4" Screws)

ER-210 PARTS LIST

<u>Ref.</u>	<u>Quan.</u>	<u>Part No.</u>	<u>Description</u>
1&2	(2)	C-35574	1-05/8" Cylinder Assembly 74-1/2"
	(2)	B-35573	Cylinder Casing Only
	(2)	B-35570-3	Plunger Assembly Only
3&4	(2)	B-40707	Superstructure Assembly
5&6	(2)	B-37347	Pit Form & Door Assembly
7	(4)	CL-326910	Wheel Stops
8	(2)	B-40091	Axle Jacks (Front)
9	(1)	D-30500	Saddle Jack Assembly
10	(2)	B-40092	Axle Jacks (Rear)
	(12)	438xI20	Soc. Hd. Cap Scr. 7/8"- 9NC x 2-1/2"
	(12)	635x15	7/8" Lockwashers
	(16)	A-40690	Rawl Drive (5/16" x 1-1/2")
	(1)	A-34837-2	Wrench
	(1)	571x4C	Air Control Valve 1/2"
	(2)	581x10	Oil Control Valve 1-1/4"
	(1)	A-30080	Air Exhaust Muffler
11&12	(2)	B-32415-1	Door & Angle Assy. (Front & Rear)
	(1)	B-37229	Jack Hook