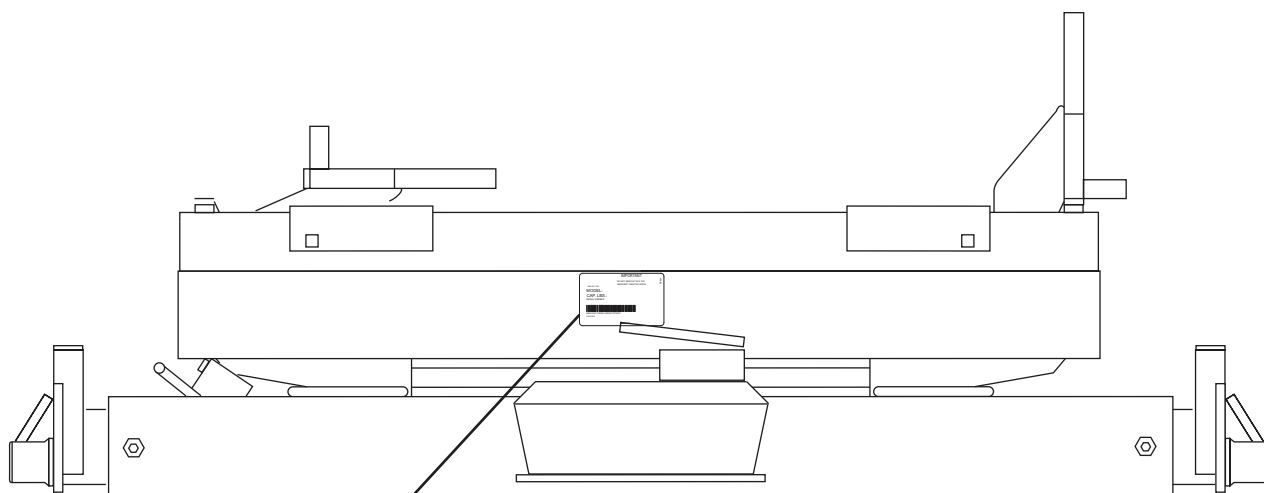


RJ151 Rolling Jack

Capacity: 15,000 lbs.

Installation, Safety, Operation and Maintenance Instructions



These Instructions Contain General Data.
Any Deviation From Customers Prints Or
Specifications Should Be Clarified Before
Proceeding With Jack Installation.

IMPORTANT

DO NOT REMOVE THIS TAG
WARRANTY IDENTIFICATION

800-423-1722

MODEL:
CAP. LBS.:
SERIAL NUMBER

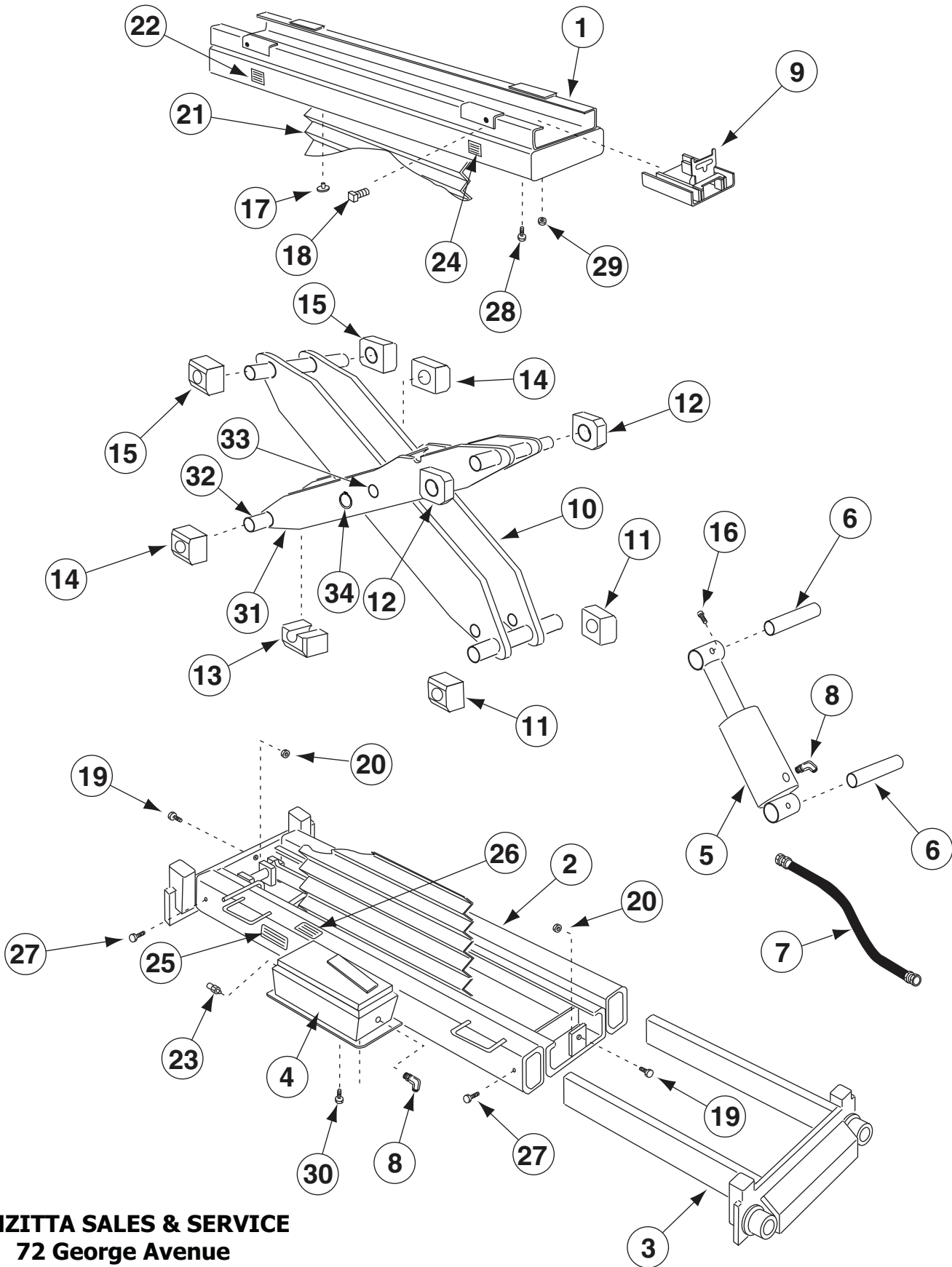


MANUFACTURED UNDER PATENT:
XXXXXX

FORWARD LIFT

PANZITTA SALES & SERVICE
72 George Avenue
Wilkes-Barre, PA 18705
570-822-6720 800-822-6720
www.panzittasales.com

Record this information for further reference.



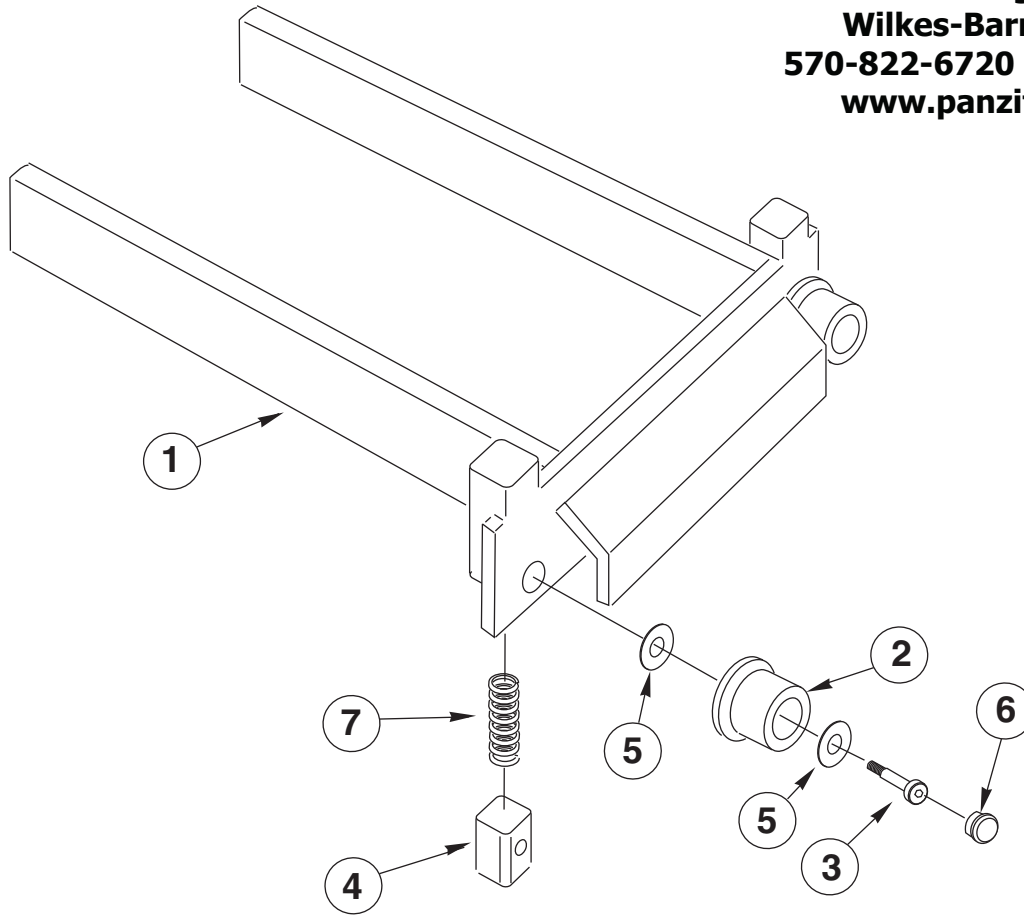
PANZITTA SALES & SERVICE
 72 George Avenue
 Wilkes-Barre, PA 18705
 570-822-6720 800-822-6720
 www.panzittasales.com

RJ151 REPLACEMENT PARTS			
ITEM NO.	DESCRIPTION	QTY.	PART NO.
1	Upper Channel	1	1500900
2	Lower Channel	1	FC5976-1
3	Telescoping End Section Assembly (see End Section breakdown)	2	1500902
4	Pump	1	1500903
5	Cylinder	1	1500904
6	Cylinder Shaft	2	FC5976-9
7	Hose	1	1500906
8	Elbow	2	1500907
9	Adapter	2	1500908
10	Inner Link	1	FC5976-5
11	Pillow Block Assy.	2	1500910
12	Pillow Block Assy.	2	1500911
13	Slider Block	1	1500912
14	Slider Block	2	1500913
15	Slider Block	2	1500914
16	1/4"-20NC x 1/4" Lg. Set Screw	2	40042
17	Retainer	16	1500915
18	Stop Bolt	4	1500916
19	1/2"-13NC x 4-1/2" Lg. HHCS (wide runway setting)	2	40334
	1/2"-13NC x 1-1/2" Lg. HHCS (narrow runway setting)		40300
20	1/2"-13NC Nut	2	40680
21	Guard Assembly	2	1500917
22	Caution Decal	1	NP207
23	Half Coupling	1	NP93
24	Caution Decal	1	NP260
25	Op. Instruction Decal	1	NP310
26	Capacity Decal	1	NP309
27	1/2"-13NC x 1-1/2" Lg. HHCS	4	40300
28	3/8"-16NC x 1" Lg. HHCS	4	40660
29	3/8"-16NC Hex Nut	4	40659
30	M8,1.25 x 14mm Lg. Tapping Screw	2	41535
31	Outer Link	1	FC5976-4
32	Slider Pin	1	FC5976-7
33	Center Pin	1	FC5976-6
34	External Retaining Ring	2	41422

PANZITTA SALES & SERVICE
72 George Avenue
Wilkes-Barre, PA 18705
570-822-6720 800-822-6720
www.panzittasales.com

Telescoping End Section

PANZITTA SALES & SERVICE
72 George Avenue
Wilkes-Barre, PA 18705
570-822-6720 800-822-6720
www.panzittasales.com



END SECTION PARTS			
ITEM NO.	DESCRIPTION	QTY.	PART NO.
1	End Section	1	1500918
2	Roller	2	1500919
3	Axle	2	1500920
4	Inner Guide	2	1500921
5	Bearing	4	1500922
6	Bumper	2	N/A
7	Spring	2	1500923

Installer:

Please return this booklet to literature package and give to lift owner/operator.