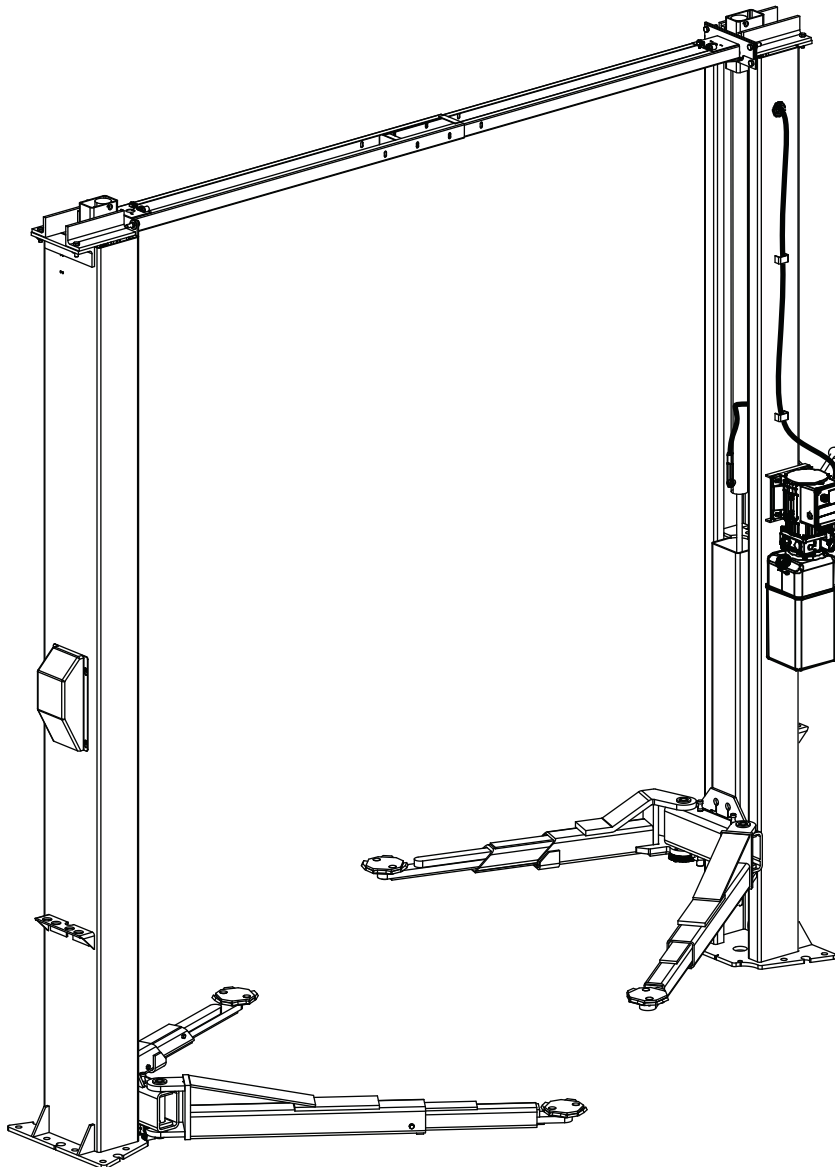


TWO POST LIFT INSTALLATION AND OWNERS MANUAL

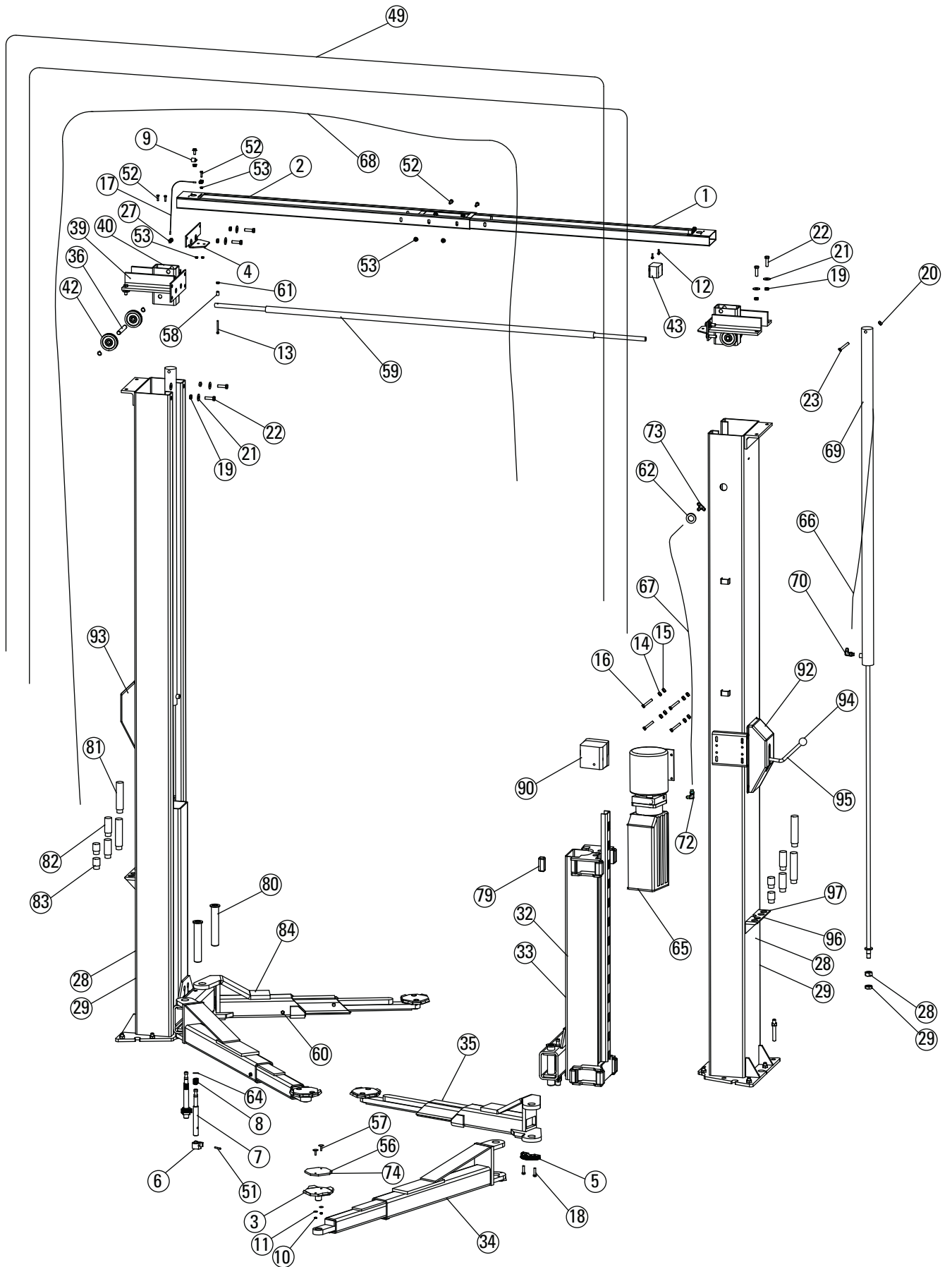
DP10 Series

Capacity 10,000 lbs.

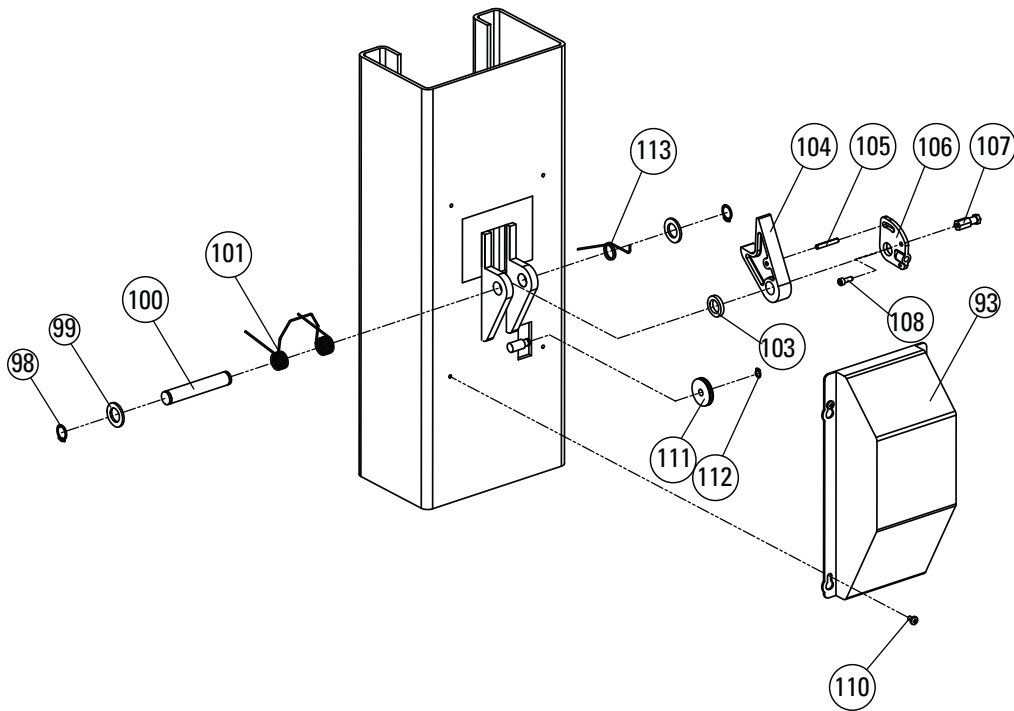
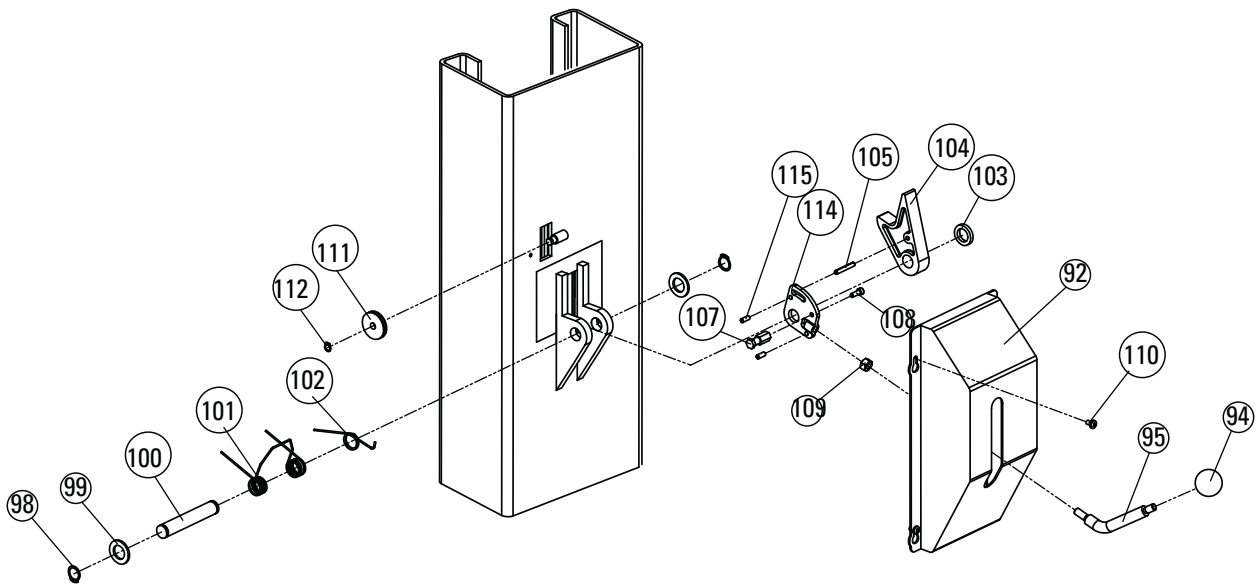
August 2009
IN6006
C07378.7 Rev. -



PANZITTA SALES & SERVICE
72 George Avenue
Wilkes-Barre, PA 18705
570-822-6720 800-822-6720
www.panzittasales.com



PANZITTA SALES & SERVICE
72 George Avenue
Wilkes-Barre, PA 18705
570-822-6720 800-822-6720
www.panzittasales.com



PANZITTA SALES & SERVICE
72 George Avenue
Wilkes-Barre, PA 18705
570-822-6720 800-822-6720
www.panzittasales.com

1	Mainside Overhead Weld	NDP10-3000A
2	Offside Overhead Weld	NDP10-3000B
3	Stackable Pad Weldment	106605
4	Overhead Bracket	NDP10-3004
5	Arm Restraint Gear	143534
6	Arm Restraint Pawl	143535
7	Arm Restraint Actuator Pin	143536
8	Arm Restraint Spring	143537
9	Hose Clamp	G3T-8005
10	1/4-20Nylon Insert Hex Nut	9911401
11	1/4 Washer	9911405
12	1/4-20 HHCS x1/2 Lg	9911421
13	1/4-20 HHCS x2 Lg	9911481
14	5/16-18 Hex Nut	9911701
15	5/16-18 Nylon Insert Lock Nut	9911703
16	5/16-18x1-1/4HHCS Grade 5	9911751
17	Cable Sheath	N618
18	3/8-16NC HHCS	912061
19	1/2-13 Hex Nut	912601
20	1/2-13 Nylon Insert Lock Nut	912603
21	1/2 Washer	912605
22	1/2-13 x1-3/4 HHCS	912671
23	1/2-13 x5 HHCS	912791
24	3/4-16 Hex Nut	913602
25	3/4-16 Hex Jam Nut	913611
26	3/4x5-1/2 Anchor Bolt	913828
27	1-1/4 SAE Washer	915206
28	Offside Leg Assembly	1070100
29	Offside Leg Weldment	1070101
30	Mainside Leg Assembly	1070102
31	Mainside Leg Weldment	1070103
32	Carriage Assembly	1070500
33	Carriage Weld	1070501
34	Left Arm Assembly	1070669
35	Right Arm Assembly	1070670
36	Sheave Pin	0970802
37	Cylinder Bushing	0970804
38	Cable End Bracket	N619
39	Cylinder Mount/Upright Assembly	1070800
40	Cylinder Mount/Upright Weldment	1070801
41	Small Parts Bag	1070907
42	Cable Sheave	1070900
43	Single Phase Overhead Switch	0970902
44	Literture Bag	994255
45	Hydraulic Bag	NDP10-D1

46	Double Stack Bracket/Shim	BZDP10-1010
47	1/4 Return Line	994212
48	Parts Box	994247
49	Cable and Lock Nut	
	5/8-11 Nylon Insert Locknut	913303
	dia.16mm washer	913206
	dia.18mm washer	
	Cable	1070911
50	1-3/8 Snap Ring	991030
51	1/4 Roll Pin x1-1/2Lg	991060
52	M10x1.5x20Lg.HHCS	41536
53	M10x1.5 Esrrated Flanged Locknut	41655
54	24" Wire Tie	991082
55	Shim	991127
56	Swivel Pad Rubber Insert	991234
57	1/4-20x1-1/4 Elev.Bolt	991243
58	Switch Bar Spacer	991480
59	Overhead Switch Bar,Single Phase	991481
60	3/8NCx1/2Lg.Self-tapping screw	991487
61	1/4-20 Flange Hex Lock Nut	991490
62	Rubber Grommet	991491
63	NA	NA
64	3/4 Klip Ring	991504
65	Single Phase Power Unit	P3397
	Single Phase Power Unit 50Hz	P3398
	Three Phase Power Unit	P3414
66	Mainside Hose	992156
67	Power Unit Hose	992101
68	Offside Hose	NDP10-9801-1
69	Cylinder	992317
	Cylinder Extended Rise	992327
70	3/8 JIC to 3/8 NPT Elbow	992402
71	3/8" Bushing to 1/4" NPT Bushing	992500
	Mainside Return Line Tee	
	Standard Height Models	
	Offside Return Line Fitting	
	Standard Height Models	
72	9/16 O-Ring to 3/8 JIC Elbow	992410
73	3/8 JIC Tee	992502
74	Swivel Pad Insert Kit	994105
75	2-Post Pressure Fitting Kit	994216
76	Stack Swivel Pad Weldment Kit	994256
77	Pad Extension Kit	994257
78	Arm Restraint Gear Kit	994258
79	Rub Block	995120

80	Arm Pin	995430
81	6" Pad Extension	995550
82	3" Pad Extension	995560
83	1-1/2" Pad Extension	996220
84	Symmetric Arm Assembly	1080601
85	NA	NA
86	NA	NA
87	NA	NA
88	Rear Arm Slider,Long	1070629
89	Front Arm Slider,short \	PRO90130
90	Control Box	
	3 Phase Control Box 208/230V	FA7146-1
	3 Phase Control Box 480V	FA7146-3
91	NA	NA
92	Mainside Latch Cover	PV-1001
93	Offside Latch Cover	PV-1002
94	Handle Ball	B84-35
95	Latch Handle	PV-1007
96	Adapter Bracket	NDP10-1010
97	Adapter Bracket Kit	NDP10-D3
98	dia. 20mm Circlip	B60-20
99	dia. 20mm Washer	B41-20
100	Latch Pin	PV-1006
101	Sprig	PV-1040
102	Sprig	PV-1009
103	Spacer	PV-1015
104	Latch Block	PV-1005
105	M6×40mm Spring Pin	B51-6×40
106	Control Plate	PV-1003
107	Hex Bolt	PV-1008
108	M6×16mm Bolt	B20-6×16
109	M10 Nut	B30-10
110	M6×10mm Bolt	B231-6×10
111	Sheave	PV-1013
112	dia. 20mm Circlip	B60-10
113	Sprig	PV-1009DC
114	Control Plate	PV-1004
115	M6×16mm Bolt	B21-6×16
116	1/4-20×1 HHCS	40108

PANZITTA SALES & SERVICE
72 George Avenue
Wilkes-Barre, PA 18705
570-822-6720 800-822-6720
www.panzittasales.com