



MTP-8.5F Installation & Operation Manual

8,500 Lbs. Capacity Two-Post Lift | EAG-TIA-MTP-8.5F

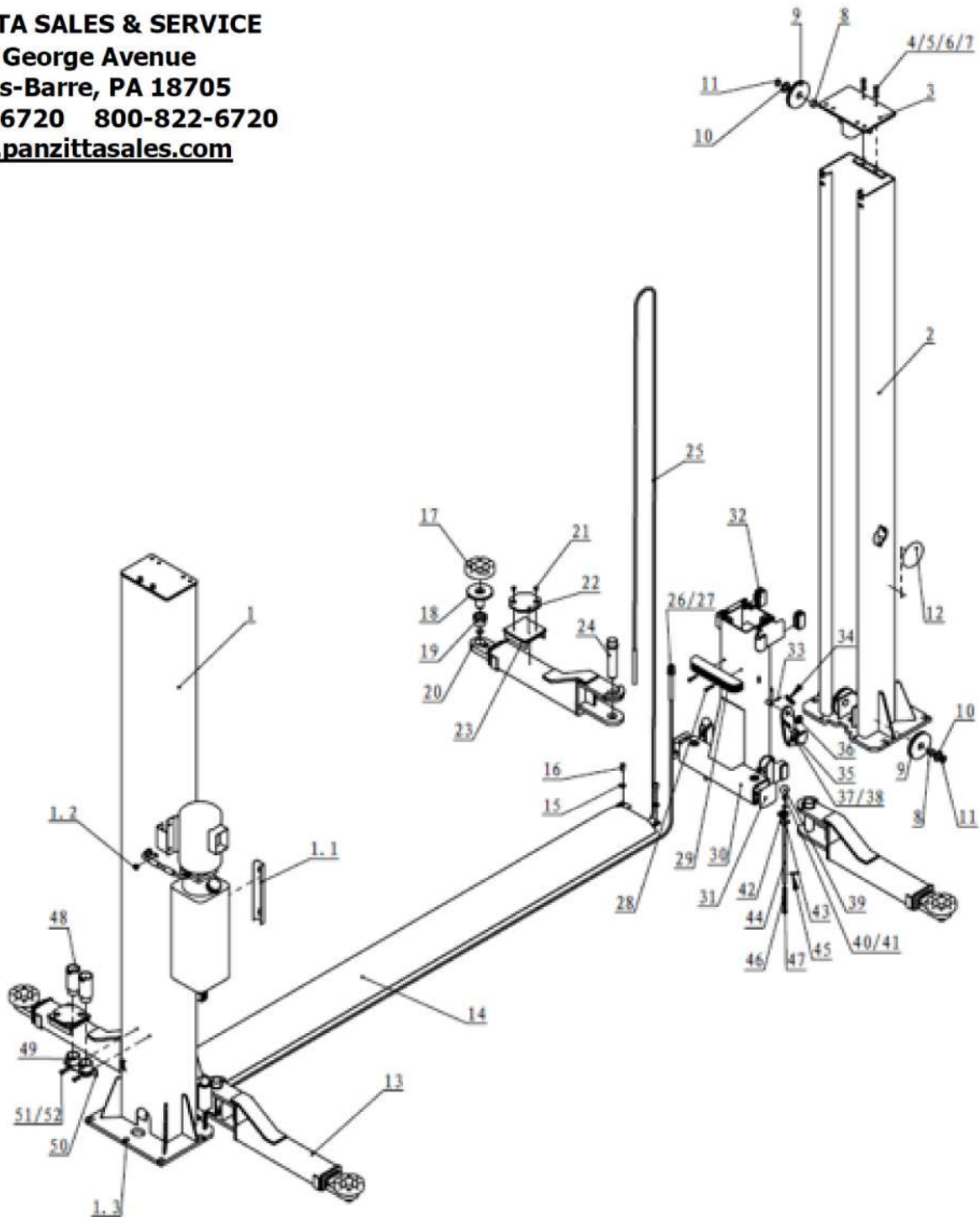


PANZITTA SALES & SERVICE
72 George Avenue
Wilkes-Barre, PA 18705
570-822-6720 800-822-6720
www.panzittasales.com

**READ THIS MANUAL BEFORE INSTALLING OR OPERATING THE LIFT.
INSPECT THE LIFT UPON DELIVERY. NOTE ANY DAMAGE ON DELIVERY RECEIPT.**

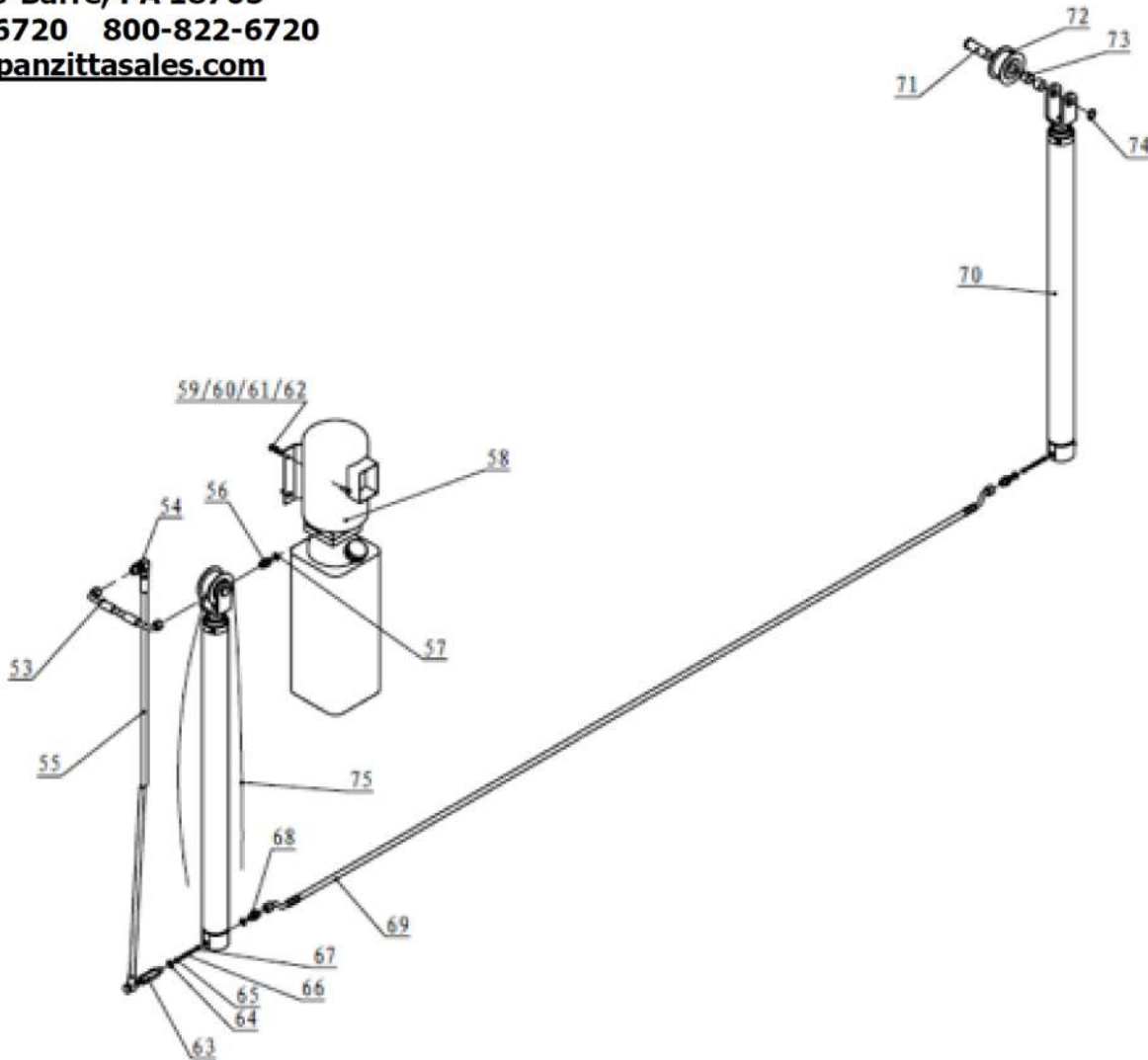
EXPLOSIVE VIEW

PANZITTA SALES & SERVICE
72 George Avenue
Wilkes-Barre, PA 18705
570-822-6720 800-822-6720
www.panzittasales.com



EXPLOSIVE VIEW

PANZITTA SALES & SERVICE
72 George Avenue
Wilkes-Barre, PA 18705
570-822-6720 800-822-6720
www.panzittasales.com



MTP-8.5F PARTS LIST

Item	Parts No.	Name	Qty	Remark
1	TT-6934-100-00AKY	Main Column	1	Weldment
1.1	TT-6835-100-02NEW	Hose Cover	2	Q235-A
1.2	TT-6835-100-03	Wire Retainer	1	Rubber
1.3		Anchoring Bolt	10	19 American
2	TT-6934-100-00BKY	Sub Column	1	Weldment
3	TT-6934-100-13-00	Up Board Welding	1	Weldment
4	GB5781-86 M10x35	Hexagon Head Bolt	4	
5	GB97.2-85 D10	Gasket	4	
6	GB93-87 D10	Gasket	4	
7	GB6170-2000 M10	Hex Nut	4	
8	SF-1 2515	Composite Bushing	6	2515
9	TPF4-100-10-05	Pulley	6	45
10	XG4.5A01-04	Spacer	6	Q235-A
11	GB894.1-86 D25	C-Clip For Shaft	6	
12	TPF4-100-12 REV.	Observation Hole Cover	2	PVC 0.007 Plasticizing
13	TT-6934-400-05-00MDKY	Symmetric Arm	4	Weldment Assembly
14	TPF4-600-00G	Baseplate	1	Weldment
15	GB97.2-2000 D12	Flat Washer	4	
16	GB70-85 M12X20	Hexagon Socket Head Cap Screw	4	
17	TT-6934-046405772	Rubber Pad	4	
18	TT-6934-048417190LKY	Salver	4	Weldment
19	TT-6934-048417160KY	Thread Sleeve	4	20
20	GB_CONNECTING_PIECE_RINGS_ RSR5 28	Shaft Wire Retaining Ring	4	
21	GB819 M8X12	Cross Slotted Head Screw	4	
22	TPF4-400-01A	Rubber Pad	2	
23	TPF4-400-04-00	Salver Jointing	2	Weldment

PANZITTA SALES & SERVICE

72 George Avenue

Wilkes-Barre, PA 18705

4810 Clover Road • Greens

agleequip.com • page 29

570-822-6720 800-822-6720

www.panzittasales.com

MTP-8.5F PARTS LIST

Item	Parts No.	Name	Qty	Remark
24	TPF4-400-06-00	Pin Welding	4	Weldment
25	XG-3.8B-ST	Steel Cable	2	L=8700
26	GB95-85 D16	Flat Washer	4	
27	GB6170-2000 M16	Hex Nut	8	
28	GB70.1-2000 M8X35	Hexagon Socket Cap Screw	4	
29	DL38G-C116A	Protection Bar	2	Rubber
30	TT-6934-200-01-00KY	Carriage Welding	2	Weldment
31	TT-6934-200-02	Cover	4	ABS Plastic
32	DL38G-C109A	Sliding Block	16	HMWPE
33	GB91-86 2.5x32	Cotter Pin	2	
34	TPF4-300-02	Pull Spring	2	65Mn
35	TPF4-300-00	Brake Weldment	2	Weldment
36	GB97.2-85 D20	Gasket	2	
37	GB818-200 M6X30	Cross Recess Pan Head Screw	2	
38	TPF4-300-09	Spring	2	
39	QIUBIN-M10X35	Bakelite Ball	4	
40	GB93-87 D10	Gasket	4	
41	GB6170-2000 M10	Hex Nut	4	
42	TPF4A-200-11-04 REV.	Rack Plate	4	
43	TPF4-200-11-05	Baffle Plate	4	Q235-A
44	TPF4A-200-11-01	Rack Shaft	4	Q235-A
45	GB_CONNECTING_PIECE	Spacer	6	Q235-A
	_PIN_AP 2.5X32	Cotter Pin	4	
46	QYS-200-17	Spring	4	65Mn
47	GB97.2-85 D10	Gasket	8	
48	TT-6934-400-09-00KY	Long Adapter	4	Weldment
49	TT-6934-400-10-00KY	Short Adapter	4	Weldment
50	TT-6934-100-14KY	Height Adapter Shelf	2	Q235
51	GB95-1985 D8	Flat Washer	4	

PANZITTA SALES & SERVICE

72 George Avenue

Wilkes-Barre, PA 18705

570-822-6720 800-822-6720

www.panzittasales.com

MTP-8.5F PARTS LIST

Item	Parts No.	Name	Qty	Remark
52	GB818-85 M8X10	Cross Recess Pan Head Screw	4	
53	TT-6134-500-02	Pump Hose	1	Q235
54	TT-6934-500-03	Right Angle Connector	1	45
55	TT-6835-500-01	Cylinder Hose	1	Component
56	TT-6934-500-04KY	Pump Connector	1	45
57		O Ring	1	D14
58	YYZ	Hydraulic Pump	1	
59	GB5781-2000 M8X25	Hexagon Head Bolt	4	
60	GB95-1985 D8	Flat Washer	4	
61	GB93-87 D8	Spring Washer	4	
62	GB6170-2000 M8	Hex Nut	4	
63	TT-6934-500-02	3.8B Long Connector	1	45
64		Composite Gasket	5	Q235
65	TT-6934-500-06	Throttle Valve	2	40Cr
66	TT-6934-500-07	Throttle Valve Cover	2	40Cr
67	TT-6934-500-08	Throttle Valve Spring	2	65Mn
68	TT-6934-500-04	3.8 Hose Connector 1	2	45
69	TT-6934-500-01	Baseplate Hose	1	L=2820 Component
70	TPF4 NEW CYLINDER	New Cylinder	2	Weldment Assembly
71	TPF4-100-14-02	Shaft	2	
72	TPF4-100-14-01	Chain Wheel	2	
73	SF-1 2520	Composite Bushing	4	
74	GB894.1-2000 D25	C-Clip For Shaft	2	
75	LH1244 - CHAIN	Leaf Chain	2	121 sections

PANZITTA SALES & SERVICE

72 George Avenue

Wilkes-Barre, PA 18705

570-822-6720 800-822-6720

www.panzittasales.com