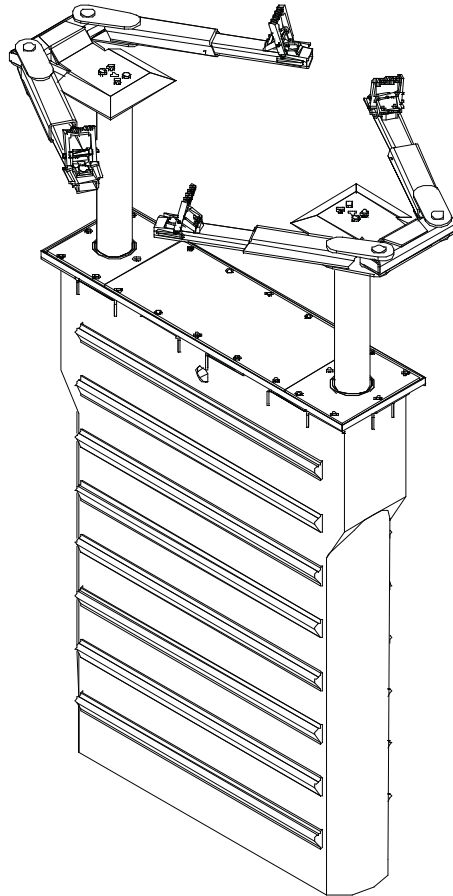


Models CS0920, CS1220, CS1520  
Installation, Operation and Maintenance

**PANZITTA SALES & SERVICE**  
72 George Avenue  
Wilkes-Barre, PA 18705  
570-822-6720 800-822-6720  
[www.panzittasales.com](http://www.panzittasales.com)

## Parts Break Down

### Model CS0920, CS1220, CS1520



### **IMPORTANT**

Replace all worn or broken parts with **genuine Challenger Lifts, Inc. parts**. Contact your local Challenger Lifts parts distributor for pricing and availability.

**PANZITTA SALES & SERVICE**

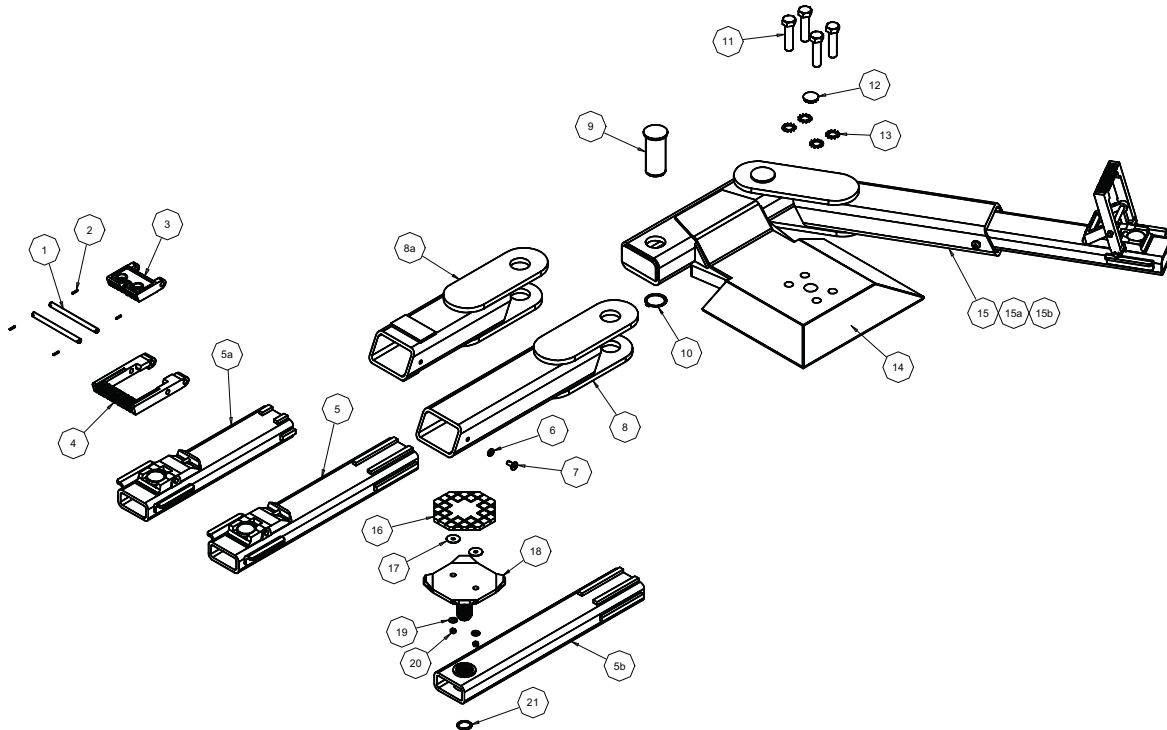
72 George Avenue

Wilkes-Barre, PA 18705

570-822-6720 800-822-6720 Installation, Operation and Maintenance

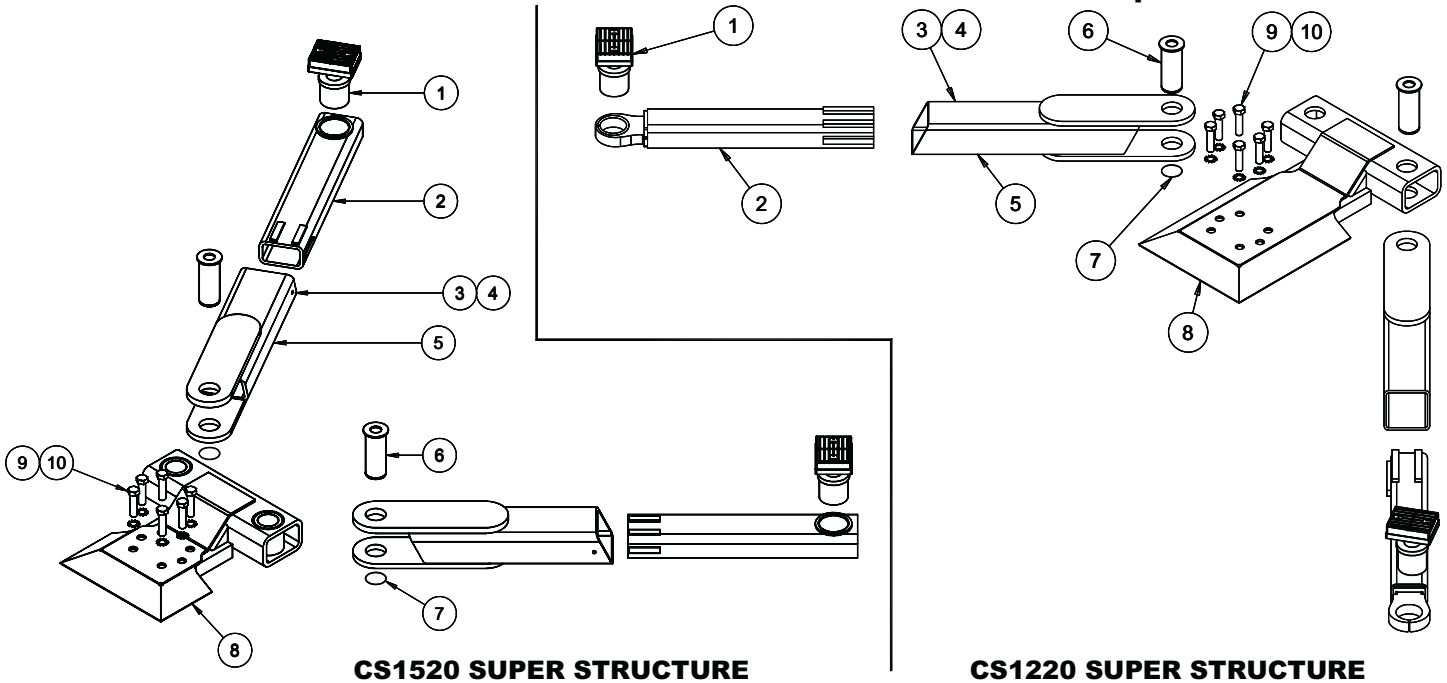
www.panzittasales.com

**Models CS0920, CS1220, CS1520**



**CS0920 Super Structure**

Item	Part	Qty. / Lift	Description
1	VS199777	8	Adapter Pin
2	VS19326	16	1/8 x 5/8 Roll Pin
3	VM2138	4	Low Pad
4	VM2139	4	High Pad
5	16123	2/4	Male Arm Weld-Std.
5a	16123E	2/4	Male Arm Weld-European
5b	16236	4	Male Arm Weld-Rubber Pad
6	31037	4	3/8 Split Lock Washer
7	31305	4	3/8 Self Tapping Bolt
8	16122	2/4	Female Arm Weld-Std.
8a	16122E	2/4	Female Arm Weld-European
9	16124	4	Arm Pin
10	16125	4	1-7/8 Snap Ring
11	16161	8	3/4-10 x 3 Hex Head Cap Screw
12	16160	2	1-1/4" Finishing Plug
13	16162	8	3/4" Ext. Tooth Lock Washer
14	16396	2	Bolster
15	16104	2/4	Arm Assembly-Std.
15a	16104E	2/4	Arm Assembly-European
15b	16235	4	Arm Assembly-Rubber Pad
16	31057	4	Rubber Insert
17	31114	8	1/4" Fender Washer
18	31133	4	Foot Pad
19	31115	8	1/4" Flat Washer
20	31061	8	1/4" Keps Nut
21	39111	4	Retaining Ring



**CS1520 SUPER STRUCTURE**

**CS1220 SUPER STRUCTURE**

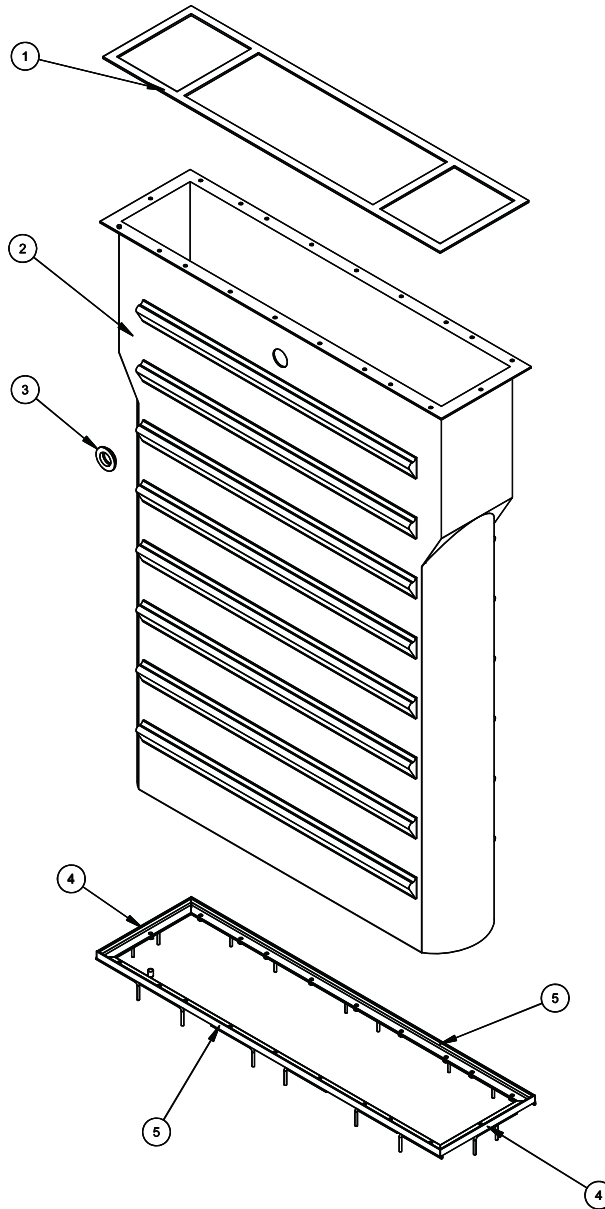
**CS1520 Super Structure**

Item	Part	Qty / Lift	Description
1	12062	4	Screw Pad Assembly
2	16458	4	15K Male Arm Weld
3	31305	4	3/8 Self Tapping Bolt
4	31037	4	3/8 Split Lock Washer
5	16461	4	15K Female Arm Weld
6	16464	4	2 1/4" dia Arm Pin
7	16489	4	2 1/4" External Snap Ring
8	16440	2	15K Bolster (Machined)
9	16473	12	7/8-9 x 3 1/2" lg Hex Head Cap Screw
10	16154	12	7/8 External Tooth Lockwasher

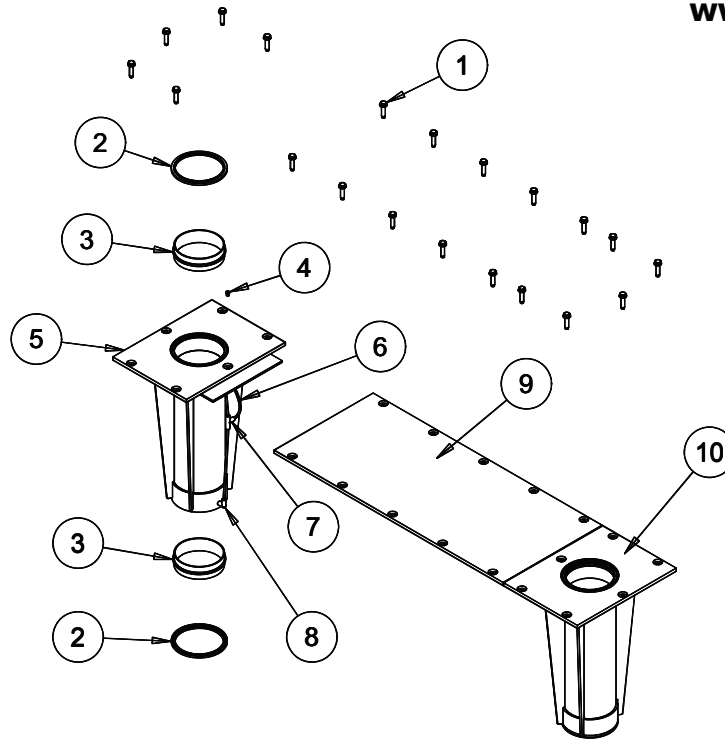
**CS1220 Super Structure**

Item	Part	Qty / Lift	Description
1	12563	4	Screw Pad Assembly
2	16455	4	12K Male Arm Weld
3	31305	4	3/8 Self Tapping Bolt
4	31037	4	3/8 Split Lock Washer
5	16452	4	12K Female Arm Weld
6	16464	4	2 1/4" dia Arm Pin
7	16489	4	2 1/4" External Snap Ring
8	16448	2	12K Bolster (Machined)
9	16473	12	7/8-9 x 3 1/2" lg Hex Head Cap Screw
10	16154	12	7/8 External Tooth Lockwasher

## Containment



Item	Part	Qty./Lift	Description
1	16108	19 ft.	5/16 x 1 Adhesive gasket
2	16380	1	Containment Tub
3	15009	1	2" PVC Grommet
4	16407	2	Concrete Tie Weld-Short
5	16111	2	Concrete Tie Weld-Long

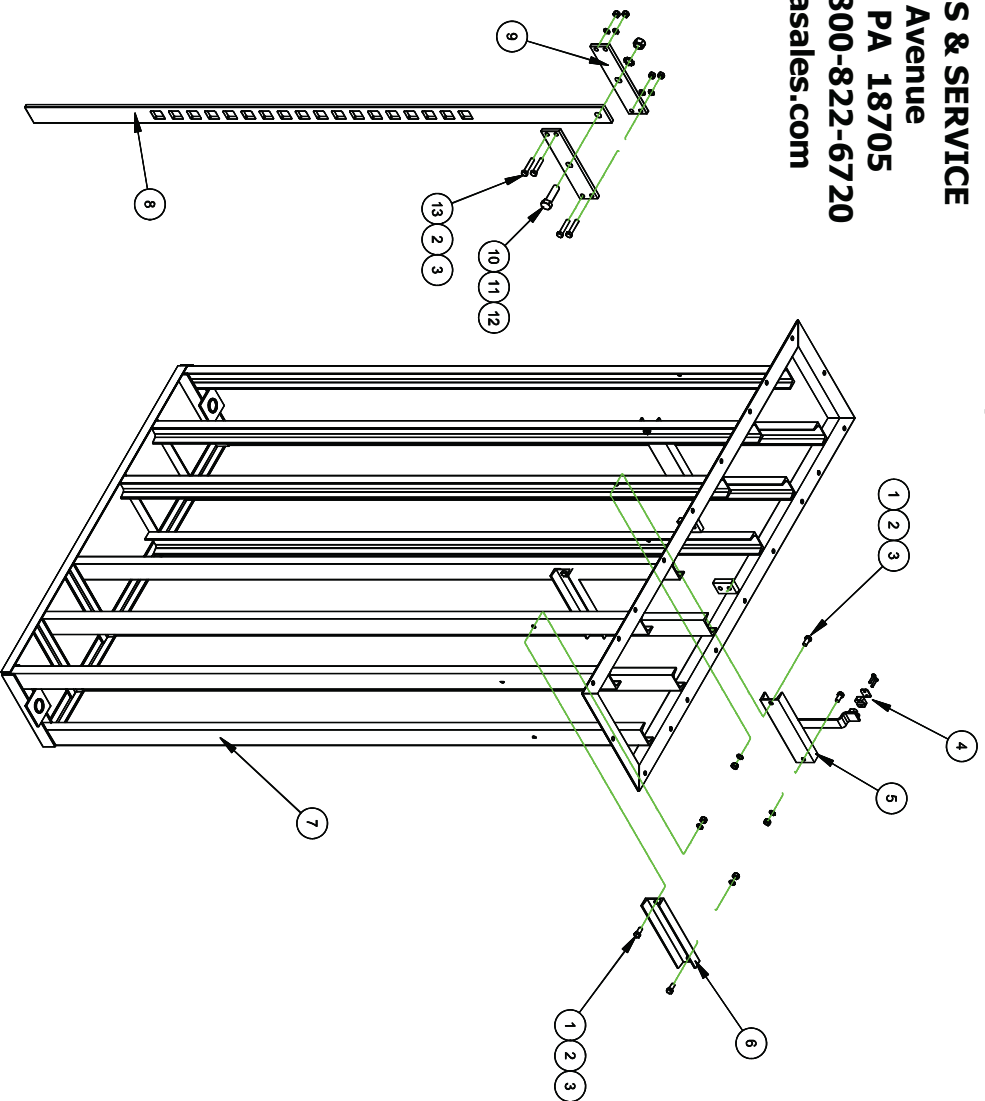


### Bearings

Item	Part	Qty / Lift	Description
1	16116	22	1/2-13 x 2"lg Self Tapping Bolt
2	16127	4	Wiper for CS0920
	16485	4	Wiper for CS1520/CS1220
3	16128	4	Bearing Ring for CS0920
	16486	4	Bearing Ring for CS1520/CS1220
4	16130	2	1/8 NPT Grease Fitting
5	16388	2	Bearing Weld for CS0920
	16434	2	Bearing Weld for CS1520/CS1220
6	16132	6	1/4" x 12" lg Grease Line
7	16131	2	1/4" Push Lock Union Tee
8	16129	4	1/8 NPT x 1/4" Push Lock Elbow
9	16399	1	Cover Plate for CS0920
	16429	1	Cover Plate for CS1520/CS1220
10	16379	2	Bearing Assembly for CS0920
	16484	2	Bearing Assembly for CS1520/CS1220

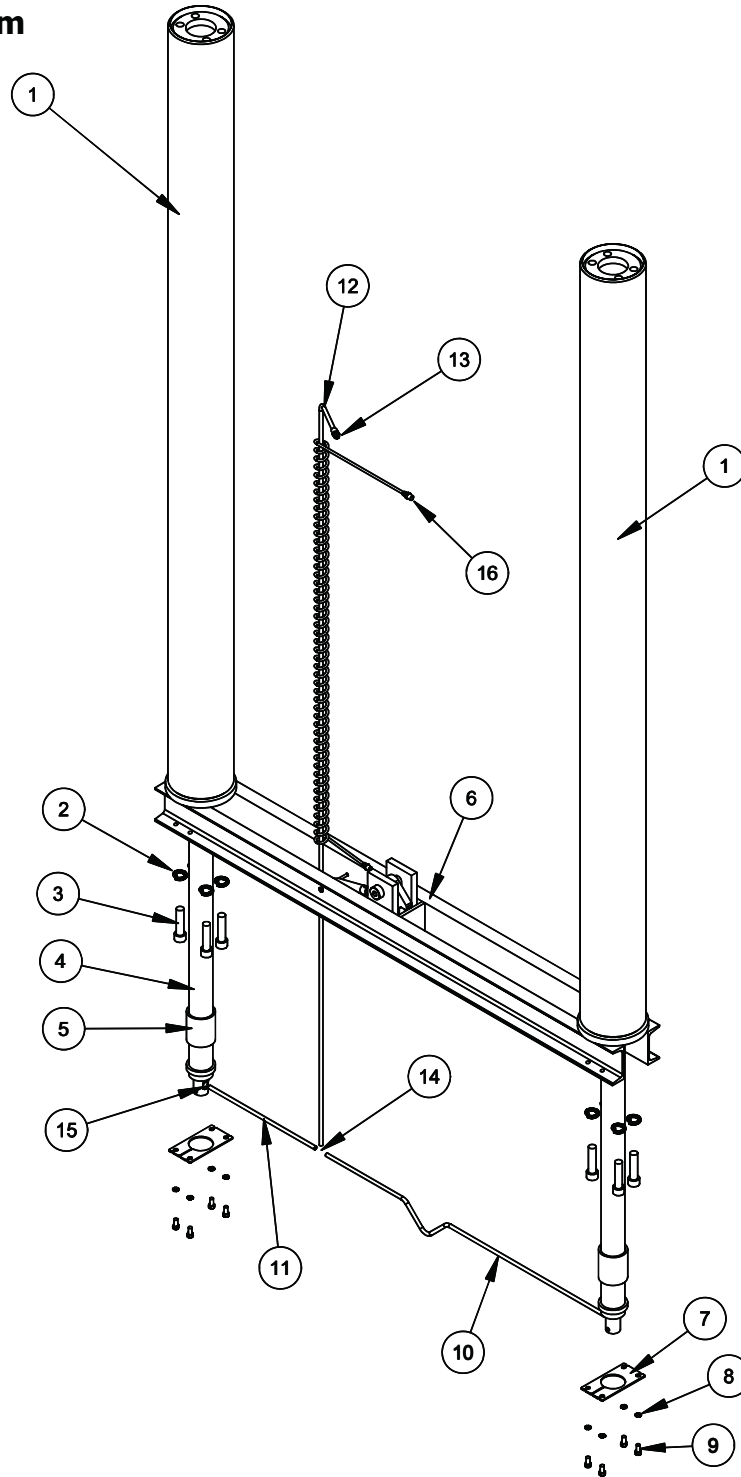
**Models CS0920, CS1220, CS1520**  
**Installation, Operation and Maintenance**

**PANZITTA SALES & SERVICE**  
**72 George Avenue**  
**Wilkes-Barre, PA 18705**  
**570-822-6720 800-822-6720**  
**www.panzittasales.com**



**Frame**

Item	Part	Qty./Lift	Description
1	16157	8	1/2"-13 x 1 Frame Support Bolt
2	16158	12	1/2" External Tooth Lock washer
3	16159	12	1/2"-13 Hex Nut
4	15010	1	Hydraulic Line Clamp
5	16411	1	Frame Support Weld
6	16410	3	Frame Support
7	16400	1	Frame Weld
8	16151	1	Lock Ladder Weld for CS0920
	16413	1	Lock Ladder for CS1220/1520
9	16412	2	Ladder Rail
10	16153	1	7/8-9 x 3 Lock Ladder Bolt
11	16154	1	7/8" External Tooth Lock washer
12	16155	1	7/8-9 Hex Nut
13	16470	4	1/2"-13 x 1 3/4 Ladder Rail Bolt



### Plunger/Rail Assembly

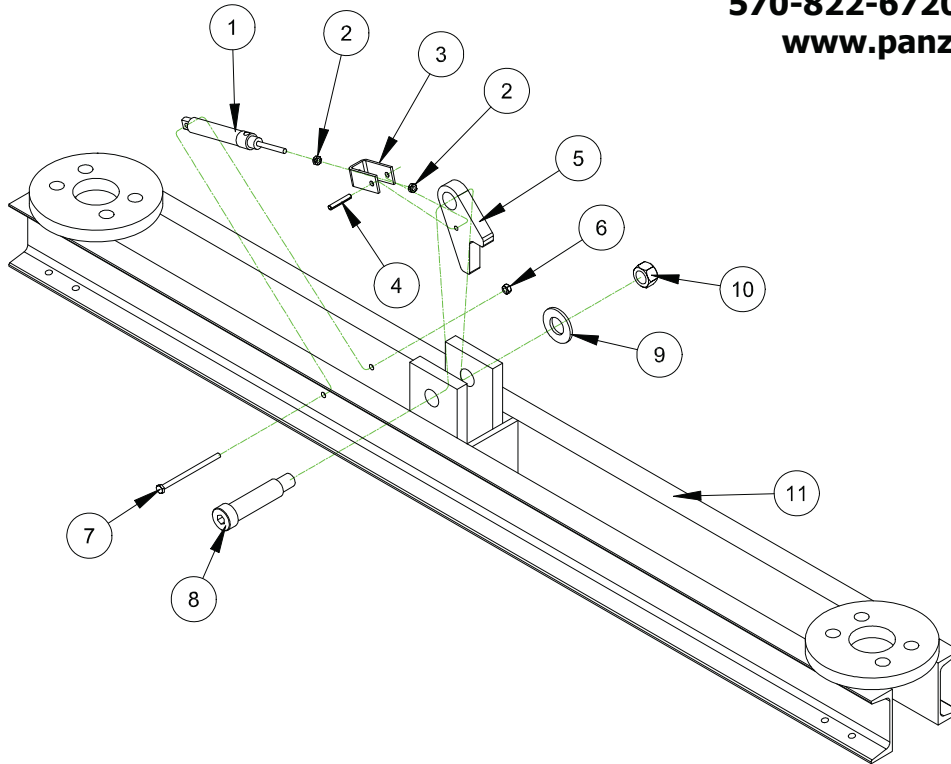
## Plunger/Rail Assembly

Item	Part	Qty./Lift	Description
1	16137	2	Plunger (CS0920)
	16480	2	Plunger (CS1520/CS1220)
2	09129	8	3/4" Split Lock washer (CS0920)
	16154	8	7/8" Lock washer (CS1220/CS1520)
3	VS25259	8	3/4-10 x 3 Socket Head Cap Screw (CS0920)
	16473	8	7/8-9 x 3 1/2"lg Hex Head Cap Screw (CS1220/CS1520)
4	16138	2	2 x 68 Hydraulic Cylinder (CS0920/CS1220)
	15075	2	2 x 68 Hydraulic Cylinder (CS1520)
5	16139	2	Cylinder Sleeve (CS0920)
	16425	2	Cylinder Sleeve (CS1220)
6	16376	1	Synch. Rail Assembly (CS0920)
	16483	1	Synch. Rail Assembly (CS1220/CS1520)
7	16141	2	Cylinder Capture Plate (CS0920)
	16428	2	Cylinder Capture Plate (CS1220)
	16422	2	Cylinder Capture Plate (CS1520)
8	16142	8	3/8" External Tooth Lock washer
9	16143	8	3/8-16 x 3/4 Hex Head Capscrew
10	16397	1	Cylinder Line - Long
11	16398	1	Cylinder Line - Short
12	16146	1	Hydraulic Feed Line
13	15011	1	Union / Adapter
14	31032	1	Union Tee
15	31116	2	9/16 SAE Connector
16	16147	1	Coiled Air Line



**Models CS0920, CS1220, CS1520  
Installation, Operation and Maintenance**

**PANZITTA SALES & SERVICE  
72 George Avenue  
Wilkes-Barre, PA 18705  
570-822-6720 800-822-6720  
www.panzittasales.com**



### Synchronizing Rail

Item #	Part #	Qty./Lift	Description
1	40142	1	3/4 x 1 1/2 Reverse Single Acting Air Cylinder
2	40144	2	1/4-28 Hex Jam Nut
3	16214	1	Air Cylinder Clevis
4	16215	1	1/4 x 1 1/2 Roll Pin
5	16213	1	Locking Pawl
6	08097	1	1/4-20 Nylon Locknut
7	16192	1	1/4-20 x 4 1/4 Hex Head Cap screw
8	16190	1	1 x 3 1/2 Shoulder Bolt
9	31183	1	1" Flat Washer
10	31068	1	3/4-10 Nylon Locknut
11	16390	1	Synchronizing Rail Weld (CS0920)
	16414	1	Synchronizing Rail Weld (CS1220/CS1520)