

CHALLENGER MODEL 50006 —

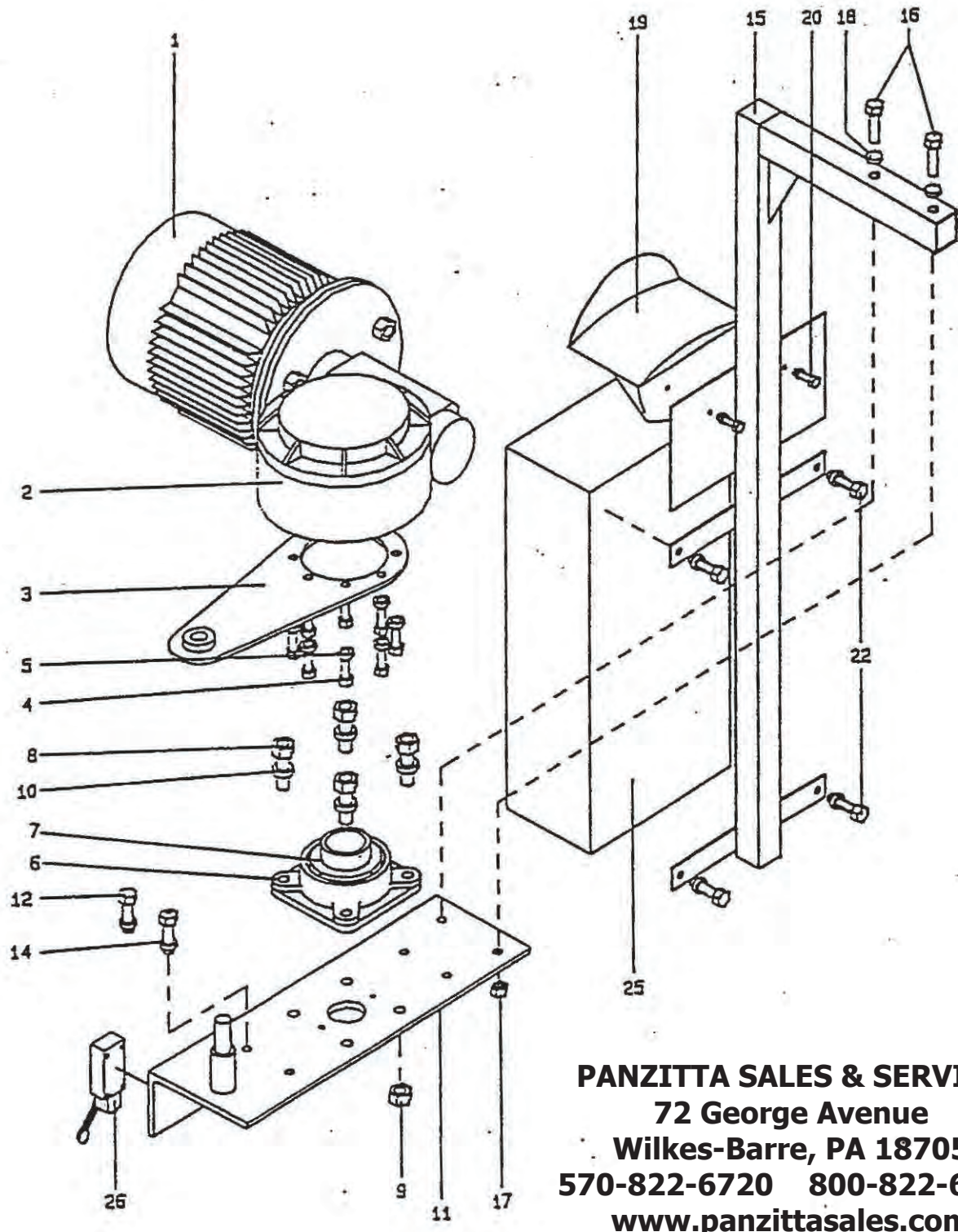
Mobile Vehicle Lift

PARTS MANUAL

IMPORTANT

Read this manual before operating the lift.

PANZITTA SALES & SERVICE
72 George Avenue
Wilkes-Barre, PA 18705
570-822-6720 800-822-6720
www.panzittasales.com



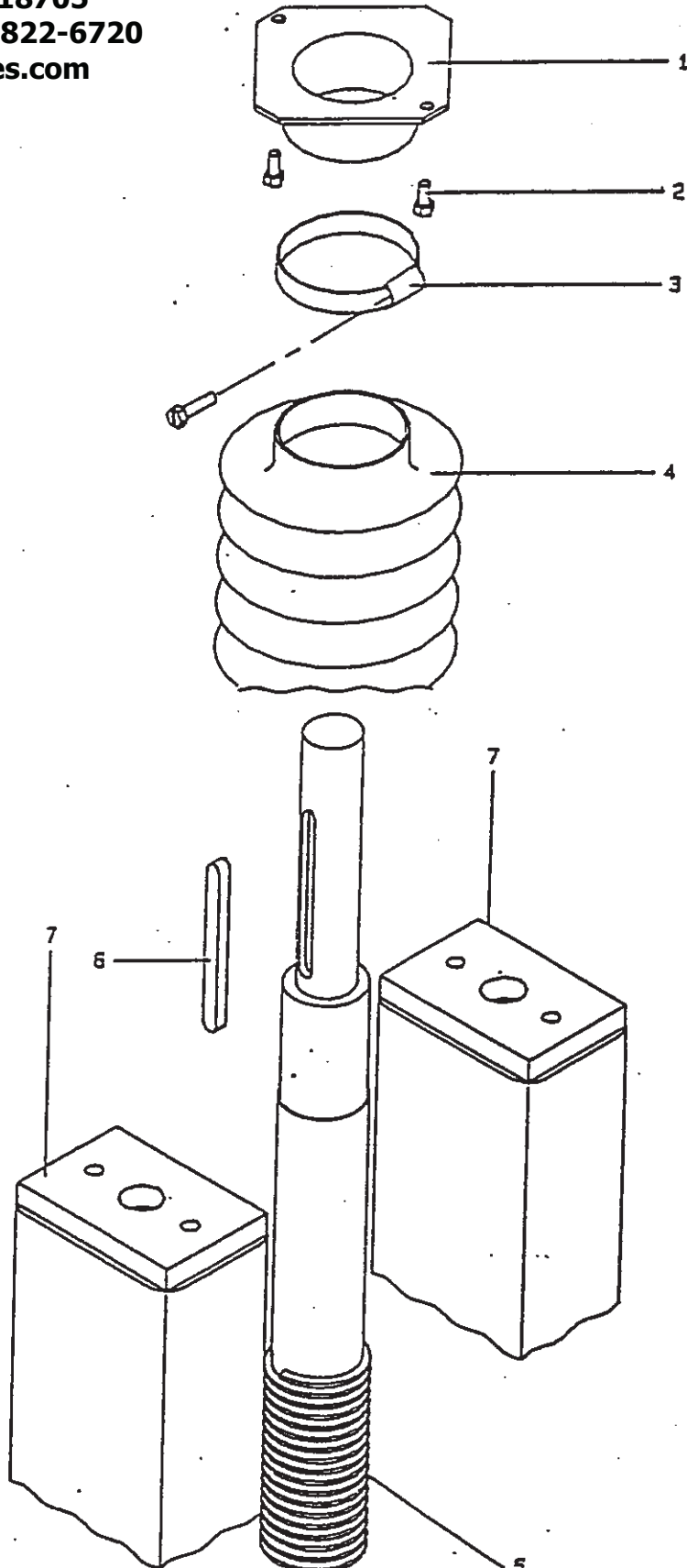
PANZITTA SALES & SERVICE
 72 George Avenue
 Wilkes-Barre, PA 18705
 570-822-6720 800-822-6720
 www.panzittasales.com

Parts Breakdown Figure 1

CHALLENGER MOBILE LIFTS

Figure 1 Index	Part No	Description	No P Assj
1-1	825-921	Motor 3.0Kw	1
-2	825-829	Gearbox	1
-3	826-089	Torque arm	1
-4		-Screw ms Hex Hd M10x25	8
-5		-Washer	8
-6		Bearing Flange	1
-7	825-612	Bearing top cw housing	1
-8		Bolt ms Hex Hd M16x45	4
-9		-Nut M16	4
-10		-Washer spring M16	4
-11	826-090	Beam top	1
-12		-Bolt ms Hex Hd M12x30	2
-13		-Nut M12	2
-14		-Washer spring M12	2
-15	825-946	Support control panel	1
-16		-Bolt ms Hx Hd M12x65	2
-17		-Nut M12	2
-18		Washer spring M12	2
-19	284-022	Hanger Cable	1
-20		-Bolt ms Hx Hd M4x16	3
-21		-Nut M4	3
-22		Bolt panel ms Hx Hd M8x20	4
-23		-Nut M8	4
-24		-Washer spring M8	4
-25		Panel Control-See page 5	
-26	826-034	Limit switch top	1
-27			
-28			

PANZITTA SALES & SERVICE
72 George Avenue
Wilkes-Barre, PA 18705
570-822-6720 800-822-6720
www.panzittasales.com

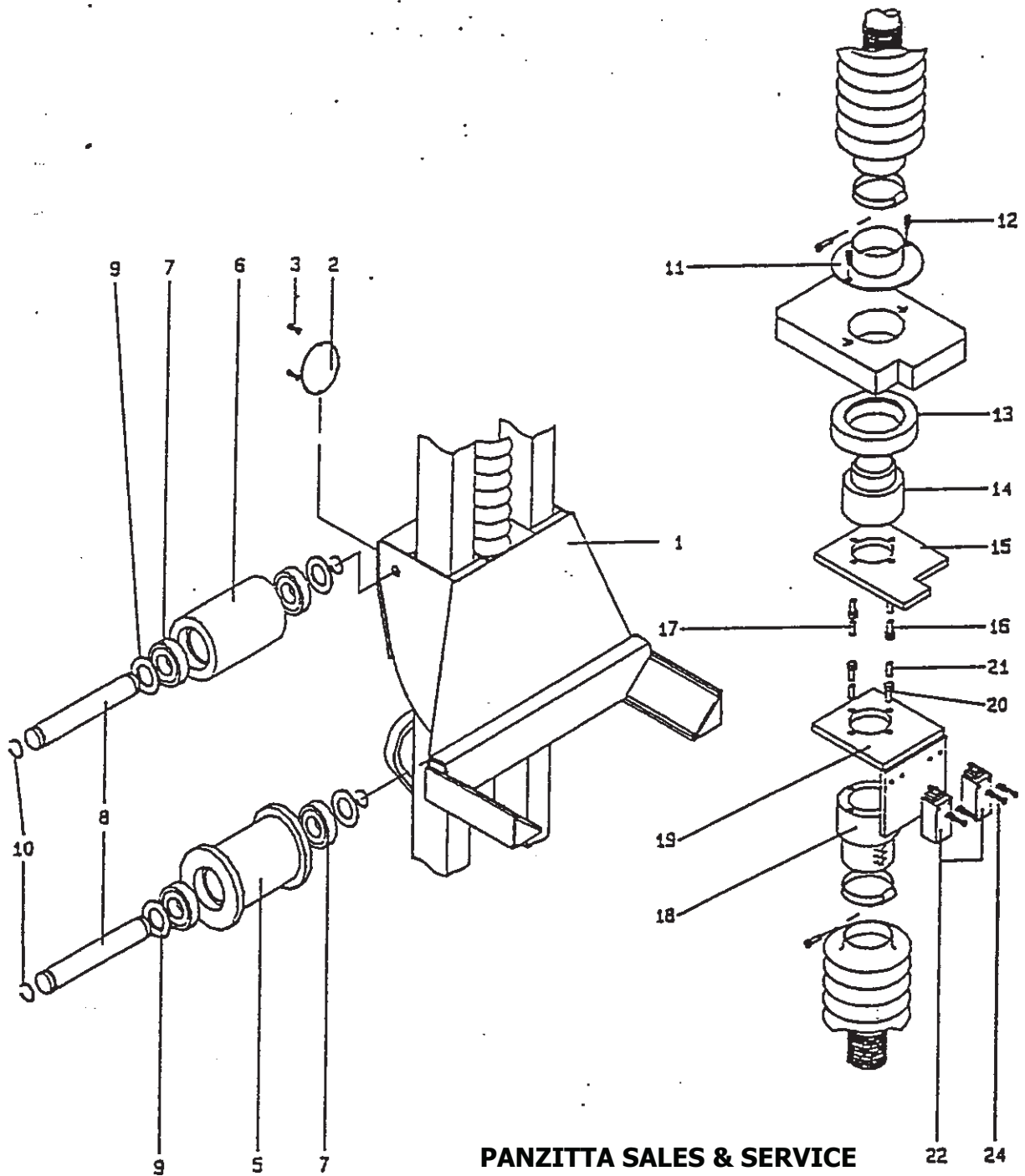


Parts Breakdown Figure 2

CHALLENGER MOBILE LIFTS

Figure 2 Index	Part No	Description	No Pe Assy
2-1	825-938	<i>Flange bellows seating</i>	1
-2		<i>-Screw ms Hx Hd M6x12</i>	2
-3	825-850	<i>Clip bellows 75 mm</i>	4
-4	825-502	<i>Bellows protective</i>	2
-5	826-037	<i>Screwed shaft</i>	1
-6	826-091	<i>Key shaft</i>	1
-7	826-100	<i>Mast & base fabrication</i>	1
-8			
-9			
-10			
-11			
-12			
-13			
-14			
-15			
-16			
-17			
-18			
-19			
-20			
-21			
-22			
-23			
-24			
-25			
-26			
-27			
-28			

PANZITTA SALES & SERVICE
 72 George Avenue
 Wilkes-Barre, PA 18705
 570-822-6720 800-822-6720
www.panzittasales.com



PANZITTA SALES & SERVICE
 72 George Avenue
 Wilkes-Barre, PA 18705
 570-822-6720 800-822-6720
 www.panzittasales.com

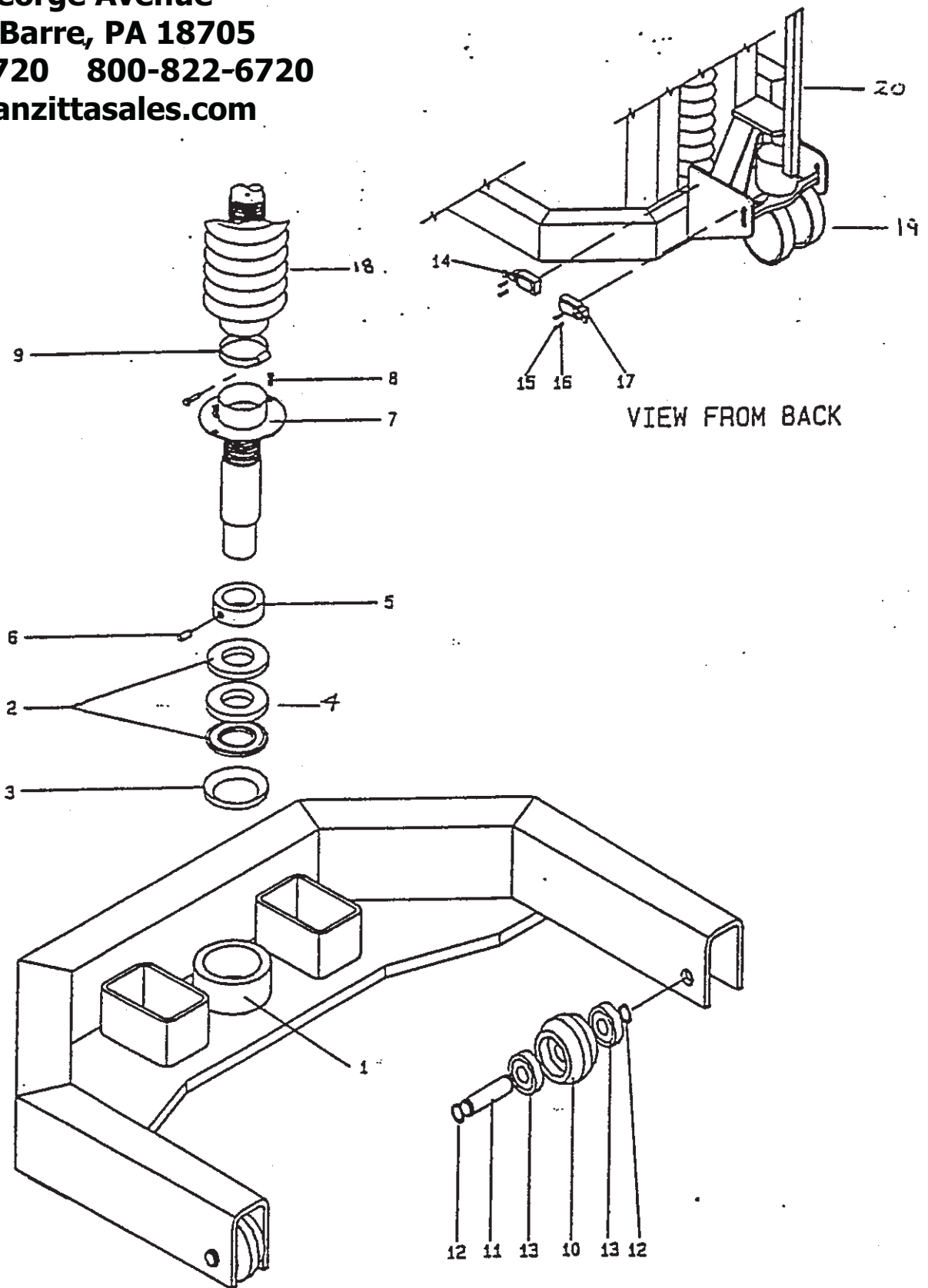
Parts Breakdown Figure 3

CHALLENGER MOBILE LIFTS

Figure 3 Index	Part No	Description	No 1 Ass
3-1	826-092	Carriage	1
-2	826-101	Cover plate	1
-3		Screw ms Hx Hd M8x20mm	2
-4		-Washer Spring	2
-5	826-051	Roller flange	2
-6	826-052	Roller	2
-7	826-059	-Bearing	8
-8	826-053	-Shaft roller	4
-9		-Washer oilite	8
-10	826-061	-Circlip	8
-11	825-948	Flange seating bellows	1
-12		-Screw ms Hx Hd M6x12mm	2
-13	825-948	Flange seating load nut	1
-14	826-035	Load nut phosphor bronze	1
-15	826-093	-Torque arm load nut	1
-16		-Screw ms skt Hd M8x16mm	2
-17		Pin roll M8x26	2
-18	826-046	Safety nut	1
-19	826-094	-Torque arm safety nut	1
-20		-Screw ms skt Hd M8x16mm	2
-21		-Pin roll Mx26mm	2
-22	825-847	Switch run on & safety	2
-23	826-095	-Packer safety switch	1
-24		-Screw ms skt Hd M60x30mm	4
-25			
-26			
-27			
-28			

PANZITTA SALES & SERVICE
 72 George Avenue
 Wilkes-Barre, PA 18705
 570-822-6720 800-822-6720
www.panzittasales.com

PANZITTA SALES & SERVICE
72 George Avenue
Wilkes-Barre, PA 18705
570-822-6720 800-822-6720
www.panzittasales.com



Parts Breakdown Figure 4

CHALLENGER MOBILE LIFTS

<i>Figure 4 Index</i>	<i>Part No</i>	<i>Description</i>	<i>No I Ass</i>
4-1	826-096	<i>Housing thrust bearing</i>	1
-2	826-046	<i>Bearing thrust</i>	1
-3	826-097	<i>Seating ring</i>	1
-4	826-096	<i>Disc bearing seating</i>	1
-5	826-099	<i>Coller thrust</i>	1
-6		<i>-Screw grub M10x12mm</i>	1
-7	825-948	<i>Flange seating bellows</i>	4
-8		<i>-Screw M6x12mm</i>	8
-9	825-850	<i>Clip hose</i>	4
-10	826-056	<i>Roller tractive</i>	2
-11	826-057	<i>-Shaft roller</i>	2
-12	826-060	<i>-Circlip</i>	4
-13	826-058	<i>Bearing tractive roller</i>	2
-14	826-032	<i>Limit switch bottom</i>	1
-15		<i>-Screw M5x55mm</i>	2
-16		<i>-Washer spring</i>	2
-17	826-032	<i>Jack-down switch</i>	1
-18	825-502	<i>Bottom protective bellows</i>	

PANZITTA SALES & SERVICE
72 George Avenue
Wilkes-Barre, PA 18705
570-822-6720 800-822-6720
www.panzittasales.com