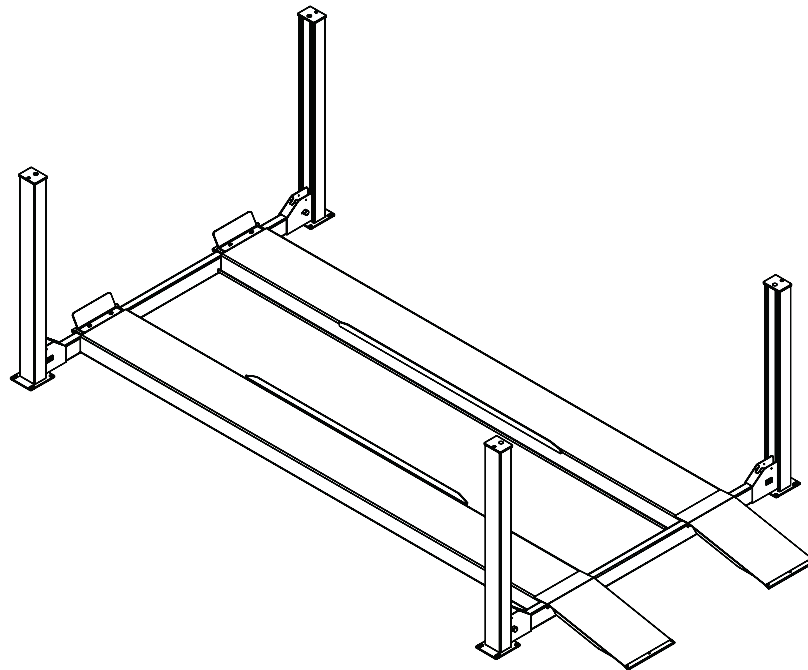


Parts Break Down

Models 40E, 40N & 40S

PANZITTA SALES & SERVICE
72 George Avenue
Wilkes-Barre, PA 18705
570-822-6720 800-822-6720
www.panzittasales.com

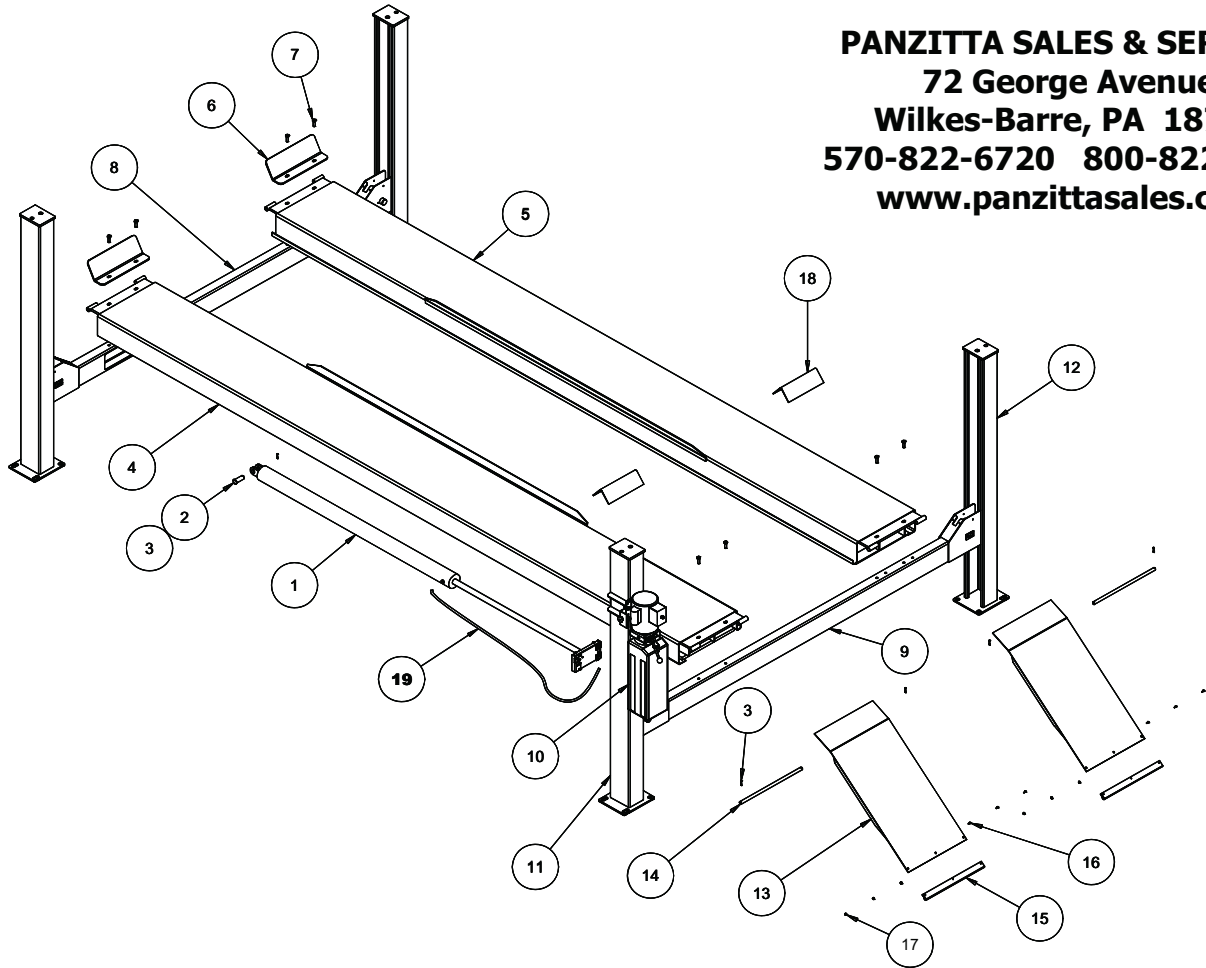


IMPORTANT!!!

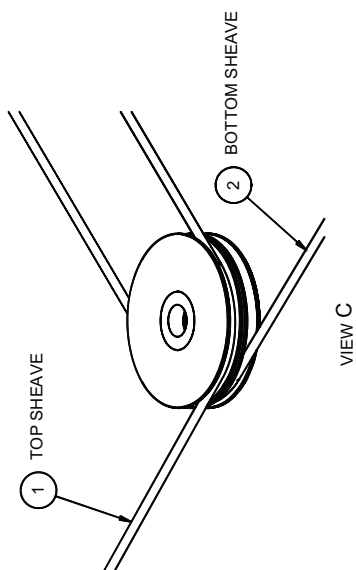
Replace all worn or broken parts with **genuine Challenger Lifts Inc.** parts. Contact your local *Challenger Lifts* parts distributor for pricing and availability.

Models 40E, 40N & 40S
 Installation, Operation and Maintenance

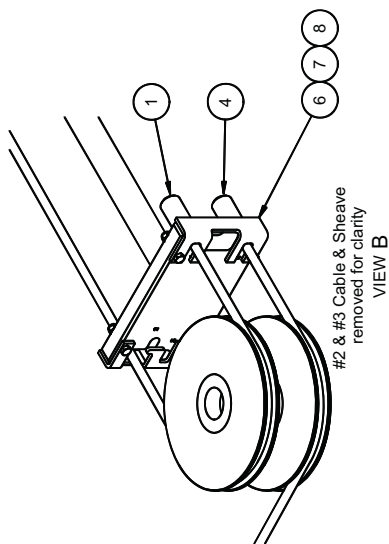
PANZITTA SALES & SERVICE
 72 George Avenue
 Wilkes-Barre, PA 18705
 570-822-6720 800-822-6720
 www.panzittasales.com



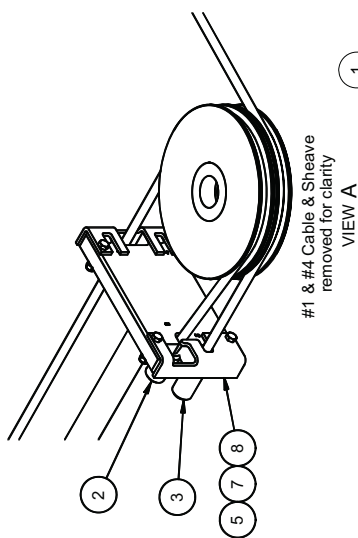
Item	Qty	Part Number	Description
1	1	40080	Hydraulic Cylinder
2	1	40082	Clevis Pin
3	5	40126	Cotter Pin
4	1	40180 (40N & 40S) / 40046 (40E)	Power Runway
5	1	40177 (40N & 40S) / 40020 (40E)	Idler Runway
6	2	40266	Wheel Stop
7	8	40083	1/2-13 H.H.C.S. w/flange
8	1	40099 (40E & 40S0) / 40191 (40N)	Front Cross Beam Assembly
9	1	40100 (40E & 40S) / 40192 (40N)	Rear Cross Beam Assembly
10	1	31368-19	Power Unit 1Ø/208-220v/60hz
11	1	40159	Power Column
12	3	40160	Idler Column
13	2	40161	Entrance Ramp
14	2	40165	Entrance Ramp Hinge Pin
15	2	40168	Ramp slide
16	6	31062	1/4-20 Pan Hd Screw
17	6	40085	1/4-20 Hex Nut w/flange
18	2	40265	Wheel Chock
19	1	40081	Hydraulic Hose Assembly



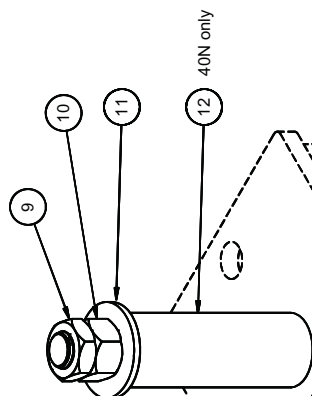
VIEW C



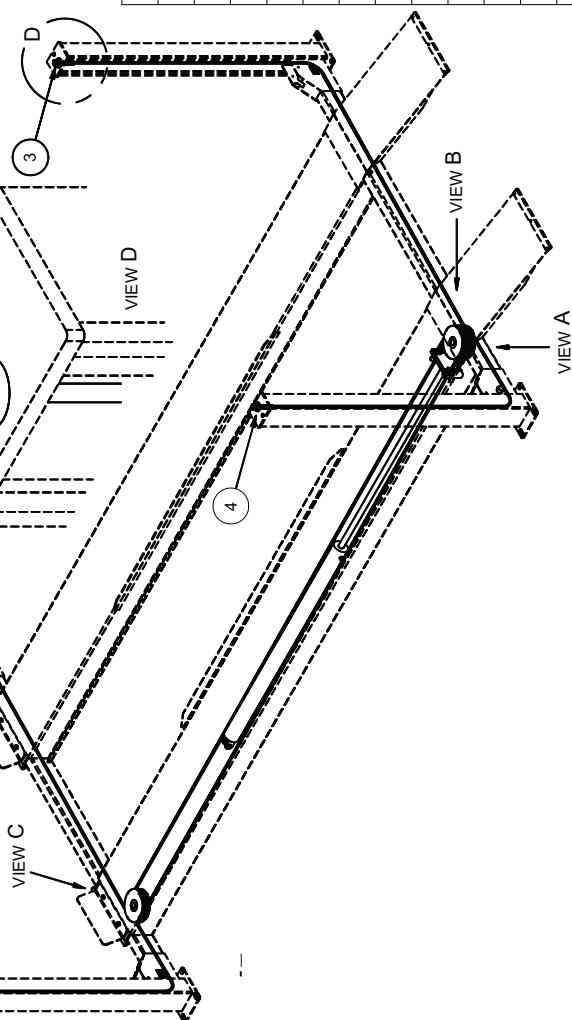
VIEW B



VIEW A



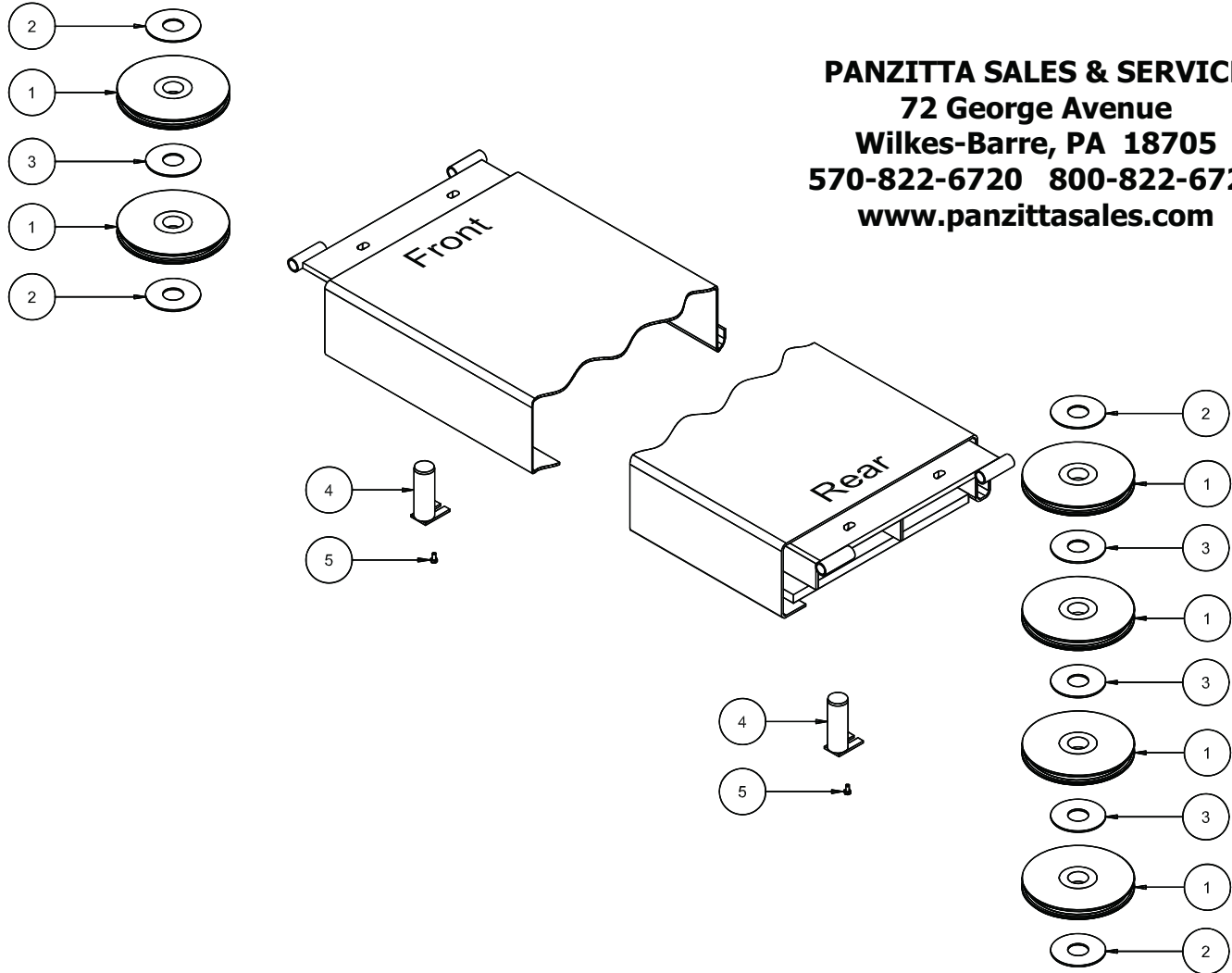
PANZITTA SALES & SERVICE
 72 George Avenue
 Wilkes-Barre, PA 18705
 570-822-6720 800-822-6720
 www.panzittasales.com



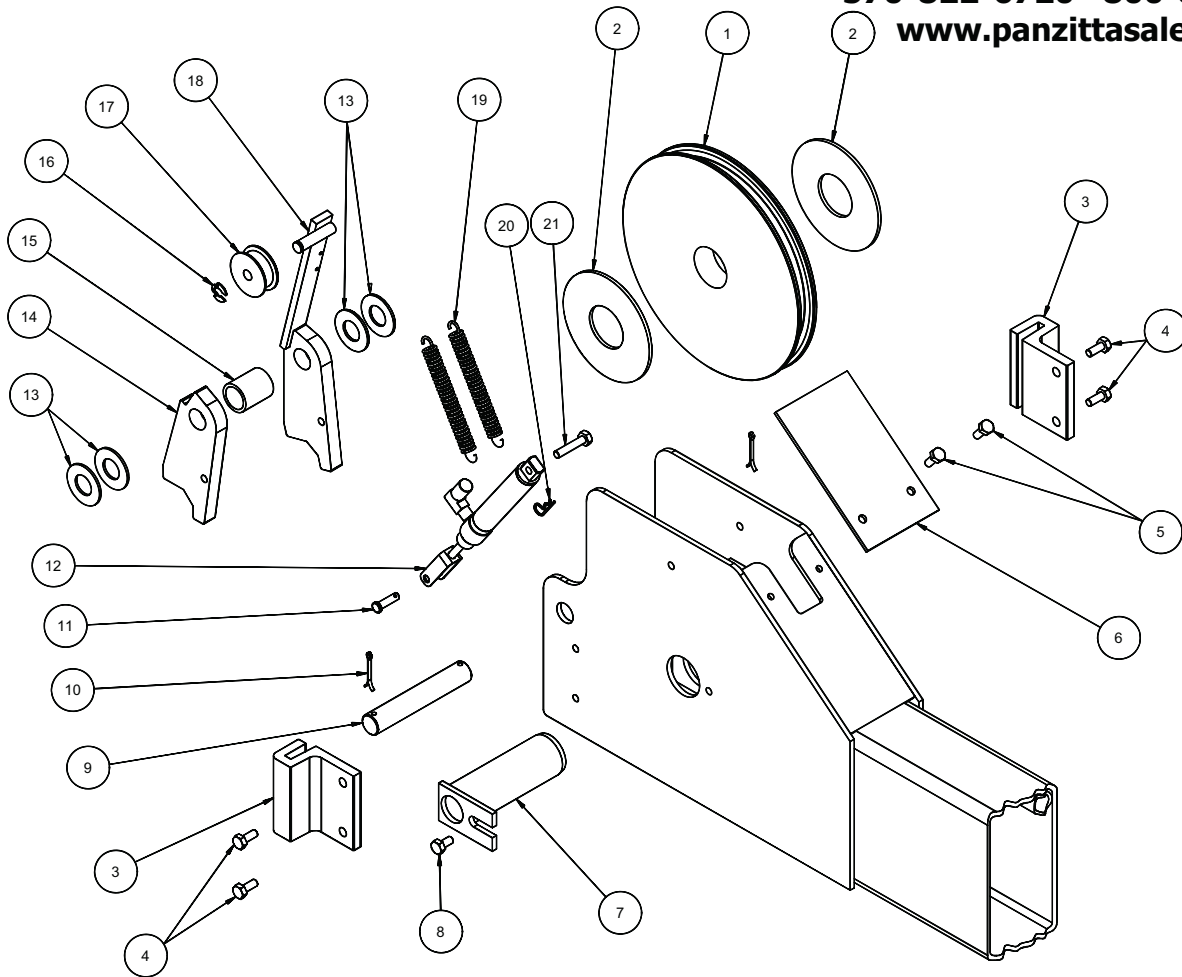
Item	Qty	Part Number	Description
1	1	40063 (40E) / 40184 (40N&40S)	R.F. Cable #1
2	1	40062 (40E) / 40183 (40N&40S)	L.F. Cable #2
3	1	40061	R.R. Cable #3
4	1	40060	L.R. Cable #4
5	1	40069	Cable Retainer for #2 & 3
6	1	40068	Cable Retainer for #1 & 4
7	4	36095	1/4-20 H.H.C.S.
8	4	36059	1/4-20 H.H. Locknut
9	4	40148	7/8-9 Hex Jam Nut
10	4	40147	7/8-9 Hex Nut
11	4	40149	7/8 FlatWasher
12	4	40186 (40N only)	Cable Spacer

Models 40E, 40N & 40S
 Installation, Operation and Maintenance

PANZITTA SALES & SERVICE
 72 George Avenue
 Wilkes-Barre, PA 18705
 570-822-6720 800-822-6720
 www.panzittasales.com

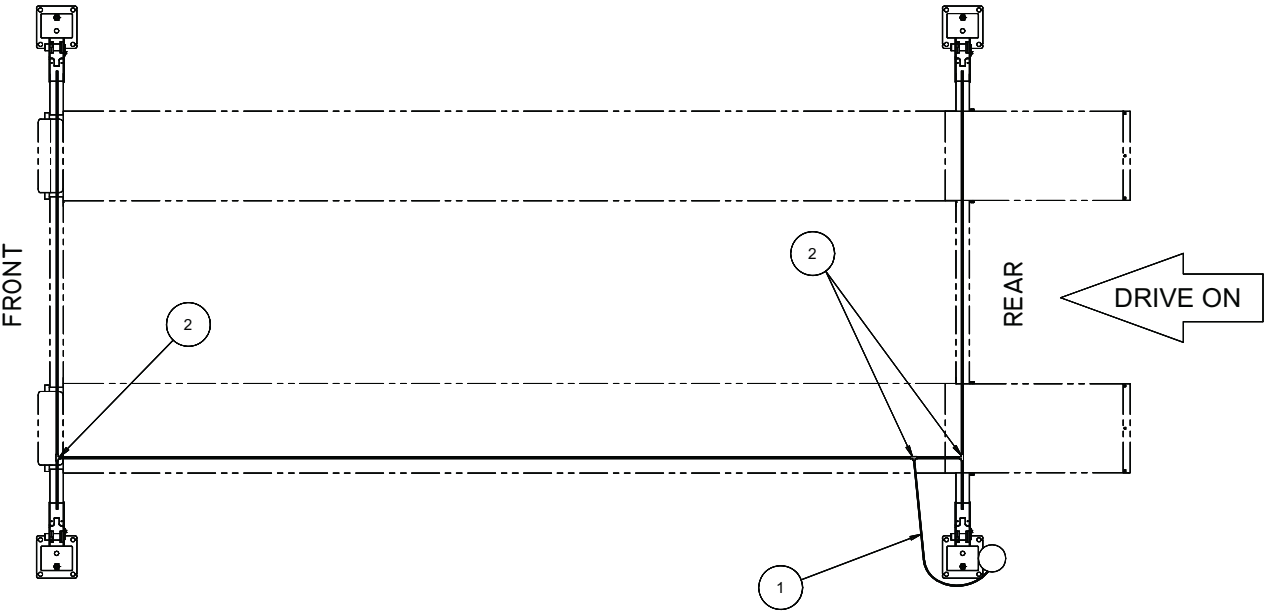


Item Number	Quantity	Part Number	Description
1	6	40050	Sheave
2	4	40054	Thin Bearing
3	4	40053	Thick Bearing
4	2	40055	Sheave Pin Weldment (runway)
5	2	31188	5/16-18 H.H.C.S.

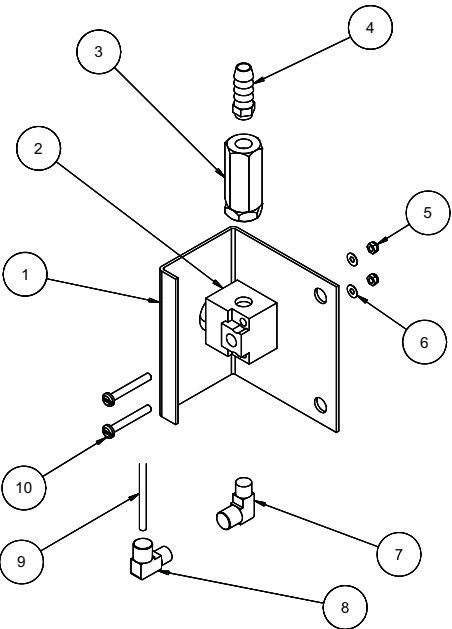


Item Number	Quantity	Part Number	Description
1	1	40050	Sheave
2	2	40053	Thick Bearing
3	2	40118	Slide Block
4	4	31188	5/16-18 H.H.C.S.
5	2	40120	1/4-20 Self Tap Screw
6	1	40122	Rubber Guard
7	1	40116	Sheave Pin (crossbeam)
8	1	31188	5/16-18 H.H.C.S.
9	1	40127	Ladder Lock Pivot Pin
10	2	40126	Cotter Pin
11	1	40123	Clevis Pin
12	1	40141	Air Cylinder Assembly
13	7	40128	Steel Bushing
14	1	40131	Ladder Lock
15	1	40132	Spacer
16	1	40137	Retaining Ring
17	1	40135	Roller
18	1	40134	Slack Cable Latch
19	2	40139	Extension Spring
20	1	40124	Hair Pin
21	1	40125	1/4" Dia. Shoulder Bolt

Models 40E, 40N & 40S
 Installation, Operation and Maintenance



ITEM NUMBER	QUANTITY	PART NUMBER	DESCRIPTION
1	1	37035	1/8" Air Line
2	3	37032	1/8" Union Tee



ITEM NUMBER	QUANTITY	PART NUMBER	DESCRIPTION
1	1	37015	Button Valve Bracket
2	1	37016	Air Valve
3	1	40091	In-Line Air Filter
4	1	37021	Hose Barb
5	2	37024	8-32 Hex Nut
6	2	37023	#8 Lock Washer
7	1	37020	1/8 NPT Street Elbow
8	1	37019	1/8 NPT to 1/8" Air Line
9	3	37032	1/8" Union Tee
10	1	37035	1/8" Air Line

PANZITTA SALES & SERVICE
 72 George Avenue
 Wilkes-Barre, PA 18705
 570-822-6720 800-822-6720
 www.panzittasales.com