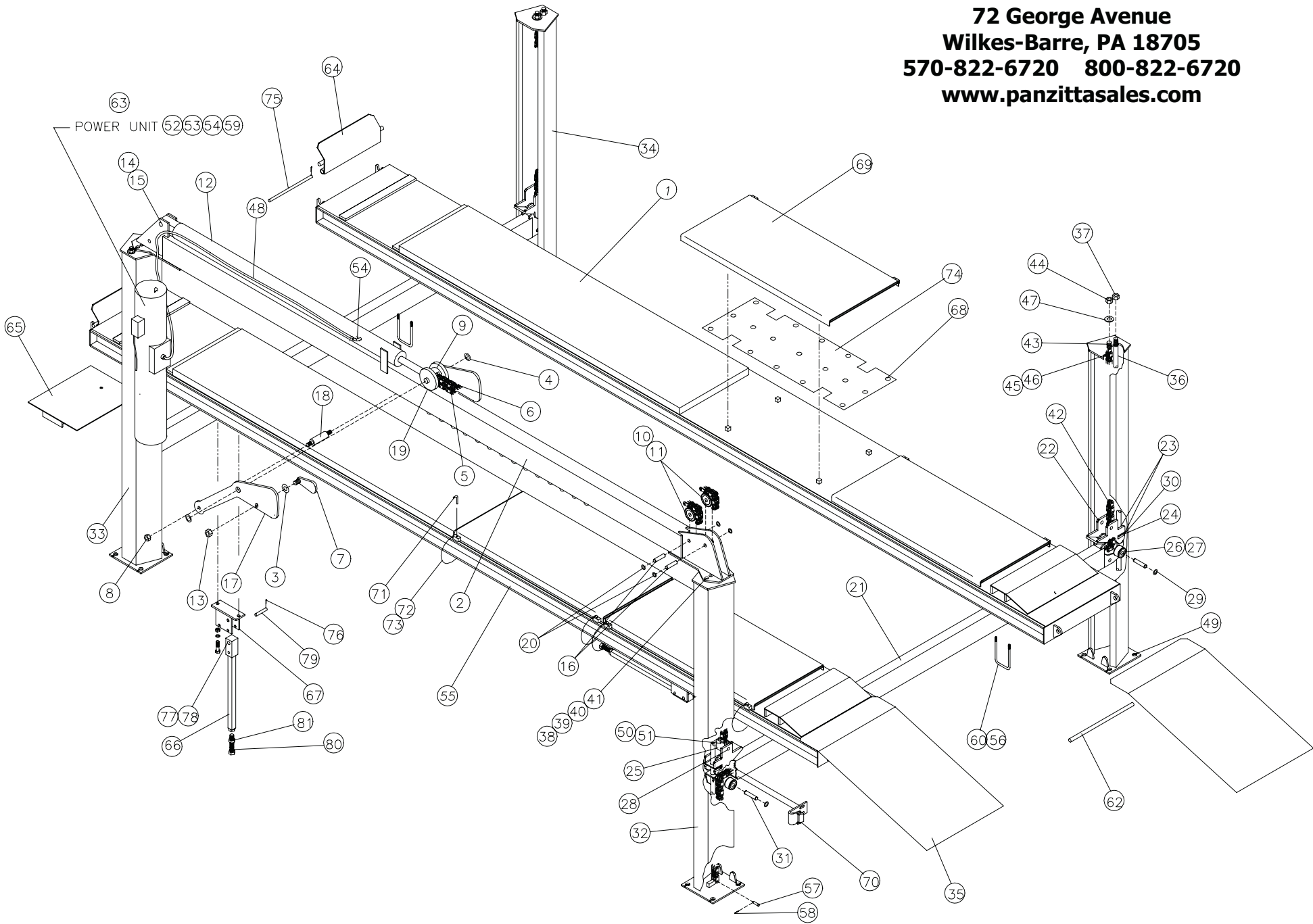


**PANZITTA SALES & SERVICE**  
**72 George Avenue**  
**Wilkes-Barre, PA 18705**  
**570-822-6720 800-822-6720**  
**www.panzittasales.com**



REF	QTY	DESCRIPTION	PART NUMBER	REF	QTY	DESCRIPTION	PART NUMBER
1	1	RH PLATFORM WELDMENT	601-40-0675	44	2	1"-14 LOCKNUT	314-03-0021
2	1	O'HEAD BEAM WELDMENT	601-40-0400	45	2	3/4" 3X4 MASTER LINK	304-05-0005
3	4	3/4" FLATWASHER	320-03-0057	46	2	1/8" X 1-1/2" COTTER PIN	315-02-0002
4	2	1-3/8" EXT. RETAINER RING	317-01-0011	47	2	1" FLATWASHER	320-03-0024
5	1	261" 6X6 CHAIN	443-02-0982	48	1	3/8' HOSE ASSEMBLY, 110.5" LONG	601-40-0428
6	1	97" 6X6 CHAIN	443-02-0983	49	16	ANCHOR BOLT ASSEMBLY	302-15-0002
7	1	LATCH RELEASE WELDMENT	601-40-0410	50	2	1/4-20 LOCKNUT	314-03-0050
8	2	3/4-16 NYLON LOCK NUT	314-03-0059	51	2	SHOULDER BOLT	319-22-0015
9	2	5/16"ø X 2-1/2" DOWELL PIN	315-03-0002	52	4	5/16-18 NYLON LOCKNUT	314-03-0083
10	3	SHEAVE, 3-3/4" DIA.	423-01-0013	53	4	5/16 X 1 HEX HEAD BOLT	302-02-0115
11	6	BEARING FOR SHEAVE	301-01-0022	54	2	90° ELBOW, #6MO X #6MJ	312-01-0104
12	1	4POST CYLINDER	591-01-1271	55	1	LH PLATFORM WELDMENT	601-40-0676
13	1	3/4-10 CENTER LOCK	314-03-0075	56	8	1/2-20 JAM NUT	314-04-0023
14	2	1/4" X 1-1/2 COTTER PIN	315-02-0020	57	2	5/16" X 1-1/4" CLEVIS PIN	443-05-0874
15	1	CYLINDER MOUNT PIN	443-02-0879	58	2	1/8" X 3/4" COTTER PIN	315-02-0021
16	3	SHEAVE PIN	443-02-0880	59	4	5/16" FLATWASHER	320-03-0035
17	2	LATCH PLATE	601-40-0572	60	4	U-BOLT	443-02-0875
18	1	LOCK PIN	443-02-0886	62	4	RAMP MOUNT PIN	443-02-0914
19	2	WHEEL ASSEMBLY	443-02-0887	63	1	POWER UNIT	367-01-0079
20	6	3/4" EXT. RETAINER RING	317-01-0012	64	4	FRONT STOP WELDMENT	601-40-0666
21	2	CROSSBEAM WELDMENT	601-40-0412	65	2	SLIDE STEP WELDMENT	601-40-0661
22	4	LATCH WELDMENT	601-40-0416	66	4	LEVELING LEG WELDMENT	601-40-0679
23	12	3/4" FLATWASHER	320-03-0057	67	4	LEG BASE WELDMENT	601-40-0670
24	4	SPRING	429-02-0039	68	4	BALL LOCATER WELDMENT	601-40-0727
25	2	LOCK BLOCK	443-02-0977	69	4	SLIP PLATE WELDMENT	601-40-0687
26	4	SHEAVE, 2-3/8" DIA.	423-01-0011	70	4	ANTI-SWAY ASSEMBLY	601-40-0768
27	8	BEARING FOR SHEAVE	301-01-0023	71	8	L-PIN	601-09-0087
28	6	LATCH PIN	443-02-0882	72	8	12" CABLE	601-09-0178
29	16	3/4" EXT. RETAINER RING	317-01-0012	73	16	CABLE SLEEVE	443-02-0502
30	4	ACTUATER PLATE	443-02-0909	74	60	1" STEEL BALLS	443-01-0030
31	2	SHEAVE PIN	443-02-0880	75	4	FRONT STOP PIN	601-40-0707
32	1	POST WELDMENT	601-40-0418	76	8	1/8" X 1-1/2" COTTER PIN	315-02-0002
33	1	POST WELD., POWER UNIT	601-40-0422	77	4	SPRING	429-01-0015
34	2	POST WELD., STANDARD	601-40-0423	78	8	3/4" CHROME BALLS	443-01-0038
35	4	RAMP ASSEMBLY	601-40-0674	79	4	LEG PIN	601-40-0680
36	4	SAFETY ROD	443-02-0863	80	4	3/4-10 X 4 BOLT	302-02-0264
37	8	3/4"-10 HEX NUT	314-02-0014	81	4	3/4-10 JAM NUT	314-04-0020
38	18	1/2-13 X 2 HEX HEAD BOLT	302-02-0123				
39	36	1/2" FLATWASHER	320-03-0052				
40	18	1/2" LOCKWASHER	320-04-0007				
41	18	1/2"-13 HEX NUT	314-02-0012				
42	2	206" 3X4 CHAIN	443-02-0913				
43	2	THREADED END	443-02-0862				