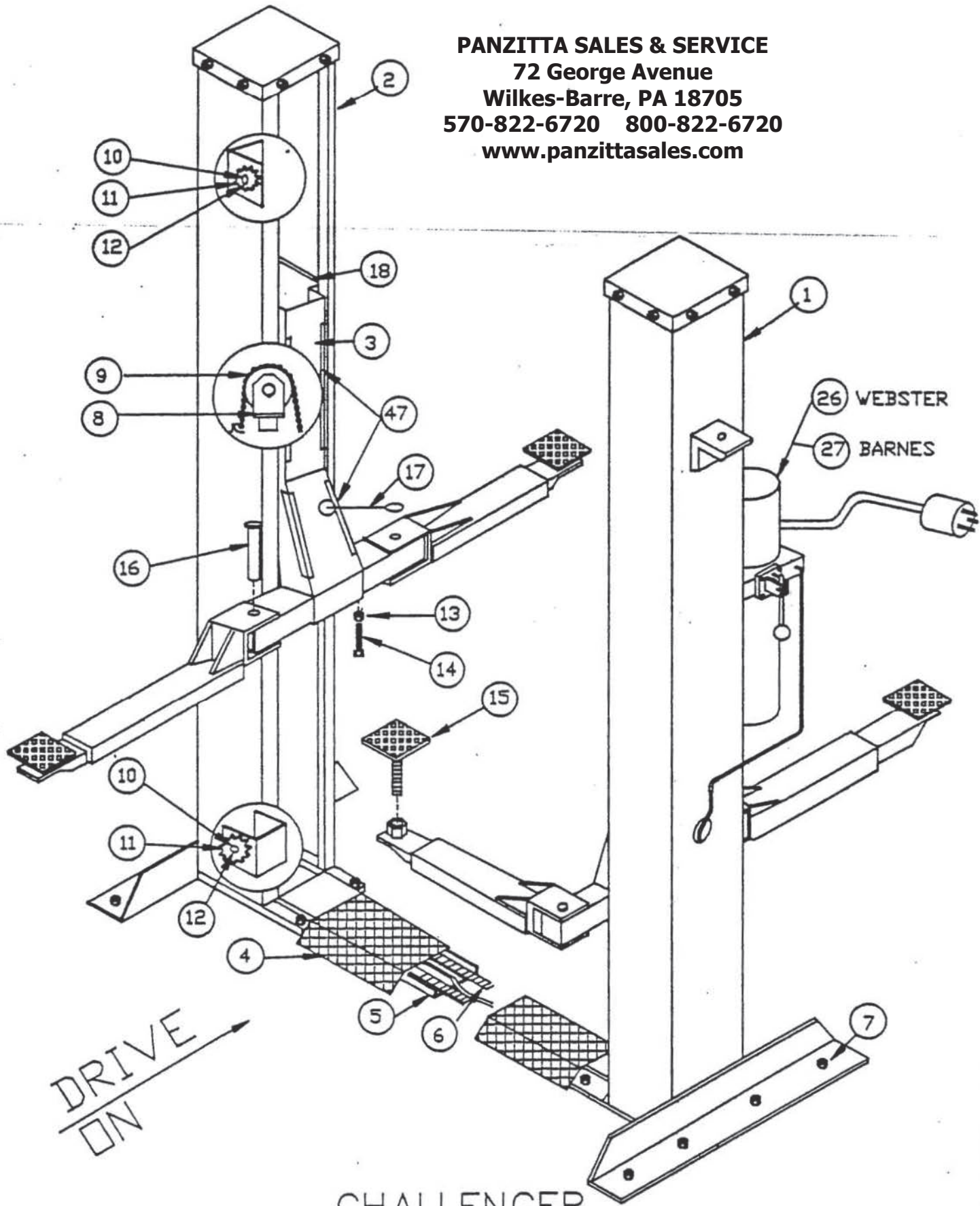


PANZITTA SALES & SERVICE
72 George Avenue
Wilkes-Barre, PA 18705
570-822-6720 800-822-6720
www.panzittasales.com

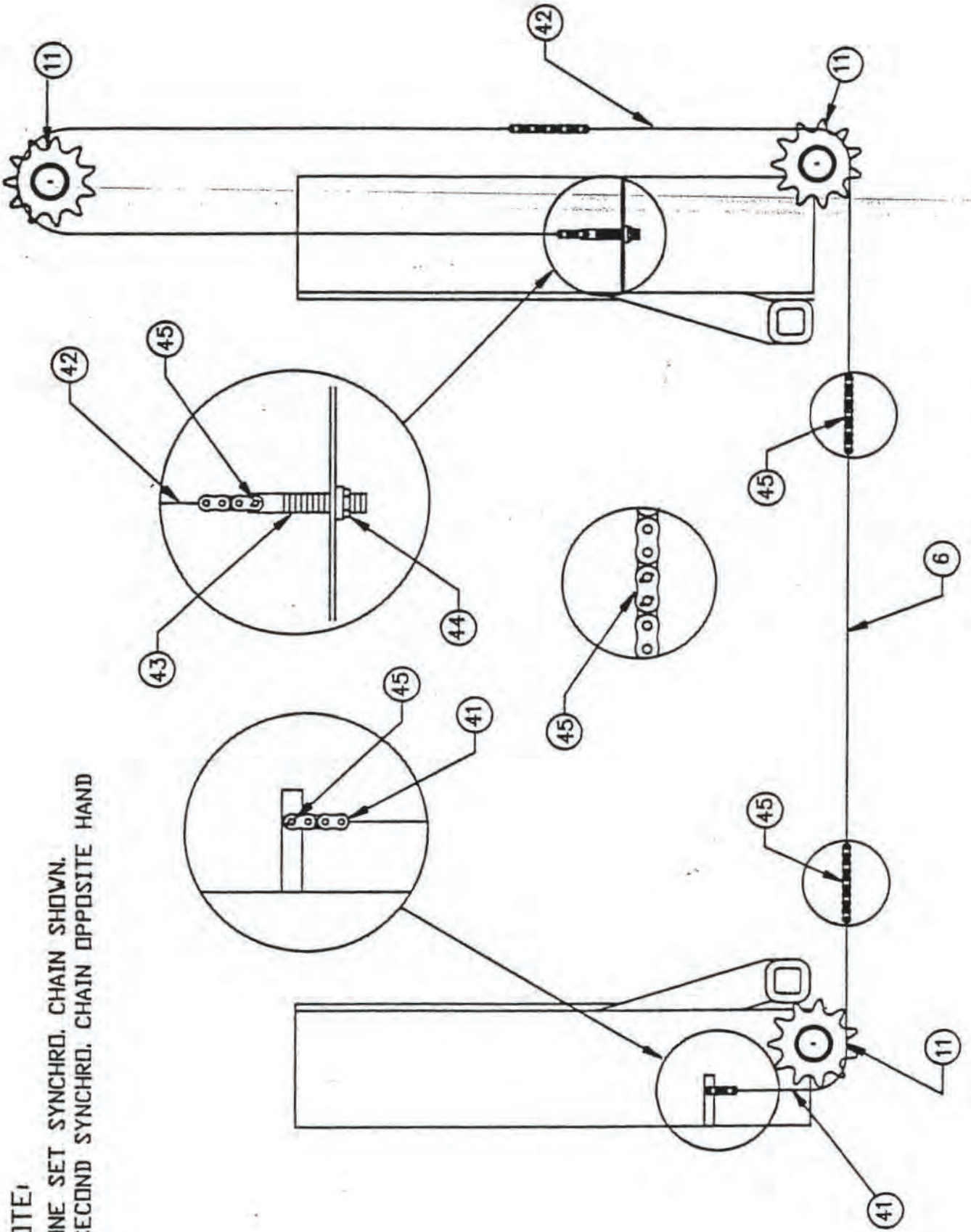


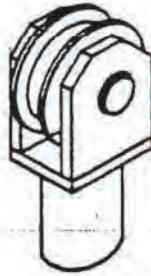
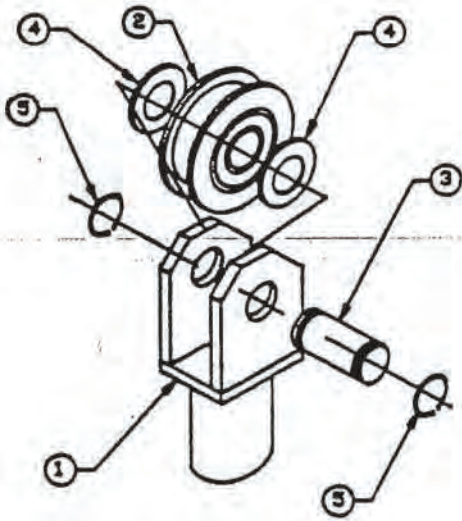
DRIVE
ON

CHALLENGER
MODEL 20,000

NOTE:
 ONE SET SYNCHRO. CHAIN SHOWN.
 SECOND SYNCHRO. CHAIN OPPOSITE HAND

PANZITTA SALES & SERVICE
 72 George Avenue
 Wilkes-Barre, PA 18705
 570-822-6720 800-822-6720
www.panzittasales.com

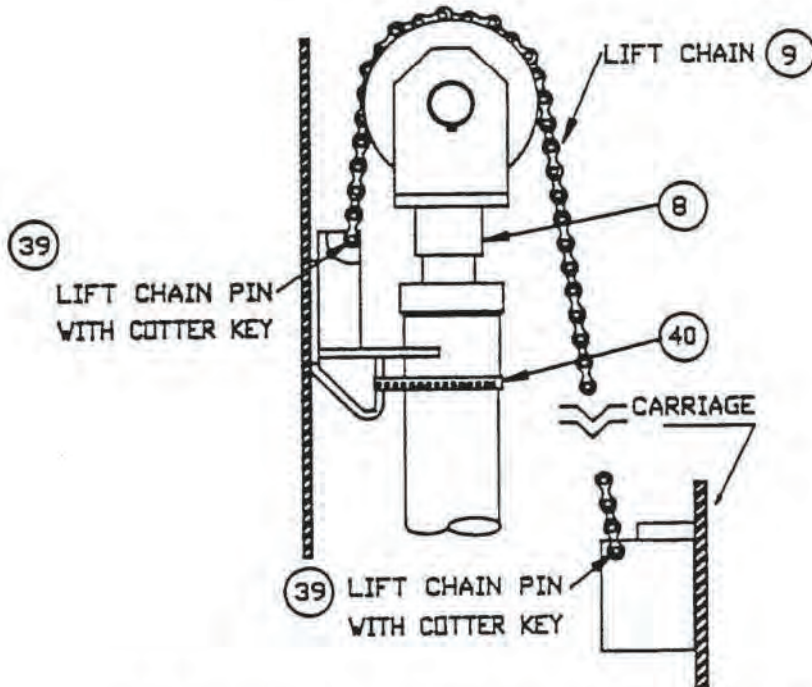




CYLINDER ROD EXTENSION ASS'Y
 PART NUMBER 200032
 ITEM ⑧

ASS'Y PARTS LIST

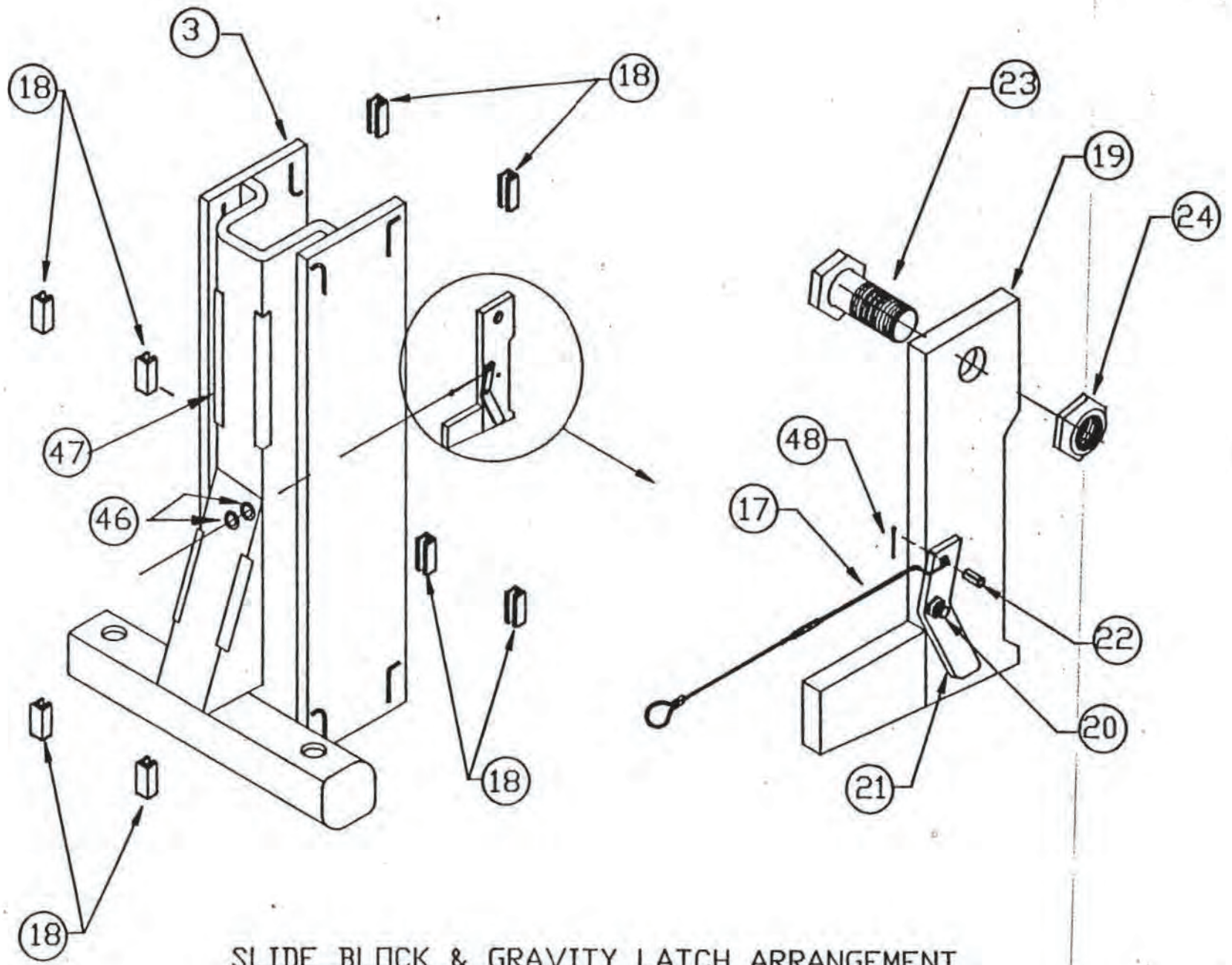
NO.	DESCRIPTION	PART NO.
1	TANG WELDMENT	200029
2	ROLLER ASS'Y	200031
3	PIN - ROLLER	200030
4	SPACER WASHER	200144
5	RETAINER RING	200011



DRIVE CHAIN ASS'Y

MODEL 20,000

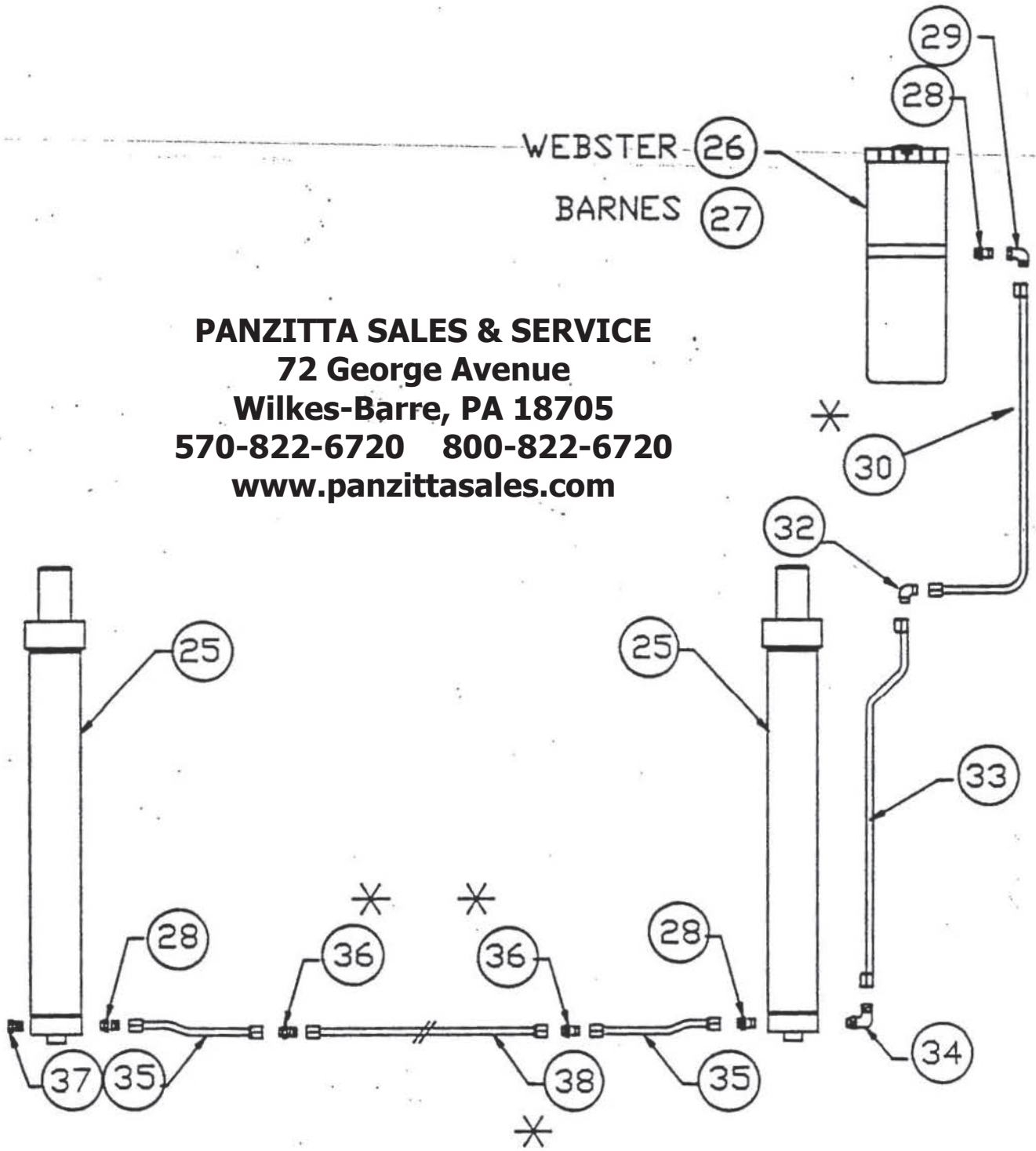
PANZITTA SALES & SERVICE
 72 George Avenue
 Wilkes-Barre, PA 18705
 570-822-6720 800-822-6720
 www.panzittasales.com



SLIDE BLOCK & GRAVITY LATCH ARRANGEMENT
MODEL 20,000

DRIVE OVER HYDRAULIC SYSTEM

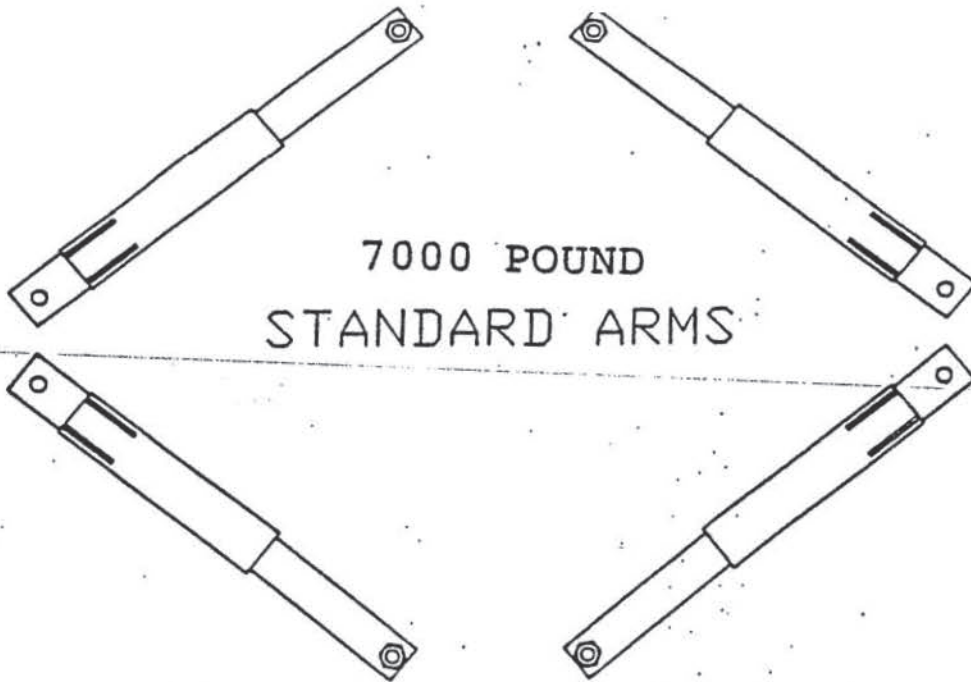
MODEL 20,000



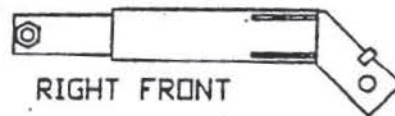
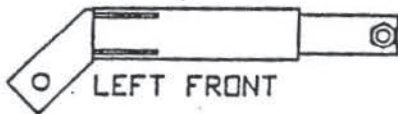
PANZITTA SALES & SERVICE
72 George Avenue
Wilkes-Barre, PA 18705
570-822-6720 800-822-6720
www.panzittasales.com

* PART NO. 200250 HYD. LINE PACKAGE SHIPPED LOOSE IN COLUMN

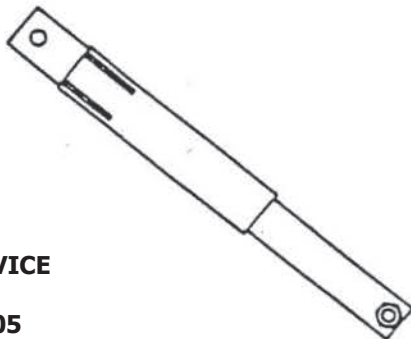
7000 POUND
STANDARD ARMS



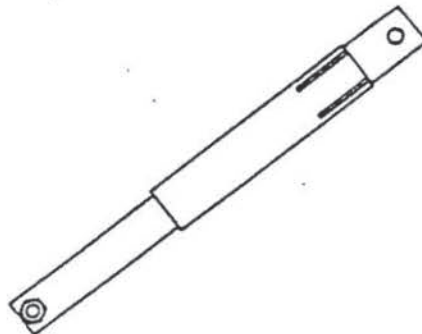
DESCRIPTION	FOOT PAD STYLE	PART NO.
SET 7000# STD. ARMS INCLUDES ARM PINS AND FOOT PADS	3 1/2" STEEL WITH RUBBER INSERT	200199
	3 1/2" FLAT RUBBER PAD	200059
7000# STANDARD ARM ONLY		200048



7000 POUND
ASYMMETRICAL



DRIVE
ON



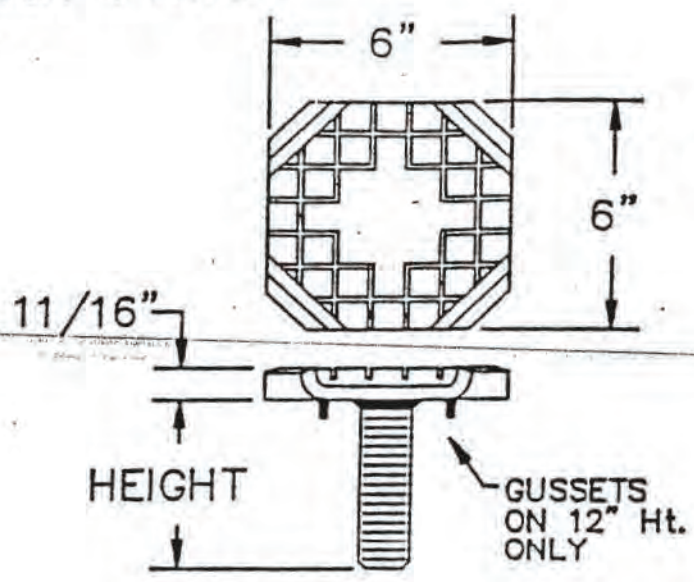
PANZITTA SALES & SERVICE
72 George Avenue
Wilkes-Barre, PA 18705
570-822-6720 800-822-6720
www.panzittasales.com

DESCRIPTION	FOOT PAD STYLE	PART NO.
SET 7000# ASYMMETRICAL ARMS INCLUDES ARM PINS & FOOT PADS	3 1/2" STEEL WITH RUBBER INSERT	200198
	3 1/2" FLAT RUBBER PAD	200060
7000# LEFT FRONT ASYM. ARM ONLY		200052
7000# RIGHT FRONT ASYM. ARM ONLY		200051
7000# REAR ASYM. ARM ONLY		200050

STEEL PAD WITH RUBBER INSERT
(REPLACEABLE RUBBER INSERT)

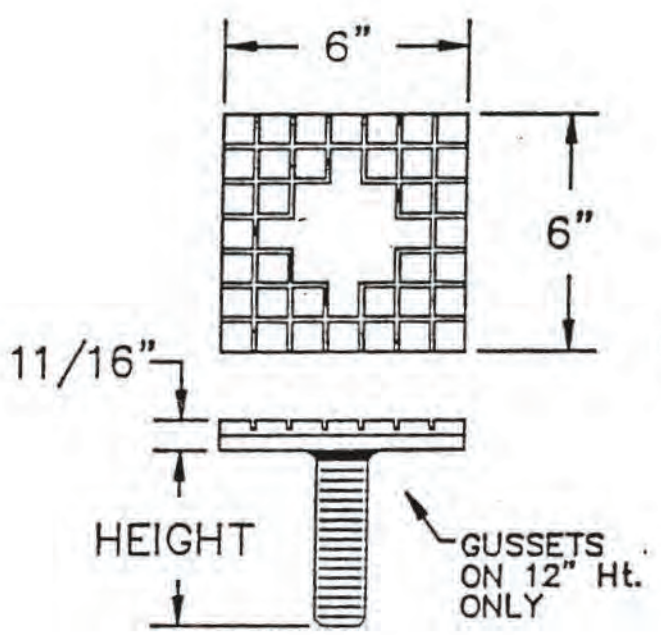
HEIGHT	PART NO.
3.5"	* 200100
4.5"	200079
8"	200083
10"	200084
12"	200085

* STD. WITH NEW LIFT
Replaceable Pad Kit #200086



FLAT STYLE RUBBER PAD
(NON-REPLACEABLE RUBBER)

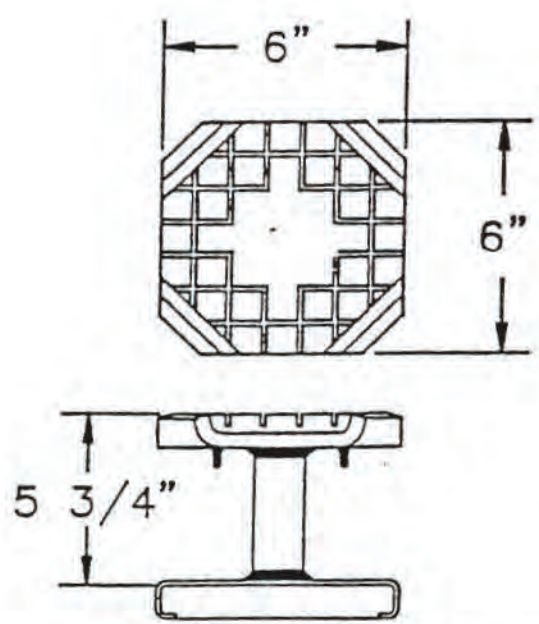
HEIGHT	PART NO.
3.5"	200099
4.5"	200034
8"	200035
10"	200142
12"	200127



SLIP ON EXTENSION PAD
(FITS STEEL PAD WITH RUBBER INSERT)

PANZITTA SALES & SERVICE
72 George Avenue
Wilkes-Barre, PA 18705
570-822-6720 800-822-6720
www.panzittasales.com

REPLACEMENT INSERT KIT
PART #200086



PART NO. 200188

CHALLENGER LIFT
MODEL 20,000

<u>ITEM</u>	<u>PARTS NO</u>	<u>QTY./LIFT</u>	<u>DESCRIPTION</u>
1	200124	1	POWER SIDE COLUMN COMPLETE
2	200107	1	IDLER SIDE COLUMN COMPLETE
3	200056	2	CARRIAGE ASSEMBLY (INCLUDES GRAVITY LATCH ASSY. AND LIFT CHAIN)
	200111		CARRIAGE WELDMENT ONLY WITH DECAL AND GROMMET
4	200018	1	DRIVEOVER PLATE ASSY.
5	200019	1	DRIVEOVER TROUGH ASSY.
6	200042	2	SYNCHRONIZER CHAIN DRIVEOVER 80 PITCH ONLY
7	200004	12	ANCHOR BOLTS
8	200032	2	CYLINDER ROD EXTENSION ASSEMBLY
9	200046	2	LIFT CHAIN
10	200144	10	WASHER SPACER
11	200021	6	SPROCKET FOR SYNC CHAIN
12	200011	10	SNAP RING
13	200202	2	JAM NUT FOR STOP BOLT
14	200166	2	½" STOP BOLT
15	200100	4	STD. STEEL PAD WITH RUBBER INSERT (3 1/2" SCREW)
16	200033	4	SWIVEL ARM PIN
17	200039	2	SOFT GRAVITY LATCH RELEASE HANDLE ASSY.
18	200013	16	SLIDE BLOCK - CARRIAGE
19	200040	2	GRAVITY LATCH ASSY. (includes items 20,21,&22)
20	200155	2	GRAVITY LATCH RELEASE BAR LOCKNUT
21	200154	2	GRAVITY LATCH RELEASE BAR
22	200156	2	GRAVITY LATCH RELEASE BAR STOP PIN
23	200151	2	GRAVITY LATCH MOUNTING BOLT
24	200152	2	GRAVITY LATCH MOUNTING LOCKNUT
25	200001	2	HYDRAULIC CYLINDER (SPECIFY SERIAL NUMBER)
26	200076	1	WEBSTER POWER PACK 230V SINGLE PHASE BARNES POWER PACK 230V SINGLE PHASE BARNES POWER PACK 230/460V THREE PHASE
27	200002	only	
	200020		
28	200096	3	HYDRAULIC STRAIGHT CONNECTOR "O" RING x TUBE
29	200025	1	HYDRAULIC 90 SWIVEL ELBOW
30	200241	1	HYDRAULIC LINE POWER PACK TO BACK OF COLUMN

**CHALLENGER LIFT
MODEL 20,000**

**PANZITTA SALES & SERVICE
72 George Avenue
Wilkes-Barre, PA 18705
570-822-6720 800-822-6720
www.panzittasales.com**

<u>ITEM</u>	<u>PARTS NO.</u>	<u>QTY./LIFT</u>	<u>DESCRIPTION</u>
32	200007	1	HYDRAULIC 90 ELBOW TUBE X TUBE
33	200038	1	HYDRAULIC LINE CYL. TO BACK OF COLUMN
34	200008	1	HYDRAULIC 90 ELBOW "O" RING X TUBE
35	200095	2	HYDRAULIC LINE CYL. TO DRIVEOVER LINE
36	200014	2	HYDRAULIC STRAIGHT UNION TUBE X TUBE
37	200058	1	HYDRAULIC "O" RING PLUG
38	200009	1	HYDRAULIC LINE DRIVEOVER
39	200148	4	LIFT CHAIN PIN
40	200047	2	CLAMP FOR HYDRAULIC CYLINDER
41	200045	2	SYNCHRONIZER CHAIN LOWER 28 PITCH
42	200043	2	SYNCHRONIZER CHAIN UPPER 201 PITCH
43	200044	2	ADJUSTMENT STUD FOR SYNC CHAIN
44	200064	2	LOCKNUT ADJUSTMENT STUD
45	200006	8	MASTER LINK FOR SYNCHRONIZER CHAIN
46	200134	4	RUBBER GROMMET
47	200026	1 SET	RUBBER DOOR CUSHION (ONE SET OF 6 pcs)
48	200153	2	COTTER KEY FOR GRAVITY LATCH HANDLE
	200098	1	DECAL SET
	200121	1	HARDWARE BOX
	200186	1	INSTALLATION AND OPERATION MANUAL
	200249	1	A.L.I. LIFTING MANUAL
	200250	1	HYDRAULIC LINE PACKAGE (SHIPPED LOOSE IN COLUMN INCLUDES ITEMS 30, 2-36, and 38)