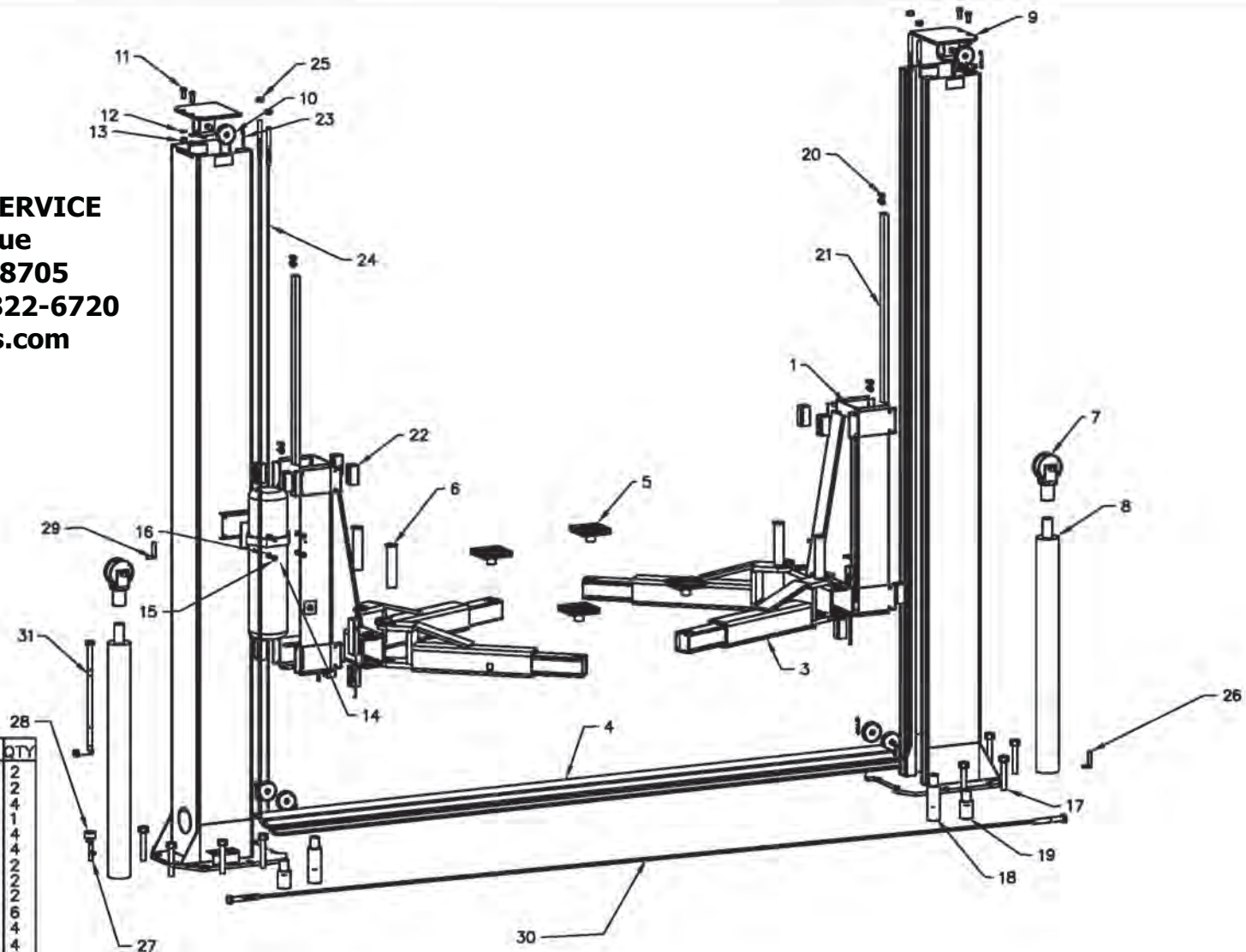


PANZITTA SALES & SERVICE
72 George Avenue
Wilkes-Barre, PA 18705
570-822-6720 800-822-6720
www.panzittasales.com



NO	ITEM NO	DESCRIPTION	QTY
1	5210843	LIFT HEAD	2
2	5210697	POST	2
3	5210812	ARM	4
4	5700295	COVER PLATE	1
5	5210700	LIFT PAD	4
6	5505270	LIFT HEAD PIN	4
7	5210701	CHAIN PULLEY	2
8	5502100	2 1/2X37 CYL.	2
9	5210844	EQUALIZER PULLEY PL.	2
10	5575310	3" PULLEY	6
11	5530136	3/8-16x1 1/2 HHB	4
12	5545130	3/8 LOCK WASHER	4
13	5535170	3/8 HEX NUT	4
14	5585082	AB-1468	1
15	5530260	5/16-18x3/4 HHB/PWR UNIT	4
16	5535122	5/16-18 NYLOCK NUT/PWR UNIT	4
17	5530450	3/4x5 ANCHOR BOLTS	12
18	5746395	PAD EXT, LONG	4
19	5746390	PAD EXT, SHORT	4
20	5510320	BL-646 CONN. LINKS	4
21	5510440	CHAIN BL646 50-1/4"	2
22	5715200	GUIDE BLOCK	16
23	5505350	HAIR PIN	6
24	5595455	3/8 CABLE 358"	2
25	5535100	5/8-11 HEX NUT	4
26	5550106	3/8 90°x1/4 FITTING	1
27	5550148	3/8x1/4	1
28	5550146	3/8 REDUCER	1
29	5550103	1/4 90°W/O RING x3/8	1
30	5570490	1/4 HOSE 140"LG	1
31	5570430	1/4 HOSE 44"LG	1

NOTES: UNLESS OTHERWISE SPECIFIED

 PROJECTION APPROVED	TOLERANCES: XX ± 0.02 XXX ± 0.005 FRACTIONS ± 1/16 SURFACE 83 DIA. Ø ± 0.005 ANGLES ± 1/2°	BEND-PAK 1645 LEMONWOOD DRIVE SANTA PAULA, CA 93060	
	QTY REQ'D	XL-9X	
CASE CODE ØA223	NEXT ASSY	DATE: 07/18/03	REV.
		SCALE:	XL-9X