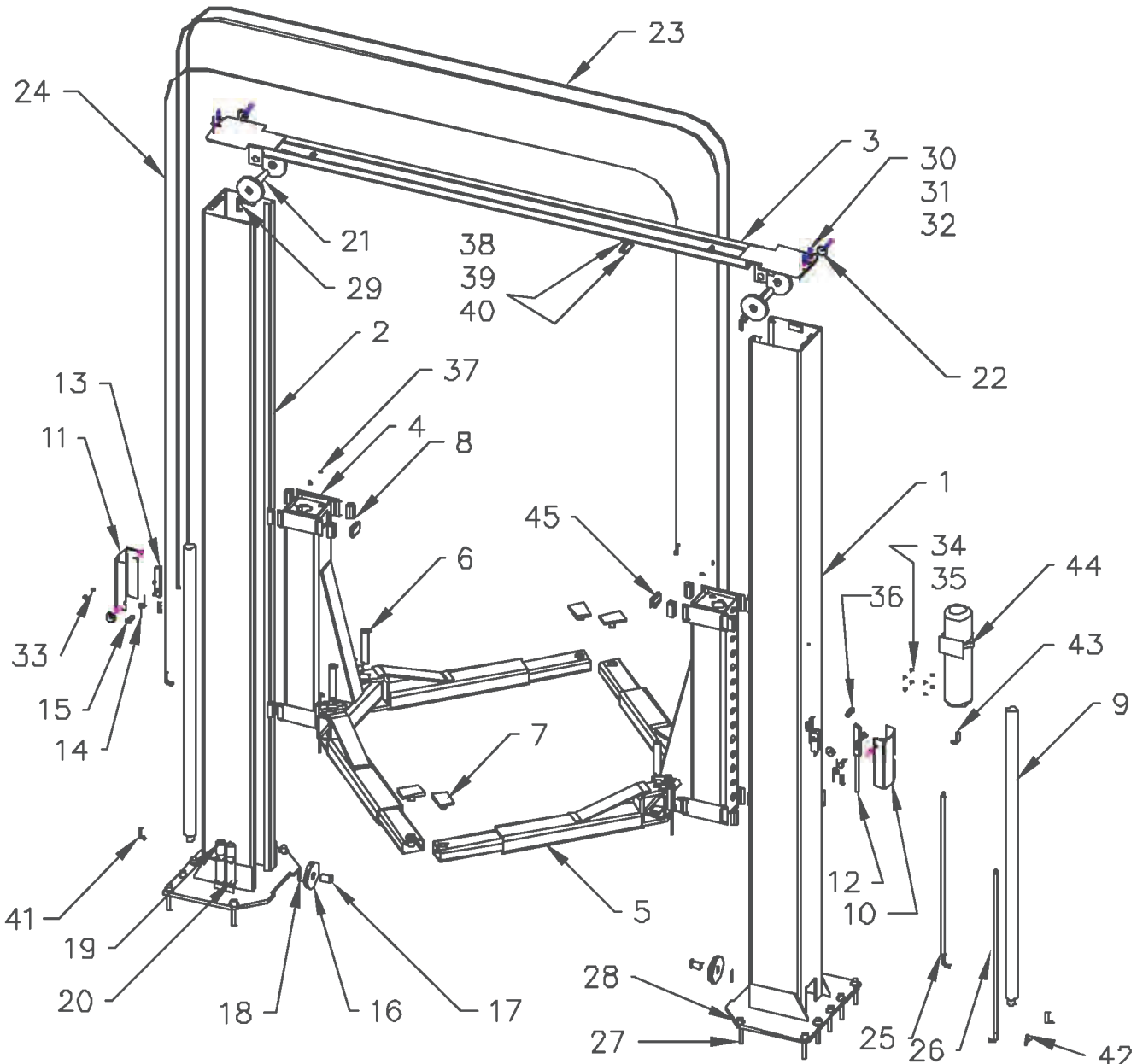


#	ITEM NO.	DESCRIPTION	QTY
1.	5210721	PWR SIDE POST	1
2.	5210722	OFFSIDE POST	1
3.	5210713	TOP TROUGH	1
4.	5210734	LIFT HEAD	2
5.	5210917	ARM ASSEMBLY	4
6.	5505310	ARM PIVOT PIN	4
7.	5210700	LIFT PAD	4
8.	5715200	SLIDE BLOCK	16
9.	5502305	2.5"x 69" CYLINDER	2
10.	5210779	PWR SIDE COVER	1
11.	5700312	OFFSIDE COVER	1
12.	5210400	PWR SIDE SAFETY	1
13.	5210725	OFFSIDE SAFETY	1
14.	5540130	SAFETY SPRING	2
15.	5505390	3/4x2 1/2 CLEVIS PIN	2
16.	5575320	6" EQUALIZER ROLLER	6
17.	5505320	3/4x1 1/2 CLEVIS PIN	2
18.	5505350	LARGE HAIRPIN CLIP	8
19.	5746390	3" HEIGHT ADAPTER	4
20.	5746395	6" HEIGHT ADAPTER	4
21.	5746102	TOP ROLLER PIN	2
22.	5575325	2" SAFETY SHEAVE	4
23.	5595460	1/2" CABLE 418" LONG	2
24.	5570760	1/4" HOSE 371 3/4" LONG	1
25.	5570832	1/4" HOSE 90 1/2" LONG	1
26.	5570770	1/4" HOSE 48" LONG	1
27.	5530325	3/4x7" ANCHOR BOLTS	14
28.	5545535	C-SHIMS	25
29.	5545171	3/4" SAE FLAT WASHER	4
30.	5530136	3/8-16x1 1/2 HEX BOLT	4
31.	5545130	3/8" LOCK WASHER	4
32.	5535170	3/8-16 HEX NUT	4
33.	5545235	3/8" PUSH ON WASHER	2
34.	5530260	5/16-18x3/4 HEX BOLT	6
35.	5535122	5/16-18 NYLOCK NUT	6
36.	5535160	1/2-13 HEX NUT	2
37.	5535155	3/4-10 HEX NUT	4
38.	5766145	MICRO SWITCH HOUSING	1
39.	5700692	MICRO SWITCH COVER PL.	1
40.	5525110	MICRO SWITCH	1
41.	5550113	2501LL-4-4 90-DEG FITT.	2
42.	5550310	2703-4-4-4 T-FITTING	1
43.	5550103	6801-4-6 PWR. UNIT FITT.	1
44.	5585077	AB-1523 POWER UNIT	1
45.	5715196	3"x4" PLASTIC COVER	2

NOTES: UNLESS OTHERWISE SPECIFIED



PANZITTA SALES & SERVICE
72 George Avenue
Wilkes-Barre, PA 18705
570-822-6720 800-822-6720
www.panzittasales.com

 PROJECTION APPROVED:	TOLERANCES: XX ± 0.02 XXX ± 0.005 FRACTIONS & 1/16 SURFACE BY DIA. ± 0.010 ANGLES ± 1/2° QTY REQ'D	BEND-PAK 1645 LEMONWOOD DRIVE SANTA PAULA, CA 93060	
		MX-18C	
		MAT'L:	
		DATE: 08/11/04	REV.
DATE: 08/11/04 0A223	NEXT ASSEMBLY	SCALE: N/A	