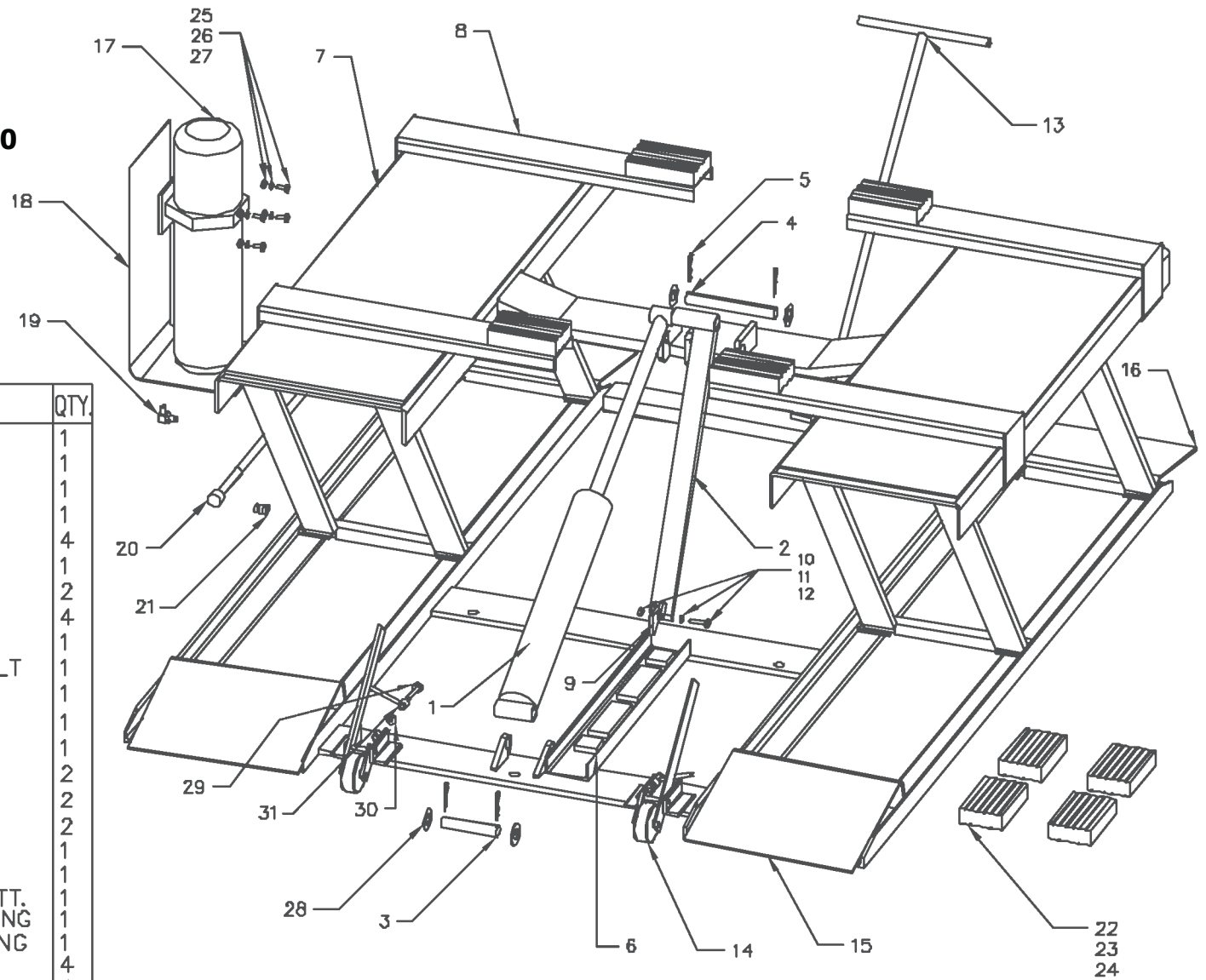


PANZITTA SALES & SERVICE
72 George Avenue
Wilkes-Barre, PA 18705
570-822-6720 800-822-6720
www.panzittasales.com



#	ITEM NO.	DESCRIPTION	QTY.
1.	5502135	3" x 18" CYLINDER	1
2.	5210870	SAFETY ARM ASSEMBLY	1
3.	5746586	LOWER HINGE PIN	1
4.	5746587	UPPER HINGE PIN	1
5.	5505400	3/16 x 2" COTTER PIN	4
6.	5210866	SAFETY STOP ASSEMBLY	1
7.	5715290	RUBBER TOP PAD	2
8.	5210447	LR-4A OPTIONAL ARMS	4
9.	5731283	SAFETY LATCH	1
10.	5530136	3/8-16 x 1 1/2" HEX BOLT	1
11.	5535170	3/8-16 HEX NUT	1
12.	5545130	3/8" LOCK WASHER	1
13.	5210863	TOW BAR ASSEMBLY	1
14.	5210907	WHEEL ASSEMBLY	2
15.	5700647	DRIVE-ON RAMP	2
16.	5700646	DRIVE-OFF RAMP	2
17.	5585094	POWER UNIT AB-1380	1
18.	5700635	POWER UNIT STAND	1
19.	5550103	6801-4-6 POWER UNIT FITT.	1
20.	5570115	1/4" HYDR. HOSE 120" LONG	1
21.	5550147	2404-4-4 STRAIGHT FITTING	1
22.	5585094	1 1/2" RUBBER PAD	4
23.	5700635	3" RUBBER PAD	4
24.	5550103	6" RUBBER PAD	4
25.	5530260	5/16-18 x 3/4" HEX BOLT	4
26.	5535122	5/16-18 NYLOCK NUT	4
27.	5545135	5/16 LOCK WASHER	4
28.	5545165	1" FLAT WASHER	4
29.	5530132	3/8-16 x 2 1/4" HEX BOLT	2
30.	5535110	3/8-16 NYLOCK NUT	2
31.	5210994	WHEEL PIN ASSY.	2

NOTES: UNLESS OTHERWISE SPECIFIED

 PROJECTION APPROVED:	TOLERANCES: XX ± 0.02 XXX ± 0.005 FRACTIONS & 1/16 SURFACE 63 DIA. Ø ±.010 ANGLES 1/2"	BEND-PAK 1645 LEMONWOOD DRIVE SANTA PAULA, CA 93060	
		LR-60P	
		MAT'L:	
		DATE: 09/13/04	REV.
DATE CODE 0A223	NEXT ASSY	SCALE:	