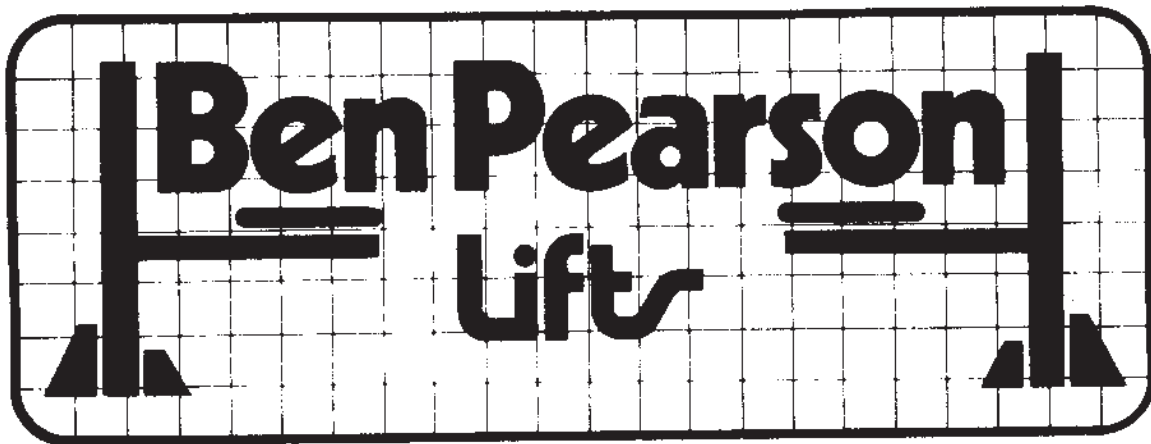


PARTS MANUAL

FOUR POST LIFTS

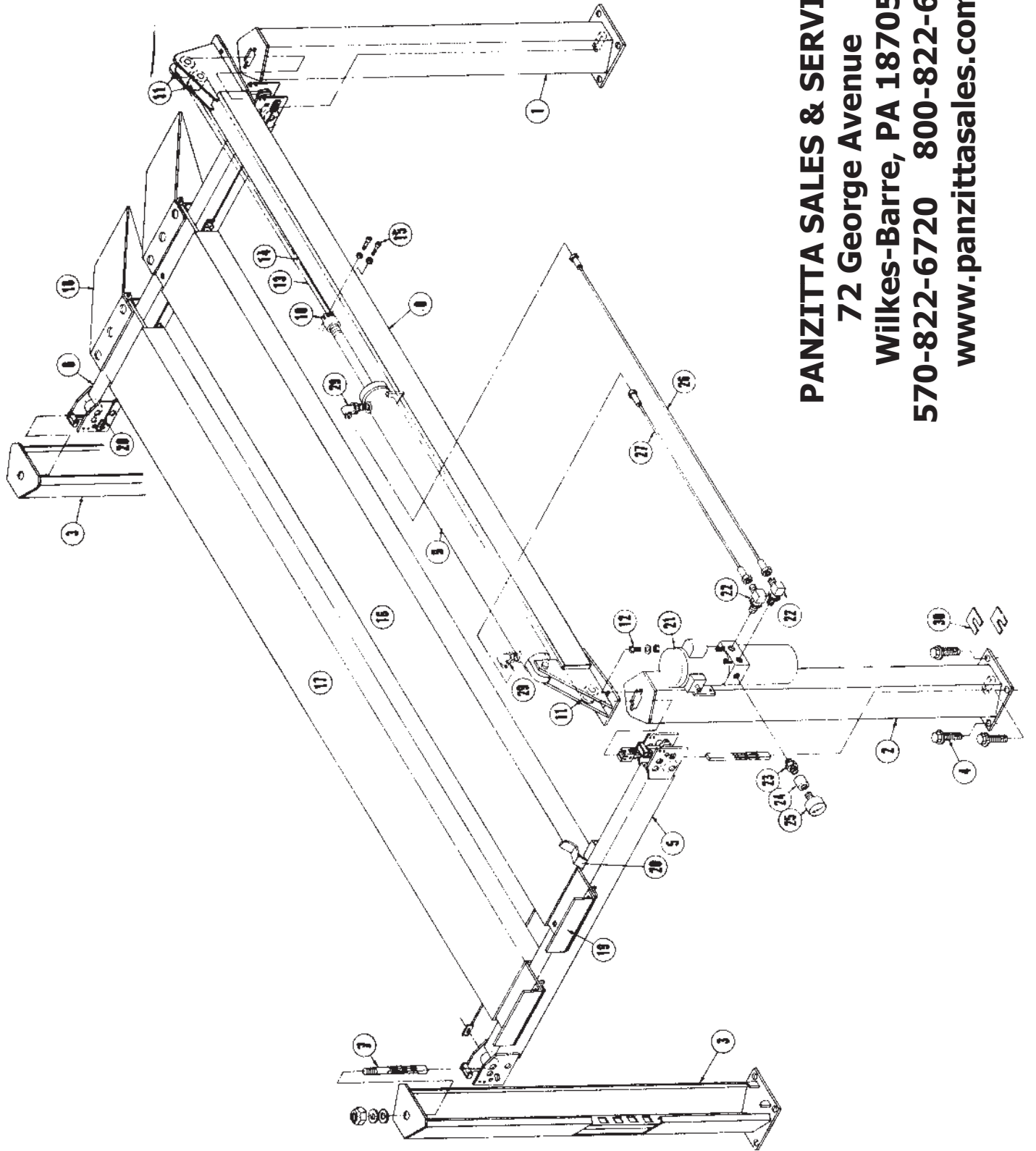


PANZITTA SALES & SERVICE
72 George Avenue
Wilkes-Barre, PA 18705
570-822-6720 800-822-6720
www.panzittasales.com



LIFT PARTS
LMT 12 - SST 12 - LMT 9 - SST 9

C-Note



PANZITTA SALES & SERVICE
72 George Avenue
Wilkes-Barre, PA 18705
570-822-6720 800-822-6720
www.panzittasales.com

LIFT PARTS
LMT 12 - SST 12 - LMT 9 - SST 9

| Code | Part Name | Qty. | LMT 12 | SST 12 | LMT 9 | SST 9 |
|------|---|------|------------------|------------------|------------------|------------------|
| 1 | Post Structure - Main | 1 | 81051 | 81051 | 81051 | 81051 |
| 2 | Post Structure - Main w/Power Unit Mount | 1 | 81052 | 81052 | 81052 | 81052 |
| 3 | Post Structure - Offside | 2 | 81053 | 81053 | 81053 | 81053 |
| 4 | Anchor Bolt 3/4-10NC x 4 | 16 | 80062 | 80062 | 80062 | 80062 |
| 5 | Front Cross Tube Ass'y. (See Breakdown) | 1 | 81120 | 81060 | 81060 | 81129 |
| 6 | Rear Cross Tube Ass'y. (See Breakdown) | 1 | 81119 | 81059 | 81059 | 81128 |
| 7 | Cross Chain Ass'y. w/Adj. Stud-Consists Of: | 2 | 81721 | 81723 | 81723 | 81725 |
| | Chain 3 & 4 | 1 | 81722 | 81724 | 81724 | 81726 |
| | Bolt - Chain Retainer | 1 | 80023 | 80023 | 80023 | 80023 |
| | Soc. Hd. Cap Screw 5/16-18NC x 1 3/4 | 1 | 81185 | 81185 | 81185 | 81185 |
| | Nylock Nut 5/16-18NC | 1 | 80064 | 80064 | 80064 | 80064 |
| | Connecting Link | 1 | 80139 | 80139 | 80139 | 80139 |
| | Hex Nut - Nylock 1-14NS | 1 | 80035 | 80035 | 80035 | 80035 |
| | Flat Washer - (Spacer) | 12 | 100143 | 100143 | 100143 | 100143 |
| 8 | Upper Horizontal Tube Structure | 1 | 80001 | 80073 | 80073 | 80073 |
| 9 | Hydraulic Cylinder 72" Stroke | 1 | 80078 | 80078 | 80078 | 80078 |
| | Seal Kit (Prince Cyl.) Replacement Only | 1 | 81914 | 81914 | 81914 | 81914 |
| | Pin - Cylinder | 1 | 80027 | 80027 | 80027 | 80027 |
| | Roll Pin 1/4 x 1 1/2 | 2 | 100106 | 100106 | 100106 | 100106 |
| | Orifice .093 | 1 | 81961 | 81961 | 81961 | 81961 |
| 10 | Connector - Cylinder End | 1 | 80079 | 80079 | 80079 | 80079 |
| 11 | Roller <i>c-note</i> | 3 | 80028 | 80028 | 80028 | 80028 |
| | Hex Screw 3/4-16NF x 3 1/2 Gr. 5 | 3 | 80039 | 80039 | 80039 | 80039 |
| | Hex Nut-Nylock-Thin 3/4-16NF | 3 | 80034 | 80034 | 80034 | 80034 |
| 12 | Hex Screw (H.Tube-Posts) 1/2-13NC x 1 3/4 Gr. 5 | 4 | 80453 | 80453 | 80453 | 80453 |
| | Flat Washer | 4 | 100152 | 100152 | 100152 | 100152 |
| | Hex Nut-Whiz 1/2-13NC | 4 | 100039 | 100039 | 100039 | 100039 |
| 13 | Leaf Chain (Short 4 & 6) | 1 | 81117 | 81108 | 81108 | 81108 |
| 14 | Leaf Chain (Long 4 & 6) | 1 | 81118 | 81109 | 81109 | 81109 |
| 15 | Soc.Hd. Cap Screw (Sp.) 5/16-18NC x 2 1/2 | 2 | 80063 | 80063 | 80063 | 80063 |
| | Hex Nut - Nylock 5/16-18NC | 2 | 80064 | 80064 | 80064 | 80064 |
| 16 | LH Track Structure | 1 | 81111 | 81327 | 81058 | 81058 |
| | Hex Screw (LH Track-C.Tubes) 1/2NCx1 3/4 | 2 | 80453 | 80453 | 80453 | 80453 |
| | Flat Washer 1/2 | 2 | 100152 | 100152 | 100152 | 100152 |
| | Hex Nut - Whiz 1/2-13NC | 2 | 100039 | 100039 | 100039 | 100039 |
| 17 | RH Track Structure | 1 | 80102 | 81328 | 80112 | 80112 |
| 18 | Ramp Assembly | 2 | 81340 | 81340 | 81340 | 81340 |
| | Ramp Structure | 2 | 80631 | 80631 | 80631 | 80631 |
| | Rod (Ramp to Pivot) | 2 | 80069 | 80069 | 80069 | 80069 |
| | Cotter Pin (Rod) 1/8 x 1 | 4 | 100190 | 100190 | 100190 | 100190 |
| | Ramp Pivot Structure | 2 | 80627 | 80627 | 80627 | 80627 |
| | Hex Screw (Pivot Track) 1/2NC x 1 3/4 Gr.5 | 6 | 80453 | 80453 | 80453 | 80453 |
| | Lock Washer 1/2 | 6 | 100125 | 100125 | 100125 | 100125 |
| | Hex Nut 1/2-13NC | 6 | 100124 | 100124 | 100124 | 100124 |
| 19 | Track Stop Angle | 2 | 80629 | 80629 | 80629 | 80629 |
| | Angle Retainer | 2 | 80630 | 80630 | 80630 | 80630 |
| | Hex Screw (Stop-Track) 1/2-13NCx1 3/4 Gr.5 | 6 | 80453 | 80453 | 80453 | 80453 |
| | Lock Washer 1/2 | 6 | 100125 | 100125 | 100125 | 100125 |
| | Hex Nut 1/2-13NC | 6 | 100124 | 100124 | 100124 | 100124 |
| 20 | Handle-Pivot Tube-Linkage (See Breakdown)p 6 | 1 | - | - | - | - |

PANZITTA SALES & SERVICE
72 George Avenue
Wilkes-Barre, PA 18705
570-822-6720 800-822-6720
www.panzittasales.com

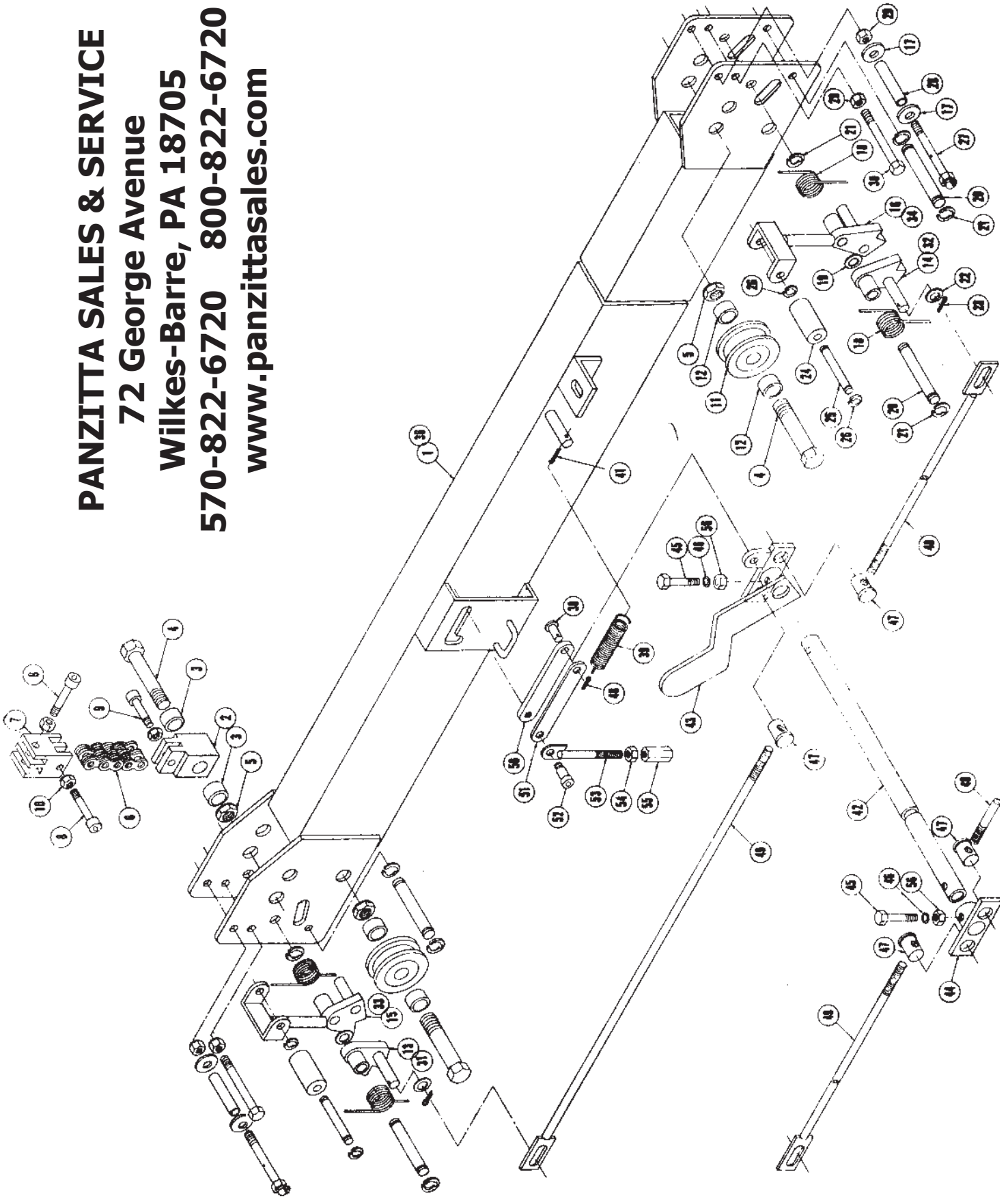
LIFT PARTS
LMT 12 - SST 12 - LMT 9 - SST 9

| Code | Part Name | Qty. | LMT 12 | SST 12 | LMT 9 | SST 9 |
|--------------------|---|------|--------|--------|--------|--------|
| 21 | PU Assy. 1Ø Orifice .093 WE See Brk. Down | 1 | 82959 | 82959 | 82959 | 82959 |
| 22 | PU Assy. 3Ø Orifice .093 WE See Brk. Down | 1 | 82960 | 82960 | 82960 | 82960 |
| 21 | PU Assy. 1Ø Orifice .093 MTE See Brk. Down | 1 | 82965 | 82965 | 82965 | 82965 |
| 21 | PU Assy. 3Ø Orifice .093 MTE See Brk. Down | 1 | 82966 | 82966 | 82966 | 82966 |
| | Hex Screw (Mt. PU) 5/16-18NC x 7/8 | 4 | 100198 | 100198 | 100198 | 100198 |
| | Lock Washer 5/16 | 4 | 100159 | 100159 | 100159 | 100159 |
| | Hex Nut 5/16-18NC | 4 | 100102 | 100102 | 100102 | 100102 |
| # | Connecting Body 1Ø-3 Wire Ground | 1 | 80136 | 80136 | 80136 | 80136 |
| # | Connecting Body 3Ø-4 Wire Ground | 1 | 80140 | 80140 | 80140 | 80140 |
| 22 | 90° Male Elbow 9/16 ORB x 3/4 JIC | 2 | 82056 | 82056 | 82056 | 82056 |
| 23 | Hex Nipple 3/8 NPT x 1/4 NPT (MTE Only) | 1 | 61496 | 61496 | 61496 | 61496 |
| 24 | Coupling 1/4 NPT (MTE Only) | 1 | 82066 | 82066 | 82066 | 82066 |
| 25 | Dry Pressure Gauge 1/4 NPT Stud | 1 | 80124 | 80124 | 80124 | 80124 |
| 26 | 1/2 ID Hose Ass'y. - Long 3/4 JIC | 1 | 80125 | 80125 | 80125 | 80125 |
| 27 | 1/2 ID Hose Ass'y. - Short 3/4 JIC | 1 | 80126 | 80126 | 80126 | 80126 |
| 29 | 90° Male Elbow 3/4 ORB x 3/4 JIC | 2 | 80131 | 80131 | 80131 | 80131 |
| 30 | Shim Kit (32 Shims) | 1 | 80589 | 80589 | 80589 | 80589 |
| # | Tire Chock Structure | 1 | 80050 | 80050 | 80050 | 80050 |
| # | Decal "BEN PEARSON" Horizontal | 1 | 82344 | 82344 | 82344 | 82344 |
| # | Decal "LMT" | 1 | 82346 | - | 82346 | - |
| # | Decal "12" | 1 | 82349 | 82349 | - | - |
| # | Decal "9" | 1 | - | - | 82348 | 82348 |
| # | Decal "BEN PEARSON" Vertical | 1 | 82345 | 82345 | 82345 | 82345 |
| # | Decal "SST" | 1 | - | 83491 | - | 83491 |
| # | Installation & Operational Manual | 1 | 83489 | 83489 | 83489 | 83489 |
| # | Parts Manual | 1 | 83490 | 83490 | 83490 | 83490 |
| # | Ali Safety Manual | 1 | 82974 | 82974 | 82974 | 82974 |
| # | Blue Paint | 1 | 82780 | 82780 | 82780 | 82780 |
| # | Yellow Paint | 1 | 82781 | 82781 | 82781 | 82781 |
| # | NOT SHOWN | | | | | |
| OPTIONAL EQUIPMENT | | | | | | |
| | 90° Support-Power Unit | 1 | 80166 | 80166 | 80166 | 80166 |
| | Hex Screw 5/16-18NC x 7/8 | 2 | 100198 | 100198 | 100198 | 100198 |
| | Lock Washer 5/16 | 2 | 100159 | 100159 | 100159 | 100159 |
| | Hex Nut 5/16-18NC | 2 | 100102 | 100102 | 100102 | 100102 |
| | Drive Thru Track Kit - Consists Of: | 1 | 80807 | 80807 | 80807 | 80807 |
| | Ramp Structure | 2 | 80631 | 80631 | 80631 | 80631 |
| | Ramp Pivot Structure | 2 | 80627 | 80627 | 80627 | 80627 |
| | Rod | 2 | 80069 | 80069 | 80069 | 80069 |
| | Cotter Pin 1/8 x 1 | 4 | 100190 | 100190 | 100190 | 100190 |
| | Free Wheeler Device Assembly - Consists Of: | 1 | 80980 | 80980 | 80980 | 80980 |
| | Narrow Side Assembly | 2 | 80335 | 80335 | 80335 | 80335 |
| | Muffler Guard Kit | 1 | 83088 | 83088 | 83088 | 83088 |

PANZITTA SALES & SERVICE
72 George Avenue
Wilkes-Barre, PA 18705
570-822-6720 800-822-6720
www.panzittasales.com

FRONT CROSS TUBE
PIVOT TUBE - LINKAGE
LMT 12 - SST 12 - LMT 9 - SST 9

PANZITTA SALES & SERVICE
72 George Avenue
Wilkes-Barre, PA 18705
570-822-6720 800-822-6720
www.panzittasales.com



FRONT CROSS TUBE - REAR CROSS TUBE
LMT 12 - SST 12 - LMT 9 - SST 9

| Code | Part Name | Qty. | LMT 12 | LMT 9 | SST 12 | SST 9 |
|------|---|------|--------|--------|--------|--------|
| - | Front Cross Tube Ass'y. (Consists of 1-30) | 1 | 81120 | 81060 | 81060 | 81129 |
| 1 | Front Cross Tube Structure | 1 | 81122 | 81062 | 81062 | 81131 |
| 2 | Chain Retainer - Lower | 1 | 81083 | 81083 | 81083 | 81083 |
| 3 | Spacer (.719 Long) | 2 | 81084 | 81084 | 81084 | 81084 |
| 4 | Hex Screw 3/4-16 NF x 4 Gr. 5 | 3 | 80033 | 80033 | 80033 | 80033 |
| 5 | Thin Nut - Nylock 3/4-16 NF | 3 | 80034 | 80034 | 80034 | 80034 |
| 6 | Chain - Extension | 1 | 81085 | 81085 | 81085 | 81085 |
| 7 | Chain Retainer - Upper | 1 | 81086 | 81086 | 81086 | 81086 |
| 8 | Soc. Hd. Cap Screw (Sp.) 5/16-18 NC x 2 | 2 | 80756 | 80756 | 80756 | 80756 |
| 9 | Soc. Hd. Cap Screw (Sp.) 5/16-18 NC x 1 3/4 | 1 | 81185 | 81185 | 81185 | 81185 |
| 10 | Hex Nut - Nylock 5/16-18 NC | 3 | 80064 | 80064 | 80064 | 80064 |
| 11 | Yoke Roller | 2 | 80028 | 80028 | 80028 | 80028 |
| 12 | Spacer (.531) | 4 | 81067 | 81067 | 81067 | 81067 |
| 13 | Latch Structure - Catch LH | 1 | 81068 | 81068 | 81068 | 81068 |
| 14 | Latch Structure - Catch RH | 1 | 81069 | 81069 | 81069 | 81069 |
| 15 | Latch Structure - Slack Chain LH | 1 | 81074 | 81074 | 81074 | 81074 |
| 16 | Latch Structure - Slack Chain RH | 1 | 81075 | 81075 | 81075 | 81075 |
| 17 | Flat Washer (Hardened) 1 1/4 x 13/32 x 1/8 | 4 | 81206 | 81206 | 81206 | 81206 |
| 18 | Torsion Spring | 4 | 81072 | 81072 | 81072 | 81072 |
| 19 | Flat Washer 13 Ga. (For 5/8") | 2 | 100155 | 100155 | 100155 | 100155 |
| 20 | Shaft 5/8 Dia. | 4 | 81073 | 81073 | 81073 | 81073 |
| 21 | Retaining Ring 5/8 | 8 | 100276 | 100276 | 100276 | 100276 |
| 22 | Flat Washer 16 Ga. (For 1/2") | 2 | 100062 | 100062 | 100062 | 100062 |
| 23 | Cotter Pin 1/8 x 3/4 | 2 | 100175 | 100175 | 100175 | 100175 |
| 24 | Roller | 2 | 81079 | 81079 | 81079 | 81079 |
| 25 | Shaft 3/8 Dia. | 2 | 81080 | 81080 | 81080 | 81080 |
| 26 | Retaining Ring 3/8 | 4 | 80683 | 80683 | 80683 | 80683 |
| 27 | Hex Screw w/Grease Fitting 3/8-16 NC (Sp.) | 2 | 81479 | 81479 | 81479 | 81479 |
| 28 | Tube Spacer | 2 | 81176 | 81176 | 81176 | 81176 |
| 29 | Hex Nut - Nylock 3/8-16 NC | 4 | 81082 | 81082 | 81082 | 81082 |
| 30 | Hex Screw 3/8-16NC x 4 Gr. 5 | 2 | 81081 | 81081 | 81081 | 81081 |
| - | Rear Cross Tube Ass'y. (Ref. Front Tube Layout) | 1 | 81119 | 81059 | 81059 | 81128 |
| 36* | Rear Cross Tube Structure | 1 | 81121 | 81061 | 81061 | 81130 |
| 2 | Chain Retainer - Lower | 1 | 81083 | 81083 | 81083 | 81083 |
| 3 | Spacer (.719) | 2 | 81084 | 81084 | 81084 | 81084 |
| 4 | Hex Screw 3/4-16 NF x 4 Gr. 5 | 3 | 80033 | 80033 | 80033 | 80033 |
| 5 | Thin Nut - Nylock 3/4 - 16 NF | 3 | 80034 | 80034 | 80034 | 80034 |
| 6 | Chain - Extension | 1 | 81085 | 81085 | 81085 | 81085 |
| 7 | Chain Retainer - Upper | 1 | 81086 | 81086 | 81086 | 81086 |
| 8 | Soc. Hd. Cap Screw (Sp.) 5/16-18 NC x 2 | 2 | 80756 | 80756 | 80756 | 80756 |
| 9 | Soc. Hd. Cap Screw 5/16-18 NC x 1 3/4 | 1 | 81185 | 81185 | 81185 | 81185 |
| 10 | Hex Nut - Nylock 5/16-18 NC | 3 | 80064 | 80064 | 80064 | 80064 |
| 11 | Yoke Roller | 2 | 80028 | 80028 | 80028 | 80028 |
| 12 | Spacer (.531) | 4 | 81067 | 81067 | 81067 | 81067 |
| 31* | Latch Structure - Catch RH | 1 | 81069 | 81069 | 81069 | 81069 |
| 32* | Latch Structure - Catch LH | 1 | 81068 | 81068 | 81068 | 81068 |
| 33* | Latch Structure - Slack Chain RH | 1 | 81075 | 81075 | 81075 | 81075 |
| 34* | Latch Structure - Slack Chain LH | 1 | 81074 | 81074 | 81074 | 81074 |
| * | NOT PICTURED CORRECTLY | | | | | |

PANZITTA SALES & SERVICE
72 George Avenue
Wilkes-Barre, PA 18705
570-822-6720 800-822-6720
www.panzittasales.com

PANZITTA SALES & SERVICE
72 George Avenue
Wilkes-Barre, PA 18705
570-822-6720 800-822-6720
www.panzittasales.com

REAR CROSS TUBE (Continued)
PIVOT TUBE - LINKAGE
LMT 12 - SST 12 - LMT 9 - SST 9

| Code | Part Name (Rear Cross Tube Continued) | Qty. | LMT 12 | LMT 9 | SST 12 | SST 9 |
|------|--|------|--------|--------|--------|--------|
| 17 | Flat Washer (Hardened) 1 1/4 x 13/32 x 1/8 | 4 | 81206 | 81206 | 81206 | 81206 |
| 18 | Torsion Spring | 4 | 81072 | 81072 | 81072 | 81072 |
| 19 | Flat Washer 13 Ga. (For 5/8) | 2 | 100155 | 100155 | 100155 | 100155 |
| 20 | Shaft 5/8 Dia. | 4 | 81073 | 81073 | 81073 | 81073 |
| 21 | Retainer Ring 5/8 | 8 | 100276 | 100276 | 100276 | 100276 |
| 22 | Flat Washer 16 Ga. (For 1/2) | 2 | 100062 | 100062 | 100062 | 100062 |
| 23 | Cotter Pin 1/8 x 3/4 | 2 | 100175 | 100175 | 100175 | 100175 |
| 24 | Roller | 2 | 81079 | 81079 | 81079 | 81079 |
| 25 | Shaft 3/8 Dia. | 2 | 81080 | 81080 | 81080 | 81080 |
| 26 | Retaining Ring 3/8 | 4 | 80683 | 80683 | 80683 | 80683 |
| 27 | Hex Screw w/Grease Fitting 3/8-16 NC (Sp.) | 2 | 81479 | 81479 | 81479 | 81479 |
| 28 | Tube Spacer | 2 | 81176 | 81176 | 81176 | 81176 |
| 29 | Hex Nut - Nylock 3/8 - 16 NC | 4 | 81082 | 81082 | 81082 | 81082 |
| 30 | Hex Screw 3/8-16 NC x 4 Gr. 5 | 2 | 81081 | 81081 | 81081 | 81081 |
| | (See Front Cross Tube Layout) | | | | | |
| 38 | Pin | 1 | 81103 | 81103 | 81103 | 81103 |
| 39 | Spring | 1 | 100154 | 100154 | 100154 | 100154 |
| 40 | Cotter Pin 1/8 x 3/4 | 1 | 100175 | 100175 | 100175 | 100175 |
| 41 | Cotter Pin 1/8 x 1 | 1 | 100190 | 100190 | 100190 | 100190 |
| 42 | Tube Structure - Pivot | 1 | 81112 | 81087 | 81087 | 81087 |
| 43 | Handle Structure - Trip Release | 1 | 81088 | 81088 | 81088 | 81088 |
| 44 | Pivot Structure - Trip Release | 1 | 81092 | 81092 | 81092 | 81092 |
| 45 | Hex Screw 5/16-18NC x 1 1/2 Gr. 5 | 2 | 81483 | 81483 | 81483 | 81483 |
| 46 | Lock Washer 5/16 | 2 | 100159 | 100159 | 100159 | 100159 |
| 47 | Pin - Pivot | 4 | 81095 | 81095 | 81095 | 81095 |
| 48 | Adjusting Rod Str. - Long | 2 | 81113 | 81096 | 81096 | 81139 |
| 49 | Adjusting Rod Str. - Short | 2 | 81115 | 81099 | 81099 | 81707 |
| 50 | Bar - Tapped | 1 | 81102 | 81102 | 81102 | 81102 |
| 51 | Bar | 1 | 81101 | 81101 | 81101 | 81101 |
| 52 | Shoulder Screw 5/16 NC | 1 | 81107 | 81107 | 81107 | 81107 |
| 53 | Rod Structure 3/8 Dia. | 1 | 81251 | 81251 | 81251 | 81251 |
| 54 | Hex Nut 3/8-16NC | 1 | 100127 | 100127 | 100127 | 100127 |
| 55 | Nut - Special 3/8-16NC | 1 | 81253 | 81253 | 81253 | 81253 |
| 56 | Hex Nut 5/16-18NC | 2 | 100102 | 100102 | 100102 | 100102 |