

PANZITTA SALES & SERVICE
72 George Avenue
Wilkes-Barre, PA 18705
570-822-6720 800-822-6720
www.panzittasales.com

BEN PEARSON

PARTS MANUAL -

12000-4 MR POST LIFT
12000-4 S/N MR LIFT

12000 4 MR SN MR MANUAL RELEASE.max

PANZITTA SALES & SERVICE
 72 George Avenue
 Wilkes-Barre, PA 18705
 570-822-6720 800-822-6720
 www.panzittasales.com

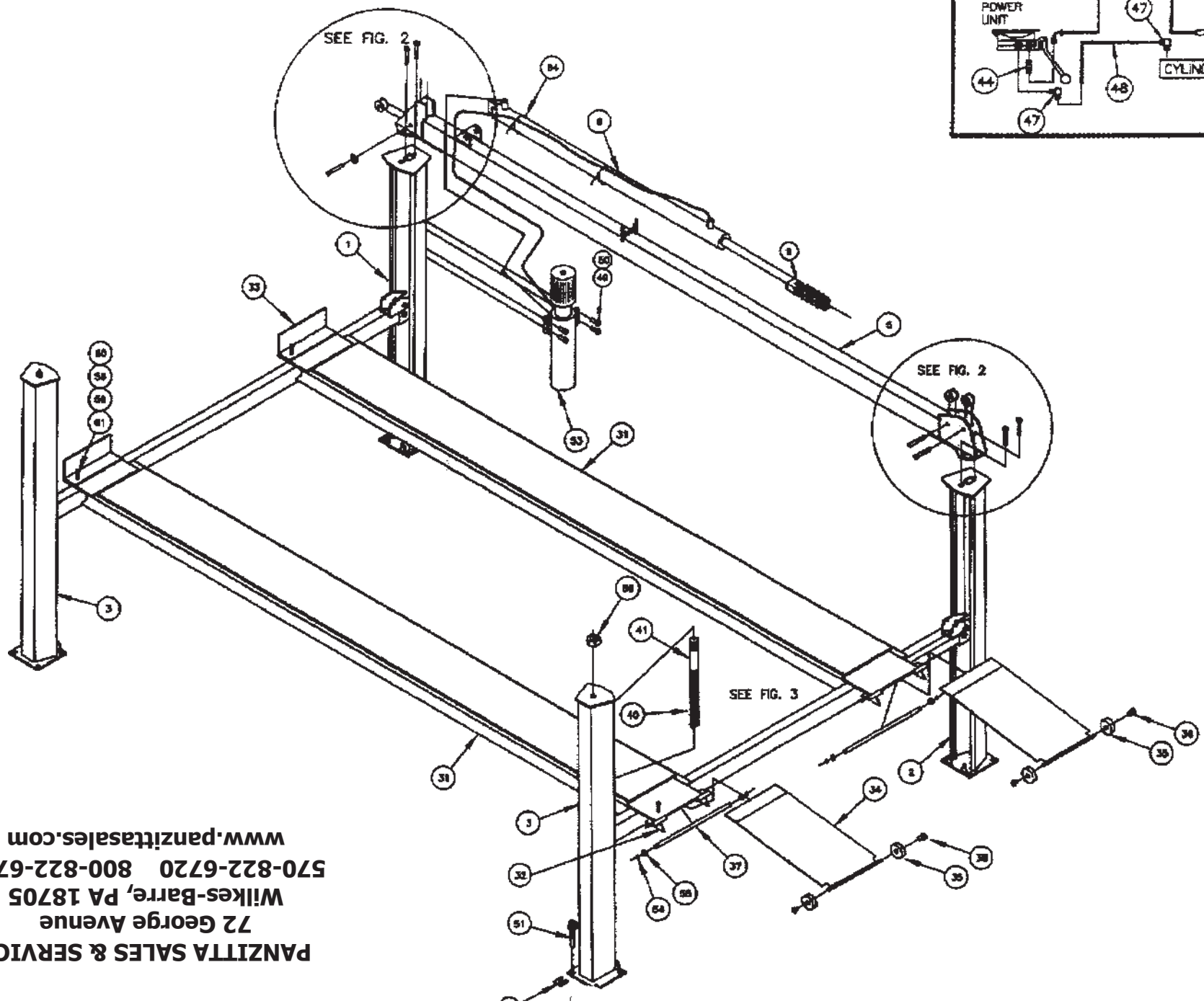
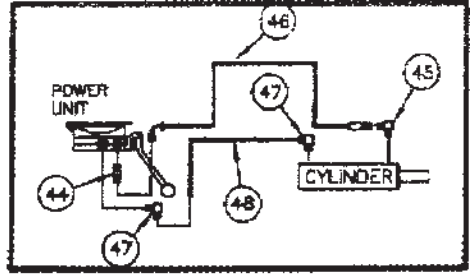


FIG. 1



PANZITTA SALES & SERVICE
72 George Avenue
Wilkes-Barre, PA 18705
570-822-6720 800-822-6720
www.panzittasales.com

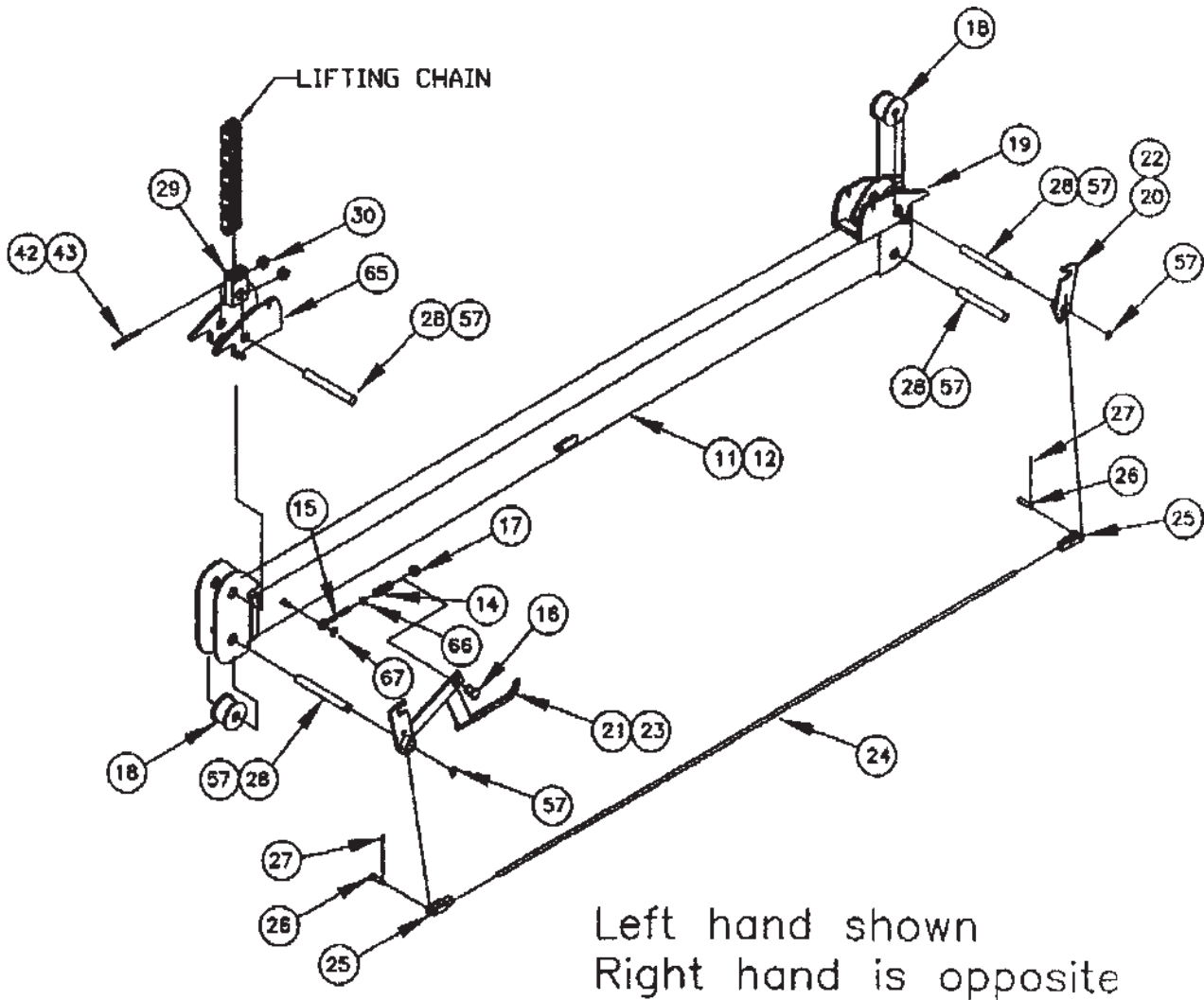
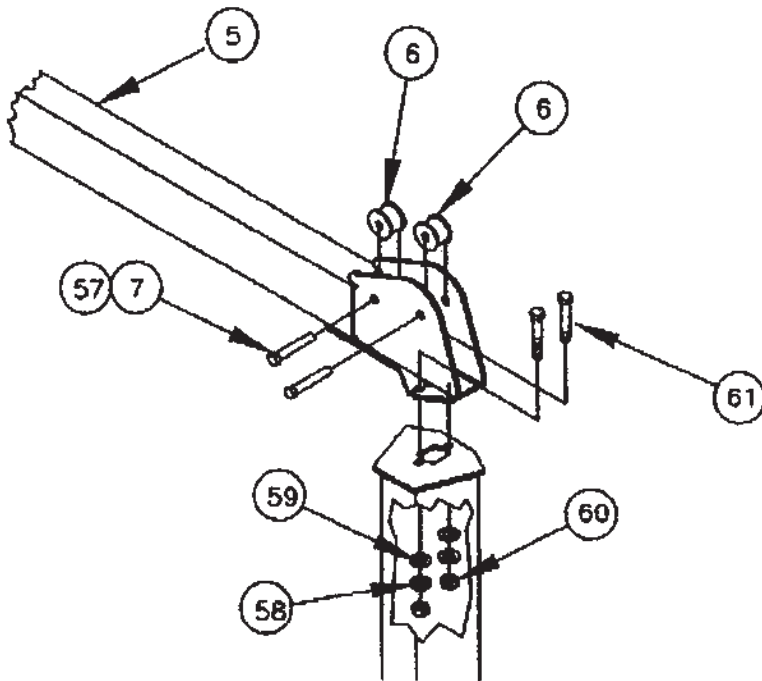
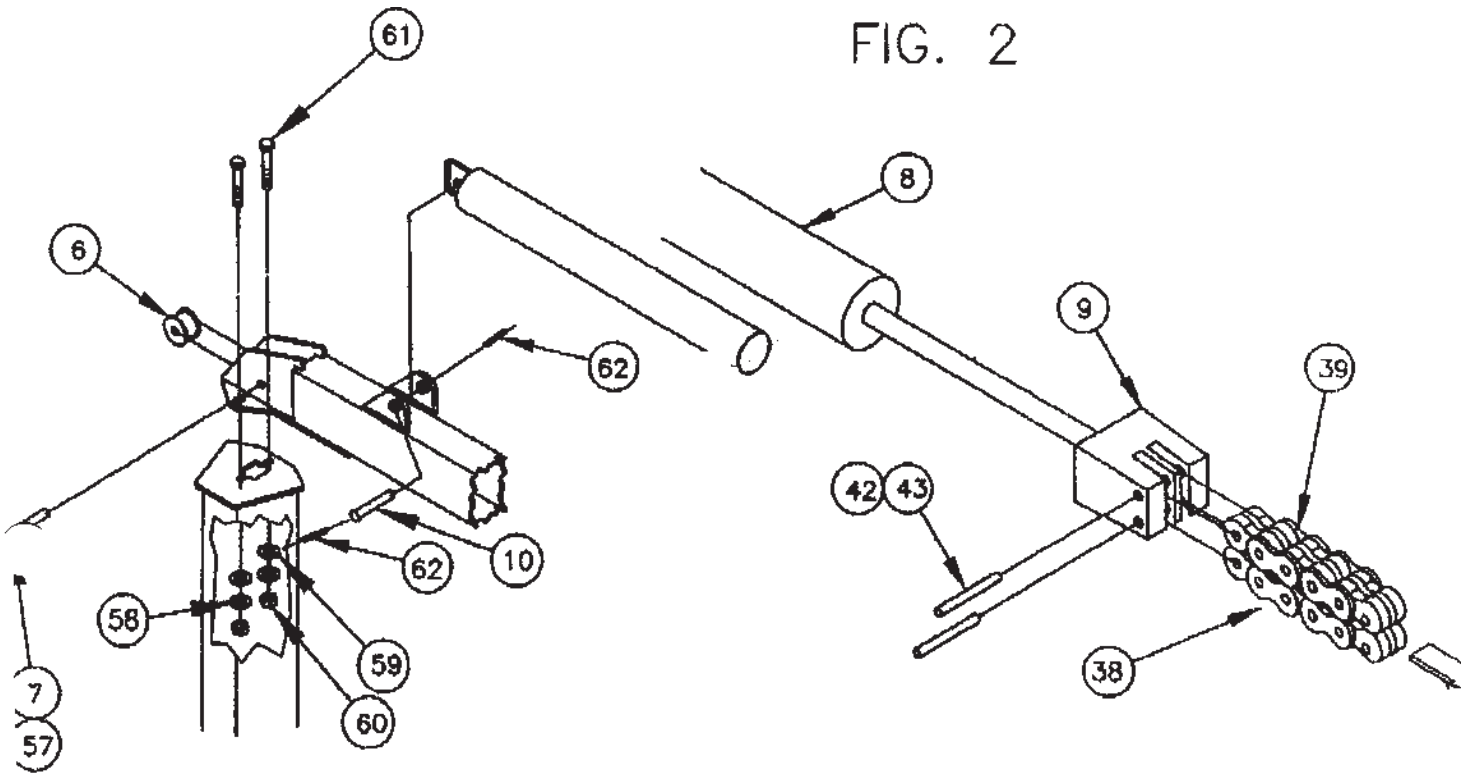


FIG. 2



12-4MR

| | MODEL | 12000-4 MR | 12000-4 MR S/N |
|----|-------------------------------------|------------|----------------|
| | LIFT PART NUMBER | 90097 | QT |
| 1 | POST STRUCTURE - MAIN P/U | 91794 | 1 |
| 2 | POST STRUCTURE - MAIN REAR | 91802 | 1 |
| 3 | POST STRUCTURE - OFFSIDE | 91804 | 2 |
| 5 | HORIZONTAL BEAM STR. | 91807 | 1 |
| 6 | SHEAVE ASSEMBLY | 91816 | 3 |
| 7 | SHAFT ASSEMBLY - UPPER, HORIZONTAL | 91862 | 3 |
| 8 | CYLINDER | 91132 | 1 |
| 9 | CHAIN ANCHOR - CYLINDER | 91776 | 1 |
| 10 | CYLINDER PIN | 91134 | 2 |
| | CROSS TUBE ASSEMBLY - LEFT HAND | 91930 | 1 |
| | CROSS TUBE ASSEMBLY - RIGHT HAND | 91952 | 1 |
| 11 | CROSS TUBE STRUCTURE LEFT ACTUATED | 91931 | 1 |
| 12 | CROSS TUBE STRUCTURE RIGHT ACTUATED | 91929 | 1 |
| 14 | SPRING - RELEASE LOCK | 91934 | 1 |
| 15 | BOLT - EYE | 91835 | 1 |
| 16 | PIVOT - RETURN SPRING | 91936 | 1 |
| 17 | NYLOCK NUT | 101009 | 1 |
| 18 | SHEAVE ASSEMBLY - CROSS CHAIN | 91825 | 2 |
| 19 | LATCH STRUCTURE, MANUAL RH | 91990 | 1 |
| 65 | LATCH STRUCTURE, MANUAL LH | 91991 | 1 |
| 20 | ARM STRUCTURE - LEFT ACTUATOR | 91940 | 1 |
| 21 | HANDLE STRUCTURE - LEFT ACTUATOR | 91943 | 1 |
| 22 | ARM STRUCTURE - RIGHT ACTUATOR | 91947 | 1 |
| 23 | HANDLE STRUCTURE - RIGHT ACTUATOR | 91948 | 1 |
| 24 | ROD - TIE | 91949 | 2 |
| 25 | END - YOKE, ADJUSTABLE | 91950 | 2 |
| 26 | PIN - CLEVIS, | 91951 | 2 |
| 27 | PIN - COTTER, | 100175 | 2 |
| 28 | SHAFT ASSEMBLY - UPPER, CROSSMEMBER | 91864 | 4 |
| 29 | ANCHOR - LIFTING CHAIN | 91775 | 1 |
| 30 | SPACER | 91859 | 2 |
| 66 | SPACER - SPRING | 91997 | 1 |
| 67 | RETAINER - EYE BOLT | 91998 | 1 |
| 31 | TRACK STRUCTURE | 91831 | 2 |
| 32 | BAR STRUCTURE - ADAPTER, RAMP | 91839 | 2 |
| 33 | STOP - TRACK END | 91772 | 2 |
| # | RAMP ASSEMBLY | 91865 | 2 |
| | 34 RAMP STRUCTURE | 91850 | 2 |
| | # TREAD PAPER | 56500 | 6 |
| | 35 ROLLER RAMP | 91793 | 4 |
| | 36 RETAINER | 91801 | 4 |
| 37 | PIN - HINGE, RAMP | 91792 | 2 |
| 38 | CHAIN - LONG SHORT | 91790 | 1 |
| 39 | CHAIN - SHORT | 91788 | 2 |
| 40 | CHAIN - CROSS SHORT | 91789 | 1 |
| 41 | ANCHOR - ADJUSTABLE | 91781 | 2 |
| 42 | PIN - CHAIN - LIFTING | 91778 | 4 |
| # | PIN - CHAIN - CROSSOVER | 91779 | 4 |
| 43 | RETAINING RING | 103032 | 16 |
| 44 | ADAPTER | 60544 | 1 |
| 45 | ELBOW | 105004 | 1 |
| 46 | HYDRAULIC HOSE | 91860 | 1 |
| 47 | MALE ELBOW | 105049 | 2 |
| 48 | 3/8" TUBING - BLACK | 91861 | 1 |

PANZITTA SALES & SERVICE
72 George Avenue
Wilkes-Barre, PA 18705
570-822-6720 800-822-6720
www.panzittasales.com

WEST CORPORATION;

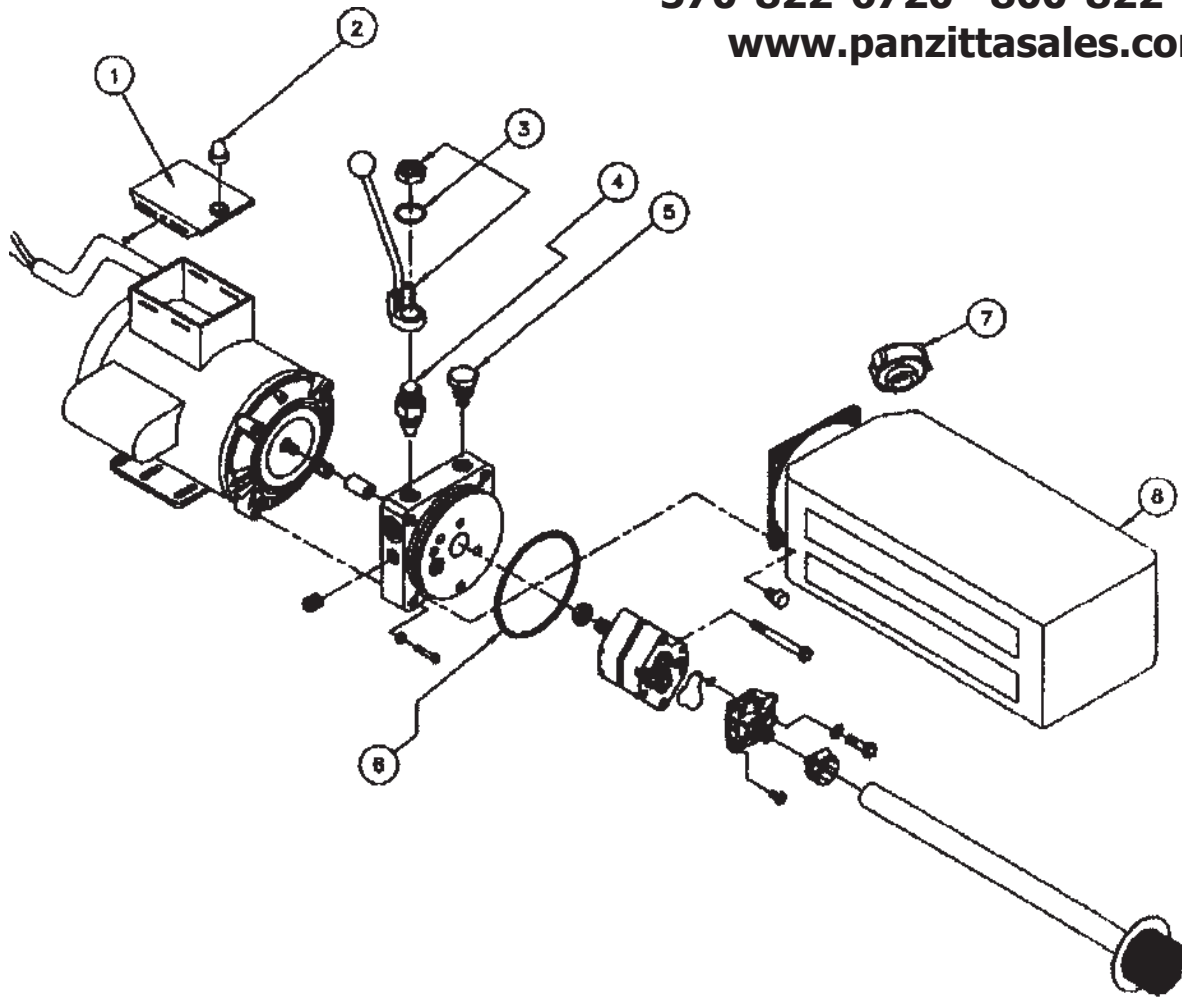
870 534 3177;

Dec-18-00 10:38AM;

Page 6/7

| # | HARDWARW KIT - POWER UNIT | LIFT PART NUMBER | 90097 | QT | 90133 | QT |
|----|-------------------------------|------------------|--------|----|--------|----|
| | 49 HHFL SCREW | | 95009 | 1 | 95009 | 1 |
| | 50 HH FL NUT | | 100234 | 4 | 100234 | 4 |
| | | | 100237 | 4 | 100237 | 4 |
| 51 | ANCHOR BOLT | | 9500 | 16 | 9500 | 16 |
| 52 | SHIMS | | 95001 | 24 | 95001 | 24 |
| 53 | POWER UNIT | | 95011 | 1 | 95011 | 1 |
| 54 | SNAP RINGS | | 103000 | 8 | 103000 | 8 |
| 55 | FLATWASHER | | 100512 | 10 | 100512 | 10 |
| 56 | NYLOCK NUT | | 101035 | 2 | 101035 | 2 |
| 57 | 1" SNAP RING | | 103029 | 13 | 103029 | 13 |
| 58 | LOCKWASHER | | 100125 | 20 | 100125 | 20 |
| 59 | FLATWASHER | | 100152 | 36 | 100152 | 36 |
| 60 | HEX NUT | | 100124 | 20 | 100124 | 20 |
| 61 | HEX SCREW | | 100016 | 20 | 100016 | 20 |
| 62 | ROLL PIN | | 103003 | 2 | 103003 | 2 |
| # | KFR - 17 RELIEF VALVE | | 105028 | 1 | 105028 | 1 |
| # | NAME PLATE | | 62249 | 1 | 62249 | 1 |
| 64 | PLASTIC TIE | | 103015 | 3 | 103015 | 3 |
| # | BEN PEARSON DECAL | | 95005 | 2 | 95005 | 2 |
| # | PB1800 DECAL 2 X 5 MYLAR | | 95006 | 1 | 95006 | 1 |
| # | CAUTION DECAL | | 95008 | 1 | 95008 | 1 |
| # | MANUAL | | 95085 | 1 | 95085 | 1 |
| # | BLUE TOUCH-UP PAINT (SPRAY) | | 103007 | 1 | 103007 | 1 |
| # | YELLOW TOUCH-UP PAINT (SPRAY) | | 103008 | 1 | 103008 | 1 |

PANZITTA SALES & SERVICE
72 George Avenue
Wilkes-Barre, PA 18705
570-822-6720 800-822-6720
www.panzittasales.com



| ITEM NO. | DESCRIPTION | PART # | QTY. |
|----------|-------------------------|--------|------|
| 1 | MICROSWITCH WIRING ASSY | 95086 | 1 |
| 2 | MICROSWITCH BOOT | 95075 | 1 |
| 3 | MANUAL RELEASE ASSY | 95041 | 1 |
| 4 | MANUAL RELEASE VALVE | 95035 | 1 |
| 5 | VALVE CARTRIDGE CHECK | 95036 | 1 |
| 6 | RESERVOIR O-RING | 95076 | 1 |
| 7 | BREATHER | 95044 | 1 |
| 8 | RESERVOIR | 95040 | 1 |