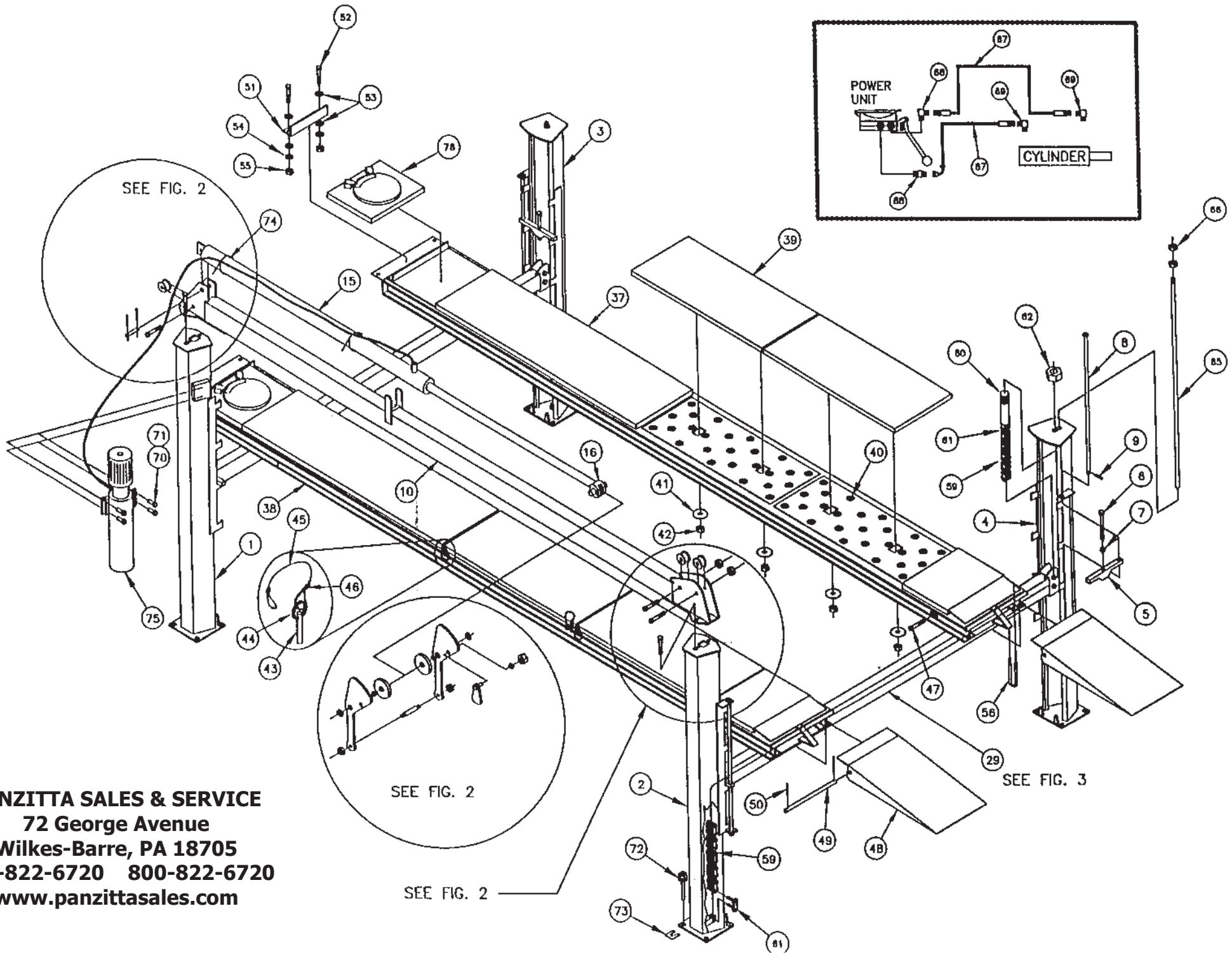


BEN PEARSON

**PARTS MANUAL - 12000 ALIGNMENT
4 POST LIFT**

**PANZITTA SALES & SERVICE
72 George Avenue
Wilkes-Barre, PA 18705
570-822-6720 800-822-6720
www.panzittasales.com**



PANZITTA SALES & SERVICE
72 George Avenue
Wilkes-Barre, PA 18705
570-822-6720 800-822-6720
www.panzittasales.com

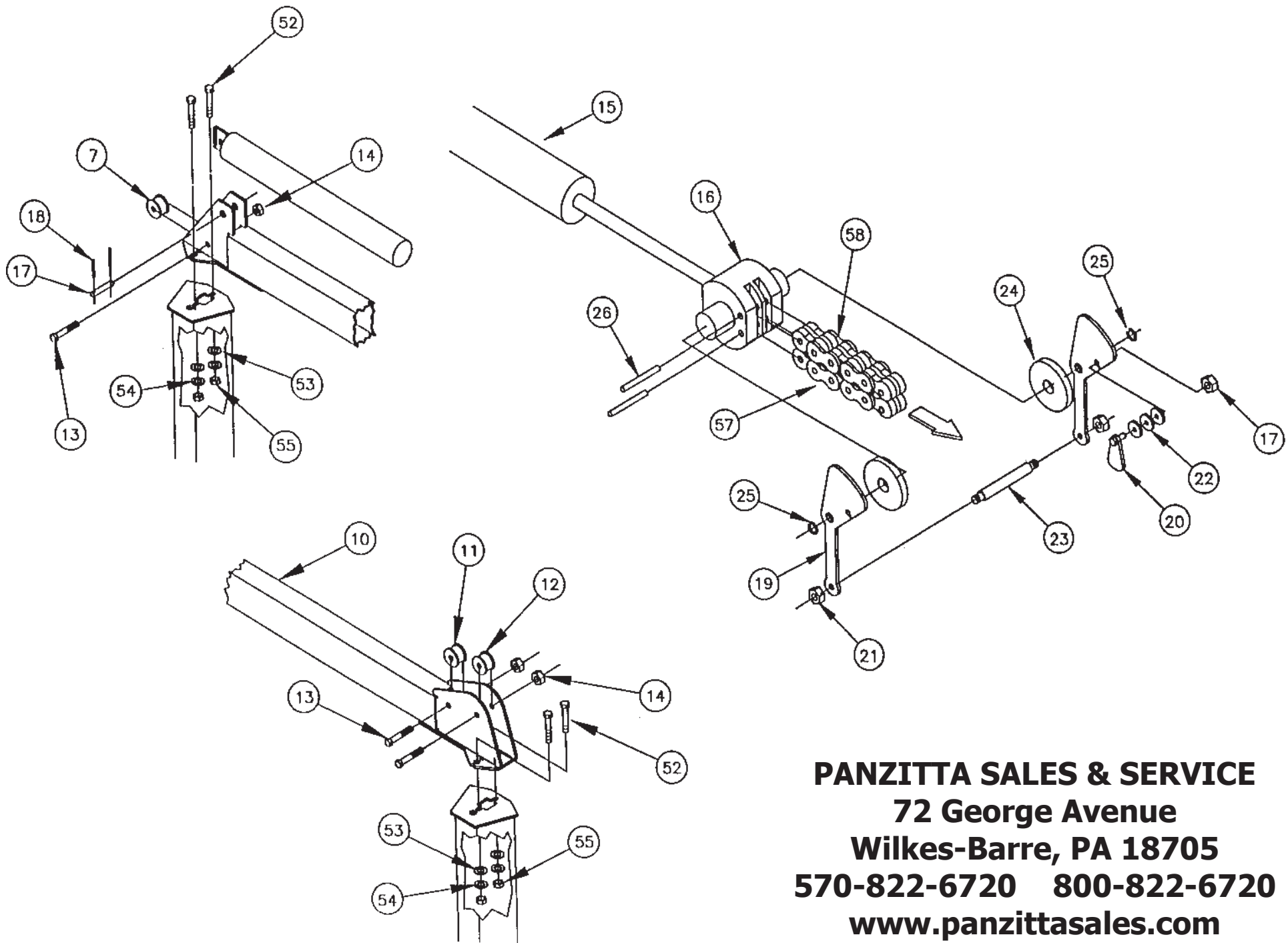
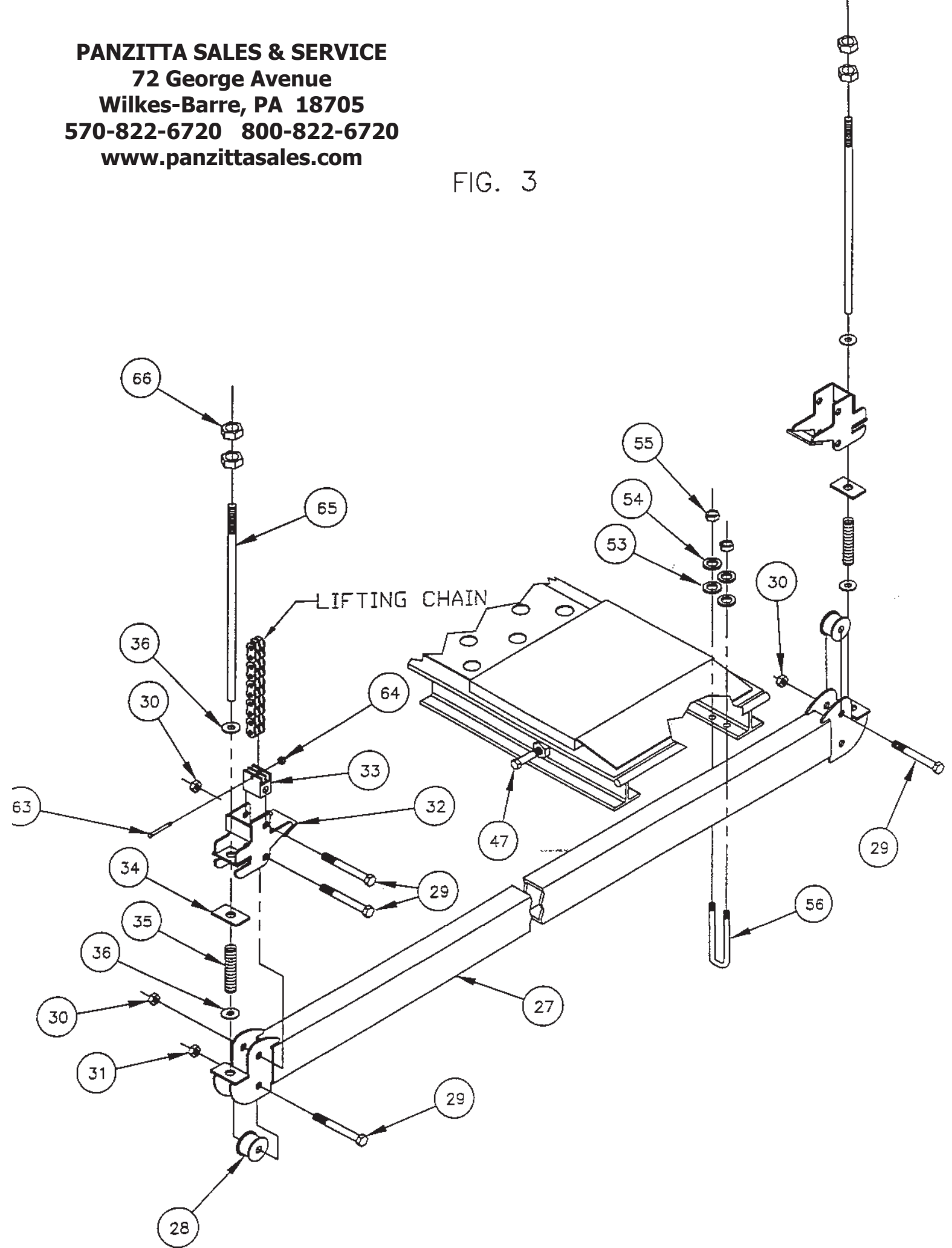


FIG. 2

PANZITTA SALES & SERVICE
72 George Avenue
Wilkes-Barre, PA 18705
570-822-6720 800-822-6720
www.panzittasales.com

PANZITTA SALES & SERVICE
72 George Avenue
Wilkes-Barre, PA 18705
570-822-6720 800-822-6720
www.panzittasales.com

FIG. 3



LEFT HAND TRACK ONLY

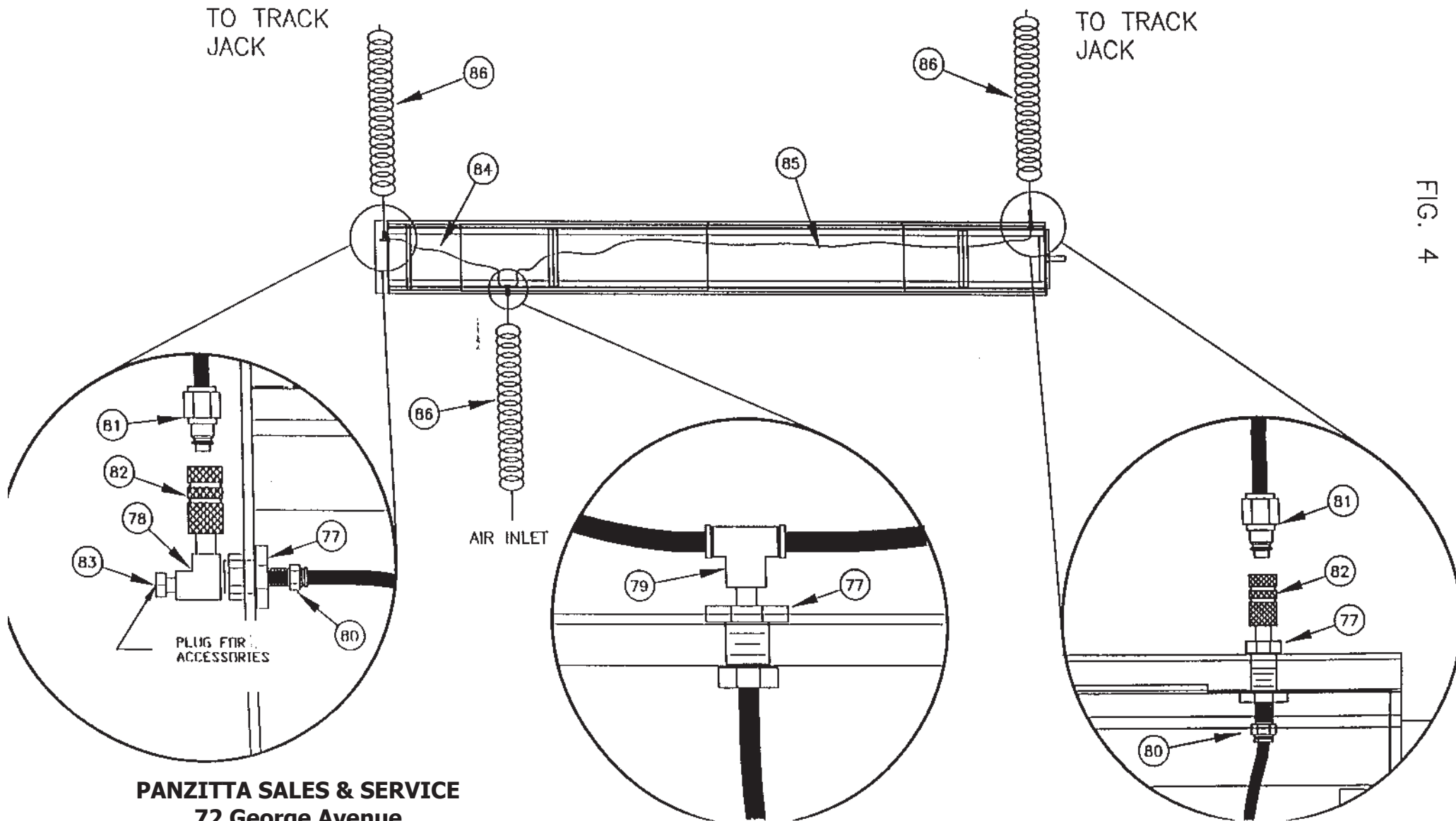


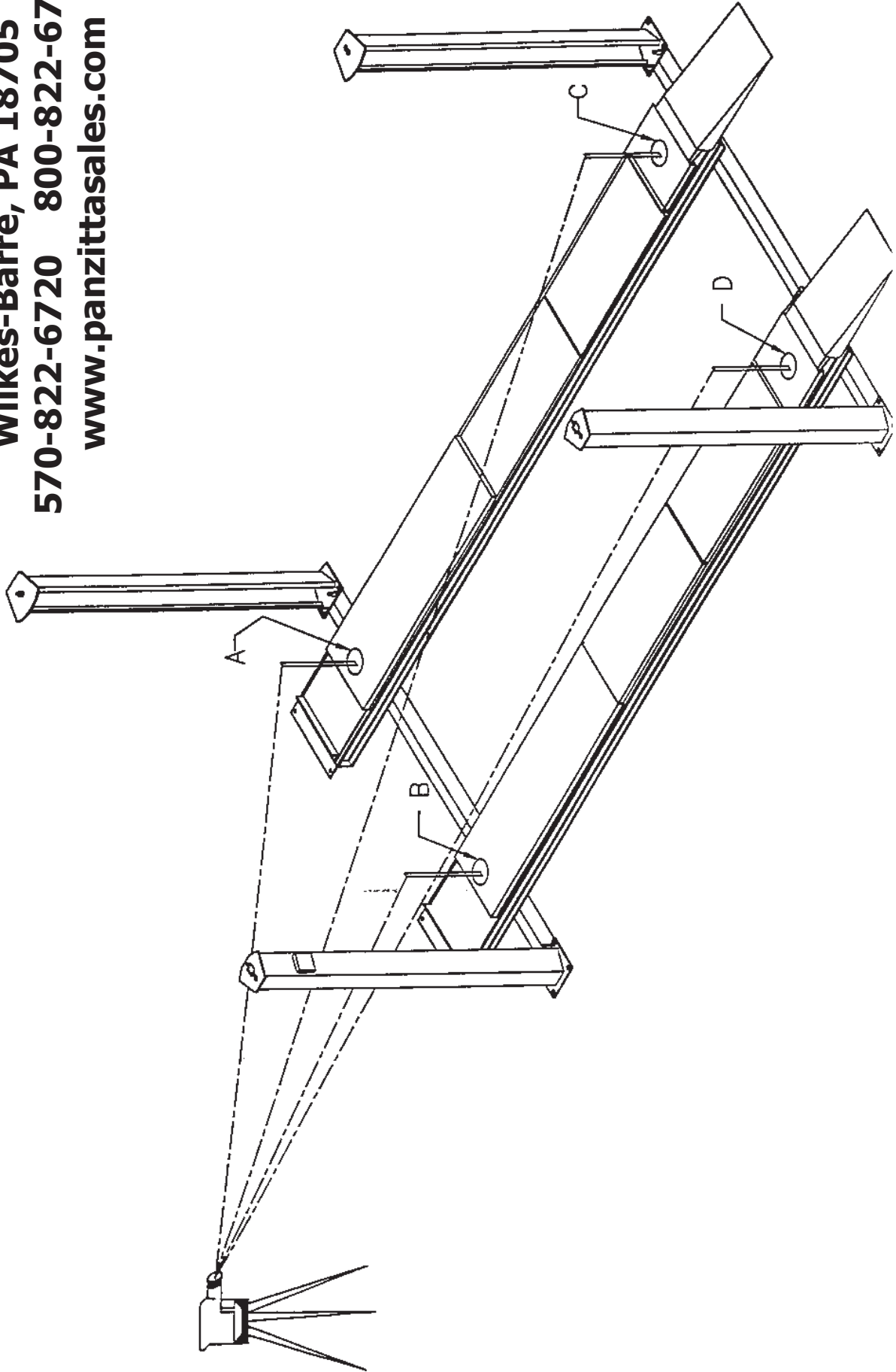
FIG. 4

BP 12000 AL.max

PANZITTA SALES & SERVICE
72 George Avenue
Wilkes-Barre, PA 18705
570-822-6720 800-822-6720
www.panzittasales.com

PANZITTA SALES & SERVICE
72 George Avenue
Wilkes-Barre, PA 18705
570-822-6720 800-822-6720
www.panzittasales.com

FIG: 5



PANZITTA SALES & SERVICE
72 George Avenue
Wilkes-Barre, PA 18705
570-822-6720 800-822-6720
www.panzittasales.com

11/18/98

PARTS LISTING

		LIFT MODEL		12000-AL		12000-AS		12000-4 ML	
		LIFT PART NUMBER		90008	QT	90032	QT	90036	QT
#	POST ASSEMBLY - MAIN P/U	91300	1	91300	1	91300	1	91300	1
	1 POST STRUCTURE - MAIN P/U	91301	1	91301	1	91301	1	91301	1
	5 LEVELING BAR	91305	1	91305	1	91305	1	91305	1
	6 LEVELING SCREW STR.	91306	1	91306	1	91306	1	91306	1
	7 HEX NUT	100161	1	100161	1	100161	1	100161	1
	8 LEVELING ROD SUPPORT STR	91308	1	91308	1	91308	1	91308	1
	9 ROLL PIN	103003	1	103003	1	103003	1	103003	1
#	POST ASSEMBLY - MAIN REAR	91310	1	91310	1	91310	1	91310	1
	2 POST STRUCTURE - MAIN REAR	91311	1	91311	1	91311	1	91311	1
	5 LEVELING BAR	91305	1	91305	1	91305	1	91305	1
	6 LEVELING SCREW STR.	91306	1	91306	1	91306	1	91306	1
	7 HEX NUT 3/4-10 NC	100161	1	100161	1	100161	1	100161	1
	8 LEVELING ROD SUPPORT STR	91308	1	91308	1	91308	1	91308	1
	9 ROLL PIN	103003	1	103003	1	103003	1	103003	1
#	POST ASSEMBLY - OFFSIDE FRONT	91312	1	91312	1	91312	1	91312	1
	3 POST STRUCTURE - OFFSIDE FRONT	91313	1	91313	1	91313	1	91313	1
	5 LEVELING BAR	91305	1	91305	1	91305	1	91305	1
	6 LEVELING SCREW STR.	91306	1	91306	1	91306	1	91306	1
	7 HEX NUT	100161	1	100161	1	100161	1	100161	1
	8 LEVELING ROD SUPPORT STR	91308	1	91308	1	91308	1	91308	1
	9 ROLL PIN	103003	1	103003	1	103003	1	103003	1
#	POST ASSEMBLY - OFFSIDE REAR	91314	1	91314	1	91314	1	91314	1
	4 POST STRUCTURE - OFFSIDE REAR	91315	1	91315	1	91315	1	91315	1
	5 LEVELING BAR	91305	1	91305	1	91305	1	91305	1
	6 LEVELING SCREW STR.	91306	1	91306	1	91306	1	91306	1
	7 HEX NUT	100161	1	100161	1	100161	1	100161	1
	8 LEVELING ROD SUPPORT STR	91308	1	91308	1	91308	1	91308	1
	9 ROLL PIN	103003	1	103003	1	103003	1	103003	1
#	HORIZONTAL BEAM ASSEMBLY	91316	1	91316	1	91316	1	91119	1
	10 HORIZONTAL BEAM STR.	91318	1	91318	1	91318	1	91121	1
	11 BEARING ASSEMBLY- LARGE	91038	1	91038	1	91038	1	91038	1
	12 BEARING ASSEMBLY- SMALL	91130	2	91130	2	91130	2	91130	2
	13 HHS	101005	3	101005	3	101005	3	101005	3
	14 NYLON NUT	101001	3	101001	3	101001	3	101001	3
#	CYLINDER ASSEMBLY	91131	1	91131	1	91131	1	91131	1
	15 CYLINDER	91132	1	91132	1	91132	1	91132	1
	16 CYLINDER ADAPTER	91133	1	91133	1	91133	1	91133	1
	17 CYLINDER PIN	91134	1	91134	1	91134	1	91134	1
	18 ROLL PIN	103003	2	103003	2	103003	2	103003	2

BP 12000 AL.max

PANZITTA SALES & SERVICE
72 George Avenue
Wilkes-Barre, PA 18705
570-822-6720 800-822-6720
www.panzittasales.com

		LIFT MODEL	12000-AL	12000-AS	12000-4 ML			
		LIFT PART NUMBER	90008	QT	90032	QT	90036	QT
#	SAFTEY LATCH ASSY	91135	1	91135	1	91135	1	
	19 SIDE PLATE	91136	2	91136	2	91136	2	
	20 SAFTEY RELEASE STRUCTURE	91137	1	91137	1	91137	1	
	21 NYLON JAM NUT	101002	3	101002	3	101002	3	
	22 FLAT WASHER	100512	3	100512	3	100512	3	
	23 SAFTEY PIN	91139	1	91139	1	91139	1	
	24 ROLLER GUIDES	91140	2	91140	2	91140	2	
	25 SNAP RING	103006	2	103006	2	103006	2	
	26 CHAIN PIN	91141	2	91141	2	91141	2	
#	CROSS TUBE ASSEMBLY	91142	2	91142	2	91142	2	
	27 CROSS TUBE STRUCTURE	91143	1	91143	1	91143	1	
	28 BEARING ASSEMBLY- SMALL	91130	2	91130	2	91130	2	
	29 HHS	101005	4	101005	4	101005	4	
	30 NYLON JAM NUT	101002	3	101002	3	101002	3	
	31 NYLON NUT	101001	1	101001	1	101001	1	
	32 SLACK CHAIN STRUCTURE	91147	2	91147	2	91147	2	
	33 CHAIN ANCHOR	91150	1	91150	1	91150	1	
	34 SAFTEY LOCK BAR	91151	2	91151	2	91151	2	
	35 SPRING	103002	2	103002	2	103002	2	
	36 FLAT WASHER	100512	4	100512	4	100512	4	
	# SHIPPING PIN	91152	2	91152	2	91152	2	
#	RH TRACK ASSEMBLY	91320	1	91405	1	N/A		
	37 RH TRACK STRUCTURE	91321	1	91406	1	91153	1	
	39 SLIP PLATE STRUCTURE	91339	2	91339	2	N/A		
	40 CHROME STEEL BALL	103013	50	103013	50	N/A		
	41 WASHER	91343	4	91343	4	N/A		
	42 NYLON NUT	101001	4	101001	4	N/A		
	43 PIN	91344	4	91344	4	N/A		
	44 CHAIN RING	103014	4	103014	4	N/A		
	45 CABLE	91345	4	91345	4	N/A		
	46 CABLE CLAMP - SHUT OFF	91086	8	91086	8	N/A		
	47 HEX SCREW	100016	1	100016	1	N/A		
#	LH TRACK ASSEMBLY	91346	1	91407	1	N/A		
	38 LH TRACK STRUCTURE	91347	1	91408	1	91153	1	
	39 SLIP PLATE STRUCTURE	91339	2	91339	2	N/A		
	40 CHROME STEEL BALL	103013	50	103013	50	N/A		
	41 WASHER	91343	4	91343	4	N/A		
	42 NYLON NUT	101001	4	101001	4	N/A		
	43 PIN	91344	4	91344	4	N/A		
	44 CHAIN RING	103014	4	103014	4	N/A		
	45 CABLE	91345	4	91345	4	N/A		
	46 CABLE CLAMP - SHUT OFF	91086	8	91086	8	N/A		
	47 HEX SCREW	100016	1	100016	1	N/A		
48	RAMP (STANDARD)	91349	2	91349	2	91254	2	
	RAMP (OPTIONAL)	91409	2	91409	2	N/A		
49	ROD - RAMP 12A	91350	2	91350	2	N/A		
50	ROLL PIN -	103003	4	103003	4	N/A		
51	TIRE STOP	91220	2	91220	2	91162	2	
52	HEW SCREW	100016	8	100016	8	100016	8	
53	FLATWASHER	100152	28	100152	28	100152	12	
54	LOCKWASHER	100125	24	100125	24	100125	8	

PANZITTA SALES & SERVICE
72 George Avenue
Wilkes-Barre, PA 18705
570-822-6720 800-822-6720
www.panzittasales.com

		LIFT MODEL		12000-AL		12000-AS		12000-4 ML	
		LIFT PART NUMBER	90008	QT	90032	QT	90036	QT	
55	HEX NUT	100124	20		100124	20	100124	8	
56	U-BOLT	101016	4		101016	4	N/A		
57	LIFTING CHAIN	91352	1		91352	1	91164	1	
58	LIFTING CHAIN	91353	1		91353	1	91165	1	
#	CROSS CHAIN ASSEMBLY	91166	2		91166	2	91166	2	
	59 CHAIN	91167	1		91167	1	91167	1	
	60 CHAIN ANCHOR STUD 12K	91168	1		91168	1	91168	1	
	61 MASTER LINK BL634	91036	2		91036	2	91036	2	
	62 NYLON NUT	101007	1		101007	1	101007	1	
63	SHOULDER BOLT	101008	2		101008	2	101008	2	
64	NYLON NUT	101009	2		101009	2	101009	2	
#	SLACK CHAIN KIT	91169	4		91169	4	91169	4	
	65 ROD - SLACK CHAIN	91170	1		91170	1	91170	1	
	66 HEX NUT	101006	2		101006	2	101006	2	
67	HYDRAULIC HOSE	91172	1		91172	1	91172	1	
68	ELBOW	60368	1		60368	1	60368	1	
69	ELBOW	105004	2		105004	2	105004	2	
#	HARDWARW KIT - POWER UNIT	95009	1		95009	1	95009	1	
	70 HHFL SCREW	100234	4		100234	4	100234	4	
	71 HH FL NUT	100237	4		100237	4	100237	4	
87	HYDRAULIC HOSE	91452	1		91452	1	91452	1	
88	MALE CONNECTOR	60052	1		60052	1	60052	1	
72	ANCHOR BOLT	95000	16		95000	16	95000	16	
73	SHIMS	95001	24		95001	24	95001	24	
74	PLASTIC TIE	103015	2		103015	2	103015	2	
75	POWER UNIT 1 PHASE 220V	95013	1		95013	1	95013	1	
#	POWER UNIT 3 PHASE 220/440V	95016	1		95016	1	95016	1	
#	NAME PLATE	62249	1		62249	1	62249	1	
#	BEN PEARSON DECAL 5X36 MYLAR	95005	2		95005	2	95005	2	
#	PB/800 DECAL 2X5 MYLAR	95006	1		95006	1	95006	1	
#	CAUTION DECAL 12000LB	95008	1		95008	1	95008	1	
#	BLUE TOUCH-UP PAINT (12OZ.) SPRAY	103007	1		103007	1	103007	1	
#	YELLOW TOUCH-UP PAINT (12OZ.) SPRAY	103008	1		103008	1	103008	1	
#	MANUAL	95053	1		95053	1	95053	1	
#	WARRANTY CARD	83423	1		83423	1	83423		
ACCESSORIES									
76	TURNTABLE KIT (Includes two)	90015	1		90015	1	N/A		
	TURNTABLE (each)	91416	2		91416	2	N/A		
#	AIRLINE KIT (FIG. 4)	90033	1		90033	1	N/A		
	77 ANCHOR COUPLING	105011	3		105011	3	N/A		
	78 STREET TEE X 1/4NPT	105012	1		105012	1	N/A		
	79 MALE BRANCH TEE	105013	1		105013	1	N/A		
	80 MALE CONNECTOR	105014	2		105014	2	N/A		
	81 COUPLER	105015	2		105015	2	N/A		
	82 CONNECTER	105016	2		105016	2	N/A		
	83 PIPE PLUG	105017	1		105017	1	N/A		
	84 AIR LINE	91410	1		91410	1	N/A		
	85 AIR LINE	91411	1		91411	1	N/A		
	86 COIL HOSE	105018	3		105018	3	N/A		

PANZITTA SALES & SERVICE

72 George Avenue

Wilkes-Barre, PA 18705

570-822-6720 800-822-6720

www.panzittasales.com