

PANZITTA SALES & SERVICE
72 George Avenue
Wilkes-Barre, PA 18705
570-822-6720 800-822-6720
www.panzittasales.com

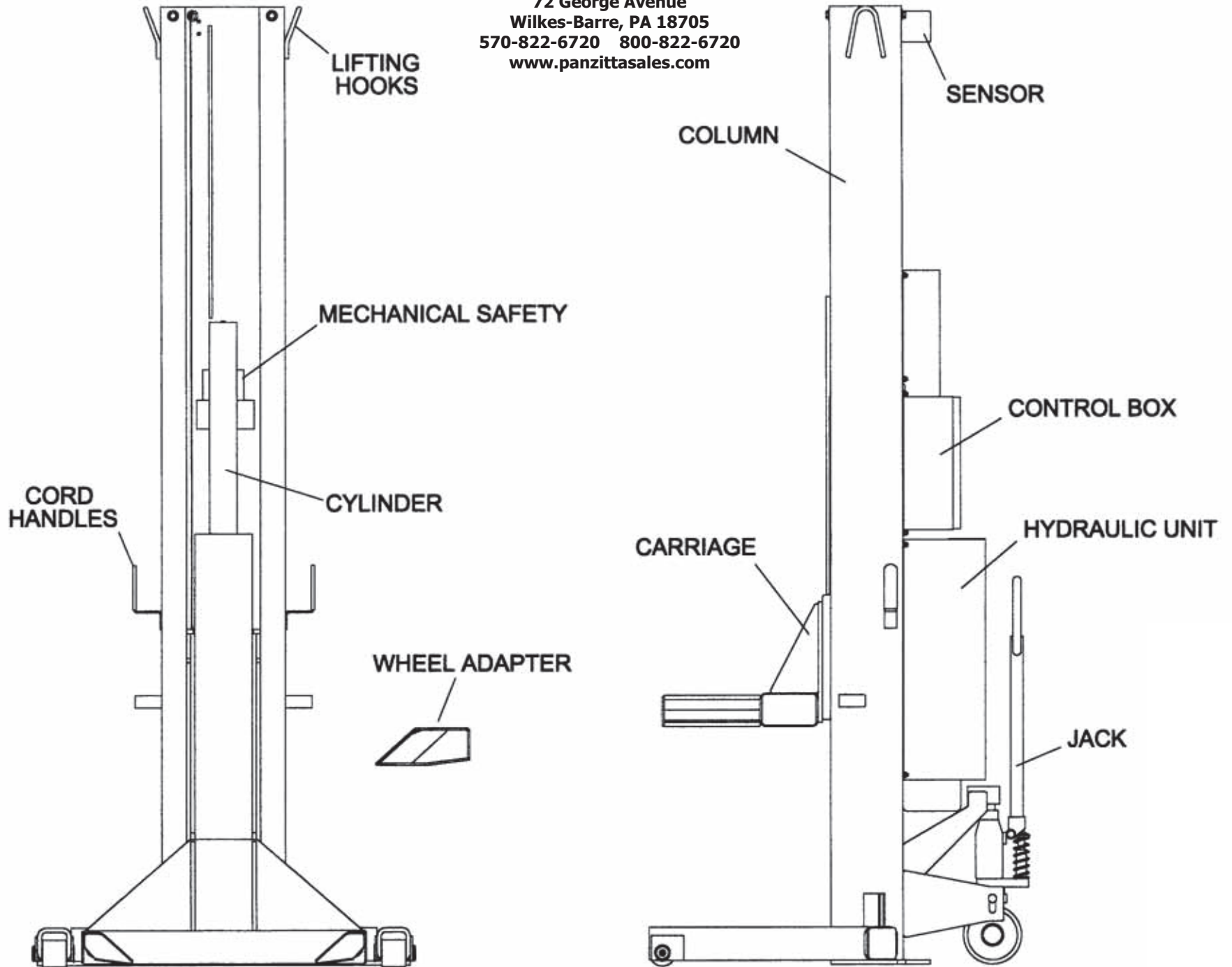
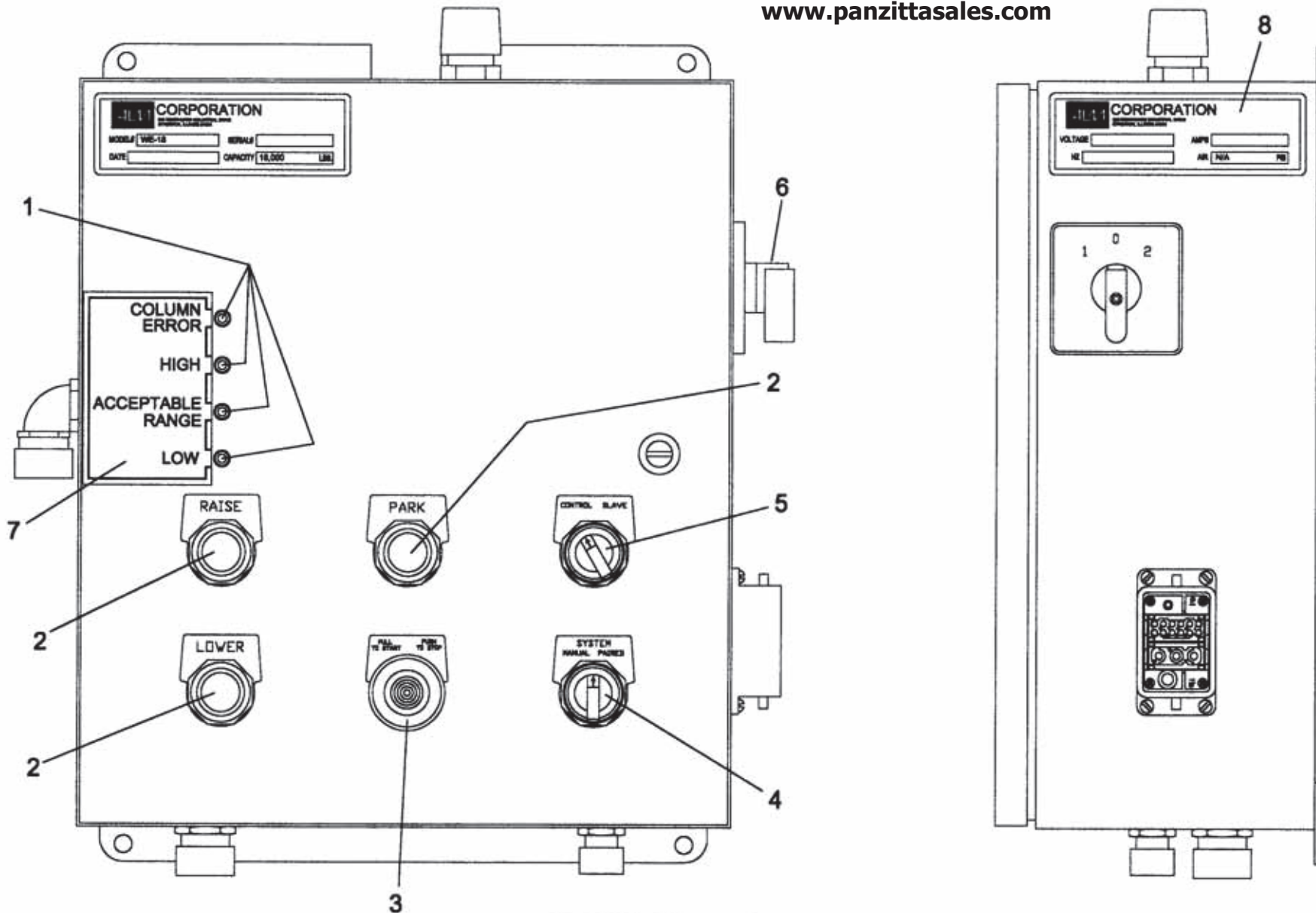
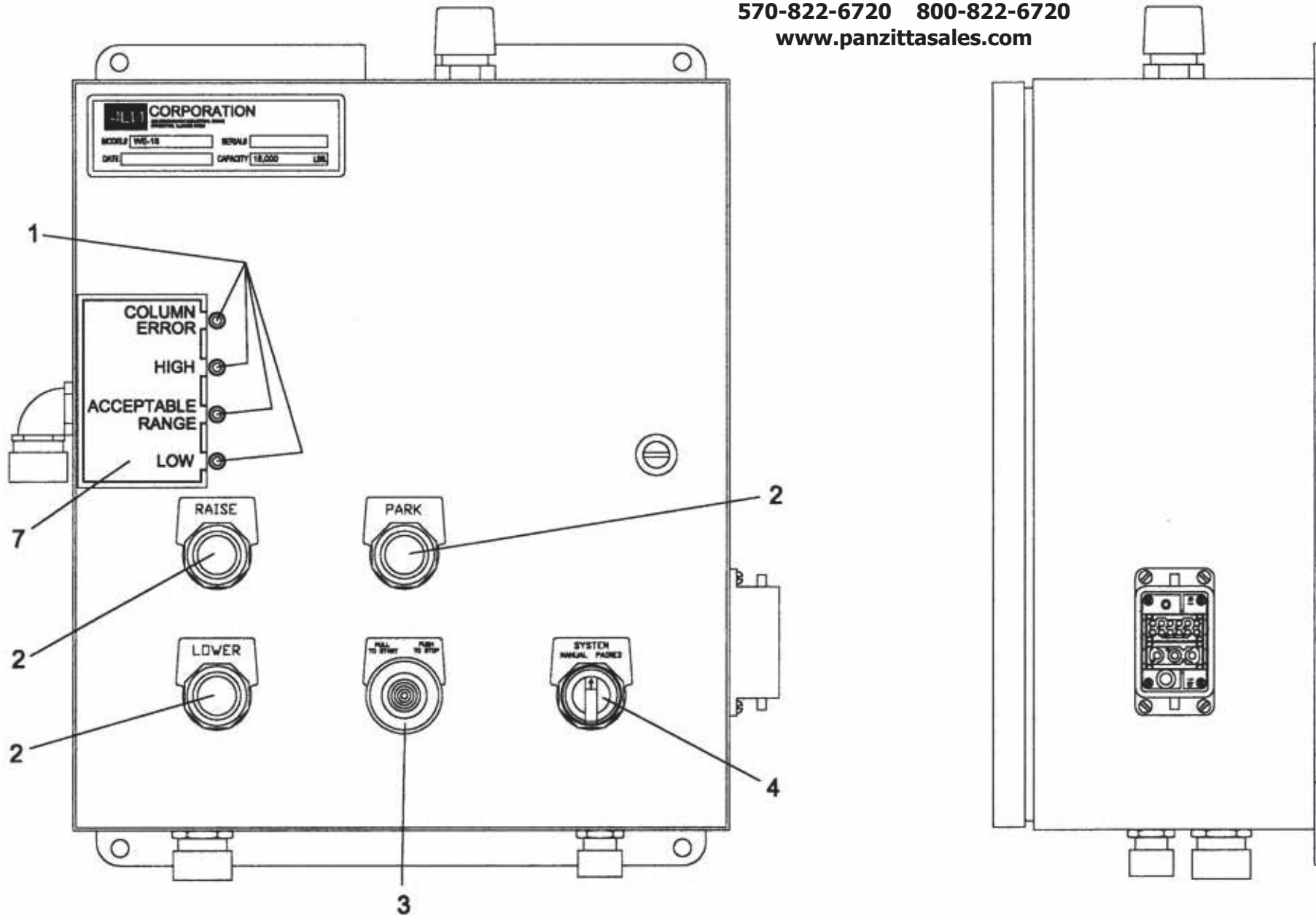


FIG. 1 MAIN COMPONENTS OF THE LIFTING COLUMN



CONTROL BOX
FIG. 2 PAGE 1 OF 2

MOST ITEMS FOR THIS LIFT, INCLUDING COMMUNICATION CABLES ARE NO LONGER AVAILABLE



SLAVE BOX

FIG. 2 PAGE 2 OF 2

MOST ITEMS FOR THIS LIFT, INCLUDING COMMUNICATION CABLES ARE NO LONGER AVAILABLE

Parts list for fig. 2

Ref #	Part Number	Description
1	A183020	Red Lens LED
	A183021	Green Lens LED
2	X00474	Push Button
3	X00475	E-Stop Palm Button
4	X00520	3 Position Selector Switch
5	X00476	2 Position Selector Switch
6	X00509	Power Switch
7	A00470	LED Label
8	A00235	ALM Service Decal

MOST ITEMS FOR THIS LIFT, INCLUDING COMMUNICATION CABLES ARE NO LONGER AVAILABLE

PANZITTA SALES & SERVICE
72 George Avenue
Wilkes-Barre, PA 18705
570-822-6720 800-822-6720
www.panzittasales.com

MOST ITEMS FOR THIS LIFT, INCLUDING COMMUNICATION CABLES ARE NO LONGER AVAILABLE

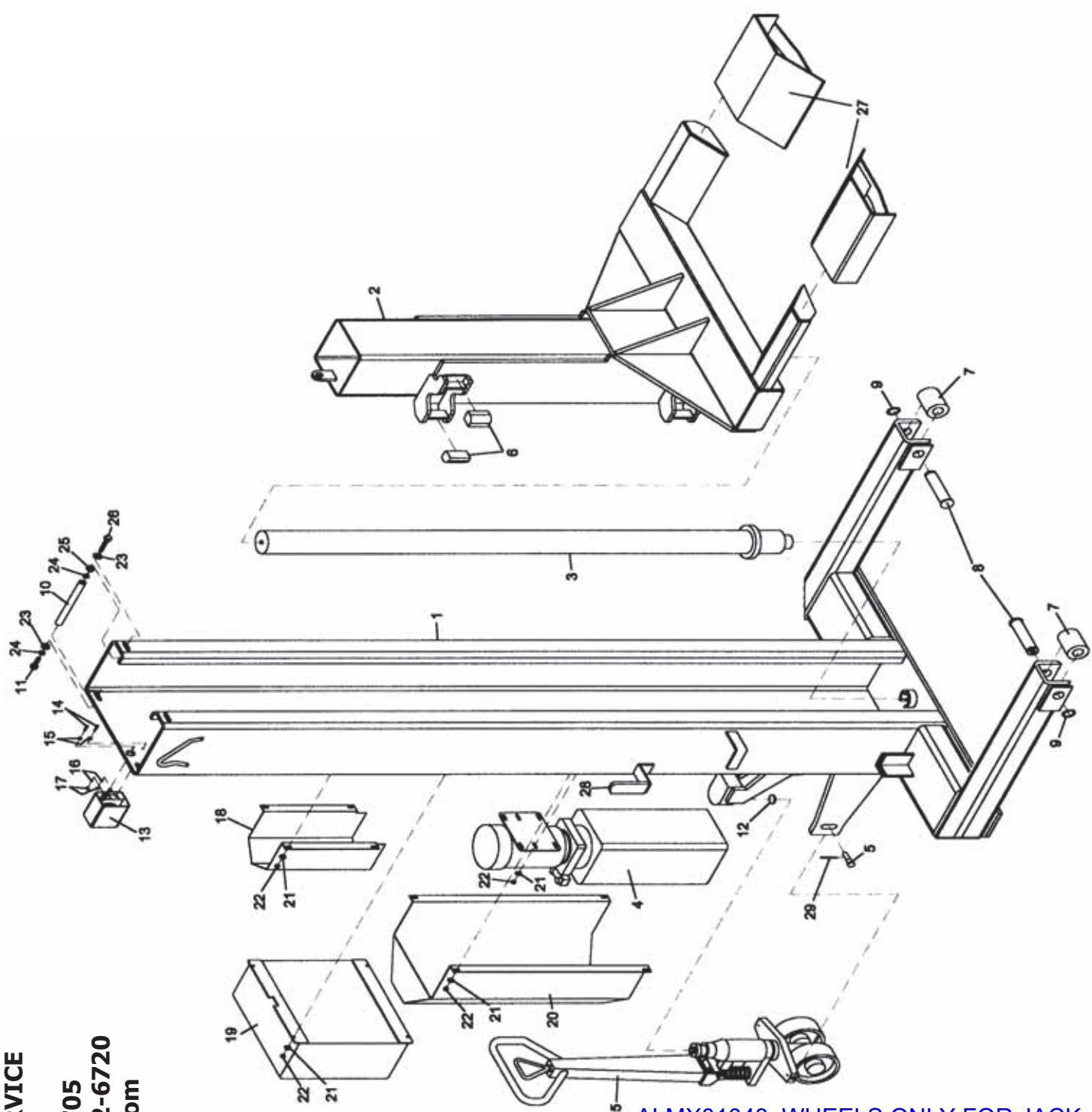


FIG. 5

PANZITTA SALES & SERVICE
72 George Avenue
Wilkes-Barre, PA 18705
570-822-6720 800-822-6720
www.panzittasales.com

ALMX01043 WHEELS ONLY FOR JACK

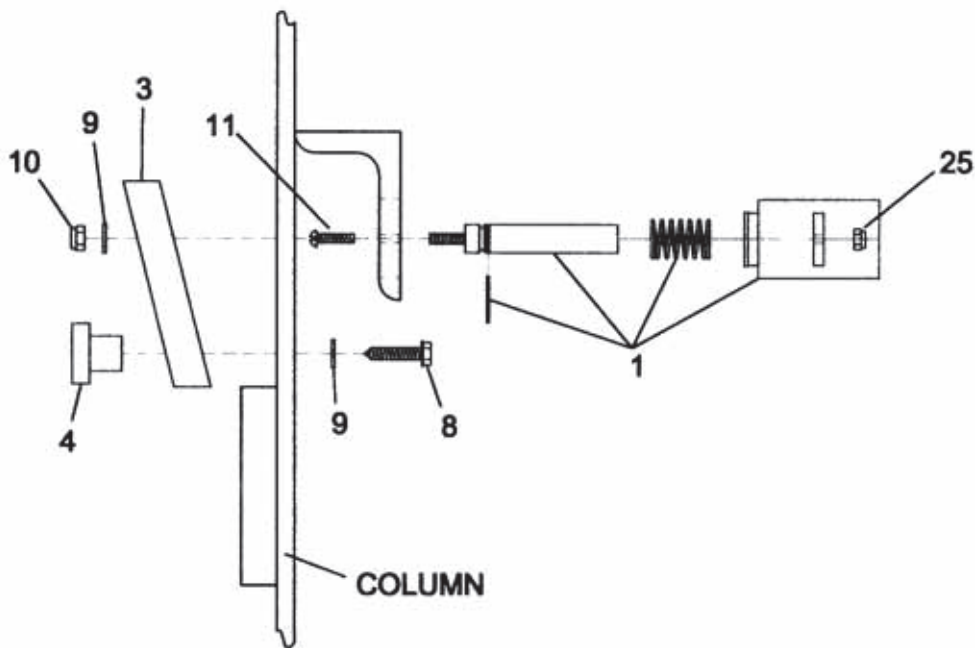
Parts list for fig. 5

Ref #	Part Number	Description
1	18-0006A	Column & Base Weldment
2	18-2005A	Carriage Weldment
3	A183002	Hydraulic Cylinder
4	A183003	Hydraulic Pump 230/460 VAC 3 PH 60/50HZ
	A183037	Hydraulic Pump 208/230 VAC 1 PH 60 HZ
	A183056	Hydraulic Pump 575 VAC 60/50 HZ
5	A183017A-01	Mobile Pump & Handle Assembly
6	92-115	Bearing Block
7	18-3015A	Nylon Caster Assembly
8	18-3013A	Caster Axle Weldment
9	A00461	Ø1-5/8 Snap Ring
10	18-3034	Column Tie Rod
11	A00008-10	Ø1/2-13 x 1-1/4" Hex Bolt
12	A180017	Ø1-5/16 Hardened Steel Disk
13	A183008	Cable Extension Transducer
14	A00176-12	#10-32 x 3/4" Round Head Machine Screw
15	A00157-10	#10 Washer
16	A00158-10	#10 Lock Washer
17	A00085-10	#10-32 Hex Nut
18	18-3031A	Safety Cover Weldment
19	18-3040A	WE-18 Control Box Assembly (Control Column Only)
	183041A	WE-18 Slave Box Assembly) (Slave Column Only)
20	18-3036A	Pump Cover Weldment
21	A00002-05	Ø5/16 Lock Washer
22	A00001-05	Ø5/16 Hex Nut
23	A00003-08	Ø1/2 Flat Washer
24	A00002-08	Ø1/2 Lock Washer
25	A00001-08	Ø1/2-13 Hex Nut
26	A00140-16	Ø1/2-13 x 2" Grd 8 Hex Bolt
27	18-9035A	Wheel Adapter
28	X00536	Cord Handle Cover
29	X00577	Ø1/8 x 2" Cotter Pin

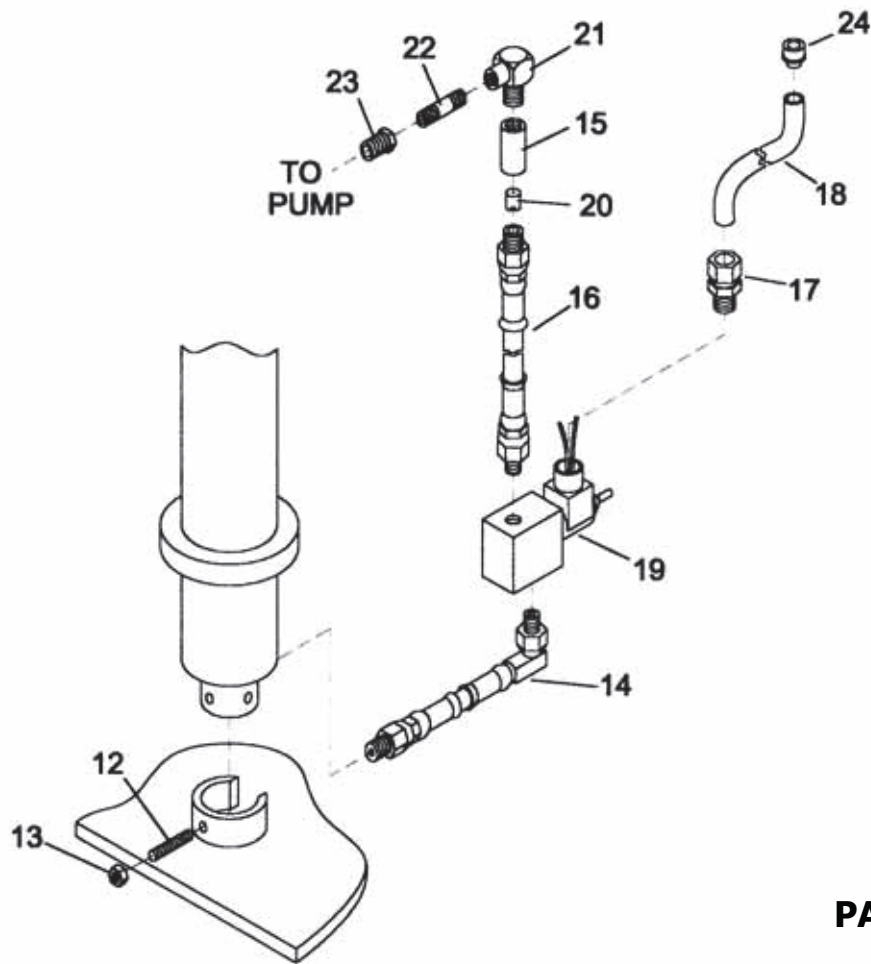
MOST ITEMS FOR THIS LIFT, INCLUDING COMMUNICATION CABLES ARE NO LONGER AVAILABLE

PANZITTA SALES & SERVICE
72 George Avenue
Wilkes-Barre, PA 18705
570-822-6720 800-822-6720
www.panzittasales.com

MOST ITEMS FOR THIS LIFT, INCLUDING COMMUNICATION CABLES ARE NO LONGER AVAILABLE



SAFETY ASSEMBLY FIG. 6



HYDRAULIC ASSEMBLY FIG. 7

PANZITTA SALES & SERVICE
72 George Avenue
Wilkes-Barre, PA 18705
570-822-6720 800-822-6720
www.panzittasales.com

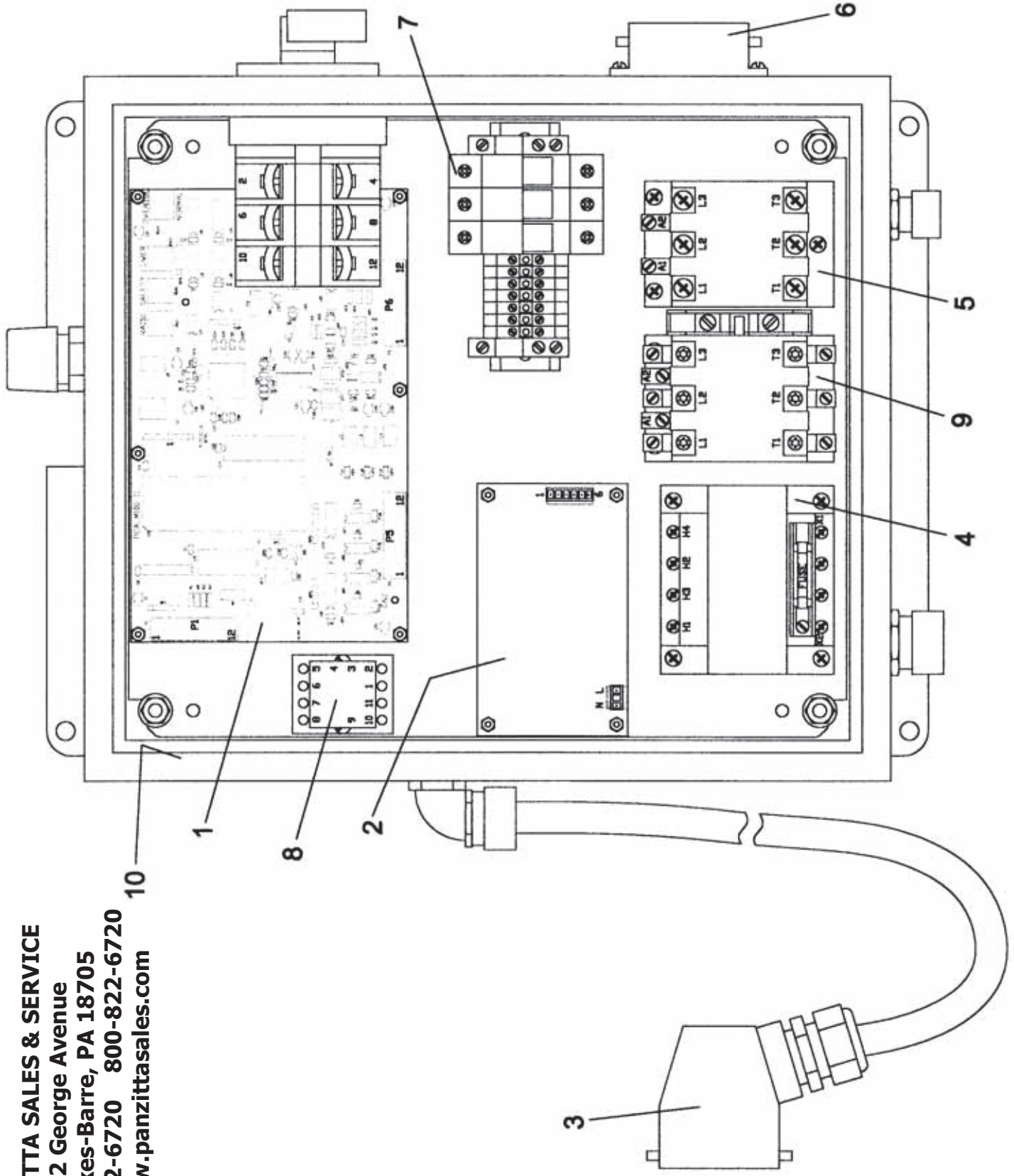
Parts list for fig. 6 & 7



Ref #	Part Number	Description
1	18-3038	Safety Solenoid, Spring, Clip & Modified Plunger
2		
3	18-3004	Safety Plate
4	18-3005	Safety Plate Retainer
5		
6		
7		
8	X00524	#12-24 x 1" Hex Head Slotted Self-Tapping Screw
9	A00003-01	1/4" Flat Washer
10	X00042	1/4-28 Nylock Nut
11	A00004-06	1/4 x 3/4 Hex Head Bolt
12	A00183-12	Ø3/8-16 x 1-1/2" Dog Point Set Screw
13	A00001-06	Ø3/8-16 Hex Nut
14	18-3047A	Hydraulic Hose Assembly
15	A93109-18	Ø3/8 NPT x 1-1/2" SCHL 80 Pipe Coupling
16	18-3042A-02	Hydraulic Hose Assembly
17	X00647	Ø3/8 - 1/2 NPT Liquidtite Conduit Connector
18	A00649-01	Ø3/8 Flexible Conduit
19	X00519	110V 2-Way N/C Solenoid w/Manual Override
20	12-3127	Orifice
21	A93109-12	Ø3/8 90 Street Elbow
22	A93109-19	Ø1/4 NPT x 1-1/2" SCHL 80 Pipe Nipple
23	X00368	Ø3/8 NPT - 1/4 NPT Female Reducer Bushing
24	X00648	Ø3/8 Conduit Ferrule
25	A00007-04	1/4" Nylock Nut

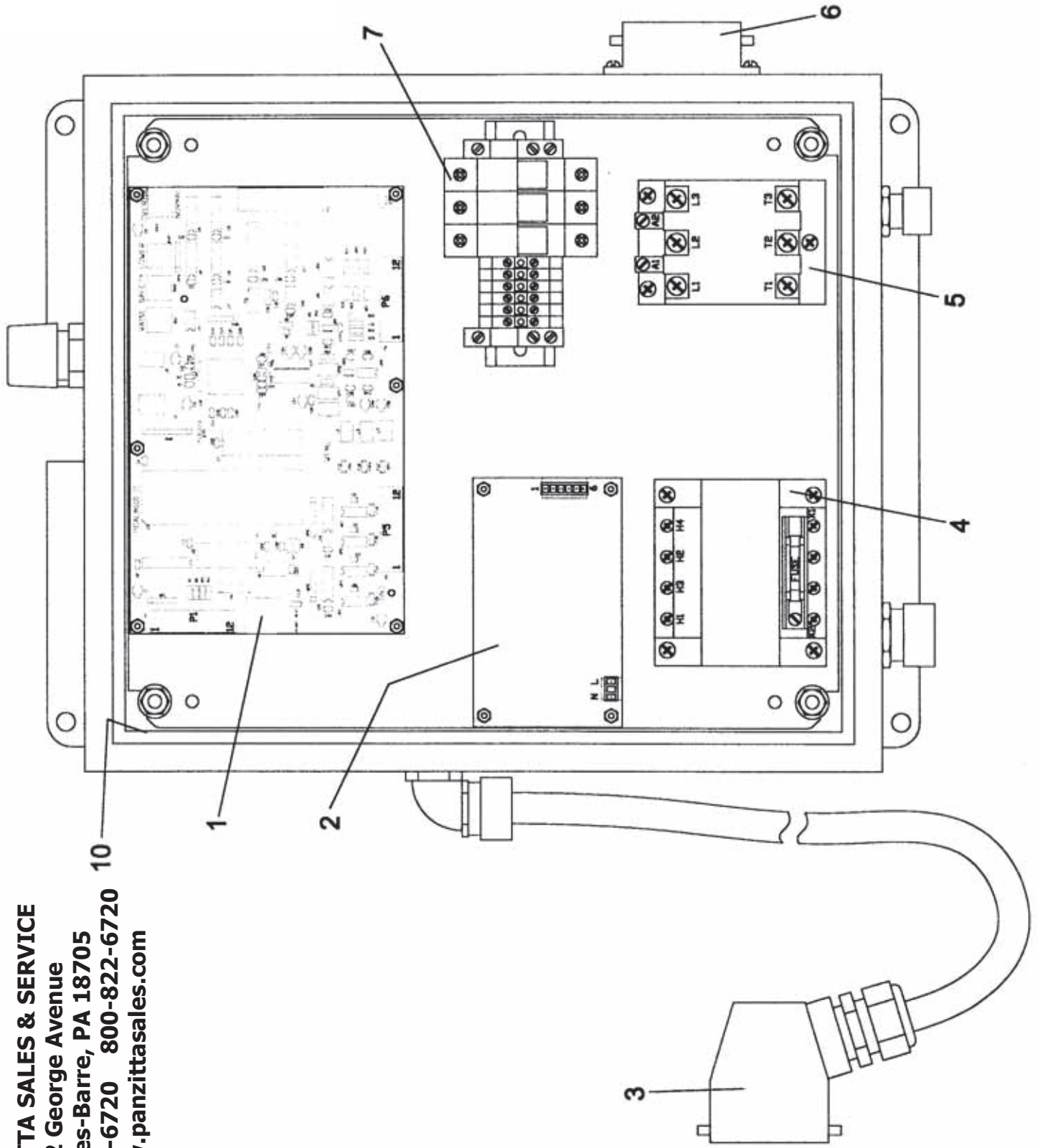
PANZITTA SALES & SERVICE
72 George Avenue
Wilkes-Barre, PA 18705
570-822-6720 800-822-6720
www.panzittasales.com

PANZITTA SALES & SERVICE
72 George Avenue
Wilkes-Barre, PA 18705
570-822-6720 800-822-6720
www.panzittasales.com



CONTROL BOX (INSIDE) FIG. 8 PAGE 1 OF 2

PANZITTA SALES & SERVICE
72 George Avenue
Wilkes-Barre, PA 18705
570-822-6720 800-822-6720
www.panzittasales.com



SLAVE BOX (INSIDE) FIG. 8 PAGE 2 OF 2

Parts list for fig. 8

Ref #	Part Number	Description
1	18-3055A	WE-18 Microprocessor/Chip/Software
2	A183006	Power Supply
3	18-3019A	Communication Cable Assembly
4	X00470	110V Transformer
	X00513	Fuse Block Assembly
	X00514	GGC6 Fuse
5	X00471	20A Contactor
6	18-3043A	Female Receptacle Assembly
7	X00508	Din Rail Mount 3 Fuse Holder
	*X00507	10A Fuse
	*X00569	20A Fuse
	*X00570	30A Fuse
8	X00472	11 Pin 110V Relay
	X00473	11 Pin Relay Socket
9	X00504	40A Contactor
	X00535	Auxiliary Contact
10	A183018-01	Bridge Rectifier

*Fuses vary by voltage

MOST ITEMS FOR THIS LIFT, INCLUDING COMMUNICATION CABLES ARE NO LONGER AVAILABLE

PANZITTA SALES & SERVICE
72 George Avenue
Wilkes-Barre, PA 18705
570-822-6720 800-822-6720
www.panzittasales.com