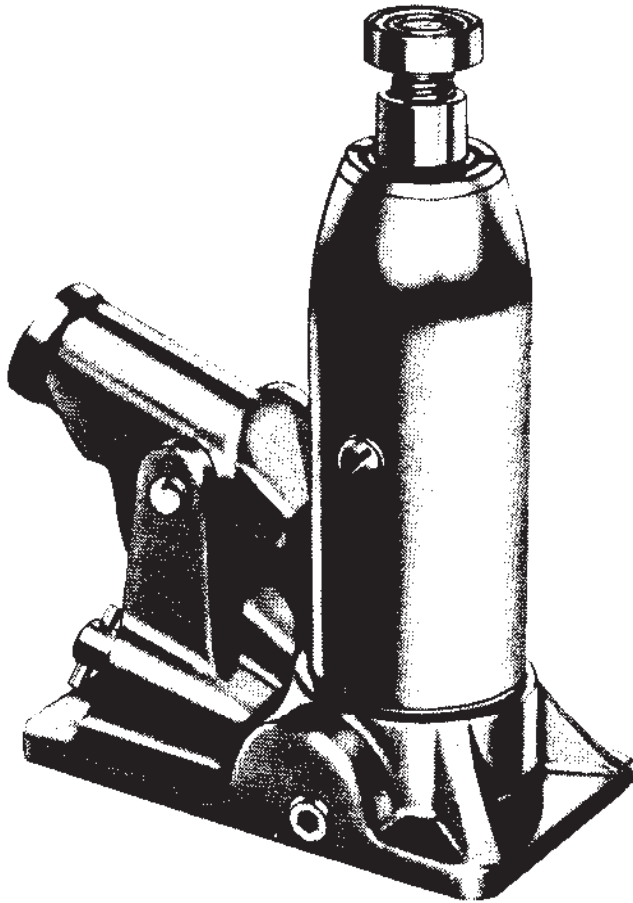


**PANZITTA SALES & SERVICE**  
72 George Avenue  
Wilkes-Barre, PA 18705  
570-822-6720 800-822-6720  
[www.panzittasales.com](http://www.panzittasales.com)

# **WALKER SERVICE DIVISION**

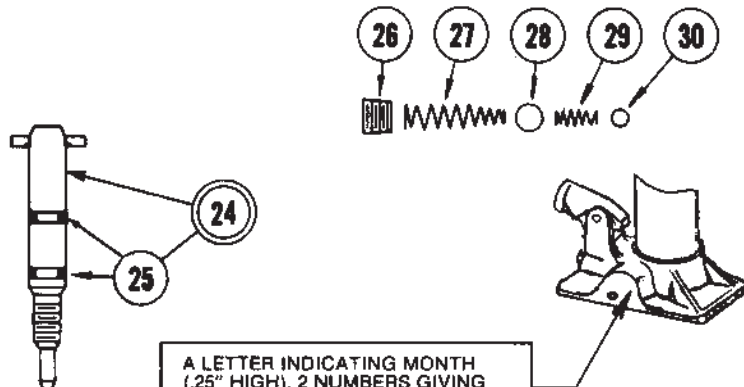
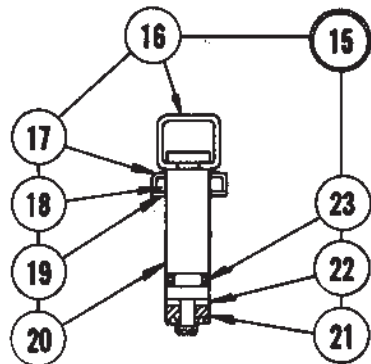
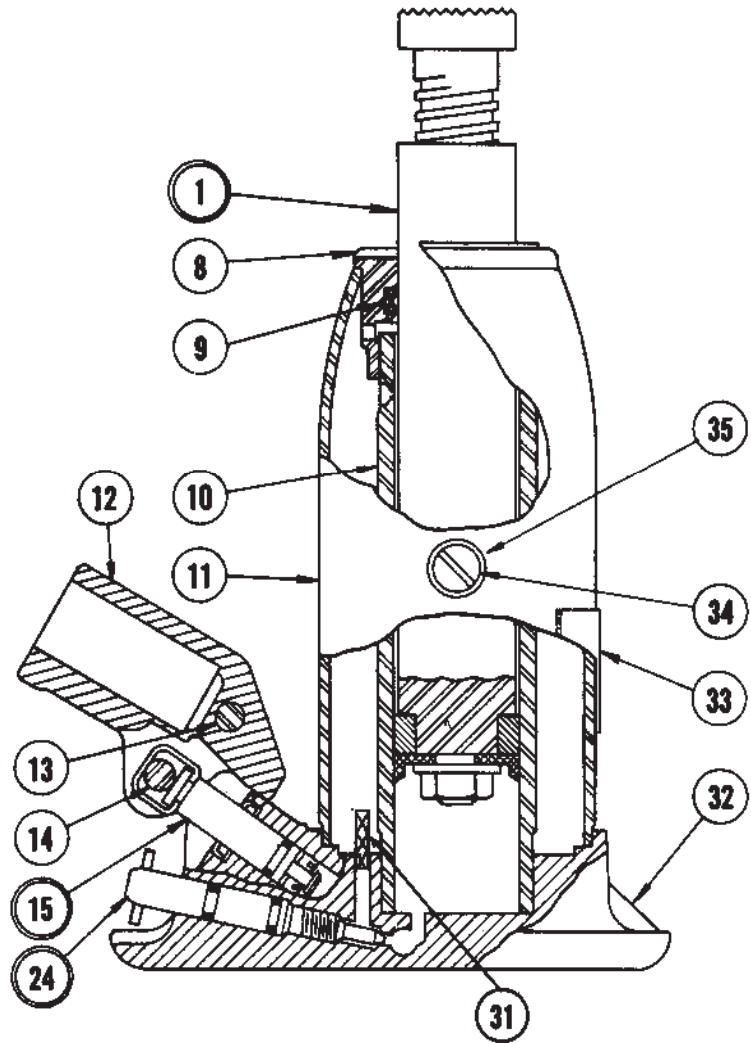
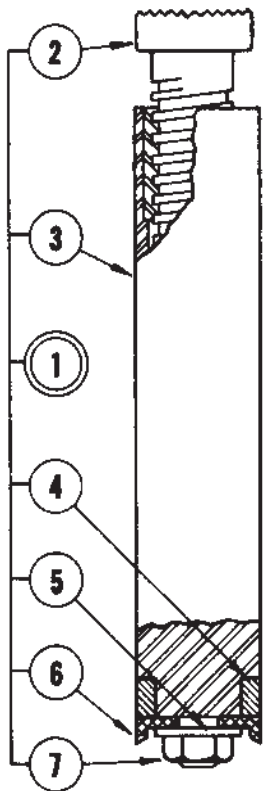
## **JACK PARTS MANUAL**

**MODELS J-906-S,  
J-925-S,  
J-930-S,  
J-935-S,  
J-945-S**



MODELS J-906-S, J-925-S, J-930-S, J-935-S, J-945-S

PANZITTA SALES & SERVICE  
 72 George Avenue  
 Wilkes-Barre, PA 18705  
 570-822-6720 800-822-6720  
 www.panzittasales.com



A LETTER INDICATING MONTH (.25" HIGH), 2 NUMBERS GIVING DAY OF THE MONTH AND 1 NUMBER SHOWING LAST NUMBER OF DECADE (EACH .19" HIGH) IS TO BE CLEARLY STAMPED AS FOLLOWS: ON THE TOP EDGE OF L.H. BASE PLATE 3"-4" IN FRONT OF COLUMN.

**NOTE: NEW "INSTRUCTION and CAUTION PLATE", must be replaced on every repair. (See Code Number 33 for Part Number)**

ORDER BY PART NUMBER, NOT BY CODE NUMBER

**MODELS J-906-S, J-925-S, J-930-S, J-935-S, J-945-S**

Code No.	Name of Parts	No. Req'd	1½ Ton Capacity	3 Ton Capacity	5 Ton Capacity	8 Ton Capacity	12 Ton Capacity
			Model J906-S	Model J925-S	Model J930-S	Model J935-S	Model J945-S
1	Ram Assembly	1	219991	224946	224950	224954	224958
2	Cap, Extension Screw & Nut	1	225352	224947	224951	224955	224959
3	Ram	1	218115	218119	217910	218127	218133
4	Heel Plate	1	224758	224759	224760	225642	218136
5	Washer	1	204218	204272	204286	204286	—
6	Cup Leather	1	214894	218123	217919	218129	214902
7	Cup Nut	1	203265	203271	203287	203287	226381
8	Tank Nut	1	226739	226740	226741	226742	226743
9	Ram Gland Quad Ring	1	226744	226745	226746	226747	226748
10	Ram Cylinder	1	226388	226378	226379	226380	226391
11	Oil Tank	1	218114	226389	226393	226392	218242
12	Handle Socket	1	218397	*217906	*217906	*217906	*217906
13	Fulcrum Pin—Handle Socket	1	220019	220019	220019	220019	220019
14	Pump Pin	1	220021	220021	220021	220021	220021
	Snap Rings—Pins	2	220018	220018	220018	220018	220018
15	Pump Assembly	1	226180	226180	226180	226180	227782
16	Pump Clip	1	209910	209910	209910	209910	209910
17	Pump Gland Cover	1	216258	216258	216258	216258	216258
18	Pump Gland Packing Ring	1	213149	213149	213149	213149	213149
19	Pump Gland Washer	1	204281	204281	204281	204281	204281
20	Piston Pump	1	226179	226179	226179	226179	227022
21	Rubber "U" Cup	1	214154	214154	214154	214154	214154
22	Leather Washer	1	214161	214161	214161	214161	214161
23	Rubber Seal Ring	1	214153	214153	214153	214153	214153
24	Release Assembly	1	218829	218829	218829	218829	222820
25	"O" Ring Seal	2	218776	218776	218776	218776	218776
26	Plug—½ N.P.T.	1	210311	210311	210311	210311	210311
27	Discharge Spring	1	222201	222201	227545	227545	227545
28	Discharge Ball (⅜ Dia.)	1	203201	203201	203201	203201	203201
29	Suction Spring	1	217909	217909	217909	217909	217909
30	Suction Ball (⅜ Dia.)	1	203197	203197	203197	203197	203197
31	Suction Screen	1	222088	221318	221318	221318	221318
32	Base	1	226515	226520	226516	226517	226519
33	Instruction & Caution Plate	1	224932	224932	224932	224932	224932
34	Filler Screw	1	212563	212540	212540	212540	212540
35	Filler Screw Gasket	1	210339	200003	200003	200003	200003
	Handle	1	10656	10667	10667	10667	10667

**NOTE: NEW "INSTRUCTION and CAUTION PLATE", must be replaced on every repair.**  
 (See Code Number 33 for Part Number)

\*Available in Malleable Iron Casting for special application, order Part No. 226610.

**REPAIR KITS**

- J-906-S Order RK-201-1
- J-925-S Order RK-212-1
- J-930-S Order RK-222-1
- J-935-S Order RK-232-1
- J-945-S Order RK-242-1

**PANZITTA SALES & SERVICE**  
**72 George Avenue**  
**Wilkes-Barre, PA 18705**  
**570-822-6720 800-822-6720**  
**www.panzittasales.com**

**MODELS J-906-S, J-925-S, J-930-S, J-935-S, J-945-S**

**NUMERICAL LISTING OF PARTS**

Part No.	Code No.	Part No.	Code No.	Part No.	Code No.	Part No.	Code No.
10656		217909	29	224760	4	226517	32
10667		217910	3	224932	33	226519	32
200003	35	217919	6	224946	1	226520	32
203197	30	218114	11	224947	2	226610	*12
203201	28	218115	3	224950	1	226739	8
203265	7	218119	3	224951	2	226740	8
203271	7	218123	6	224954	1	226741	8
203287	7	218127	3	224955	2	226742	8
204218	5	218129	6	224958	1	226743	8
204272	5	218133	3	224959	2	226744	9
204281	19	218136	4	225352	2	226745	9
204286	5	218242	11	225642	4	226746	9
209910	16	218379	12	226179	20	226747	9
210311	26	218776	25	226180	15	226748	9
210339	35	218829	24	226378	10	227022	20
212540	34	219991	1	226379	10	227545	27
212563	34	220018		226380	10	227782	15
213149	18	220019	13	226381	7		
214153	23	220021	14	226388	10		
214154	21	221318	31	226389	11		
214161	22	222088	31	226391	10		
214894	6	222201	27	226392	11		
214902	6	222820	24	226393	11		
216258	17	224758	4	226515	32		
217906	12	224759	4	226516	32		

ORDER BY PART NUMBER, NOT BY CODE NUMBER

**PANZITTA SALES & SERVICE**  
**72 George Avenue**  
**Wilkes-Barre, PA 18705**  
**570-822-6720 800-822-6720**  
**www.panzittasales.com**