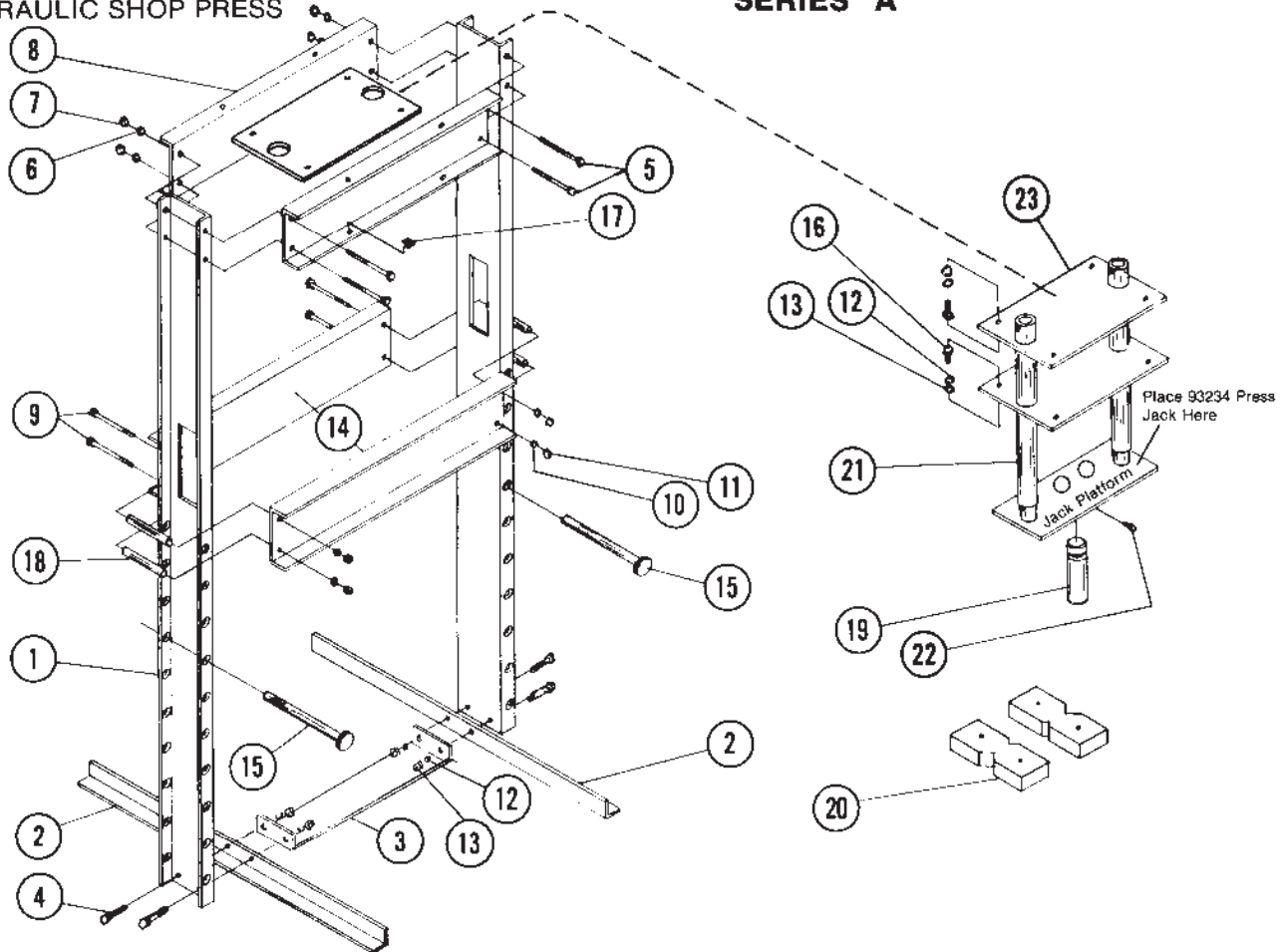


# WALKER

# SERVICE DIVISION

## Jack Parts Sheet MODEL 93618 (was J842) SERIES "A"

25 TON CAPACITY  
HYDRAULIC SHOP PRESS



Code No.	Part No.	Description	No. Req'd.	Code No.	Part No.	Description	No. Req'd.
1	227310	Sidepost	2	13	203348	Nut 1/2-13	12
2	227305	Base	2	14	227299	Bed Channel	2
3	225308	Link Strap	1	15	227303	Pin	2
4	225225	Bolt 1/2-13 x 1-1/4	4	16	212675	Bolt 1/2-13 x 1-1/2	8
5	227298	Bolt 5/8-11 x 6-1/2	4	17	225469	Washer - Beveled	8
6	201110	Lockwasher 5/8	4	18	227302	Spacer	4
7	203352	Nut 5/8-11	4	19	227332	Stud	1
8	227296	Cross Member	2	20	227307	Arbor Plate Assembly	2
9	227301	Bolt 3/8-24	4	21	227284	Head Assembly	1
10	209964	Lockwasher 3/8	4	22	205374	Set Screw 5/16-18 x 7/8	1
11	203275	Nut 3/8-24	4	23	227294	Top Plate	1
12	225254	Lockwasher 1/2	12				

ORDER BY PART NUMBER, NOT BY CODE NUMBER

PANZITTA SALES & SERVICE

72 George Avenue

Wilkes-Barre, PA 18705

570-822-6720 800-822-6720

www.panzittasales.com